



US00D554642S

(12) **United States Design Patent** (10) **Patent No.:** **US D554,642 S**
Suwalski et al. (45) **Date of Patent:** **** Nov. 6, 2007**

(54) **ADAPTER FOR COUPLING AN ELECTRICAL CONNECTOR WITH A PORTABLE TERMINAL**

4,619,491 A 10/1986 Drogo
4,620,760 A 11/1986 Duncan
4,649,332 A 3/1987 Bell

(Continued)

(75) Inventors: **Henry J. Suwalski**, Cranberry Township, PA (US); **Andres Viduya**, Cranberry Township, PA (US); **Lonnie Clyde Pogue**, San Diego, CA (US); **Marco Alexander Schilling**, El Cajon, CA (US)

OTHER PUBLICATIONS

VOCOLLECT, Wearable Computers Talkman T2x Wearable Computer, product brochure, Sep. 2005 (4 pages).

(Continued)

(73) Assignee: **Vocollect, Inc.**, Pittsburgh, PA (US)

Primary Examiner—M. H. Tung

Assistant Examiner—Susan Moon Lee

(**) Term: **14 Years**

(74) *Attorney, Agent, or Firm*—Wood, Herron & Evans, LLP

(21) Appl. No.: **29/253,074**

(57) **CLAIM**

(22) Filed: **Feb. 1, 2006**

We claim the ornamental design for an adapter for coupling an electrical connector with a portable terminal, as shown and described.

(51) **LOC (8) Cl.** **14-02**

(52) **U.S. Cl.** **D14/434**

(58) **Field of Classification Search** D14/434, D14/447, 432, 433, 385, 357, 251; D13/199, D13/107, 108, 118, 147, 162, 173, 168; 361/600, 361/679, 683, 686, 681; 320/113–115; 439/638, 439/180, 159, 352, 350, 357; 277/637, 647; D19/32; D18/12, 4.4, 349, 373, 394; D8/373, D8/354; D6/567

DESCRIPTION

FIG. 1 is a reduced left side view of an adapter for coupling an electrical connector with a portable terminal showing our new design;

FIG. 2 is an enlarged left side view of the adapter of FIG. 1;

FIG. 3 is a front view of the adapter of FIGS. 1 and 2;

FIG. 4 is a reduced front view of the adapter similar to FIG. 3 with the portable terminal shown;

FIG. 5 is a right side view of the adapter of FIGS. 1 and 2;

FIG. 6 is a top plan view of the adapter of FIGS. 1 and 2;

FIG. 7 is a bottom plan view of the adapter of FIGS. 1 and 2; and,

FIG. 8 is a rear view of the adapter of FIGS. 1 and 2.

The elements shown in broken lines, including the portable terminal and the electrical connector, form no part of the claimed invention, and are instead included to show environmental aspects of the claimed invention.

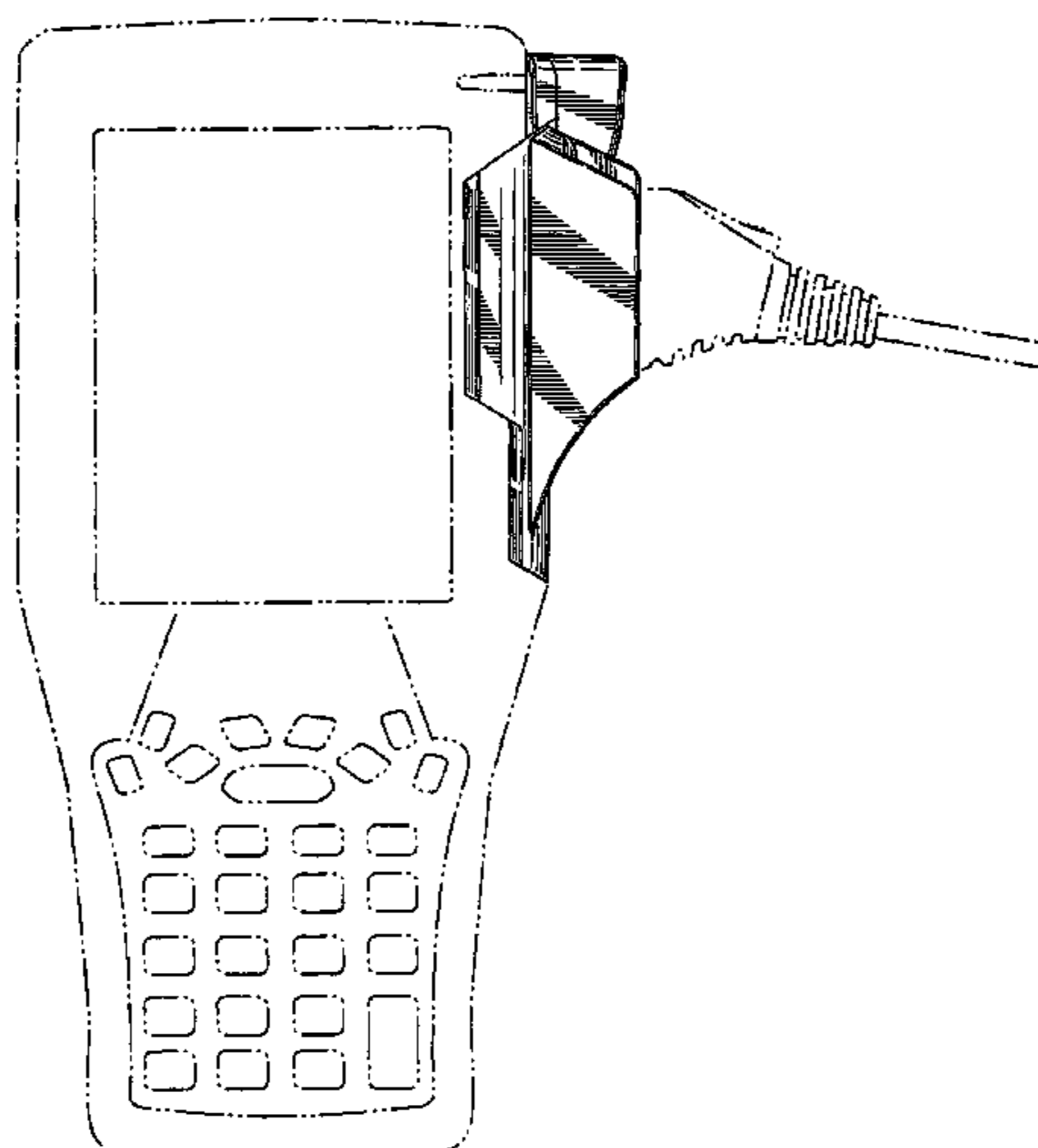
See application file for complete search history.

(56) **References Cited**

U.S. PATENT DOCUMENTS

1,753,317 A	4/1930	Rothen	
2,170,287 A	8/1939	Kinnebrew	
2,369,860 A	2/1945	Schroeder	
3,363,214 A	1/1968	Wright	
3,781,039 A	12/1973	Locke et al.	
3,786,397 A	1/1974	Bridges	
3,808,577 A	4/1974	Mathauser	
3,964,771 A	6/1976	Baudouin	
4,068,913 A	1/1978	Stanger et al.	
4,558,864 A	12/1985	Medwedeff	
D285,439 S *	9/1986	Nagele D14/217

1 Claim, 3 Drawing Sheets



US D554,642 S

Page 2

U.S. PATENT DOCUMENTS

4,698,717	A	10/1987	Scheid				
4,846,714	A	7/1989	Welsby et al.				
4,874,316	A	10/1989	Kamon et al.				
D310,367	S *	9/1990	Dockery	D14/217		
5,024,604	A	6/1991	Savin et al.				
5,052,943	A *	10/1991	Davis	439/357		
5,187,645	A *	2/1993	Spalding et al.	361/686		
D336,417	S *	6/1993	Yuen et al.	D8/373		
5,371,679	A	12/1994	Abe et al.				
5,393,239	A	2/1995	Ursich				
5,399,102	A	3/1995	Devine				
5,456,611	A	10/1995	Henry et al.				
5,462,452	A	10/1995	Devine				
5,478,252	A	12/1995	Lecomte et al.				
5,480,313	A	1/1996	d'Alayer de Costemore d'Arc				
5,501,571	A	3/1996	Van Durrett et al.				
5,517,683	A *	5/1996	Collett et al.	455/575.1		
5,639,256	A	6/1997	Endo et al.				
5,657,459	A *	8/1997	Yanagisawa et al.	361/681		
5,665,485	A *	9/1997	Kuwayama et al.	429/100		
D391,937	S *	3/1998	Rosen	D14/452		
5,803,750	A	9/1998	Purington et al.				
D411,171	S *	6/1999	Tai Muan	D13/147		
5,934,911	A	8/1999	Stout et al.				
5,941,726	A	8/1999	Koegel et al.				
5,941,729	A	8/1999	Sri-Jayantha				
5,984,709	A	11/1999	Zink et al.				
5,993,246	A	11/1999	Moldenhauer et al.				
D420,325	S *	2/2000	Sloey	D13/133		
6,022,237	A	2/2000	Esh				
6,062,891	A	5/2000	Villiers				
6,149,451	A	11/2000	Weber				
6,213,808	B1	4/2001	Whatmore et al.				
6,226,622	B1	5/2001	Dabbiere				
6,237,051	B1	5/2001	Collins				
6,290,529	B1 *	9/2001	Tsurumaru et al.	439/374		
6,304,436	B1	10/2001	Branch et al.				
6,310,888	B1	10/2001	Hamlin				
6,339,764	B1	1/2002	Livesay et al.				
6,364,675	B1	4/2002	Brauer et al.				
6,366,450	B1 *	4/2002	Janicek	361/680		
D460,761	S *	7/2002	Croley	D14/434		
6,454,608	B1	9/2002	Kitahara et al.				
6,483,698	B1 *	11/2002	Loh	361/686		
D474,736	S *	5/2003	Sagawa	D13/108		
D476,359	S *	6/2003	Mittler	D18/12		
D477,604	S *	7/2003	Lin	D14/434		
6,597,577	B1 *	7/2003	Tang et al.	361/724		
D491,186	S *	6/2004	Arakaki et al.	D14/432		
6,786,743	B2	9/2004	Huang				
6,910,911	B2	6/2005	Mellott et al.	439/358		
6,910,922	B2	6/2005	Haga				
D507,794	S *	7/2005	Wang et al.	D14/434		
2004/0002243	A1	1/2004	Mellott et al.				

OTHER PUBLICATIONS

Photographs of Vocollect Talkman T2x Wearable Computer (circa 2002) (2 pages).

* cited by examiner

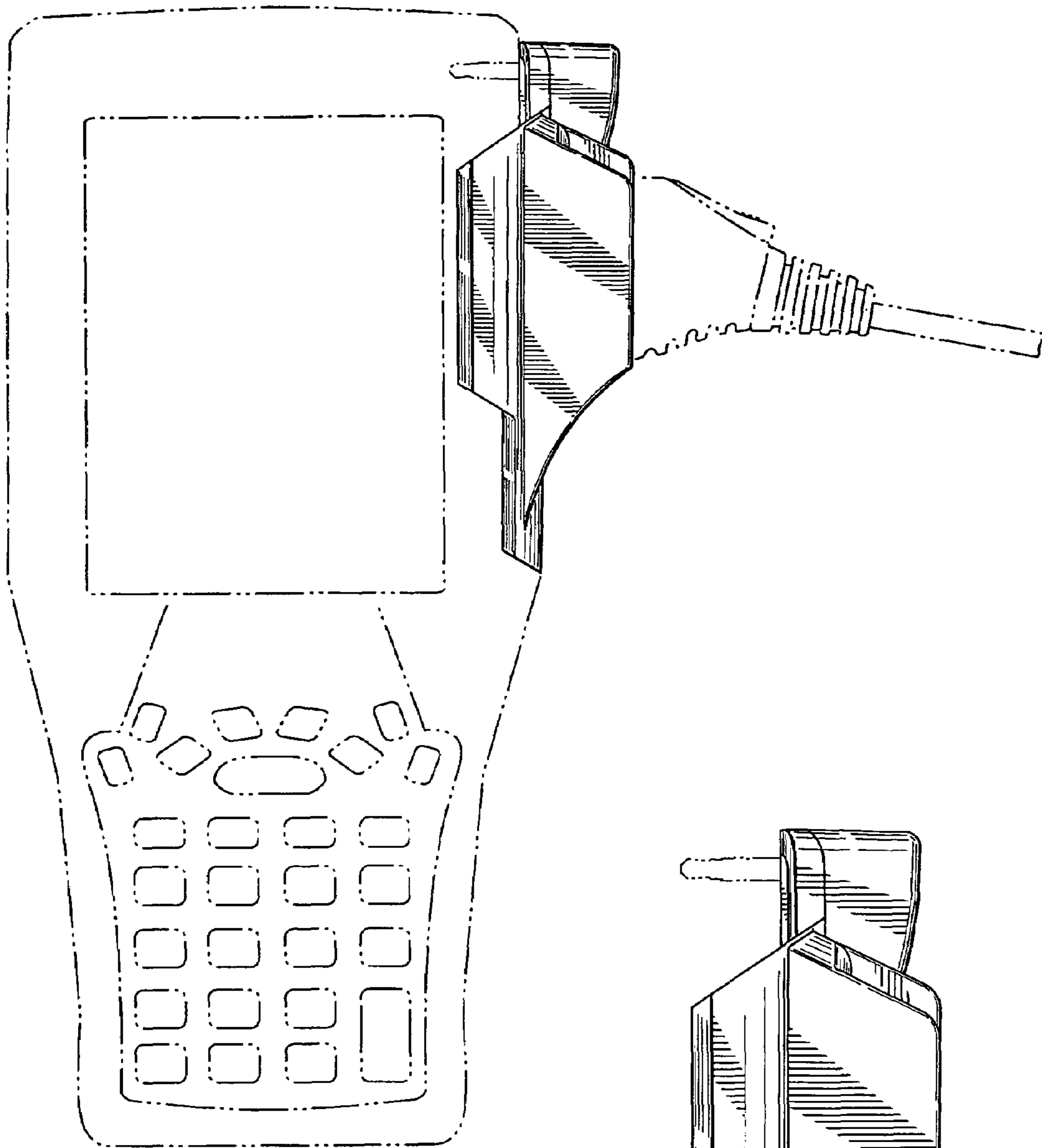


FIG. 1

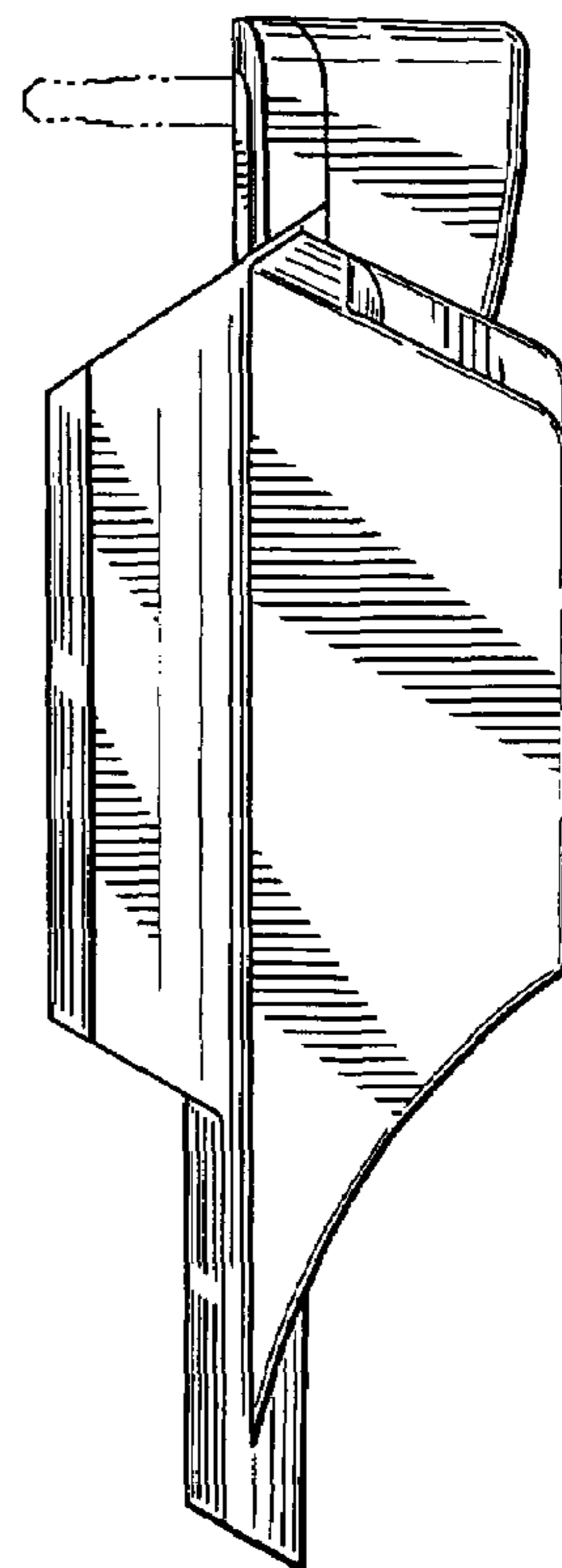


FIG. 2

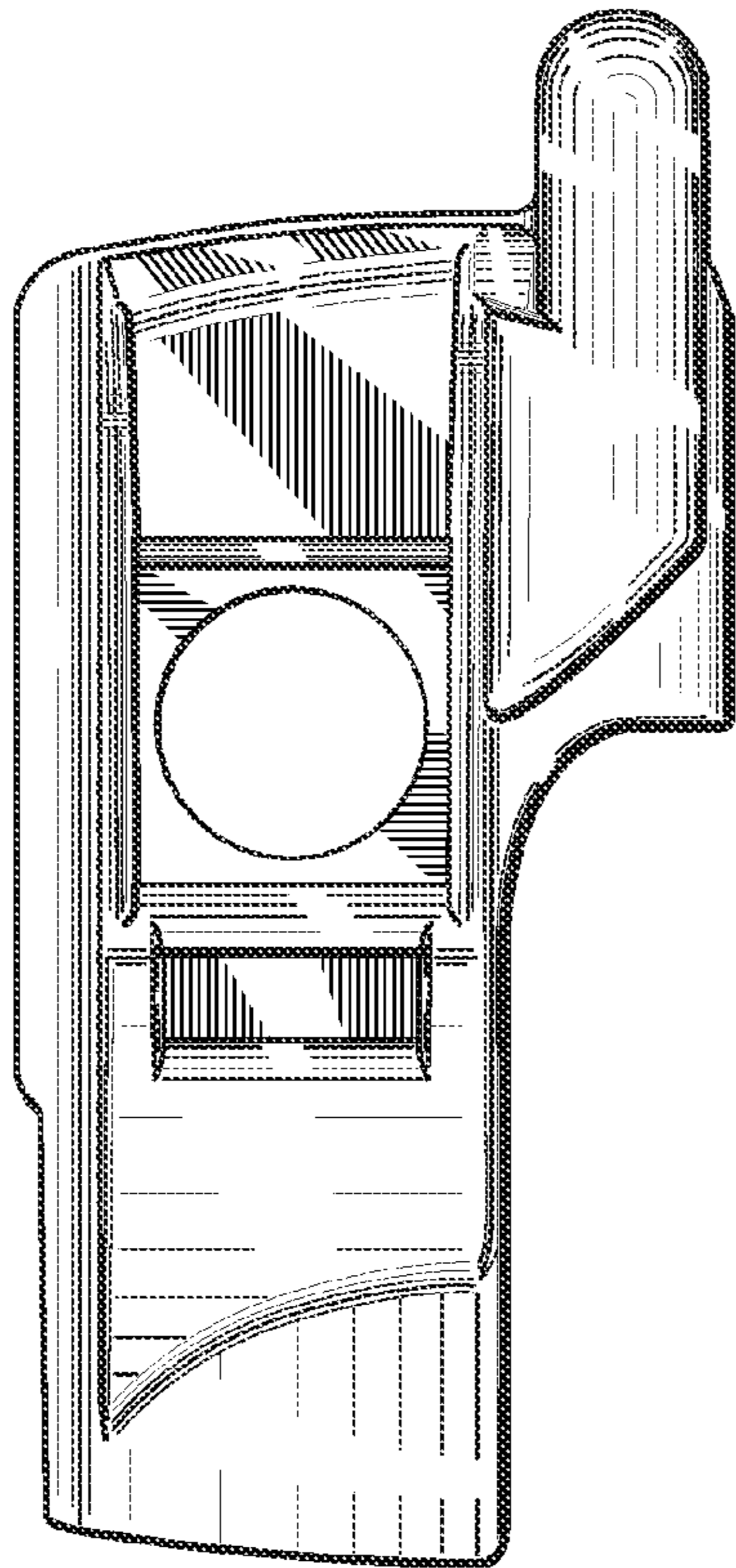


FIG. 3

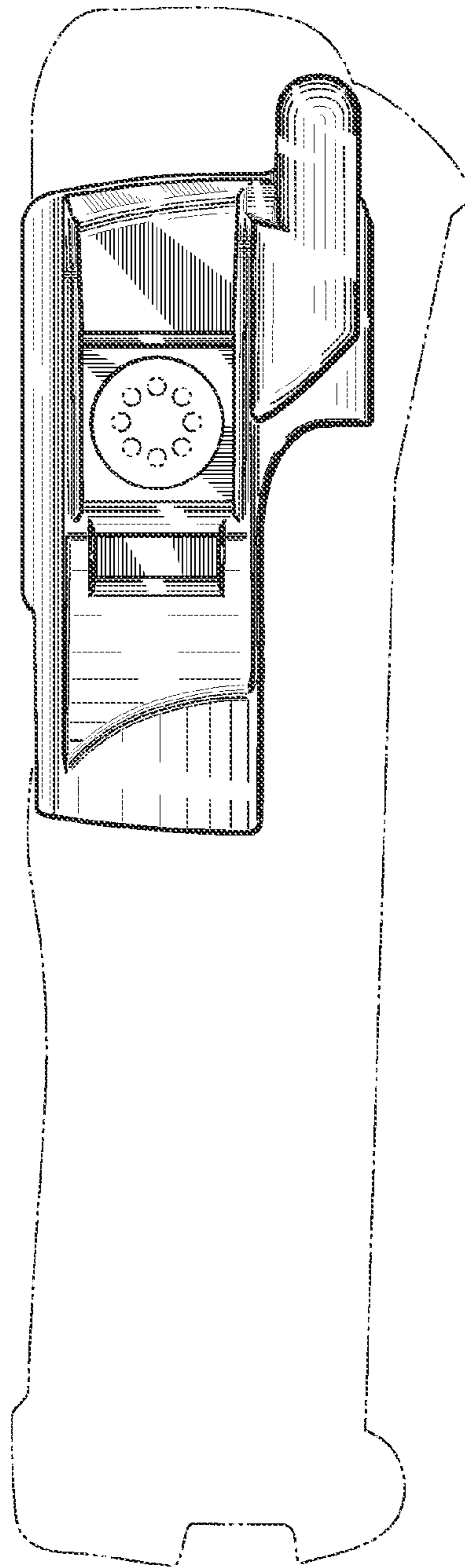


FIG. 4

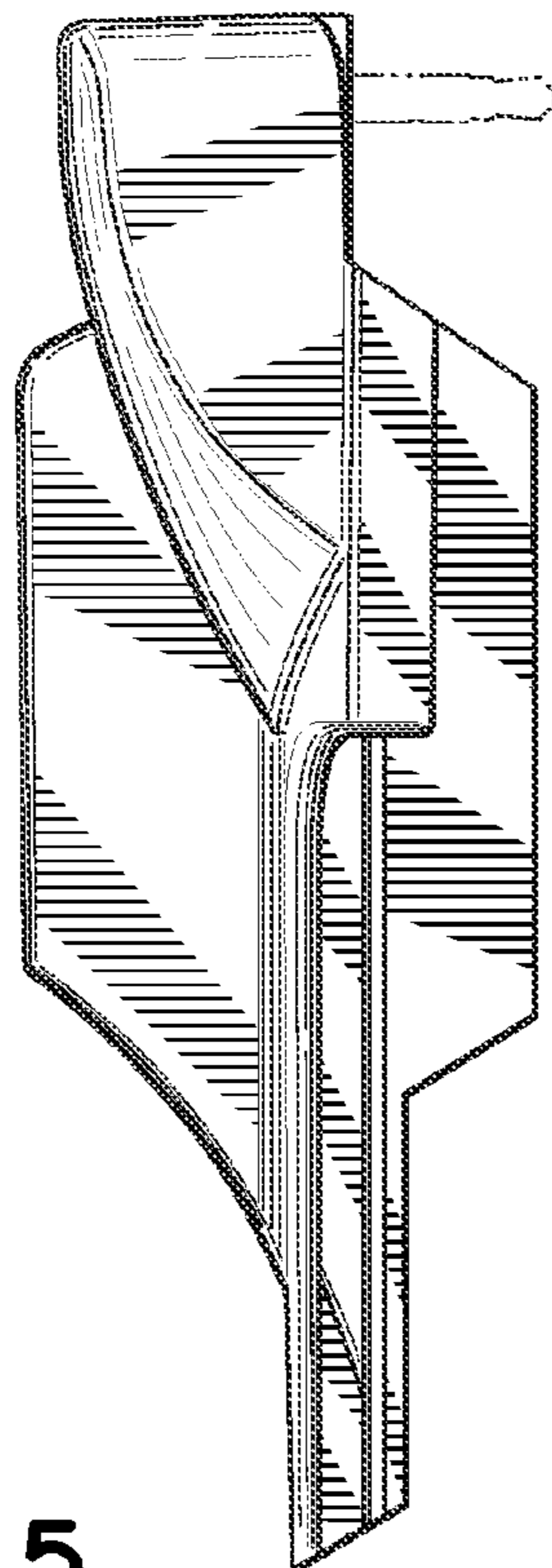


FIG. 5

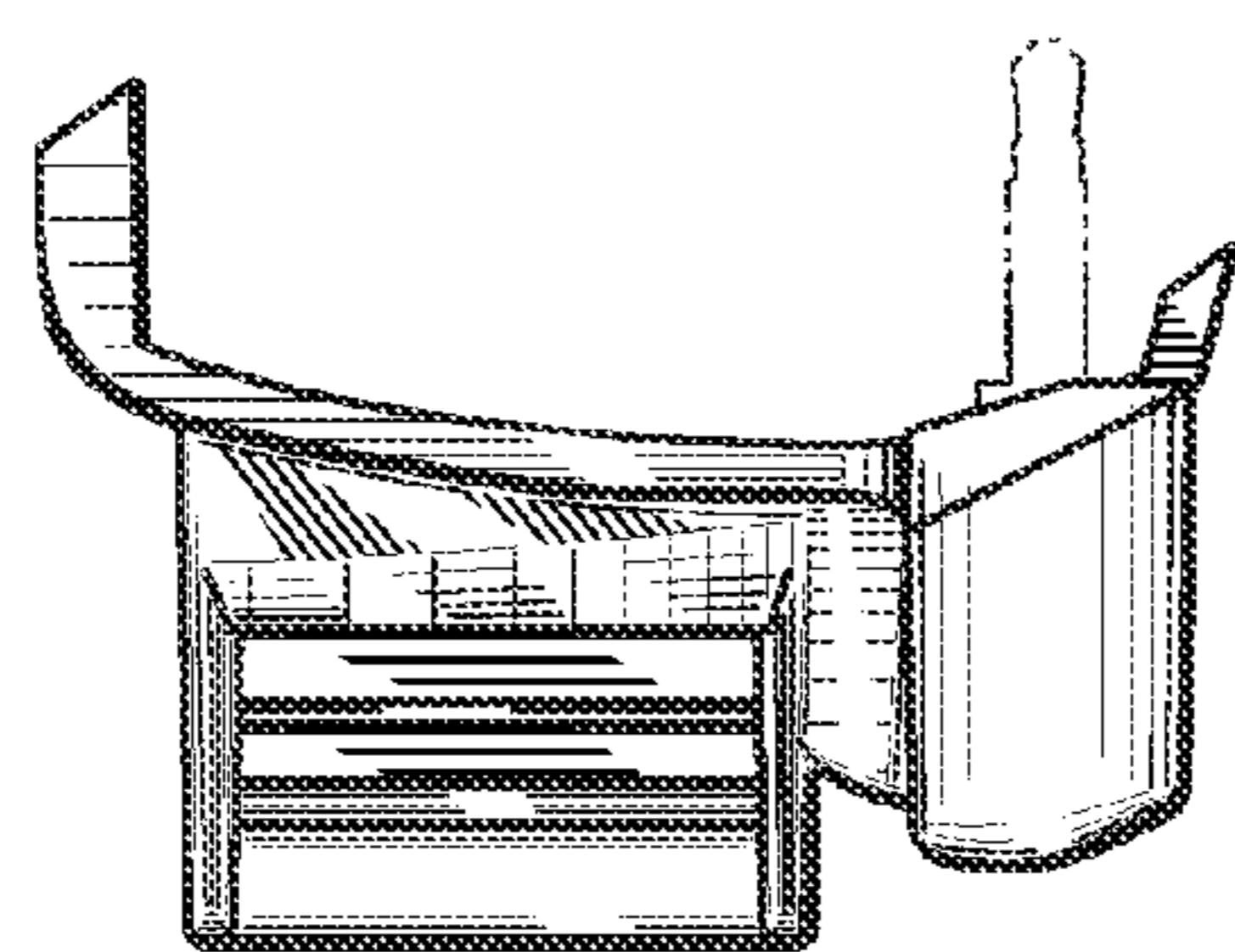


FIG. 6

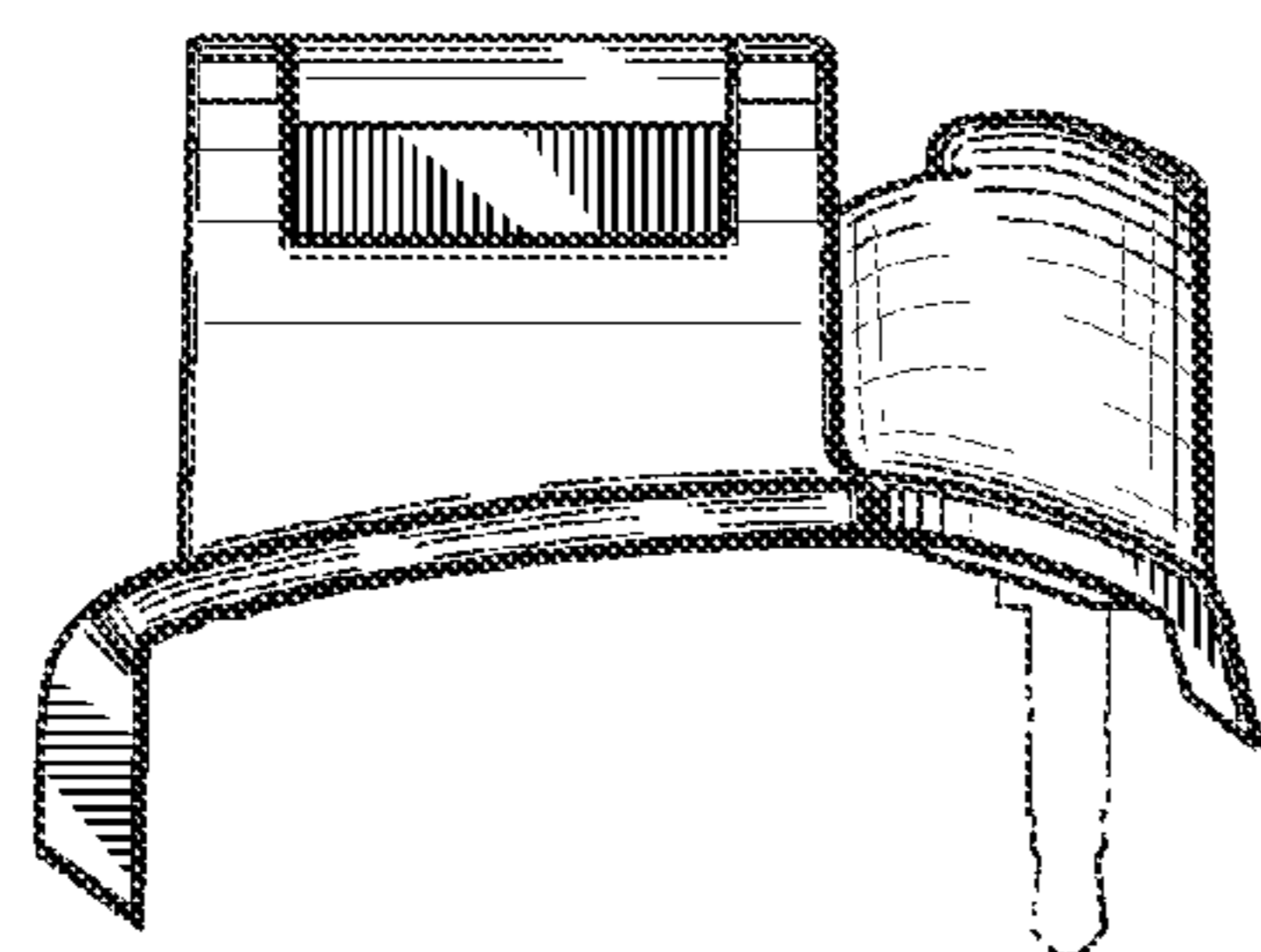


FIG. 7

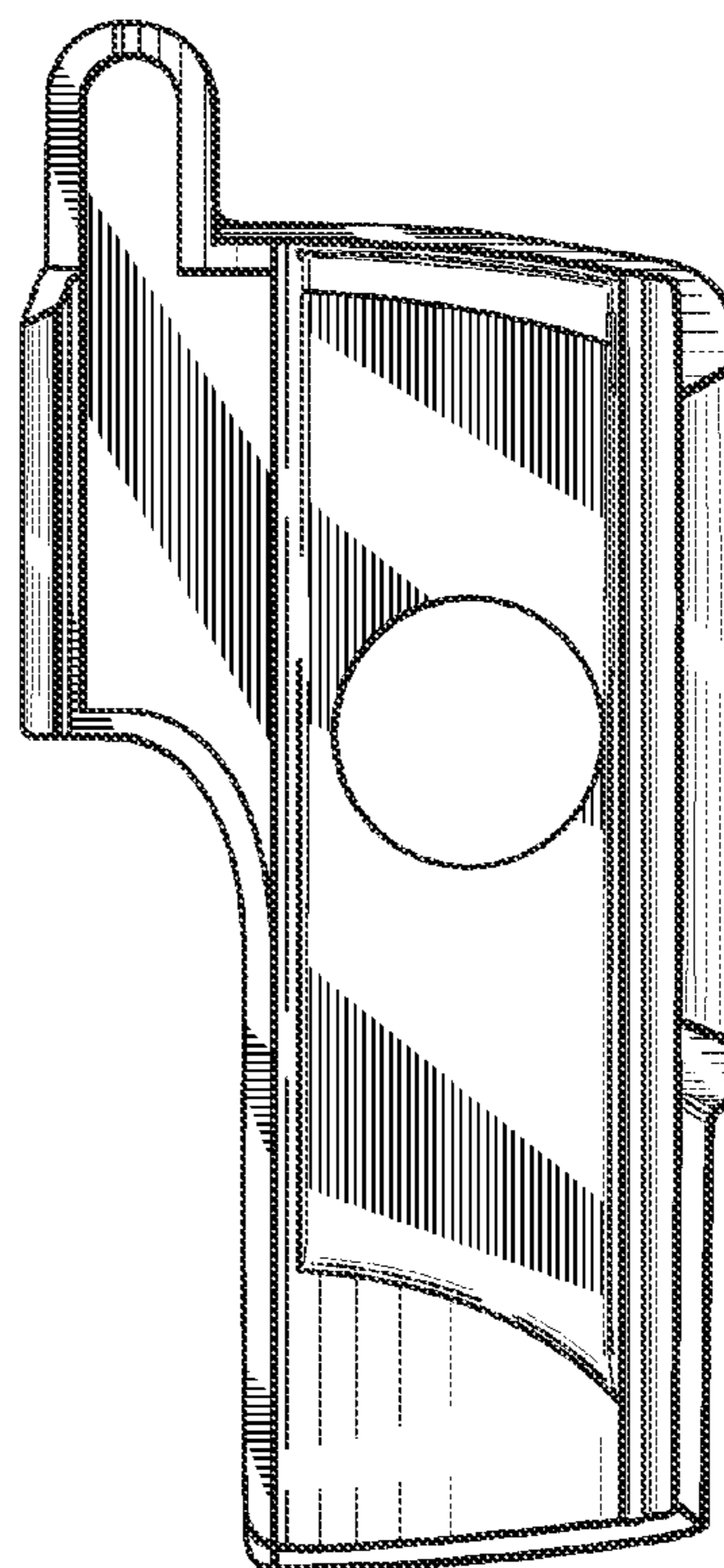


FIG. 8