



US00D554641S

(12) **United States Design Patent** (10) **Patent No.:** **US D554,641 S**
Miller et al. (45) **Date of Patent:** **** Nov. 6, 2007**

(54) **RING-LIKE WEARABLE ELECTRONIC DEVICE**

(75) Inventors: **Robert John Miller**, Fremont, CA (US); **Allan Leafblad**, Livermore, CA (US); **Thomas J. Newman**, Discovery Bay, CA (US); **Paul Montgomery**, Kentfield, CA (US); **Peter Phillips**, Palo Alto, CA (US)

(73) Assignee: **Socket Communications, Inc.**, Newark, CA (US)

(**) Term: **14 Years**

(21) Appl. No.: **29/244,169**

(22) Filed: **Dec. 5, 2005**

(51) **LOC (8) Cl.** **14-02**

(52) **U.S. Cl.** **D14/427**

(58) **Field of Classification Search** 235/462.21, 235/462.44, 462.48, 462.46, 472.02; 362/103; D14/344, 388, 426, 427

See application file for complete search history.

(56) **References Cited**

U.S. PATENT DOCUMENTS

4,766,299	A *	8/1988	Tierney et al.	235/462.21
4,954,817	A *	9/1990	Levine	345/179
D335,661	S *	5/1993	Shepard	D14/427
D335,662	S *	5/1993	Shepard	D14/427
D342,245	S *	12/1993	Krichever et al.	D14/427
5,319,185	A *	6/1994	Obata	235/462.44
5,340,972	A *	8/1994	Sandor	235/462.44
5,481,265	A *	1/1996	Russell	341/22
5,543,610	A *	8/1996	Bard et al.	235/462.44
D376,357	S *	12/1996	Ferland et al.	D14/428
5,610,386	A *	3/1997	Ball et al.	235/462.44
D385,855	S *	11/1997	Ronzani	D14/344
D391,250	S *	2/1998	Swift et al.	D14/427
D412,163	S *	7/1999	Evers et al.	D14/429
D413,618	S *	9/1999	Murwin	D17/22
D462,688	S *	9/2002	Schieffers et al.	D14/427

D462,964 S * 9/2002 Croley et al. D14/427

* cited by examiner

Primary Examiner—M. H. Tung

Assistant Examiner—Susan Moon Lee

(74) *Attorney, Agent, or Firm*—PatentVentures; Bennett Smith; Korbin Van Dyke

(57) **CLAIM**

The ornamental design for a ring-like wearable electronic device, as shown and described.

DESCRIPTION

FIG. 1 is an enlarged front perspective view of a ring-like wearable electronic device showing our new design;

FIG. 2, is a right orthogonal view thereof;

FIG. 3 is a rear orthogonal view thereof;

FIG. 4 is a top orthogonal view thereof;

FIG. 5 is a front orthogonal view thereof;

FIG. 6, is a left orthogonal view thereof; and

FIG. 7 is a bottom orthogonal view thereof;

FIG. 8 is an enlarged front perspective view of a modified embodiment of this design;

FIG. 9, is a right orthogonal view of the modified embodiment;

FIG. 10 is a rear orthogonal view of the modified embodiment;

FIG. 11 is a top orthogonal view of the modified embodiment;

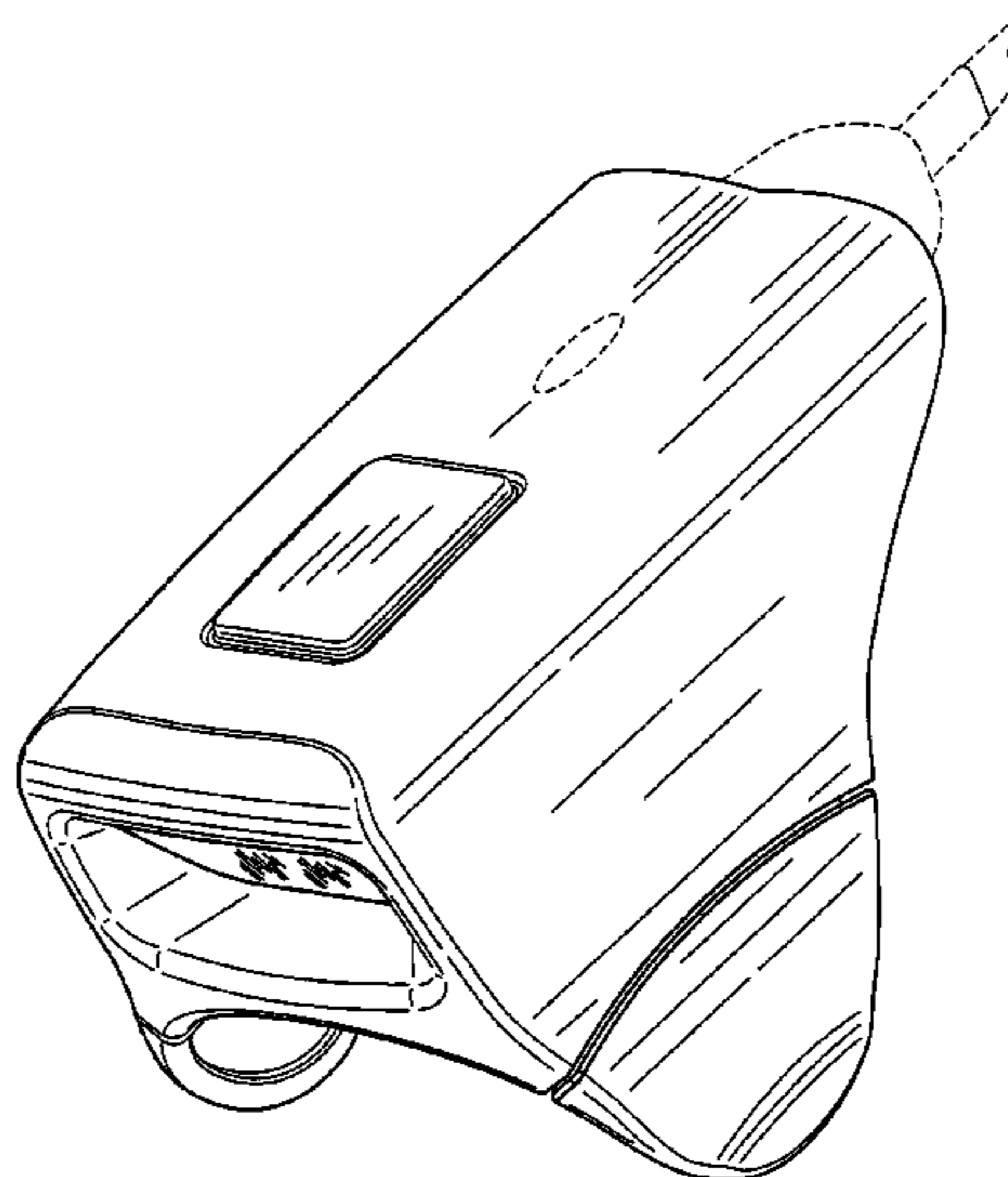
FIG. 12 is a front orthogonal view of the modified embodiment;

FIG. 13, is a left orthogonal view of the modified embodiment; and,

FIG. 14 is a bottom orthogonal view of the modified embodiment.

The portions shown in broken line are for illustrative purposes only and form no part of the claimed design.

1 Claim, 4 Drawing Sheets



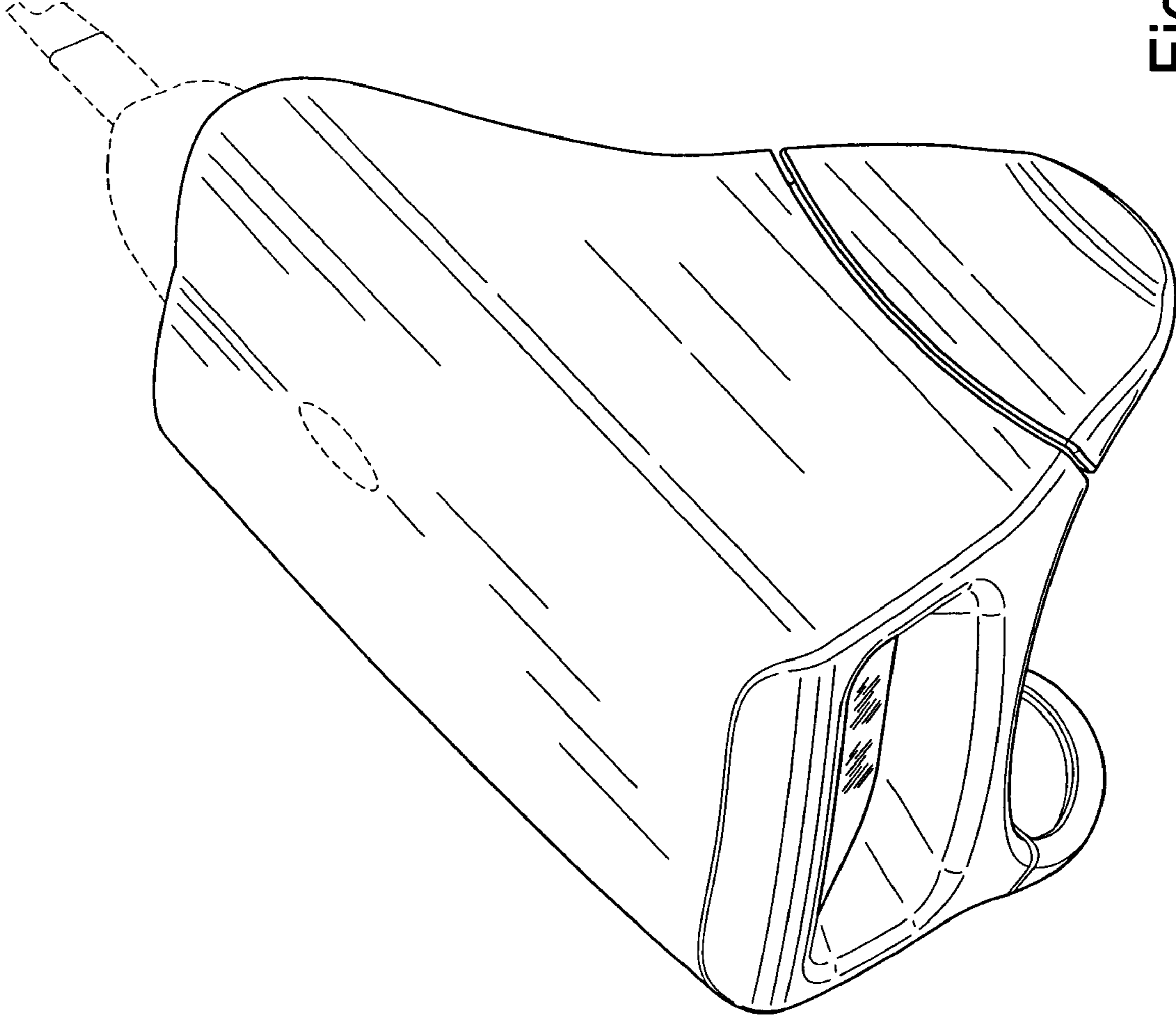


Fig. 1

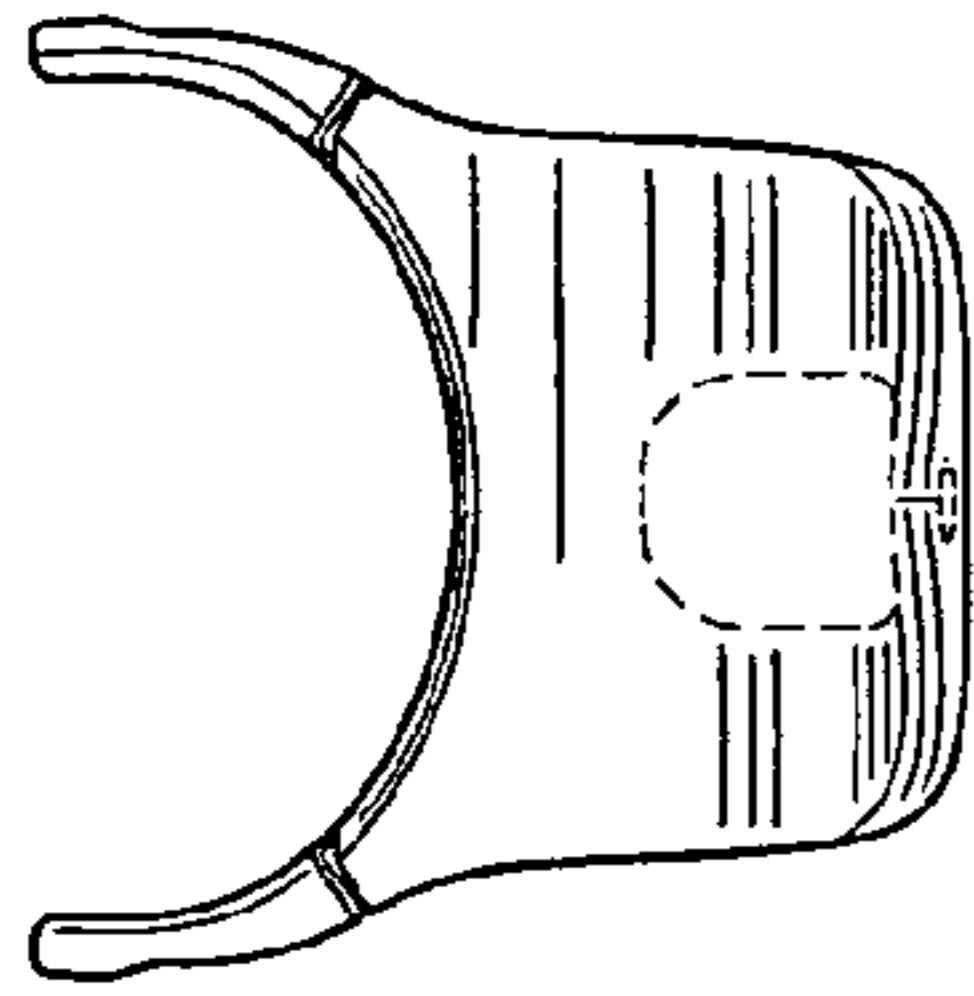


Fig. 3

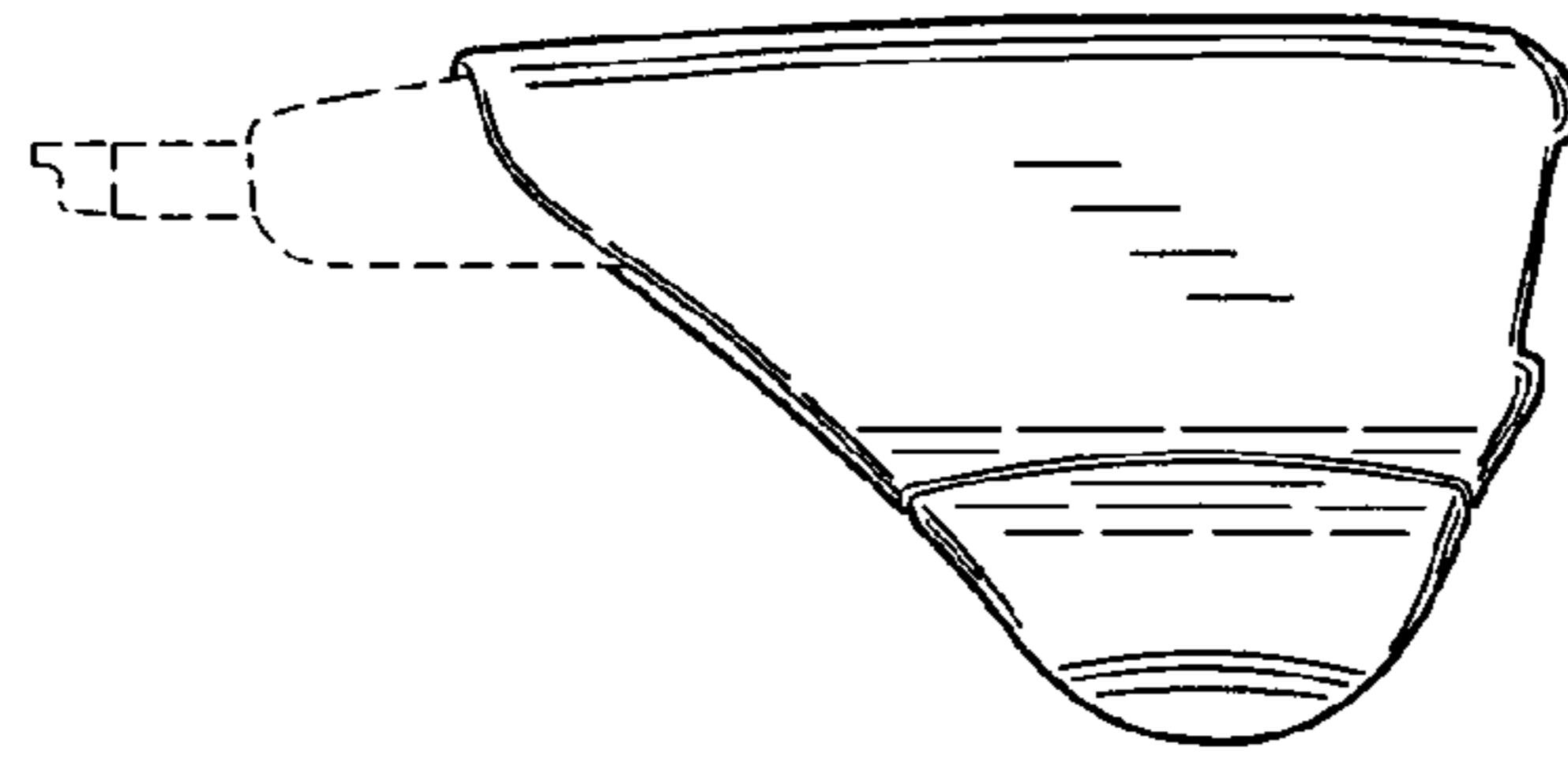


Fig. 2

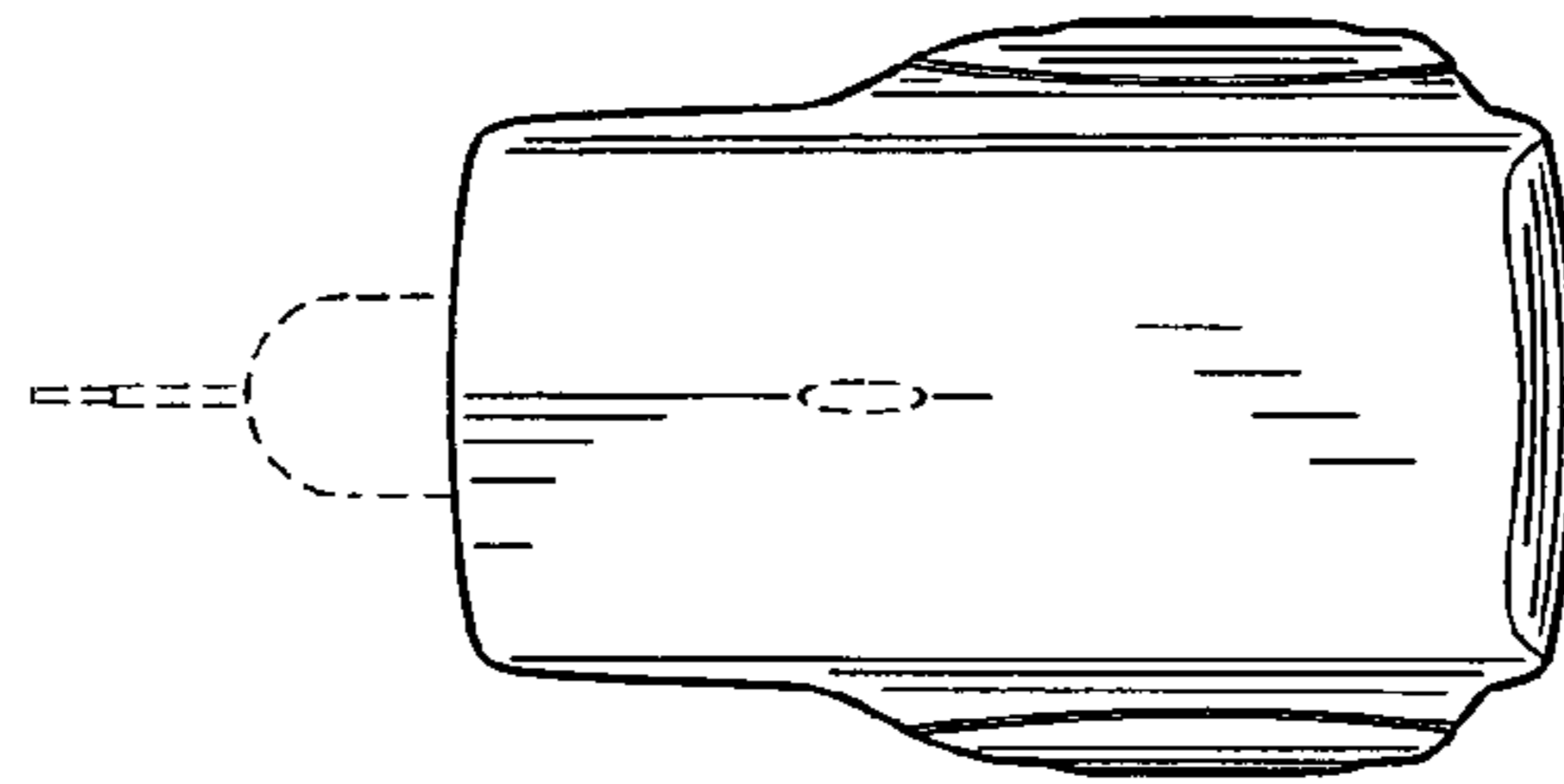


Fig. 4

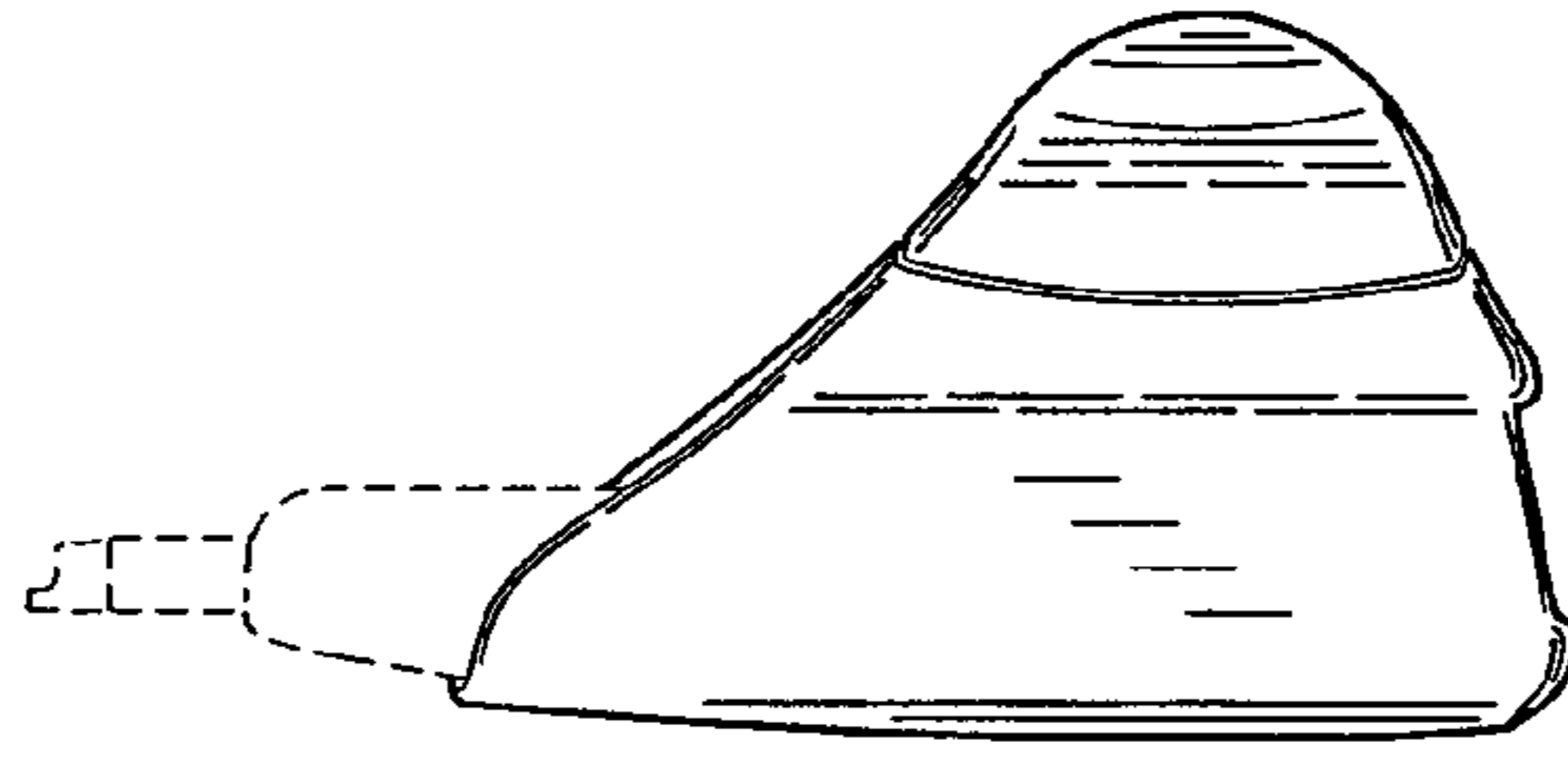


Fig. 6

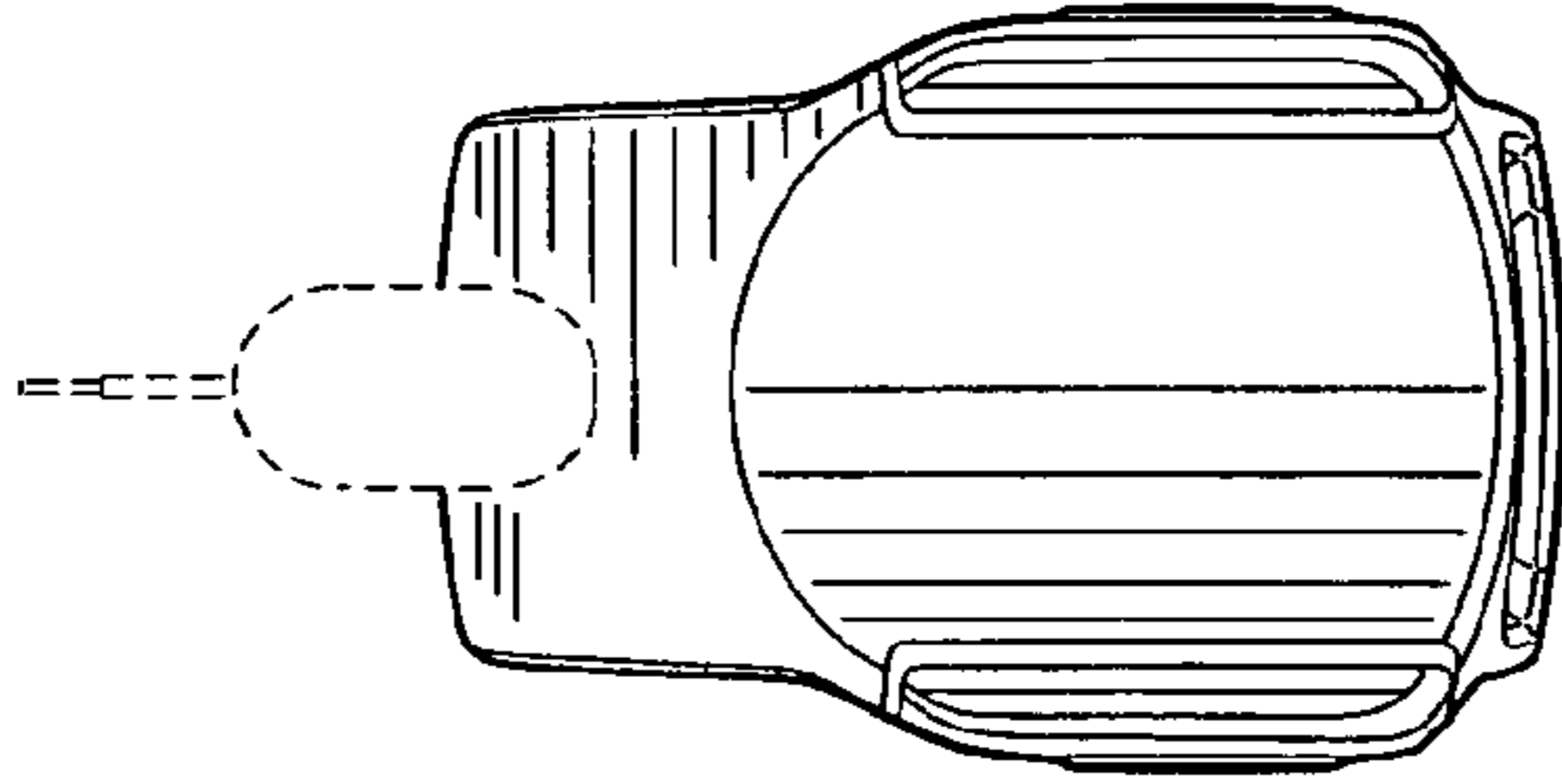


Fig. 7

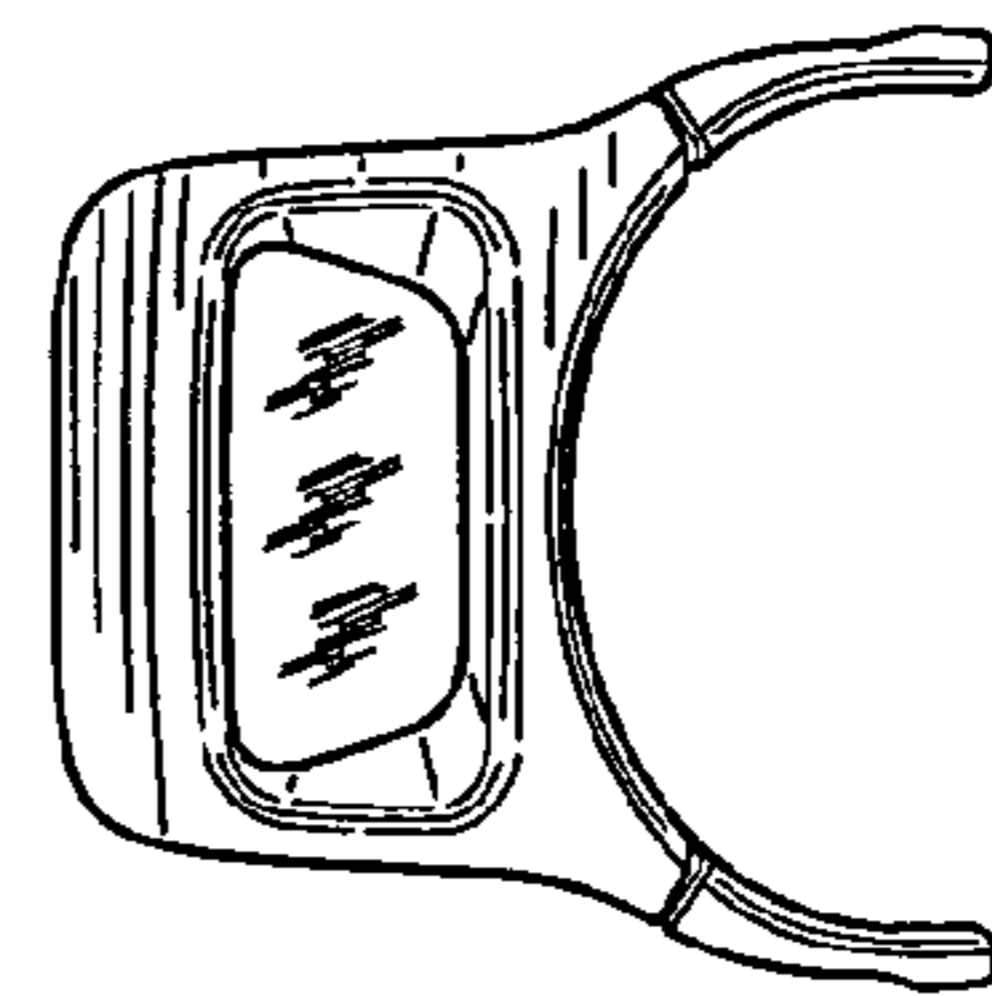


Fig. 5

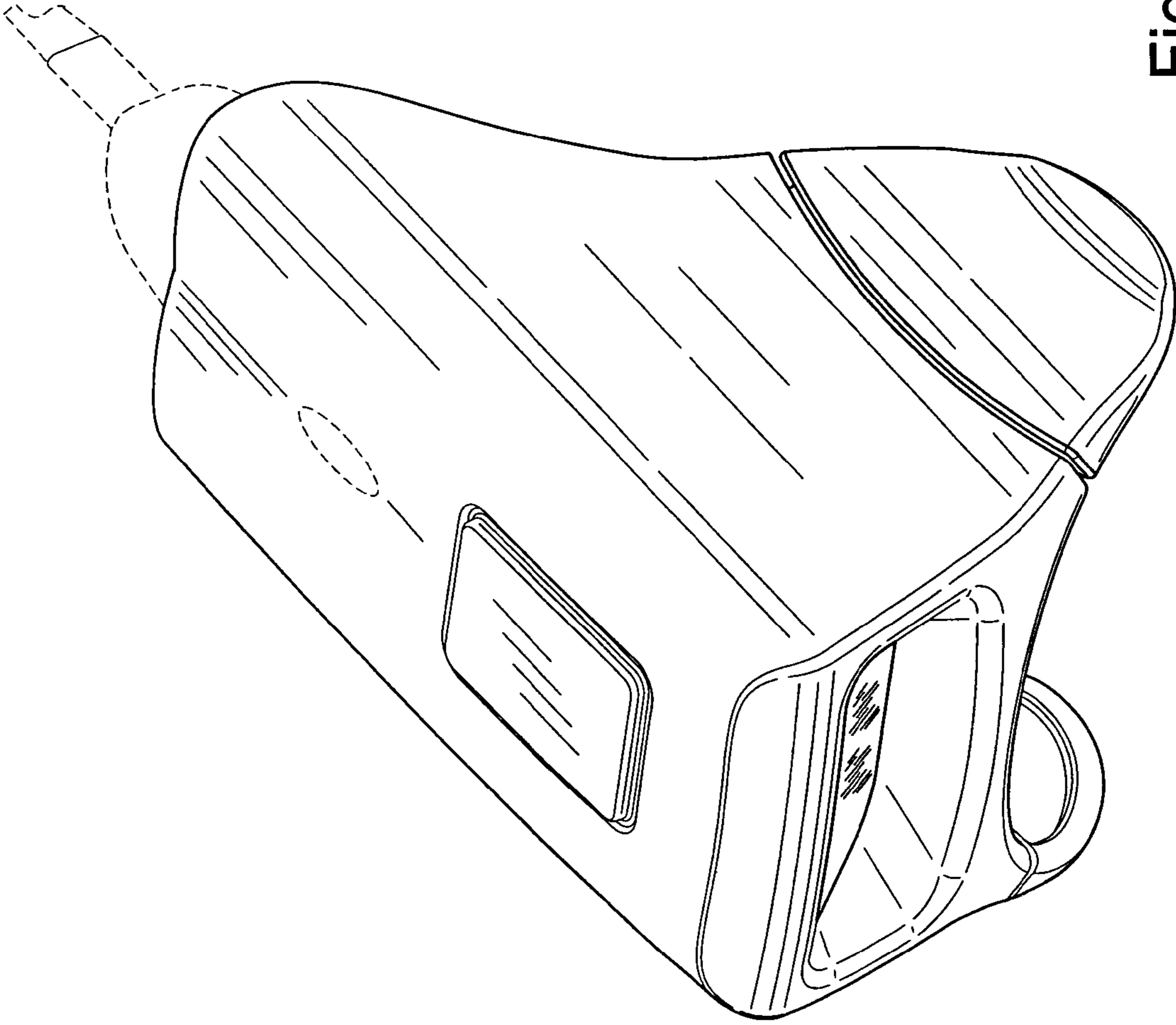


Fig. 8

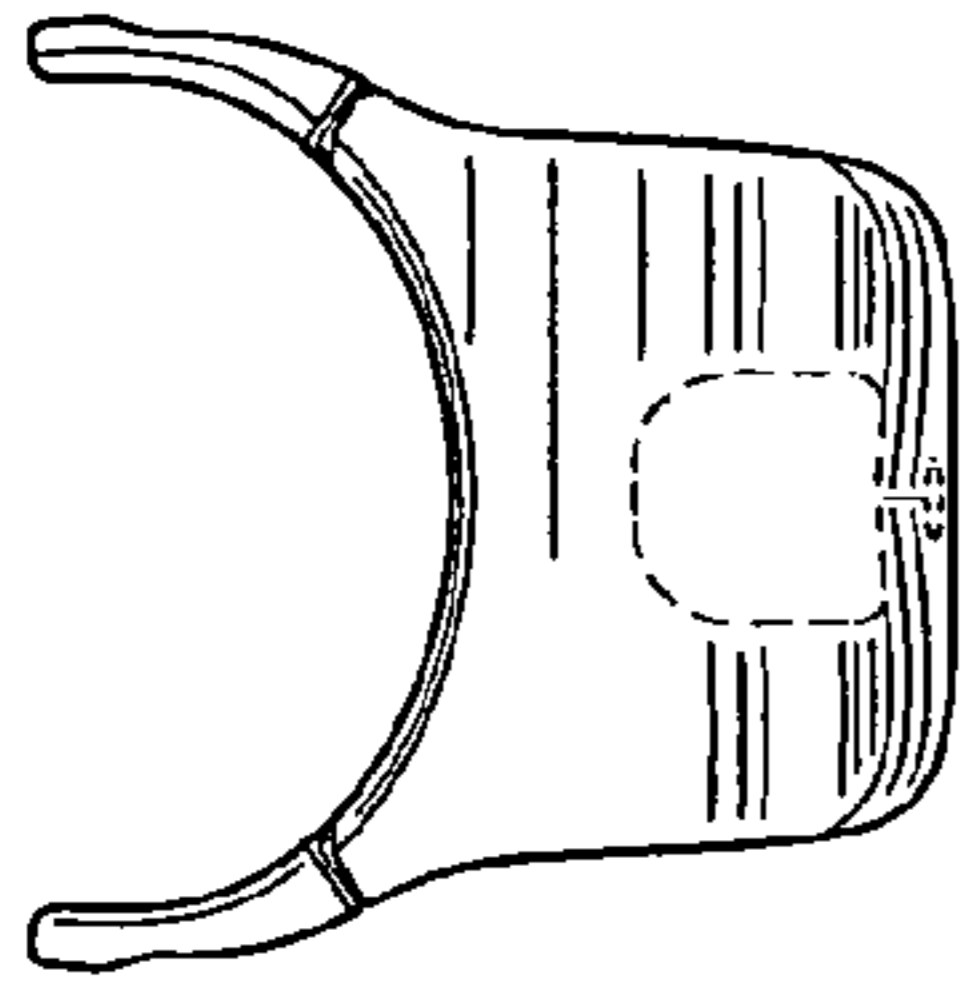


Fig. 10

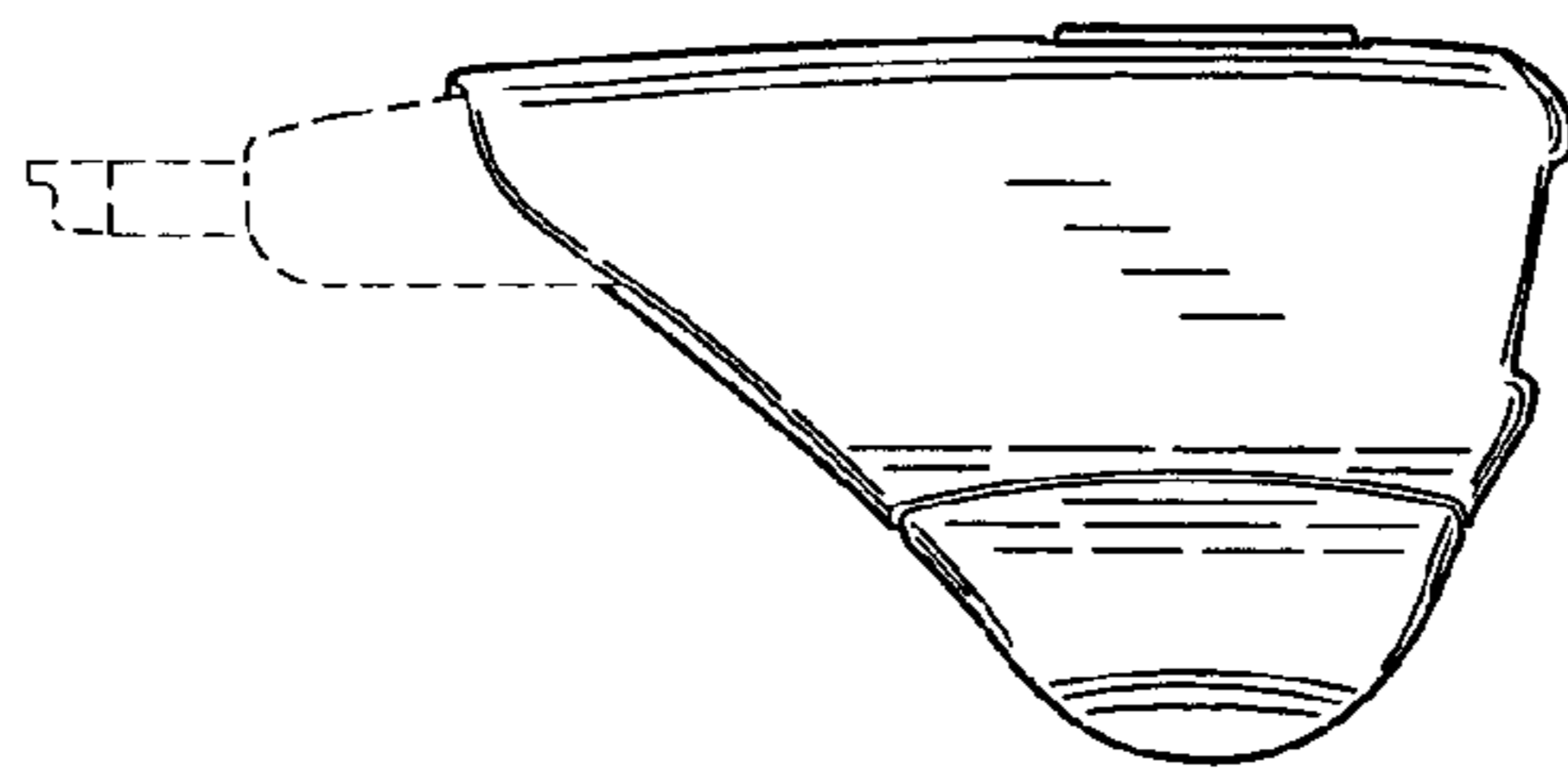


Fig. 9

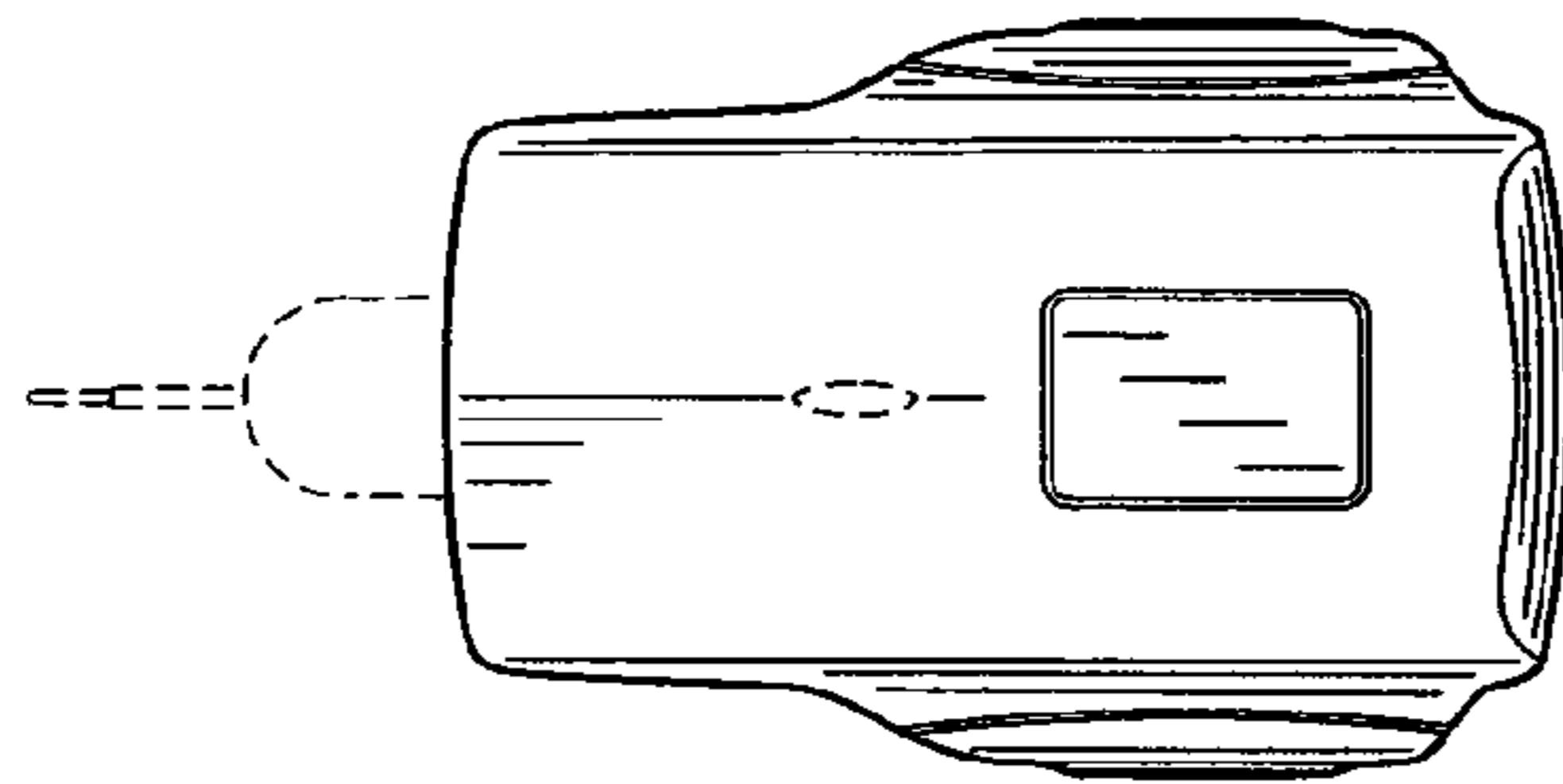


Fig. 11

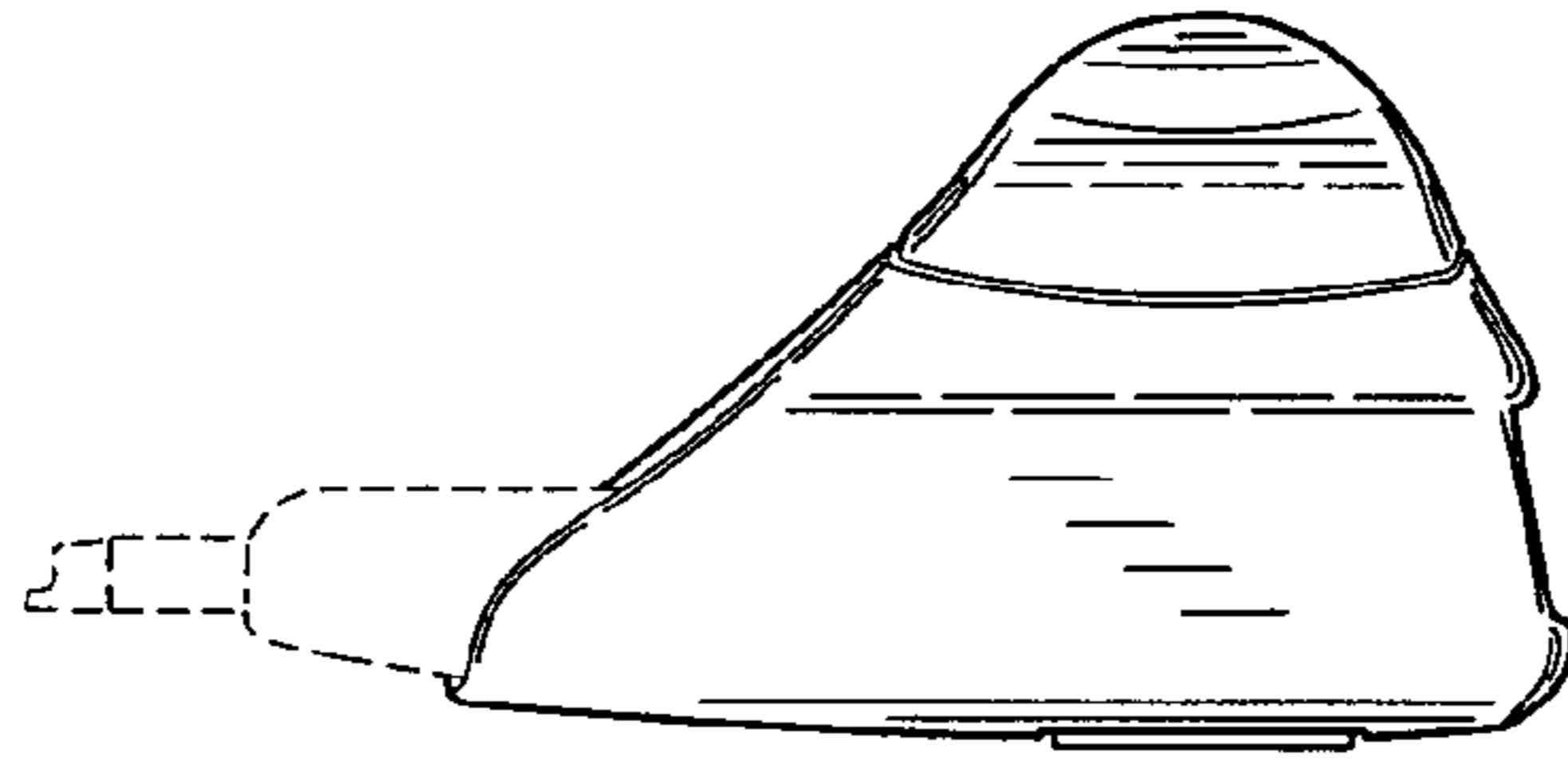


Fig. 13

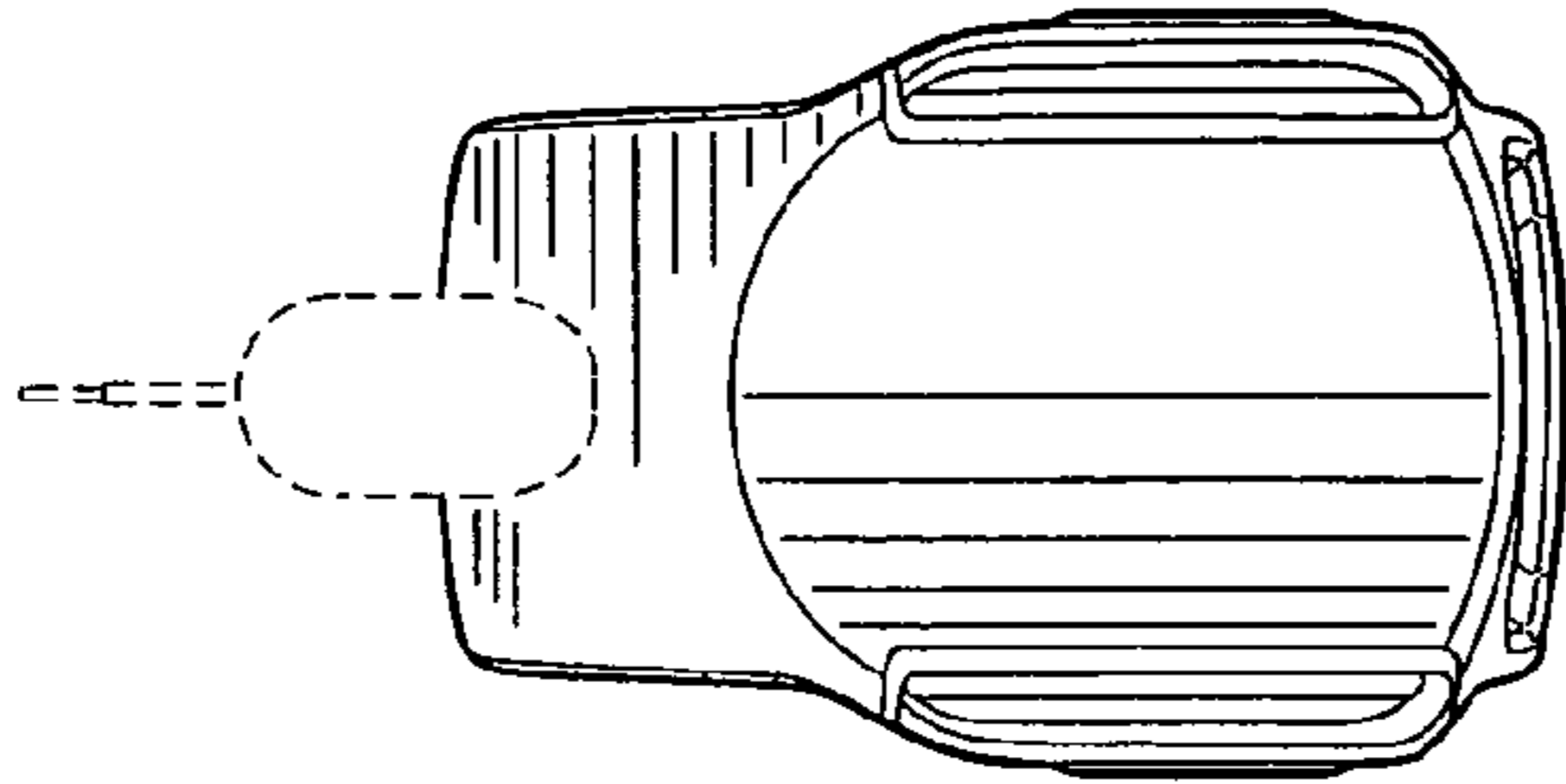


Fig. 14

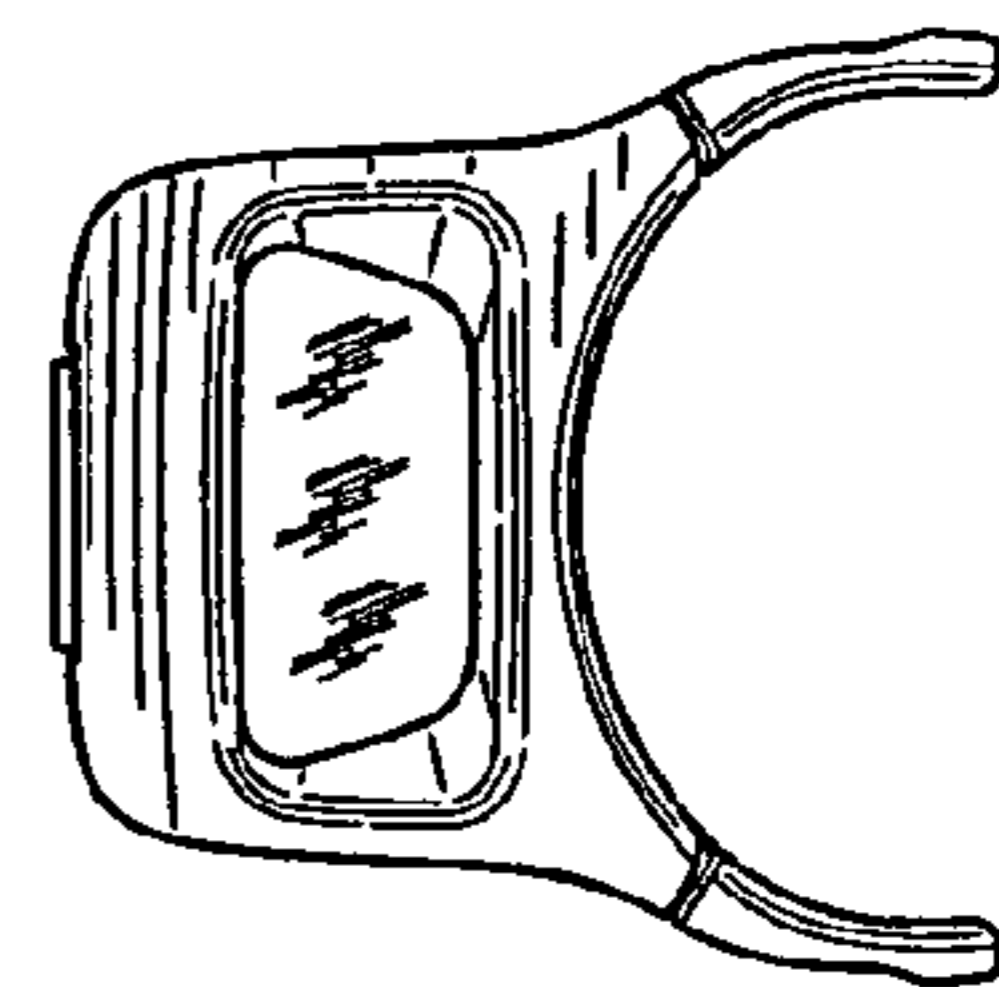


Fig. 12