



US00D554639S

(12) **United States Design Patent**
Kim et al.

(10) **Patent No.:** **US D554,639 S**
(45) **Date of Patent:** **** Nov. 6, 2007**

(54) **COMPUTER MONITOR AND BASE**

(75) Inventors: **Ki-Soo Kim**, Gunpo-si (KR); **Sang-II Park**, Seoul (KR); **Mike Nuttall**, Palo Alto, CA (US)

(73) Assignee: **Samsung Electronics Co., Ltd.**, Suwon-Si (KR)

(**) Term: **14 Years**

(21) Appl. No.: **29/252,612**

(22) Filed: **Jan. 26, 2006**

(30) **Foreign Application Priority Data**

Aug. 31, 2005 (KR) 30-2005-0029404

(51) **LOC (8) Cl.** **14-02**

(52) **U.S. Cl.** **D14/375**

(58) **Field of Classification Search** D14/371-375,
D14/125-129; 345/104, 156, 168, 173; 348/180,
348/184, 325, 739, 837; 248/917-924; 349/1,
349/2, 11, 62; 341/12

See application file for complete search history.

(56) **References Cited**

U.S. PATENT DOCUMENTS

5,179,447 A * 1/1993 Lain 348/837

D383,739 S * 9/1997 Gilgen D14/375
D483,757 S * 12/2003 Olson et al. D14/371
D496,047 S * 9/2004 Hoehn D14/375
D512,424 S * 12/2005 Kim D14/375

* cited by examiner

Primary Examiner—Freda S. Nunn

(74) *Attorney, Agent, or Firm*—Staas & Halsey LLP

(57) **CLAIM**

The ornamental design for the computer monitor and base, as shown and described.

DESCRIPTION

FIG. 1 is a perspective view of the computer monitor and base showing our design;

FIG. 2 is a front view thereof;

FIG. 3 is a rear view thereof;

FIG. 4 is a left side view thereof;

FIG. 5 is a right side view thereof;

FIG. 6 is a top plan view thereof;

FIG. 7 is a bottom plan view thereof; and,

FIG. 8 is a bottom view thereof showing the monitor moved relative to FIG. 7.

1 Claim, 4 Drawing Sheets

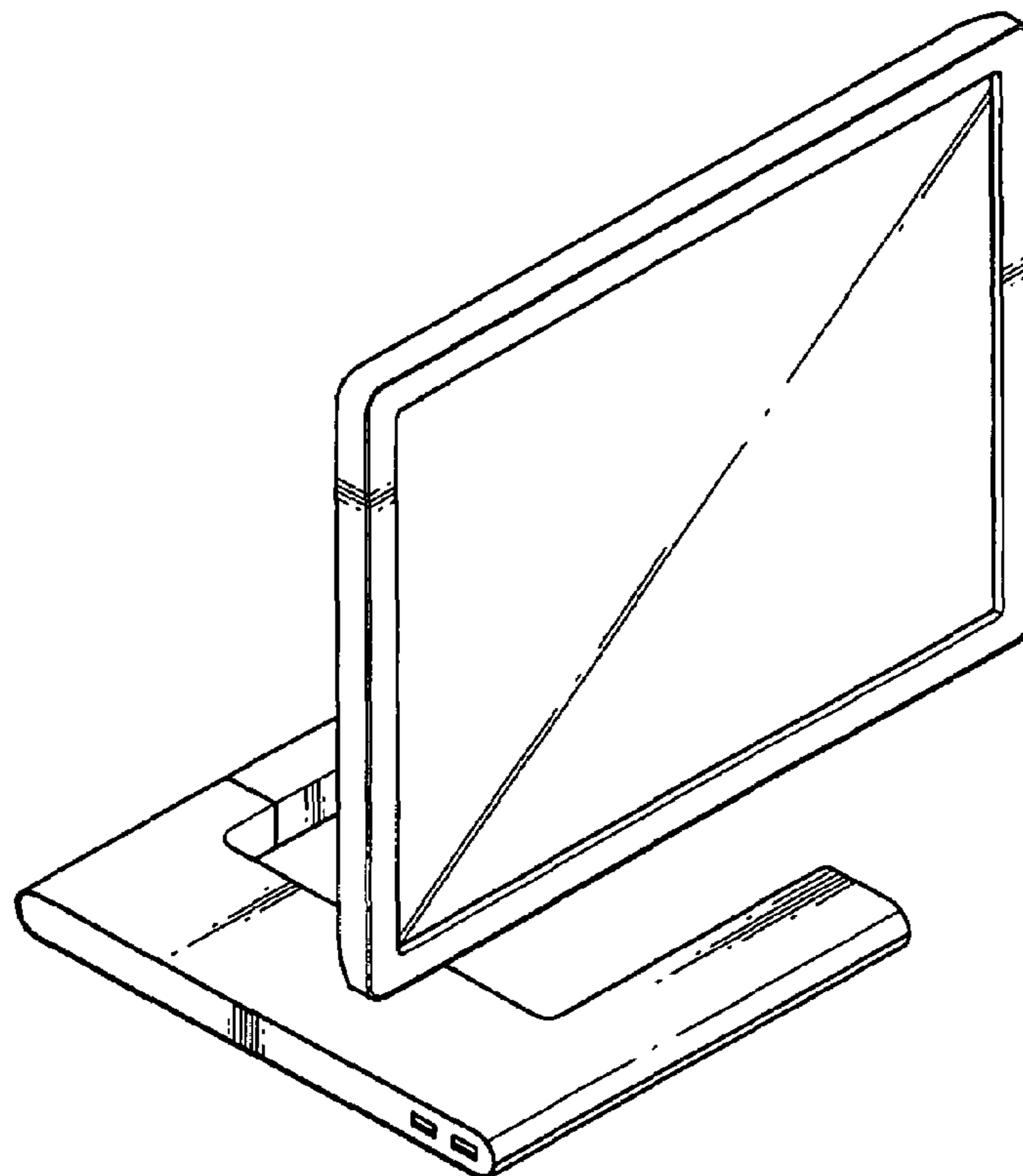


FIG. 1

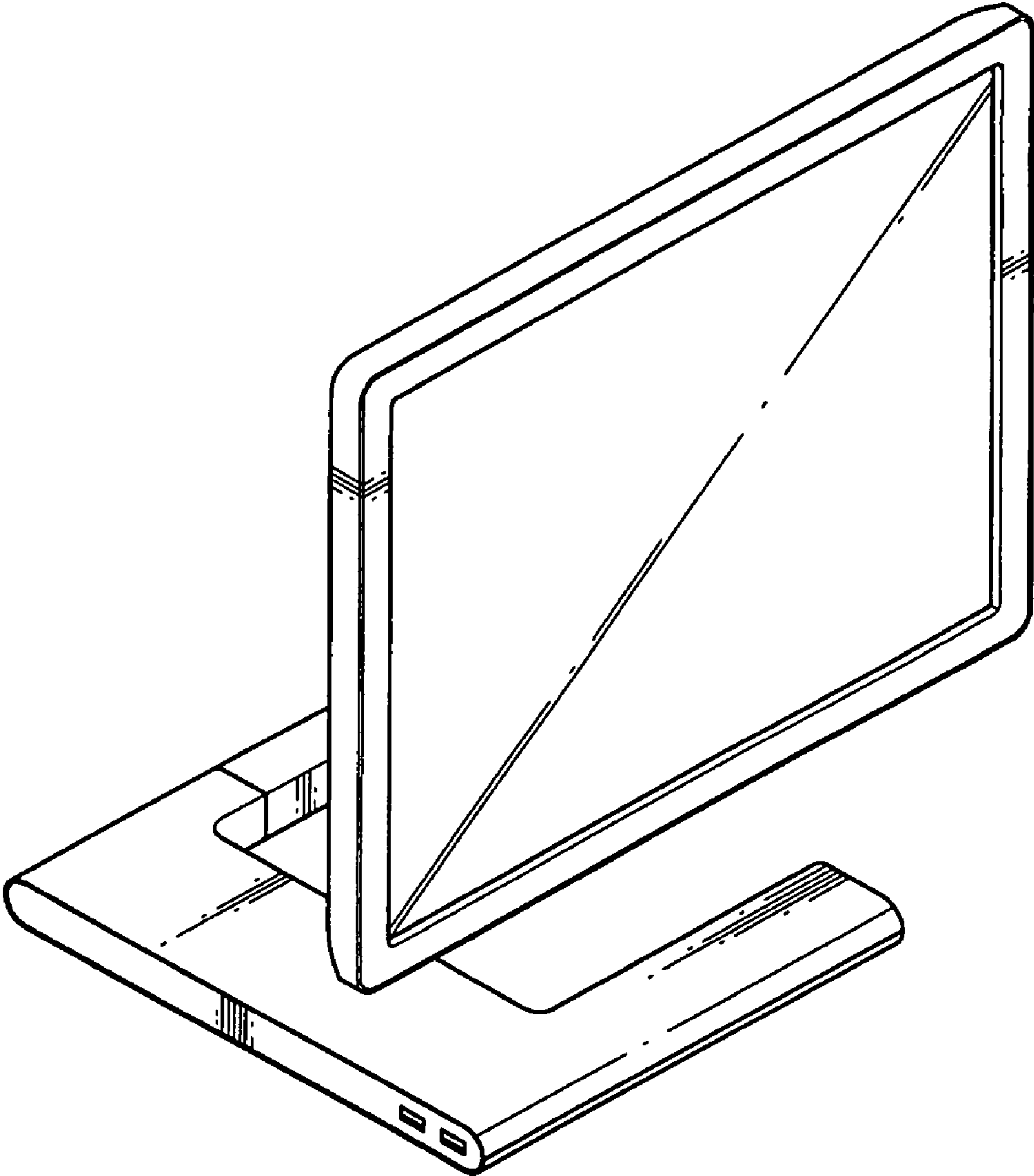


FIG. 2

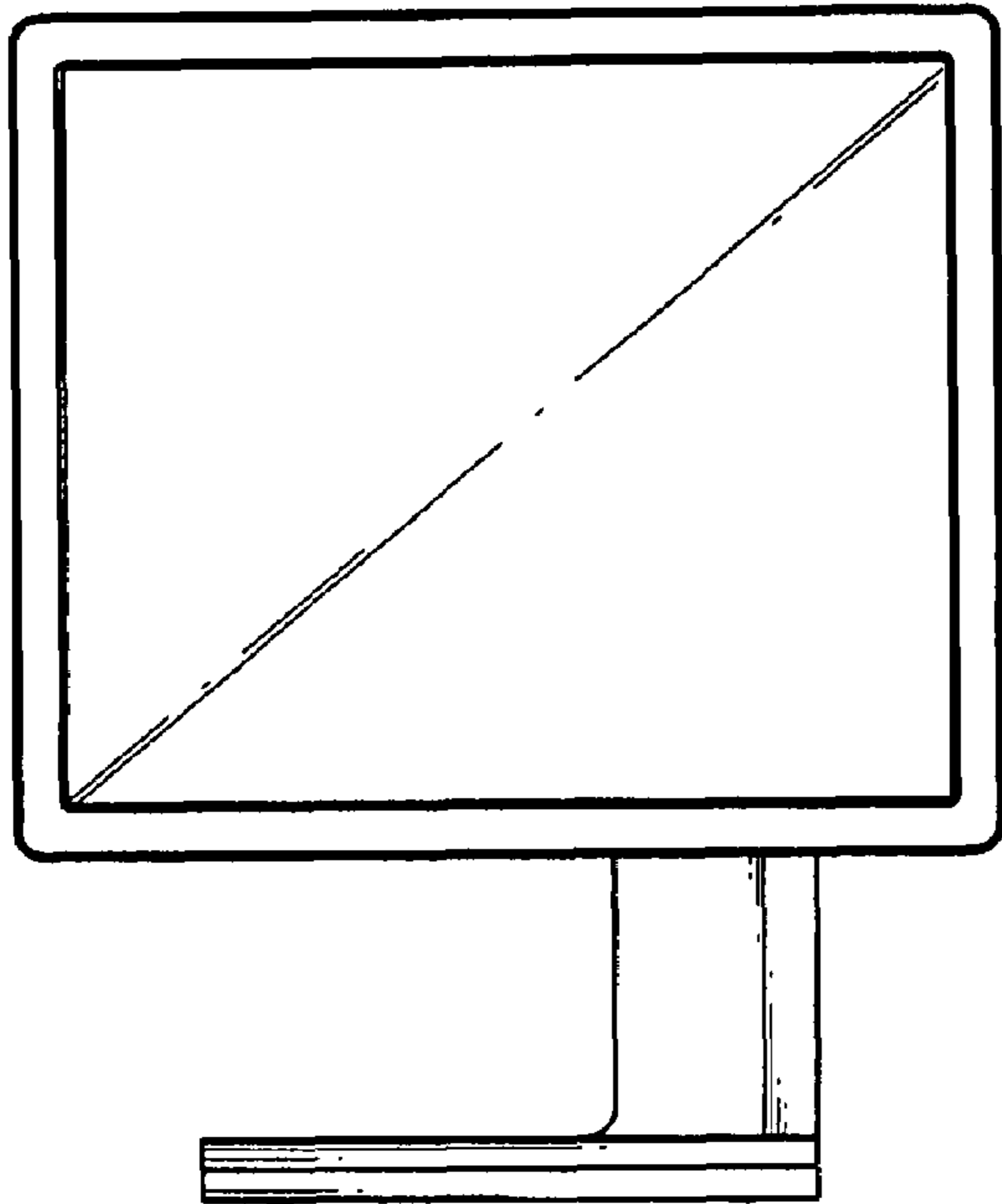


FIG. 3

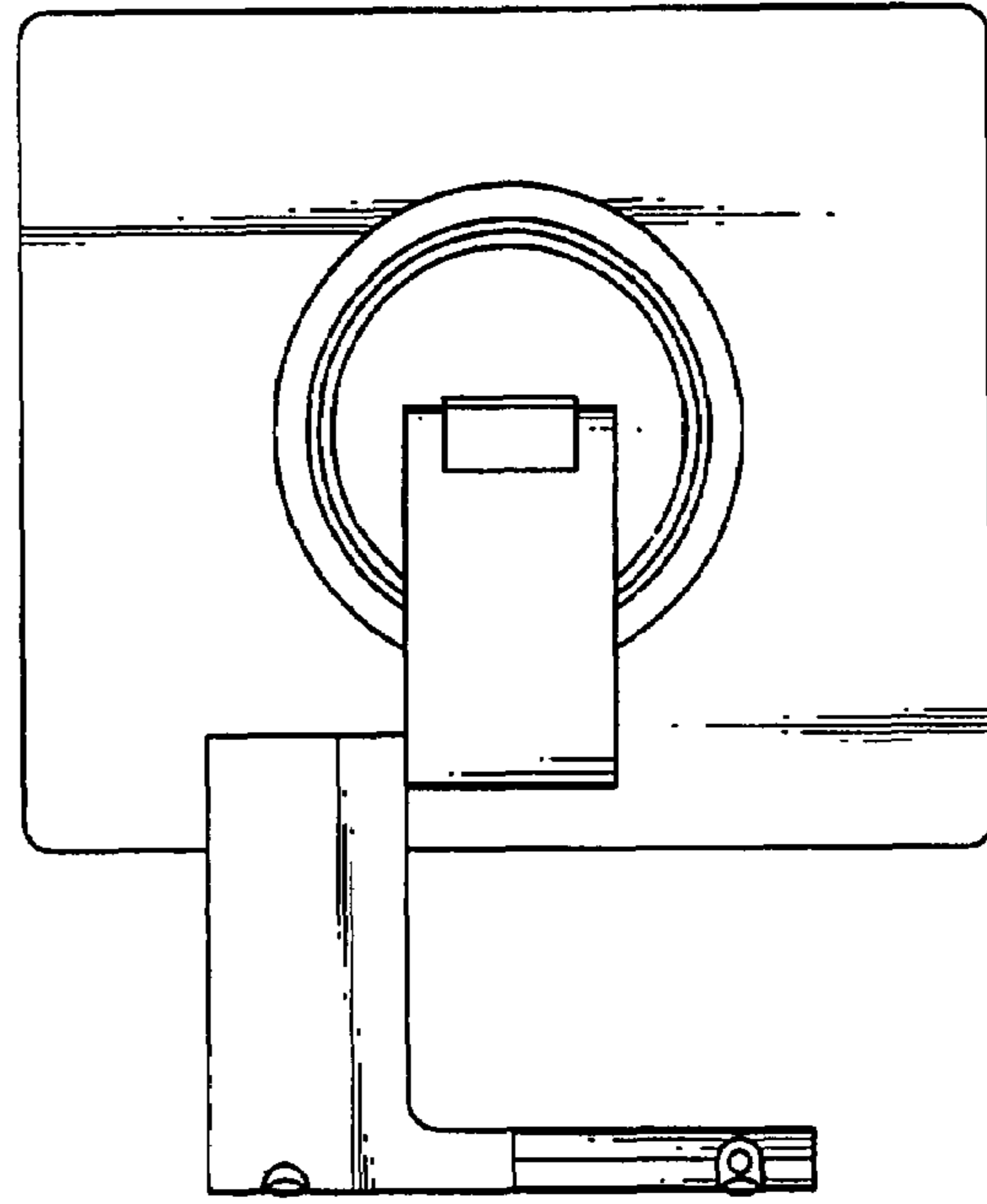


FIG. 4

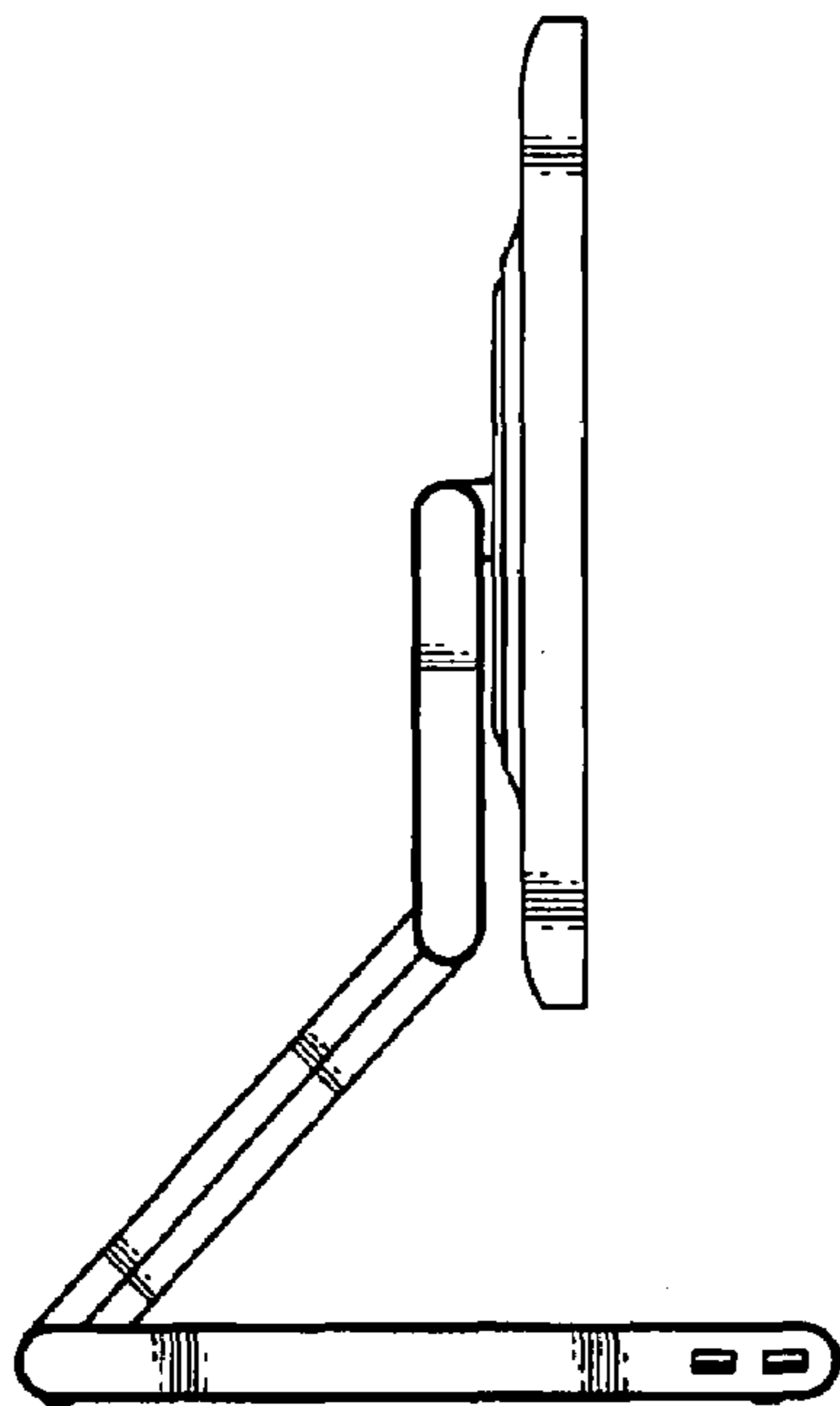


FIG. 5

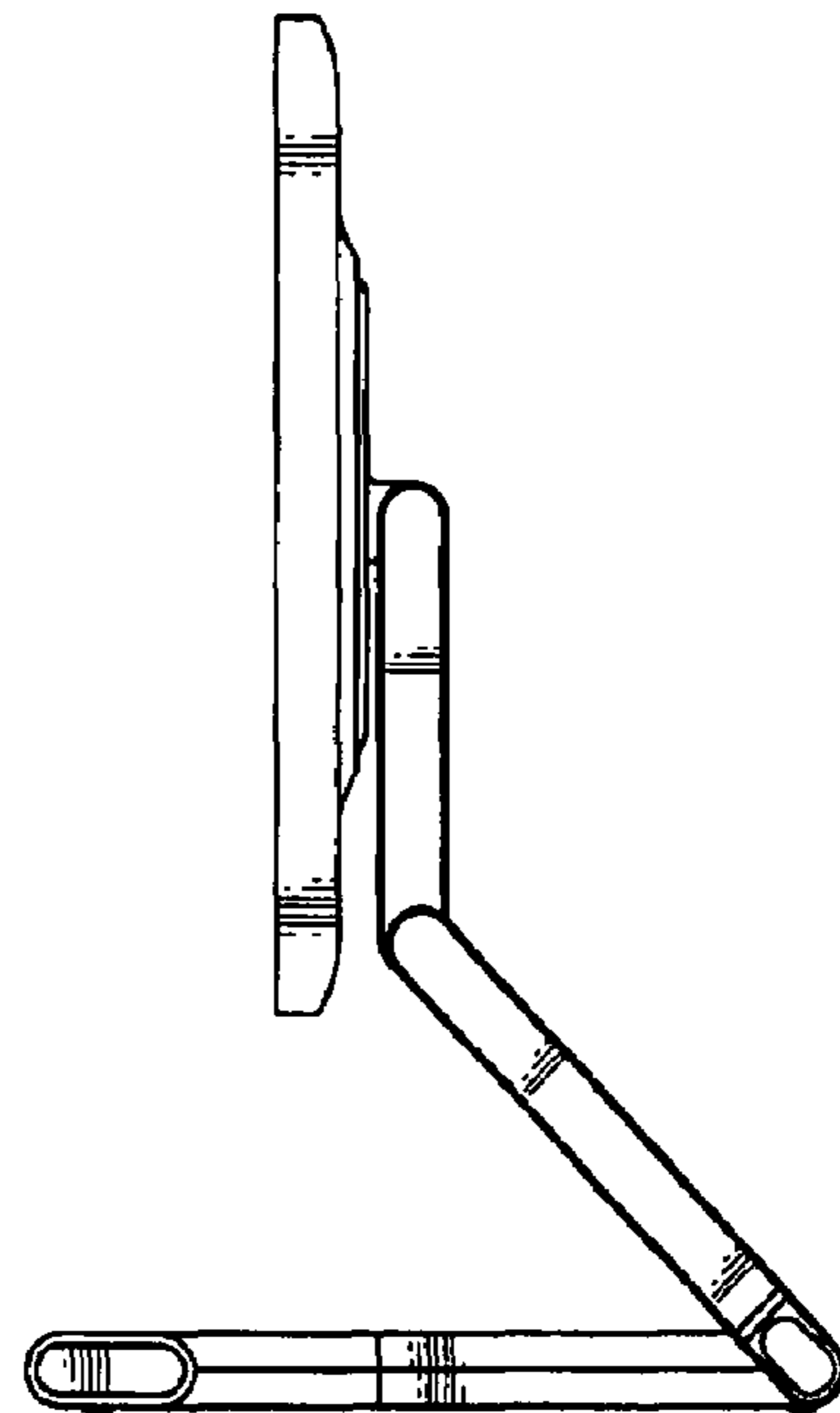


FIG. 6

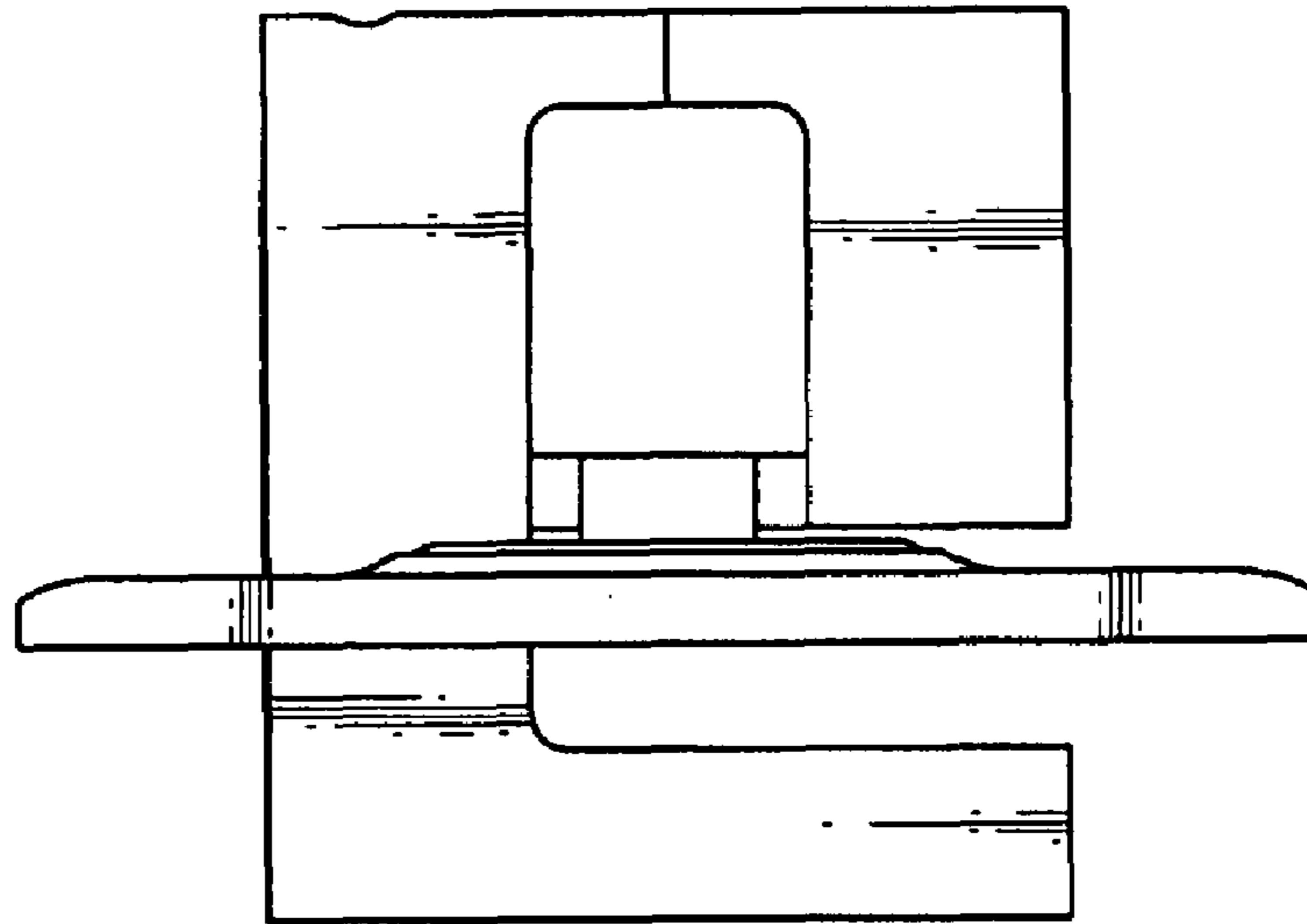


FIG. 7

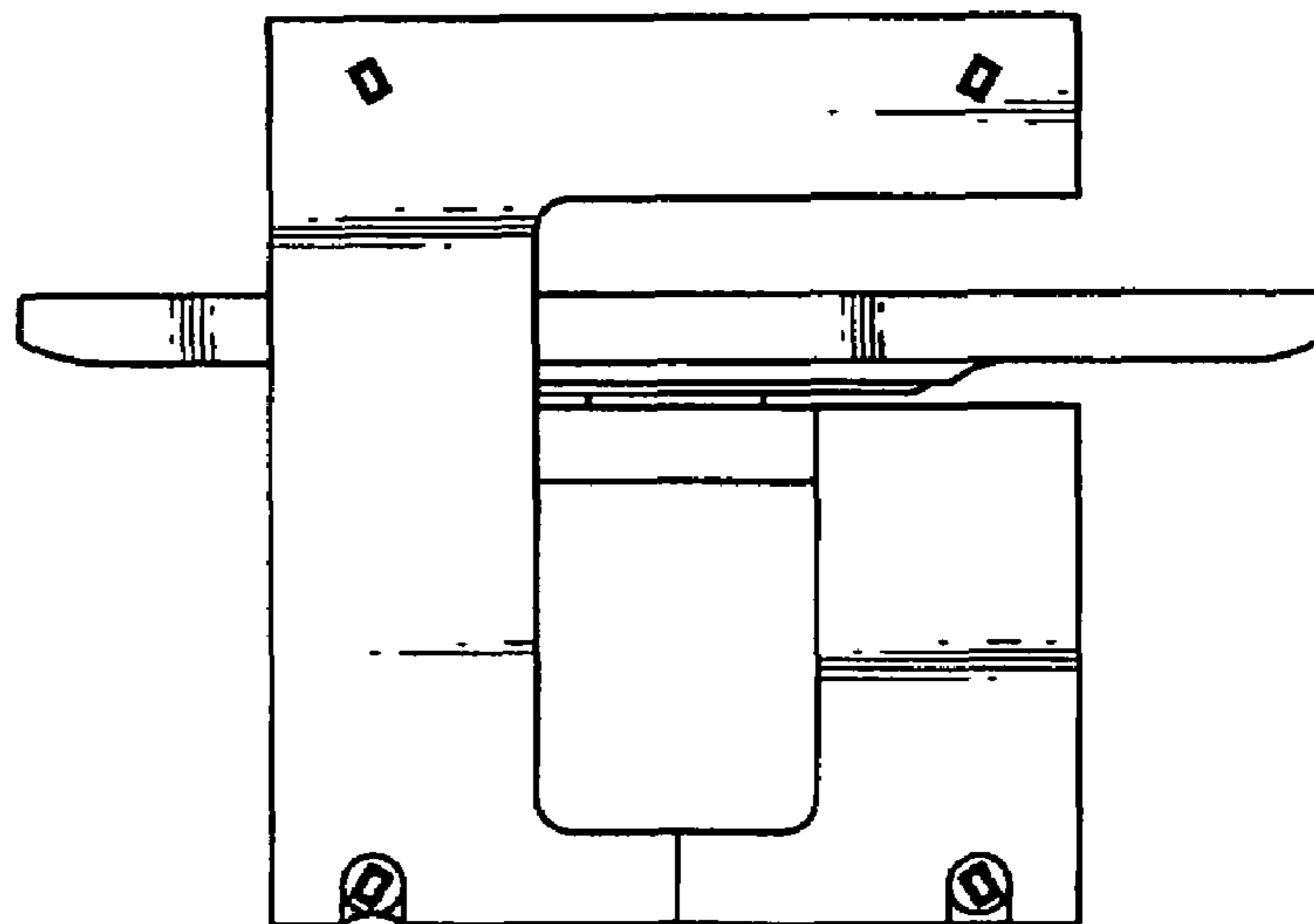


FIG. 8

