

US00D554629S

(12) **United States Design Patent**
Thorpe

(10) **Patent No.:** **US D554,629 S**

(45) **Date of Patent:** **** Nov. 6, 2007**

(54) **FISHING POLE ANTENNA**

D454,863 S * 3/2002 Hudgeons D14/232
D494,573 S * 8/2004 Curtis et al. D14/234

(75) Inventor: **Scott A. Thorpe**, 366 School La.,
Plymouth Meeting, PA (US) 19462

* cited by examiner

(73) Assignee: **Scott A. Thorpe**, Plymouth Meeting,
PA (US)

Primary Examiner—Louis S. Zarfes
Assistant Examiner—John Windmuller

(**) Term: **14 Years**

(57) **CLAIM**

(21) Appl. No.: **29/211,754**

The ornamental design for a fishing pole antenna, as shown
and described.

(22) Filed: **Aug. 20, 2004**

DESCRIPTION

(51) **LOC (8) Cl.** **14-03**

(52) **U.S. Cl.** **D14/232**

(58) **Field of Classification Search** D14/137,
D14/138, 230–238, 299, 358; D12/42, 43;
343/700 R–705, 871–908, 795, 840, 711–713,
343/819, 846; 455/90.2, 90.3, 91, 128, 269,
455/344, 347, 562.1

FIG. 1 is a rear elevational view of a fishing pole antenna
showing my new design;

FIG. 2 is a front elevational view thereof;

FIG. 3 is a right side elevational view thereof;

FIG. 4 is a top perspective view thereof; and,

FIG. 5 is a left side elevational view thereof, shown on a
vehicle.

See application file for complete search history.

The broken line showing of a car is for illustrative purposes
only and forms no part of the claimed design.

(56) **References Cited**

U.S. PATENT DOCUMENTS

D376,152 S * 12/1996 Tsuji D14/230

1 Claim, 3 Drawing Sheets

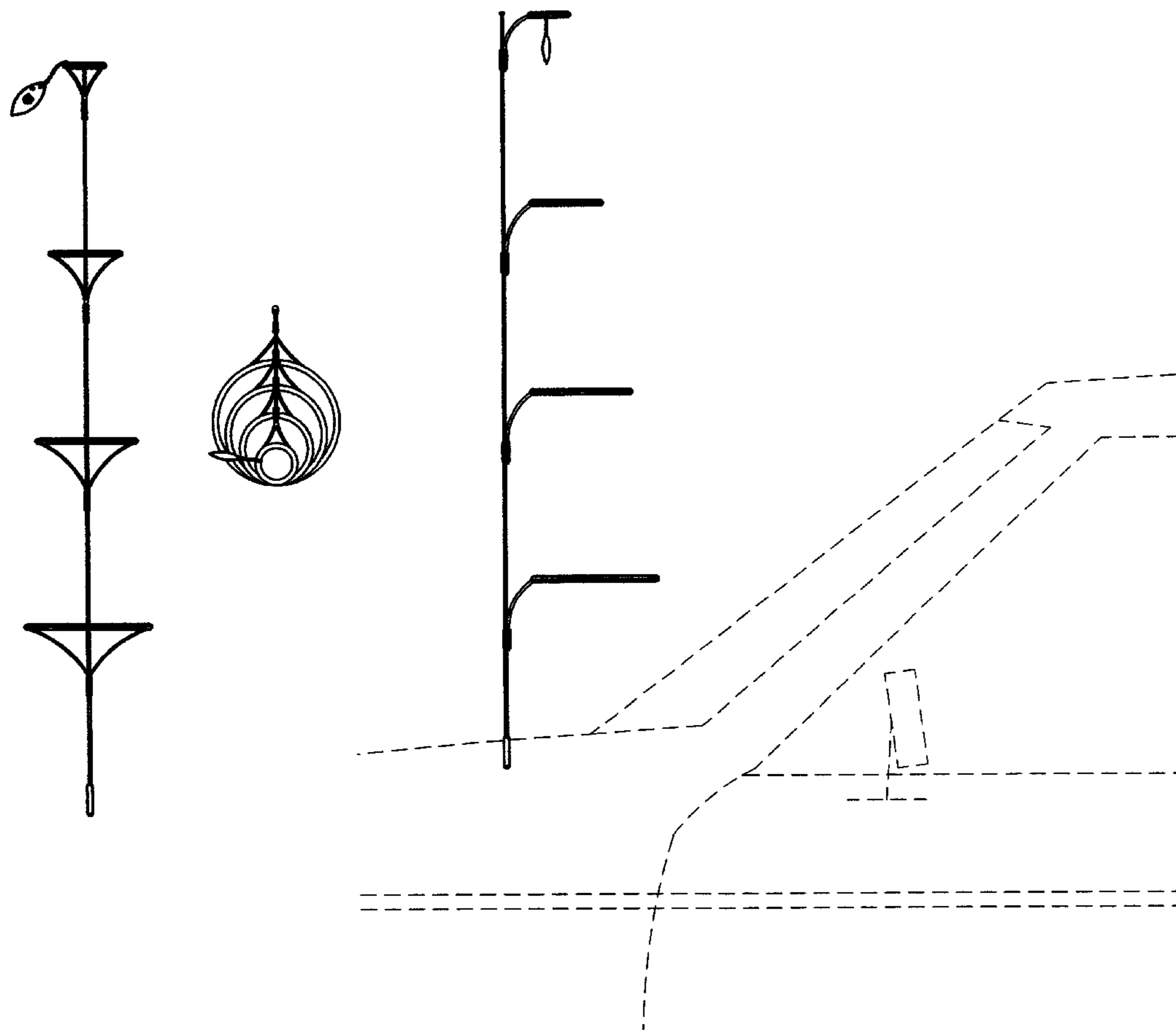


FIG. 1

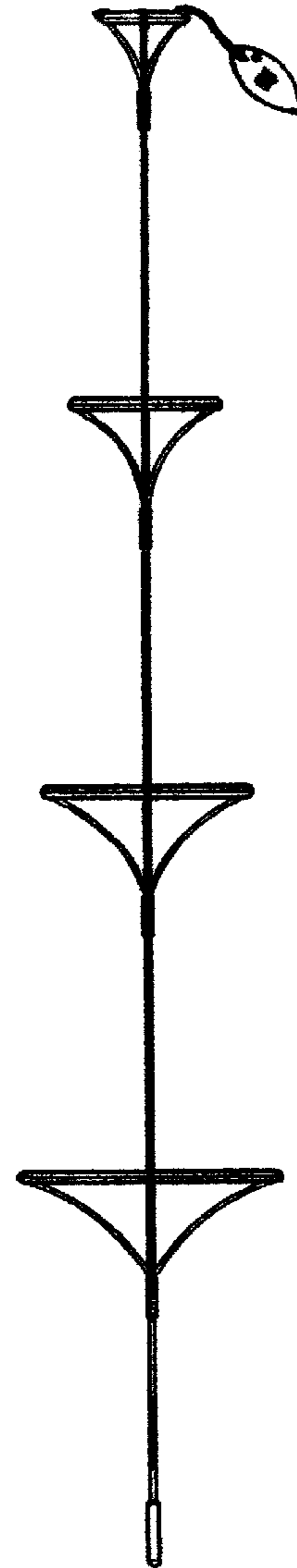


FIG. 2

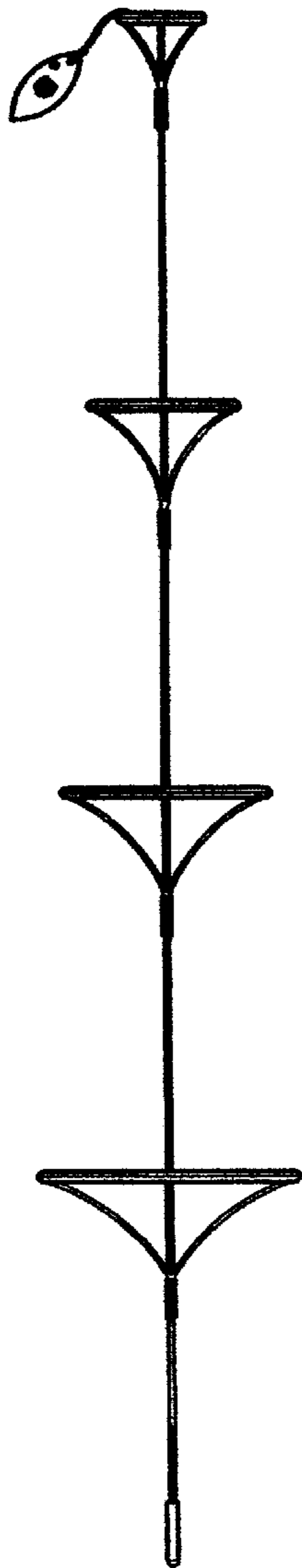


FIG. 3

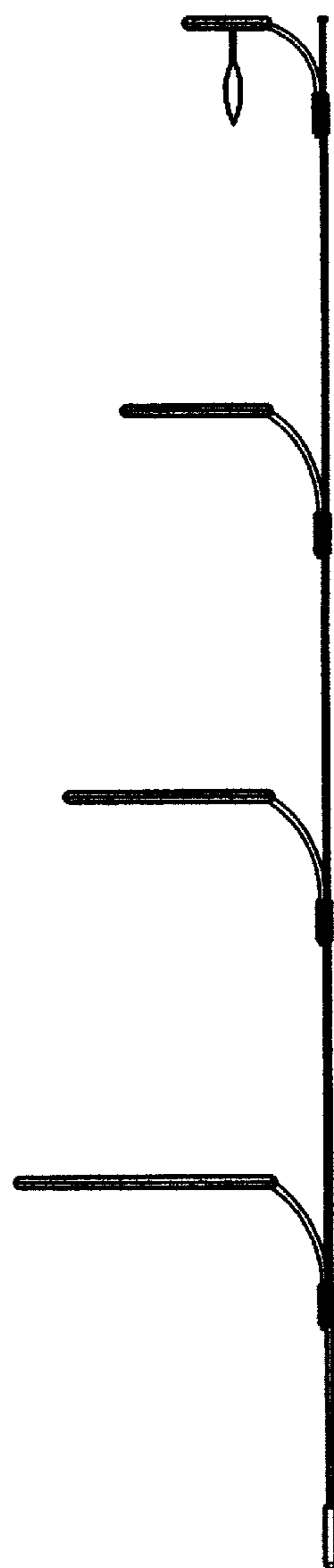


FIG. 4

