



US00D554628S

(12) **United States Design Patent**  
**Aoki**

(10) **Patent No.:** **US D554,628 S**

(45) **Date of Patent:** **\*\* Nov. 6, 2007**

(54) **PORTABLE MICROPHONE**

D507,261 S \* 7/2005 Griffin ..... D14/226  
D516,546 S \* 3/2006 Sobol ..... D14/228

(75) Inventor: **Ryosaku Aoki**, Kunitachi (JP)

\* cited by examiner

(73) Assignee: **Olympus Imaging Corp.**, Tokyo (JP)

*Primary Examiner*—Paula A. Greene

(\*\*) Term: **14 Years**

(74) *Attorney, Agent, or Firm*—Straub and Pokotylo; John C. Pokotylo

(21) Appl. No.: **29/260,735**

(22) Filed: **May 31, 2006**

(57) **CLAIM**

(30) **Foreign Application Priority Data**

I claim the ornamental design for a portable microphone, as shown and described.

Apr. 13, 2006 (JP) ..... 2006-009643

**DESCRIPTION**

(51) **LOC (8) Cl.** ..... **14-01**

(52) **U.S. Cl.** ..... **D14/226**

(58) **Field of Classification Search** ..... D14/225–229;  
181/158–159, 198, 242; 379/430–431; 381/91,  
381/122, 159, 168–169, 356  
See application file for complete search history.

FIG. 1 is a front, top and right side perspective view of a portable microphone showing my new design in accordance with one embodiment;

FIG. 2 is a rear, bottom and right side perspective view of thereof;

FIG. 3 is a front elevational view thereof;

FIG. 4 is a rear elevational view thereof;

FIG. 5 is a top plan view thereof;

FIG. 6 is a bottom plan view thereof;

FIG. 7 is a right side elevational view thereof; and,

FIG. 8 is a left side elevational view thereof.

(56) **References Cited**

**U.S. PATENT DOCUMENTS**

1,678,842 A \* 7/1928 Aiken ..... 181/198  
D105,992 S \* 9/1937 Huth ..... D14/227  
D356,571 S \* 3/1995 Garmon et al. .... D14/225  
D418,513 S \* 1/2000 Suzuki et al. .... D14/228  
D428,406 S \* 7/2000 Lancaster et al. .... D14/228  
D489,057 S \* 4/2004 Obata et al. .... D14/225

**1 Claim, 3 Drawing Sheets**

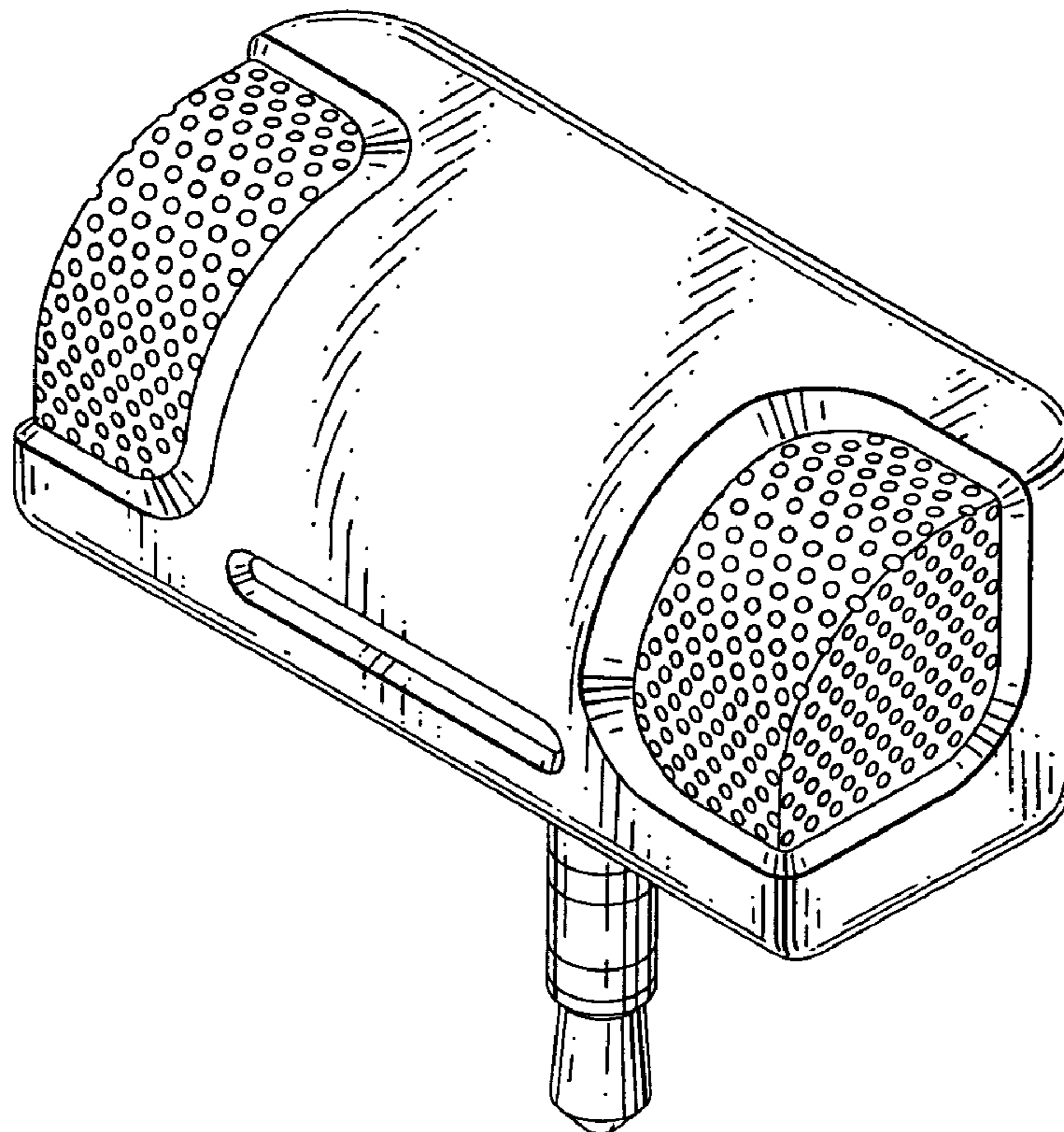


FIG. 1

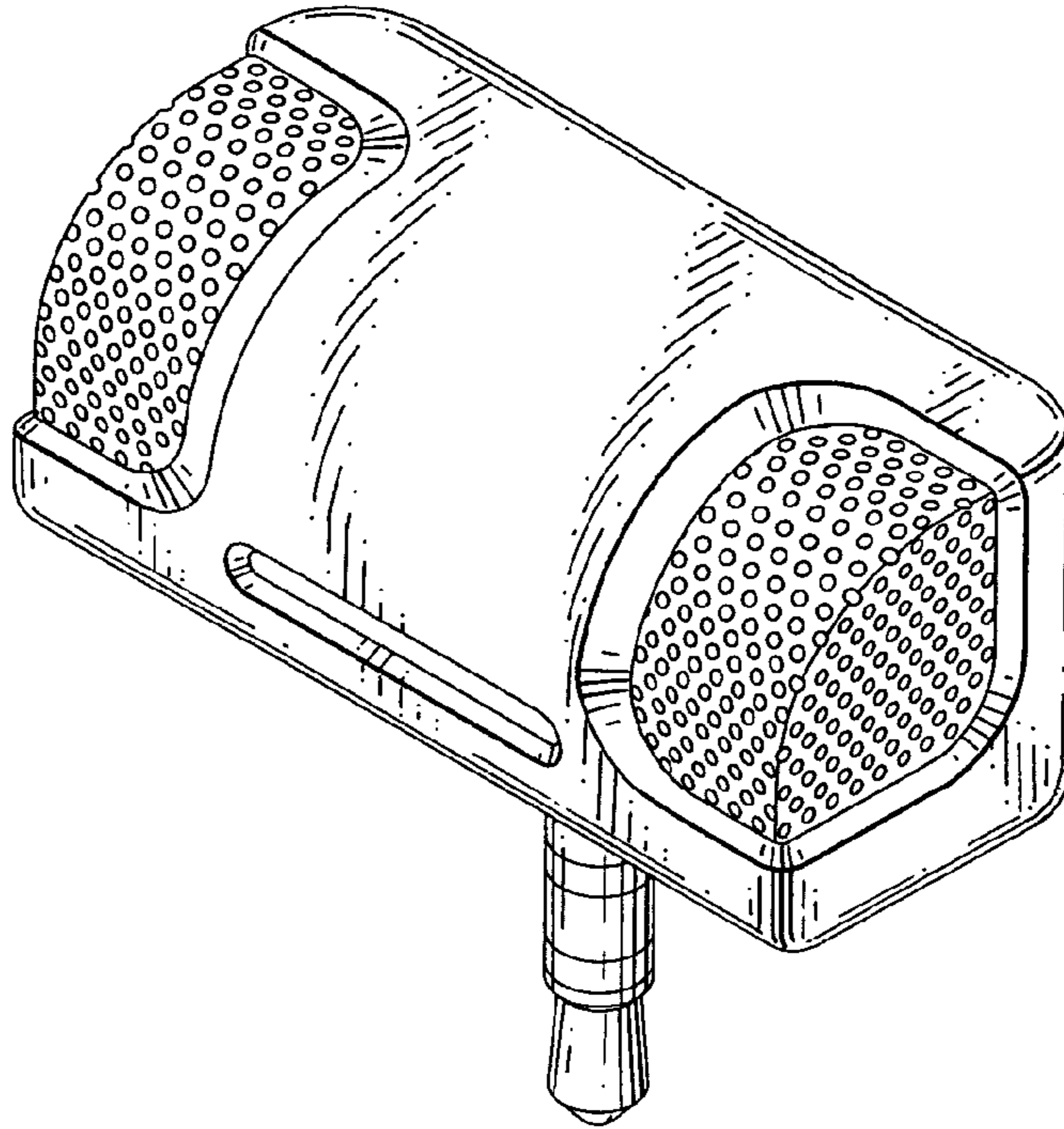


FIG. 2

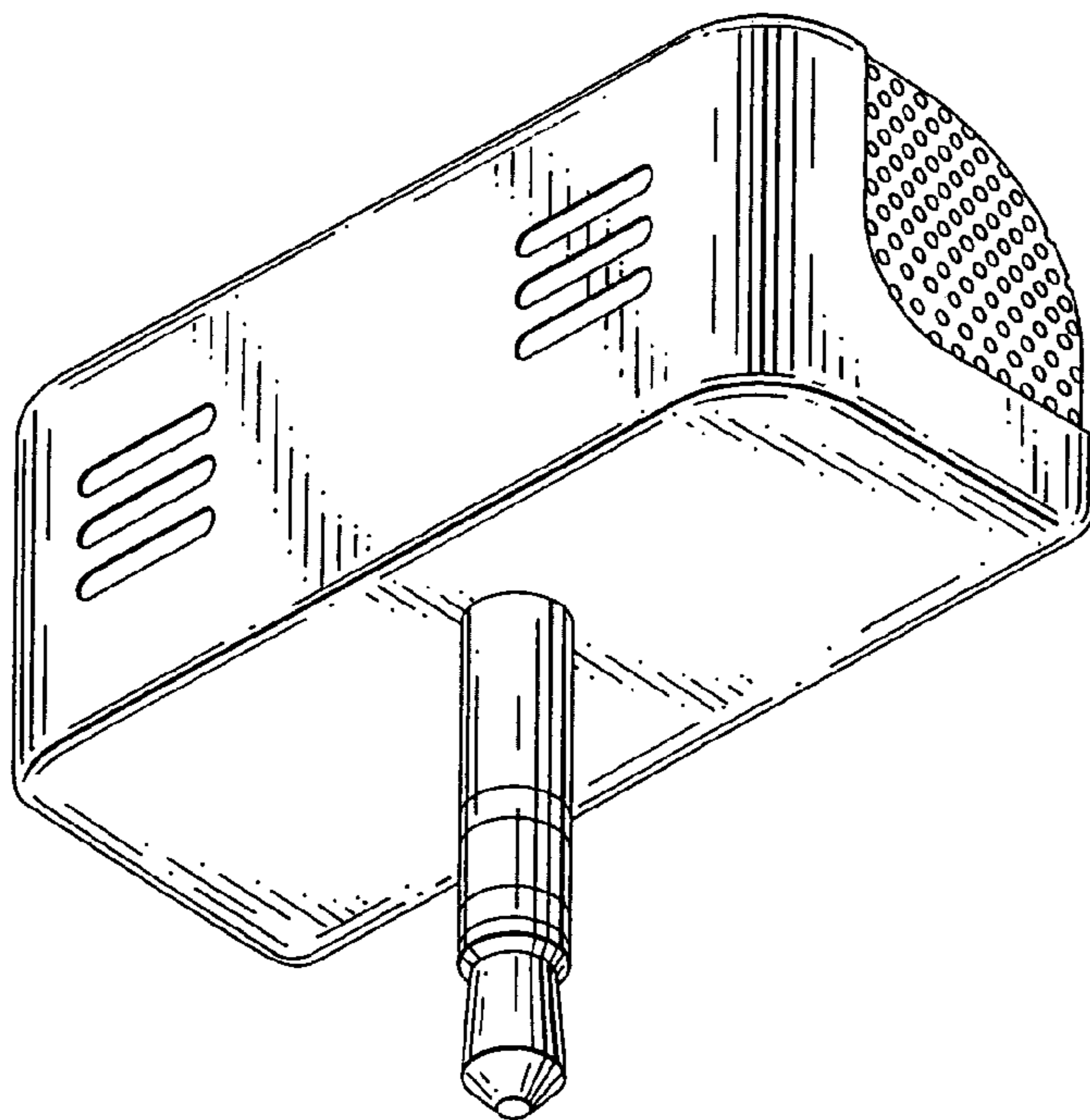


FIG. 3

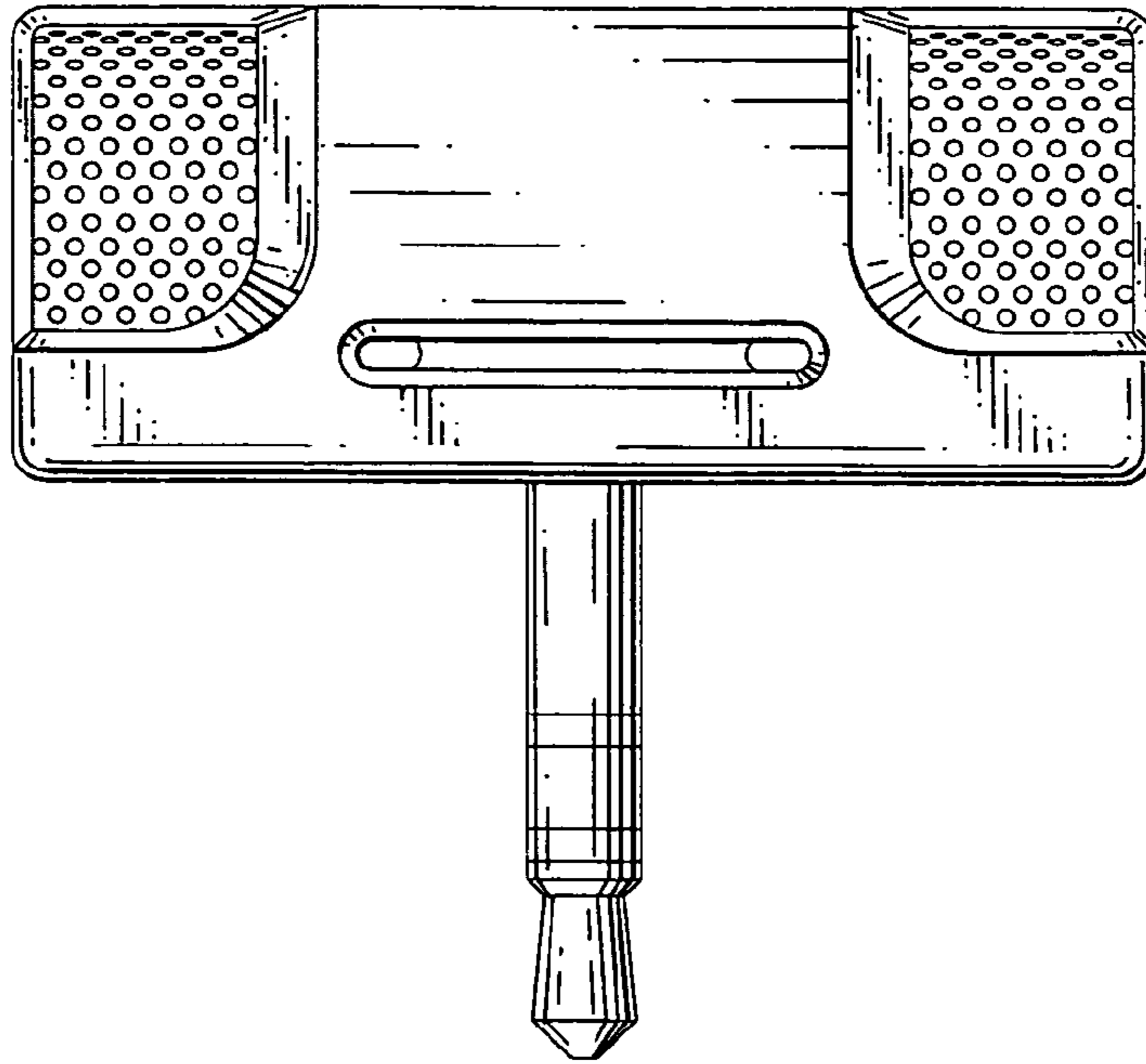


FIG. 4

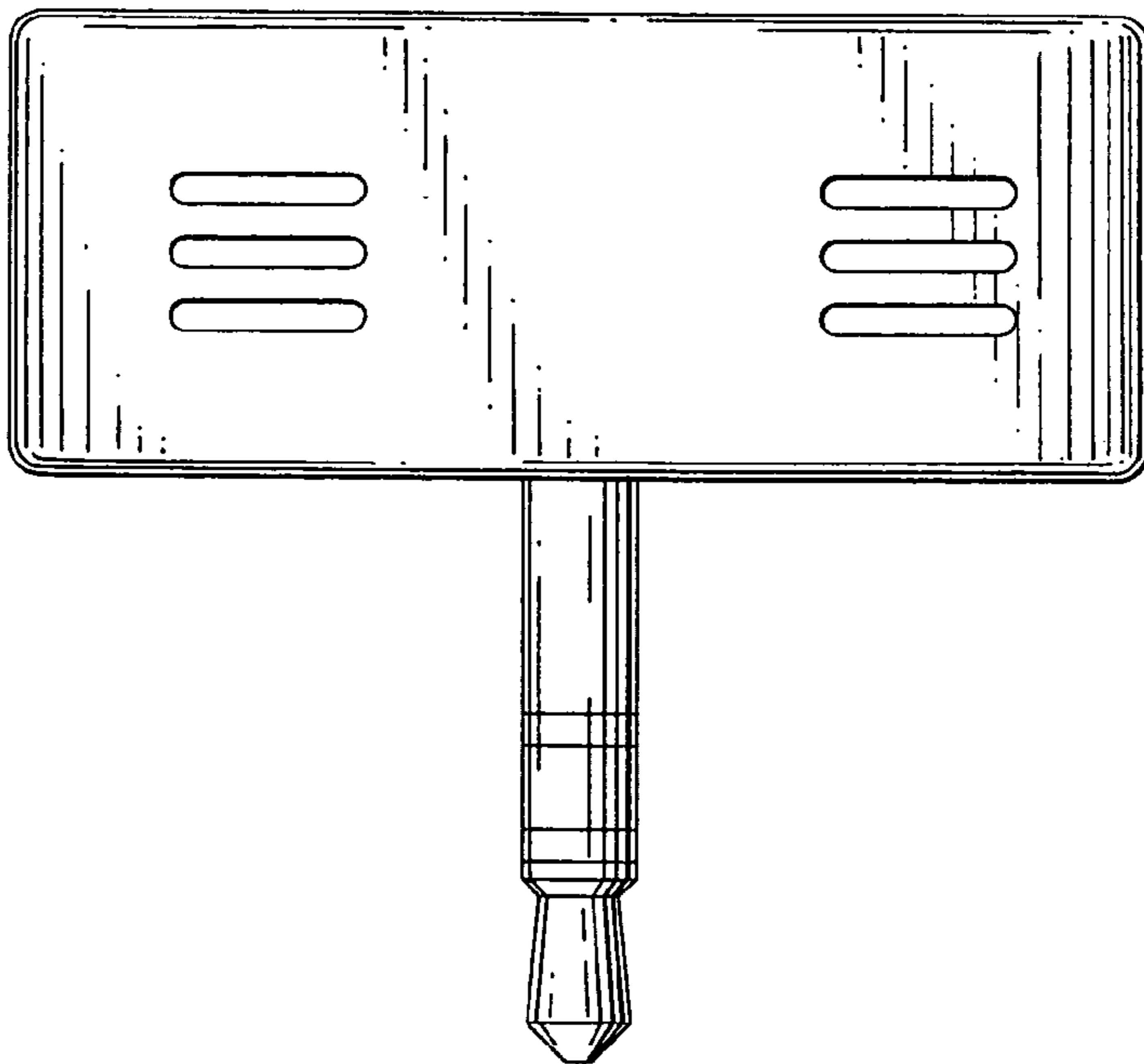


FIG. 5

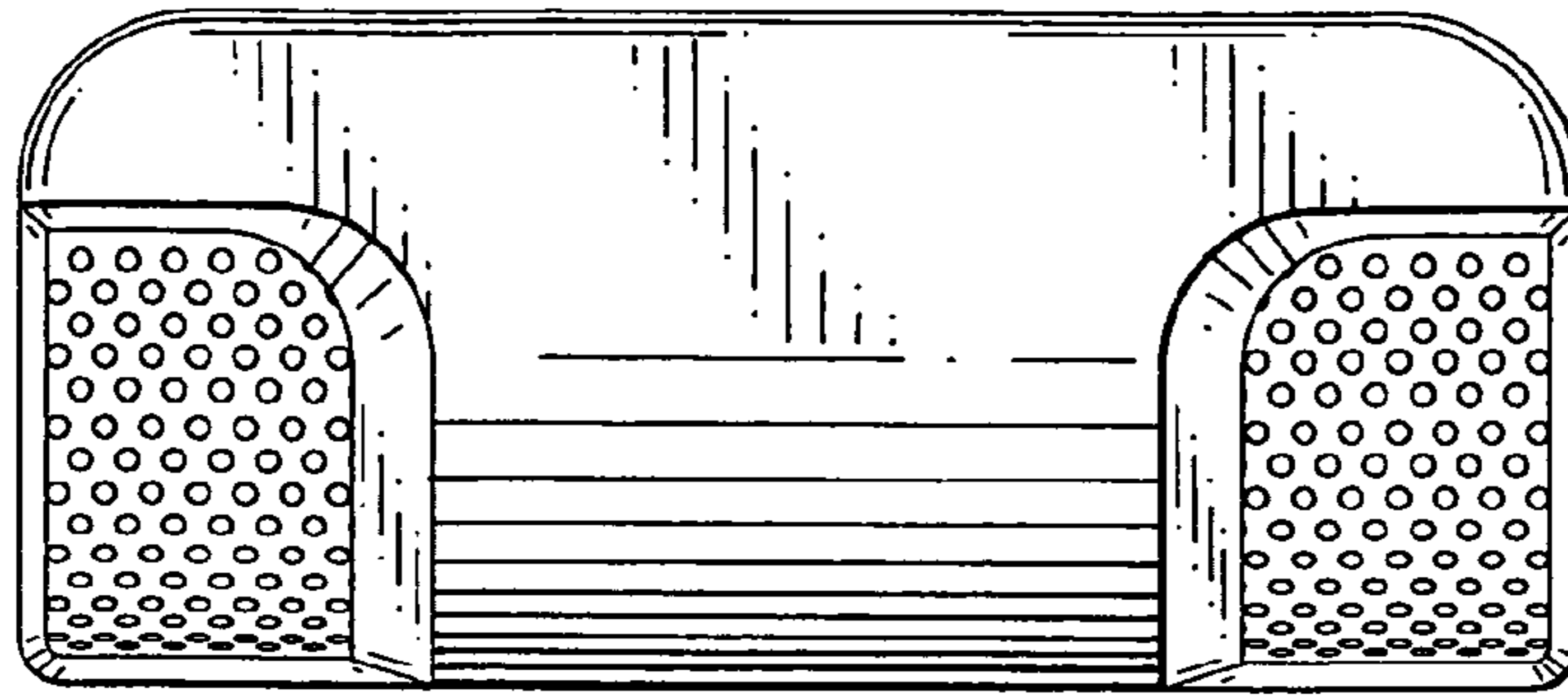


FIG. 6

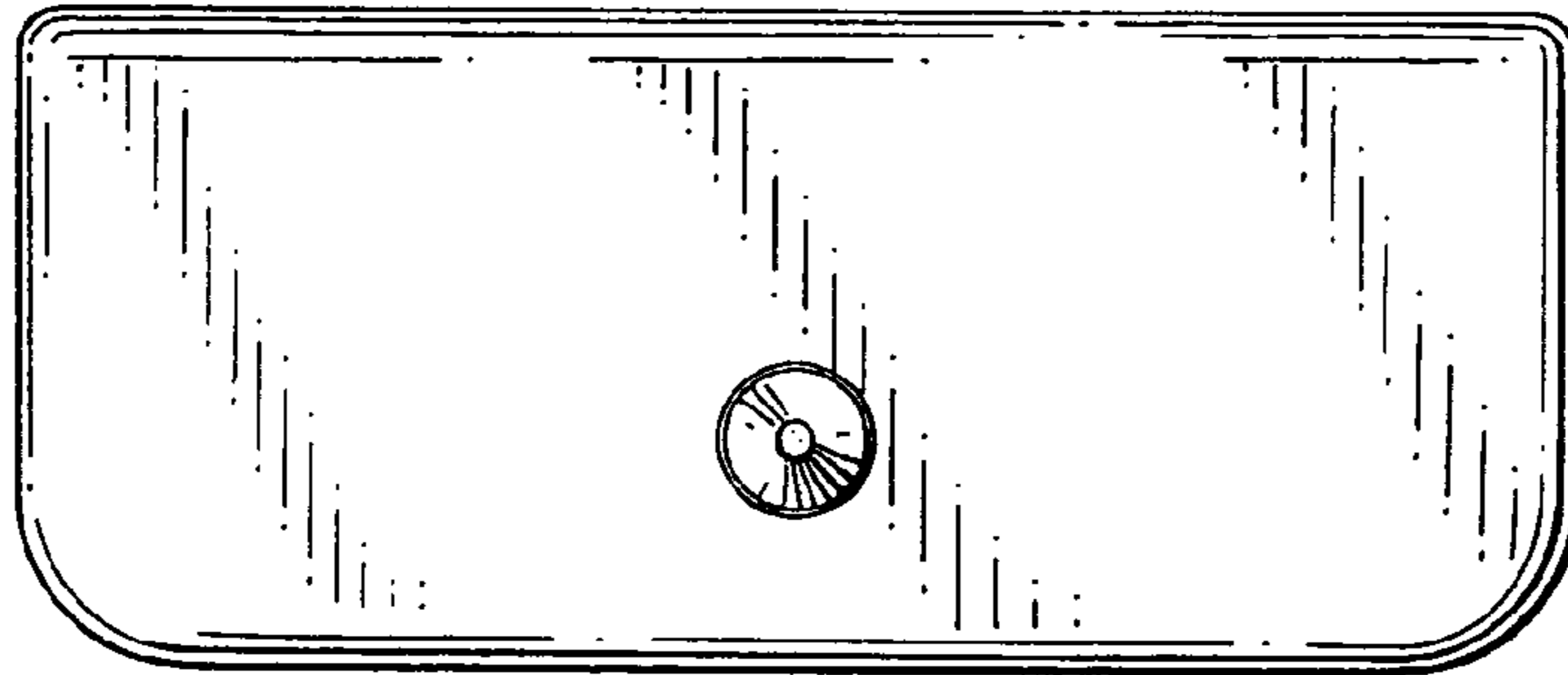


FIG. 7

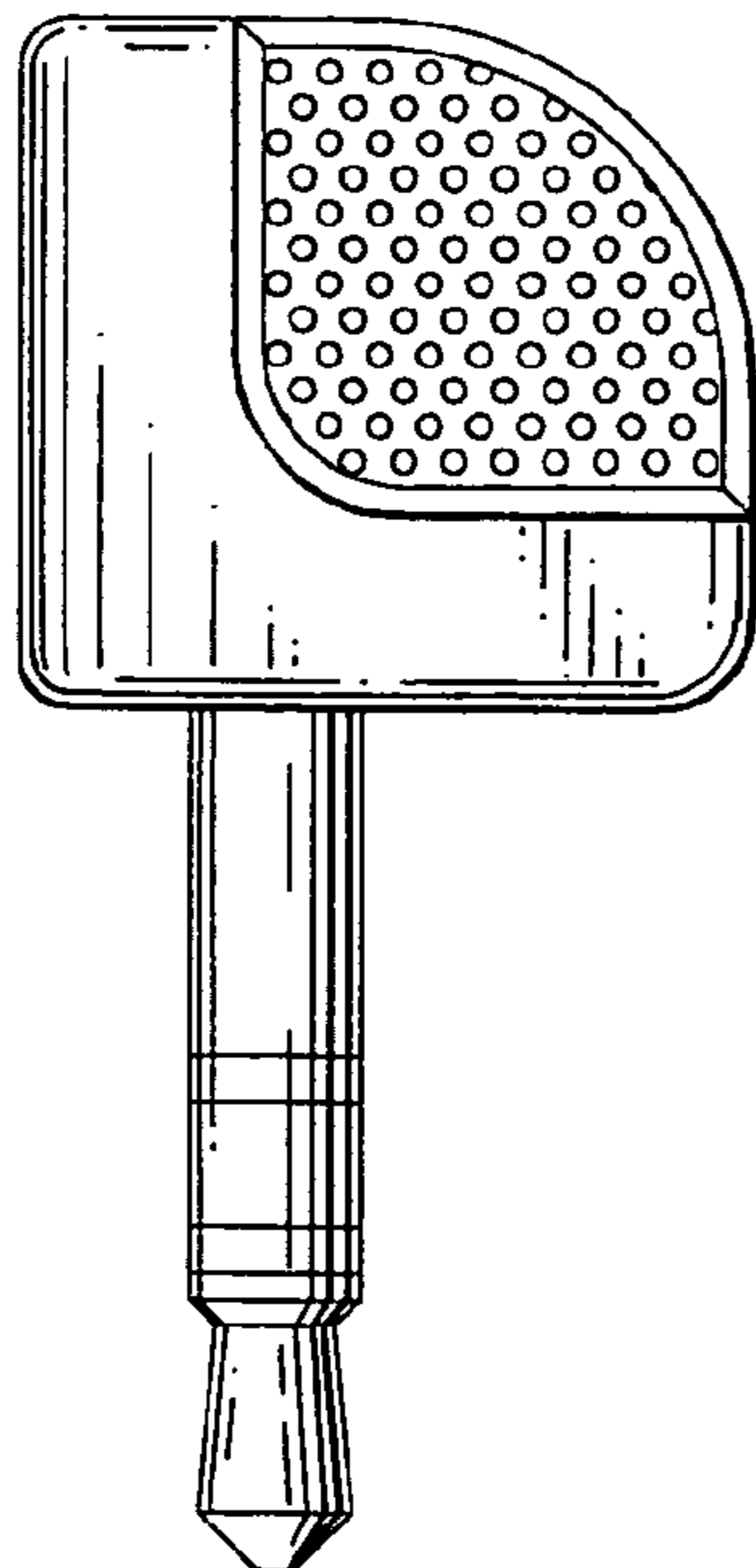


FIG. 8

