



US00D554627S

(12) **United States Design Patent**
Gondo

(10) **Patent No.:** **US D554,627 S**

(45) **Date of Patent:** **** Nov. 6, 2007**

(54) **HEADPHONE**

(75) Inventor: **Makoto Gondo**, Kanagawa (JP)

(73) Assignee: **Victor Company of Japan, Limited**,
Kanagawa (JP)

(**) Term: **14 Years**

(21) Appl. No.: **29/264,327**

(22) Filed: **Aug. 8, 2006**

(30) **Foreign Application Priority Data**

Feb. 8, 2006 (JP) 2006-002761

(51) **LOC (8) Cl.** **14-01**

(52) **U.S. Cl.** **D14/223**

(58) **Field of Classification Search** D14/188,
D14/192, 205, 206, 240, 135, 137, 142, 223;
181/129, 130, 135, 137, 322; 128/866; D24/174;
379/420.04, 430; 381/151, 173, 324, 328,
381/322, 325, 326, 370, 380, 381

See application file for complete search history.

(56) **References Cited**

U.S. PATENT DOCUMENTS

4,965,838 A * 10/1990 Kamon et al. 381/380
D315,350 S * 3/1991 Ikeda D14/223
D340,932 S * 11/1993 Yan D14/249
D369,349 S * 4/1996 Hayashi D14/223
5,953,435 A * 9/1999 Mullin et al. 381/380

D431,553 S * 10/2000 Suzuki D14/223
D474,171 S * 5/2003 Suzuki D14/206
6,574,345 B1 * 6/2003 Huang 381/380
D487,077 S * 2/2004 Obata D14/223
D510,337 S * 10/2005 Tages D14/205
D514,551 S * 2/2006 Lee et al. D14/223
D542,782 S * 5/2007 Pena Angarita D14/223

* cited by examiner

Primary Examiner—Paula A. Greene

(74) *Attorney, Agent, or Firm*—Osha Liang LLP

(57) **CLAIM**

The ornamental design for a headphone, as shown and described.

DESCRIPTION

FIG. 1 is a perspective view of the design according to the invention.

FIG. 2 is a front view of the design according to the invention.

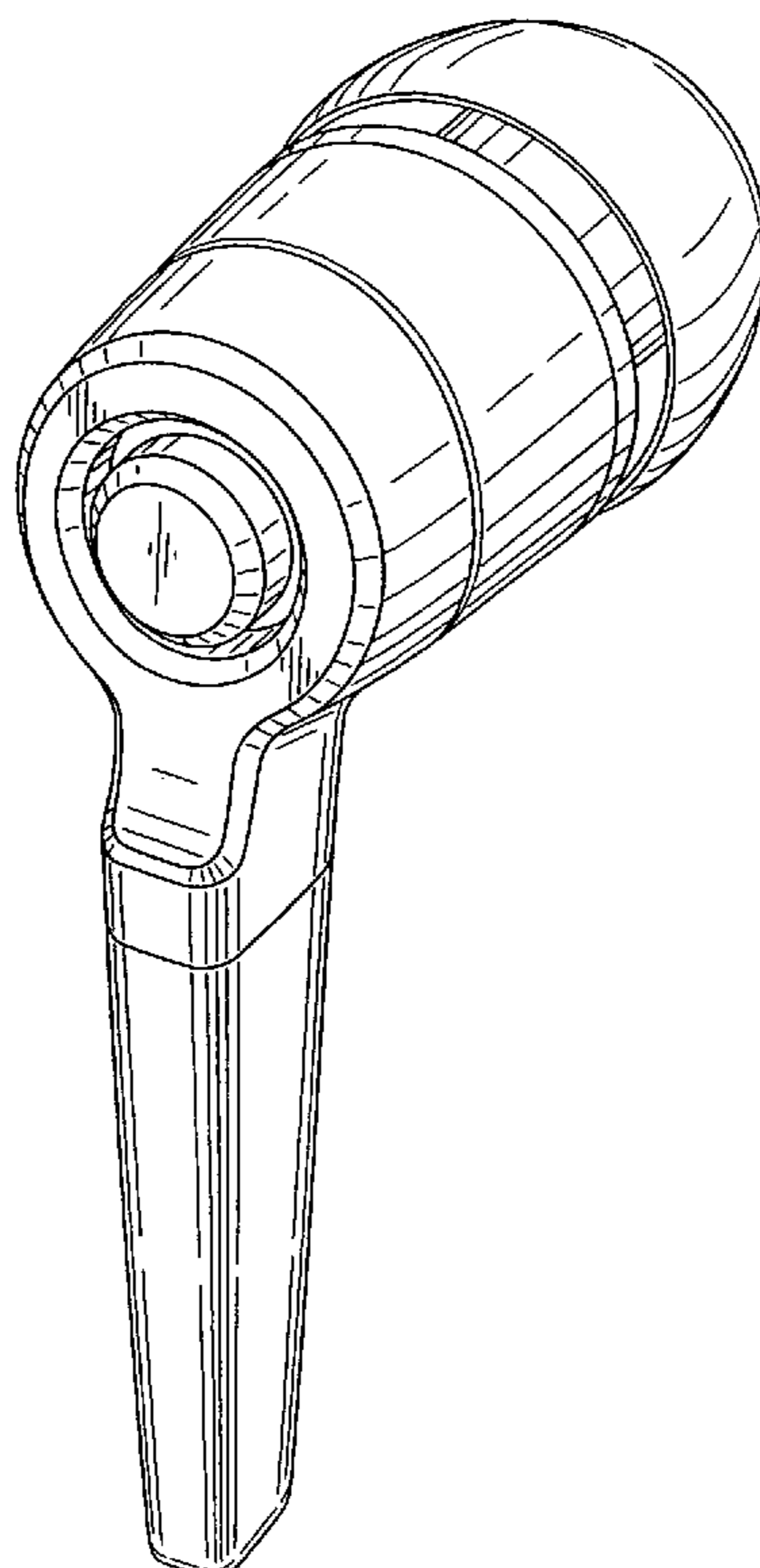
FIG. 3 is a rear view of the design according to the invention.

FIG. 4 is a top view of the design according to the invention.

FIG. 5 is a bottom view of the design according to the invention; and,

FIG. 6 is a left side view of the design according to the invention.

1 Claim, 4 Drawing Sheets



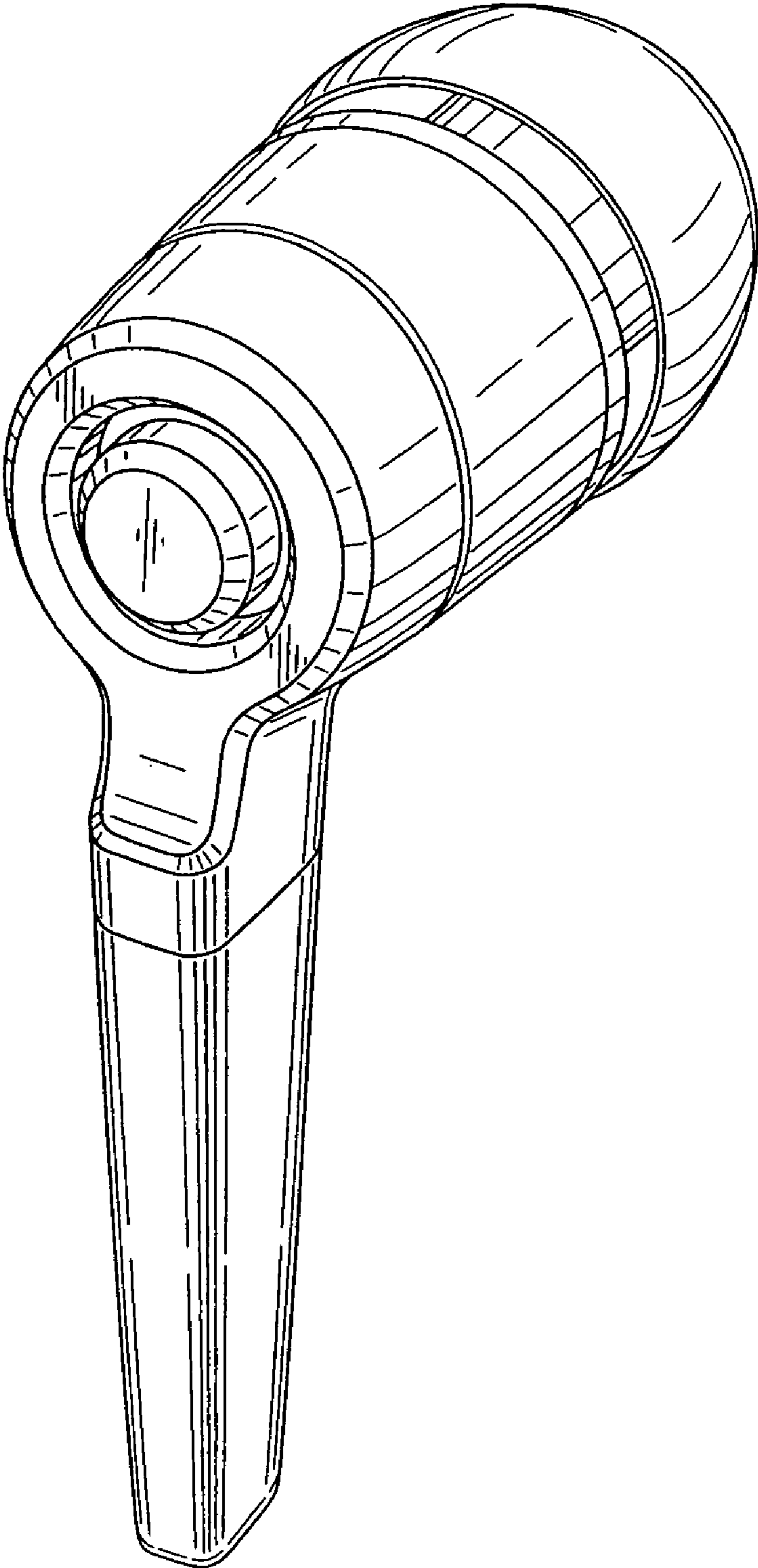


FIG. 1

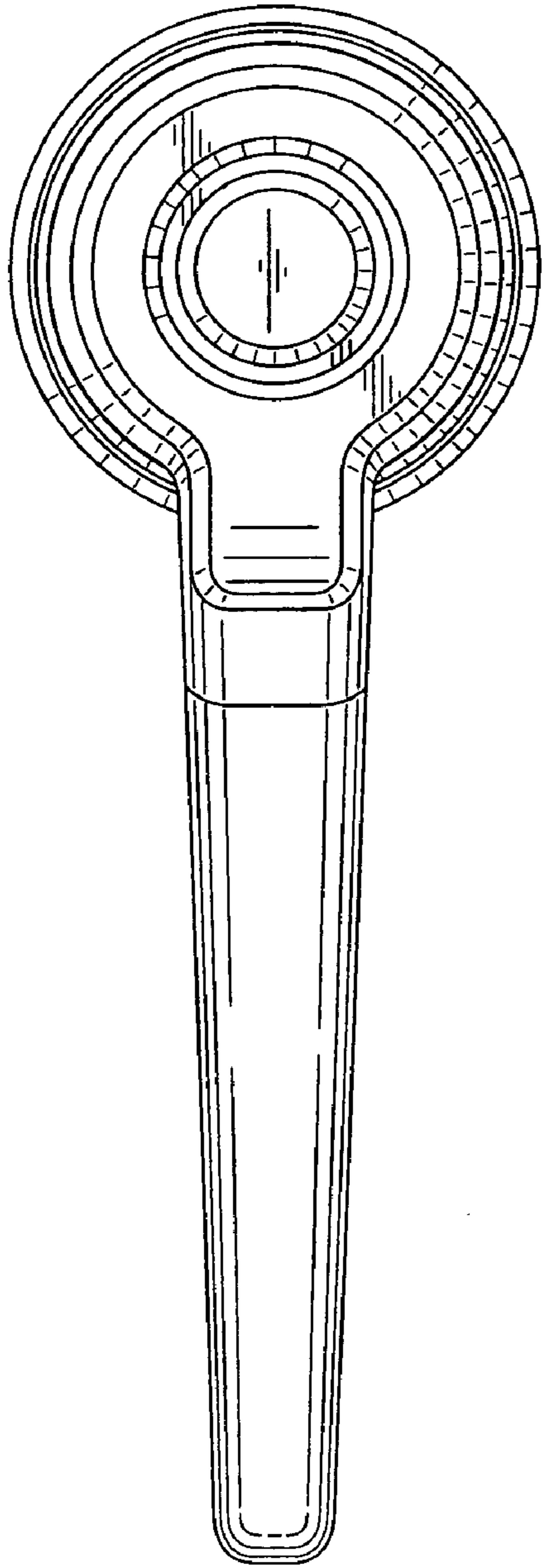


FIG. 2

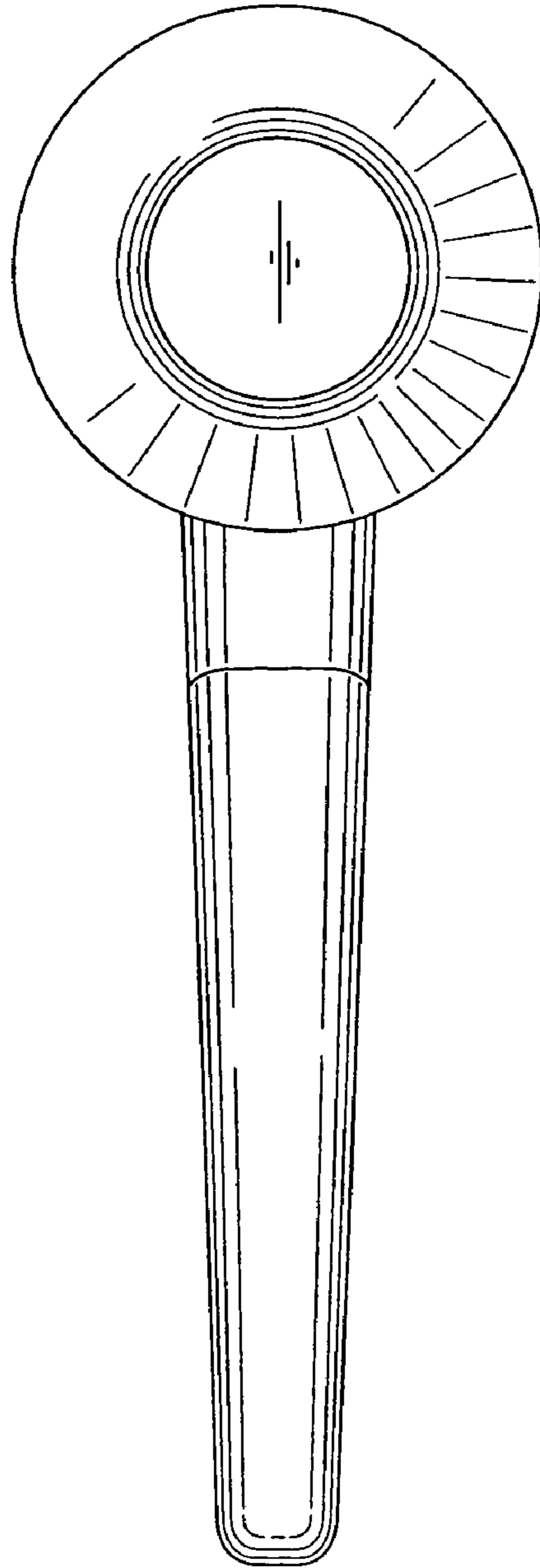


FIG. 3

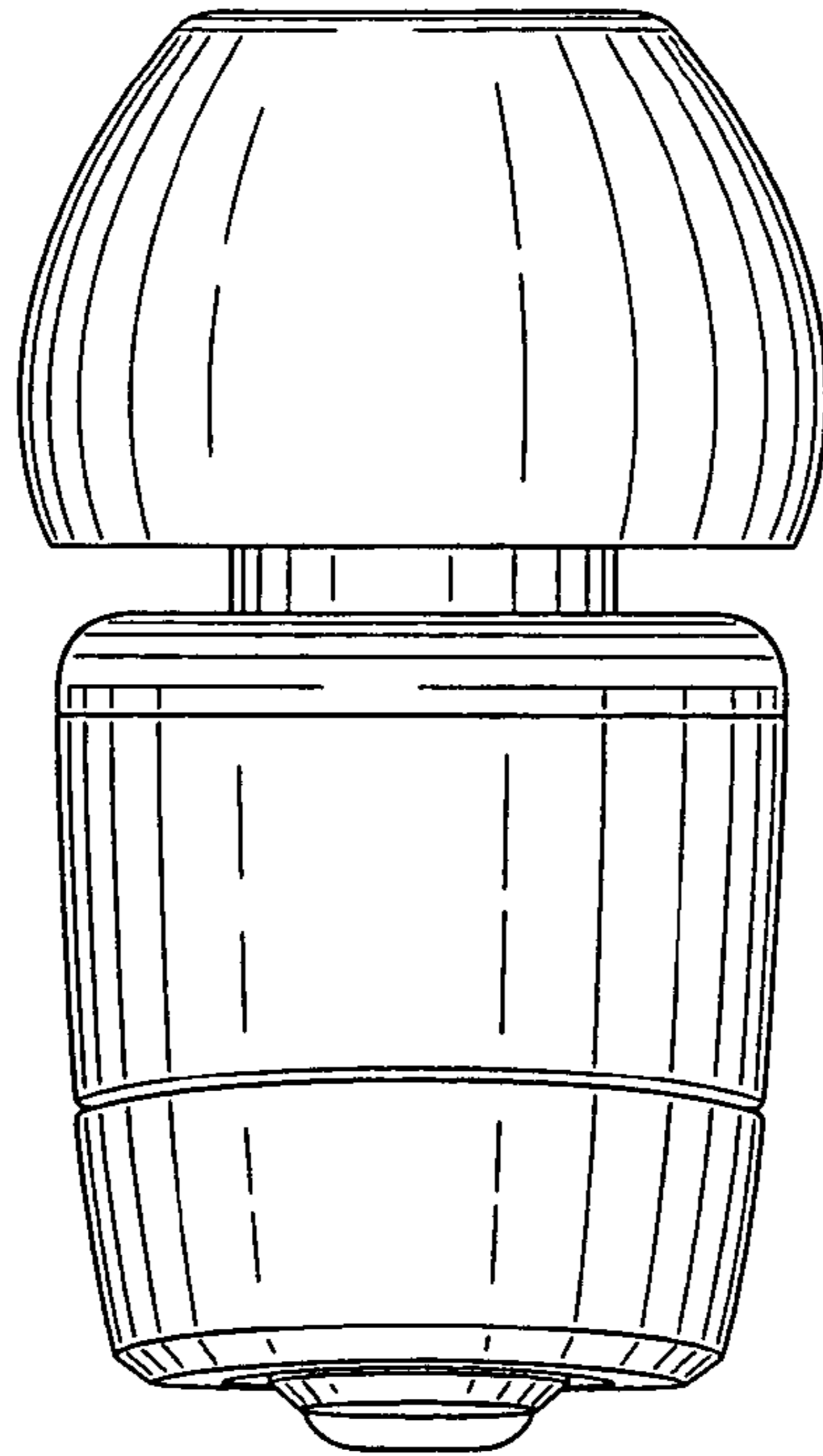


FIG. 4

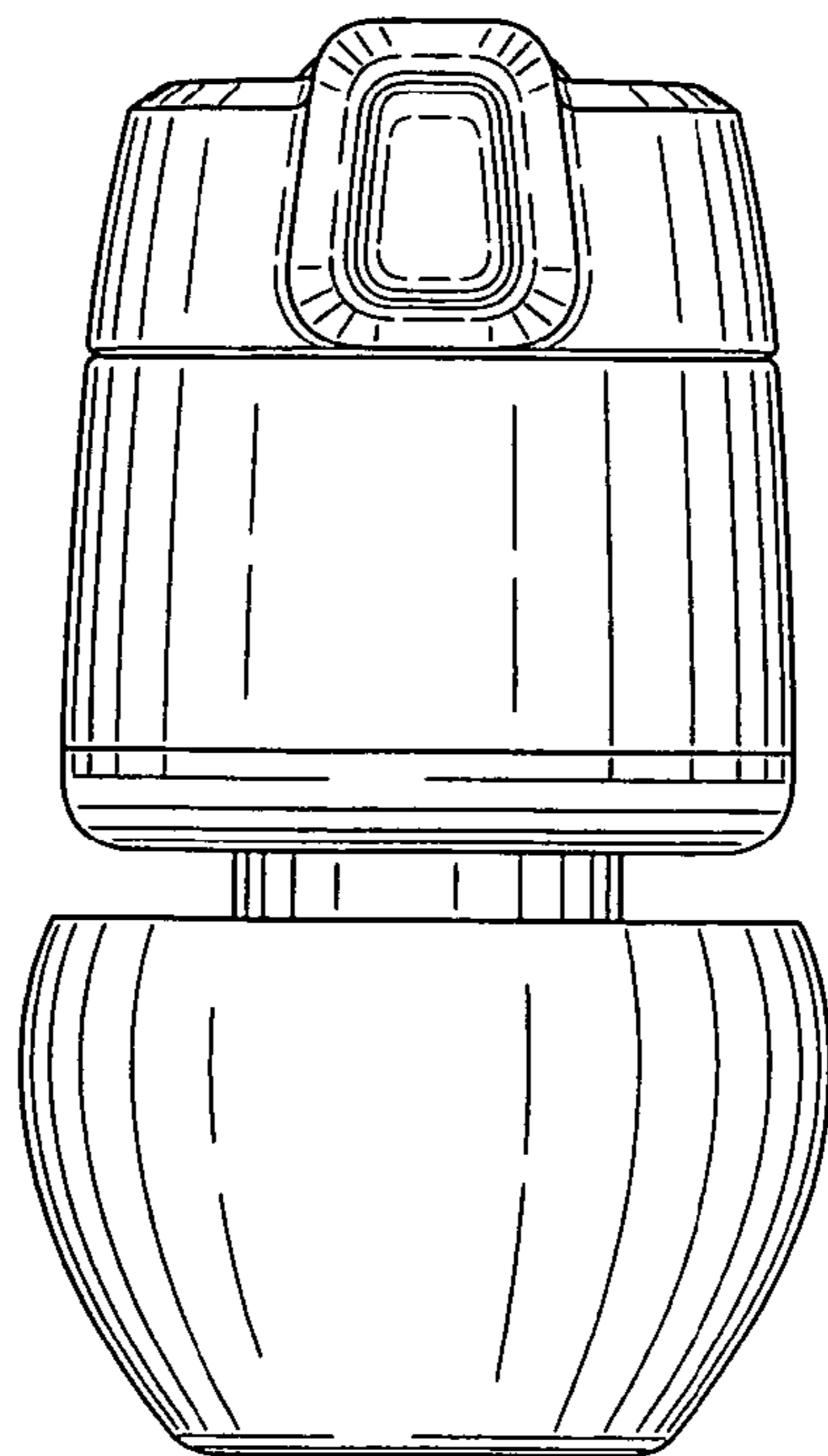


FIG. 5

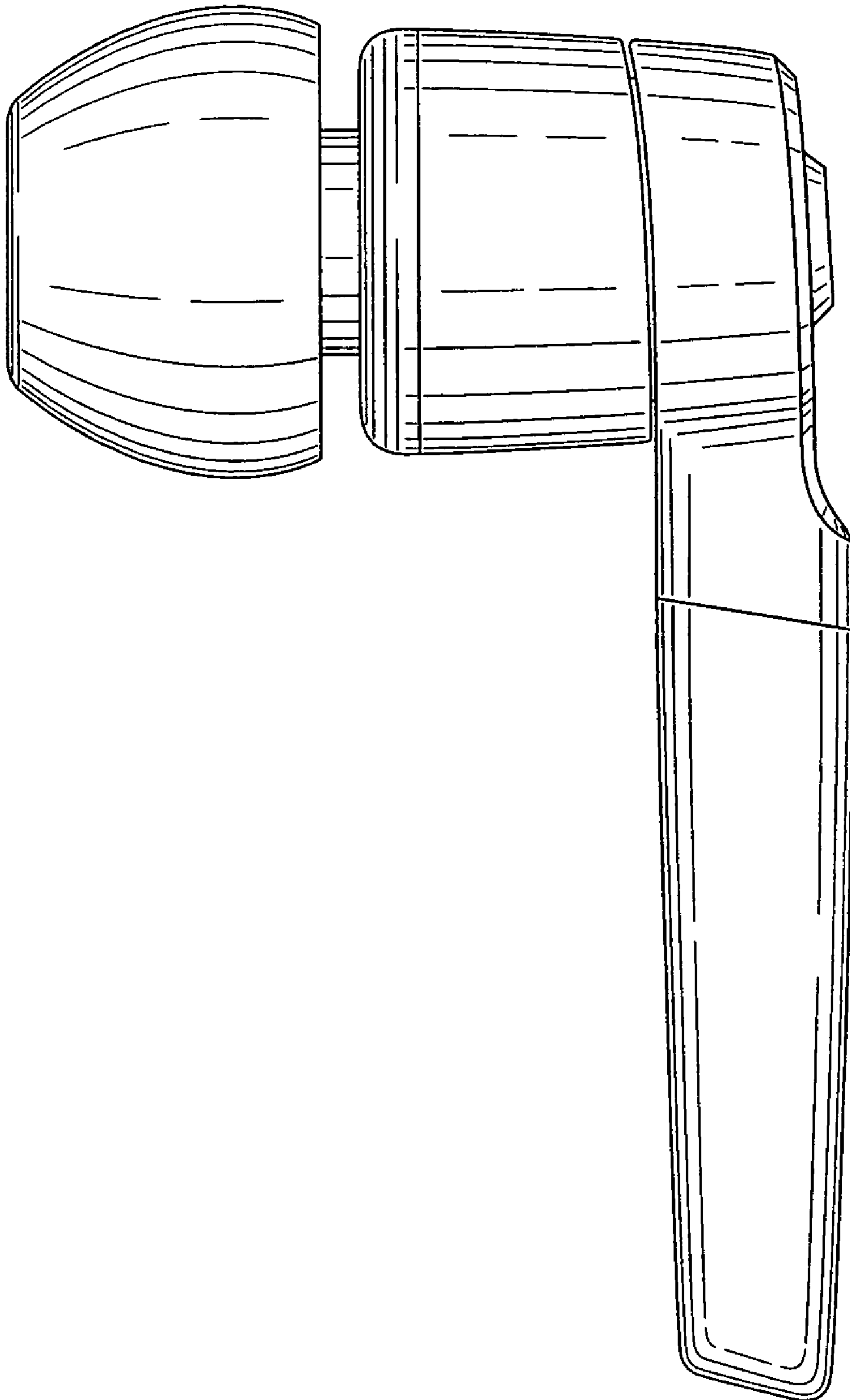


FIG. 6