



US00D554626S

(12) **United States Design Patent**
Christopher

(10) **Patent No.:** **US D554,626 S**

(45) **Date of Patent:** **** Nov. 6, 2007**

(54) **HEADSET FOR A RADIO COMMUNICATION DEVICE**

D526,313 S * 8/2006 Murray D14/223

(75) Inventor: **Stephen M. Christopher**, Chicago, IL (US)

* cited by examiner

Primary Examiner—Paula A. Greene

(74) *Attorney, Agent, or Firm*—David S. Noskowitz

(73) Assignee: **Motorola, Inc.**, Schaumburg, IL (US)

(57) **CLAIM**

(**) Term: **14 Years**

The ornamental headset for a radio communication device.

(21) Appl. No.: **29/247,999**

DESCRIPTION

(22) Filed: **Jul. 25, 2006**

FIG. 1 is a perspective view of a first embodiment of an ornamental headset for a radio communication device.

(51) **LOC (8) Cl.** **14-01**

(52) **U.S. Cl.** **D14/223**

FIG. 2 is a front view of the first embodiment thereof.

(58) **Field of Classification Search** D14/188,

D14/192, 205–206, 223, 174; 379/430, 446;

381/374, 376, 377, 378, 330; 181/129–130

See application file for complete search history.

FIG. 3 is a rear view of the first embodiment thereof.

FIG. 4 is a first side view of the first embodiment thereof.

FIG. 5 is a second side view of the first embodiment thereof.

FIG. 6 is a top view of the first embodiment thereof; and,

FIG. 7 is a bottom view of the first embodiment thereof.

The broken line portions of the drawings form no part of the claimed design or a specified embodiment thereof.

(56) **References Cited**

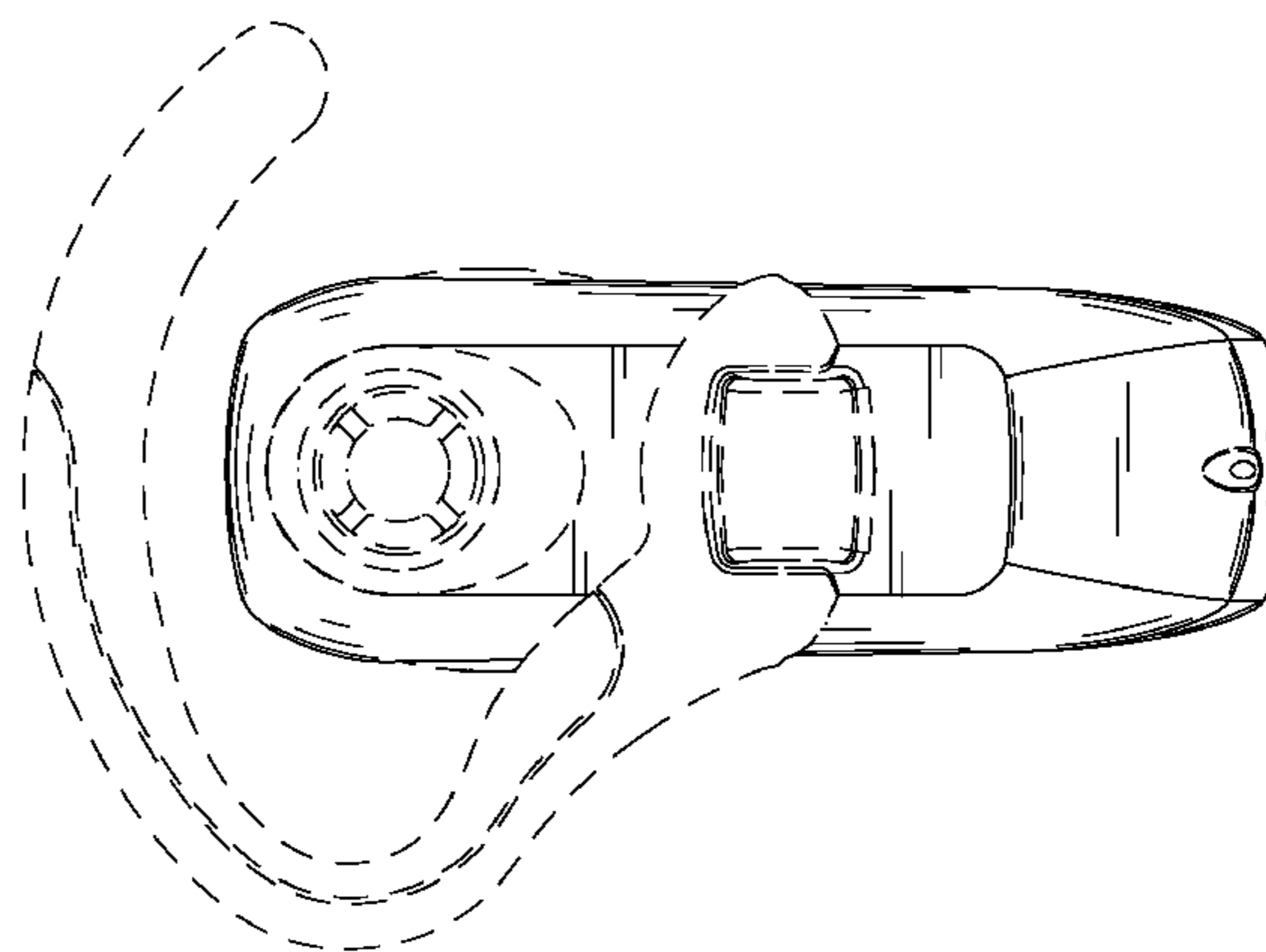
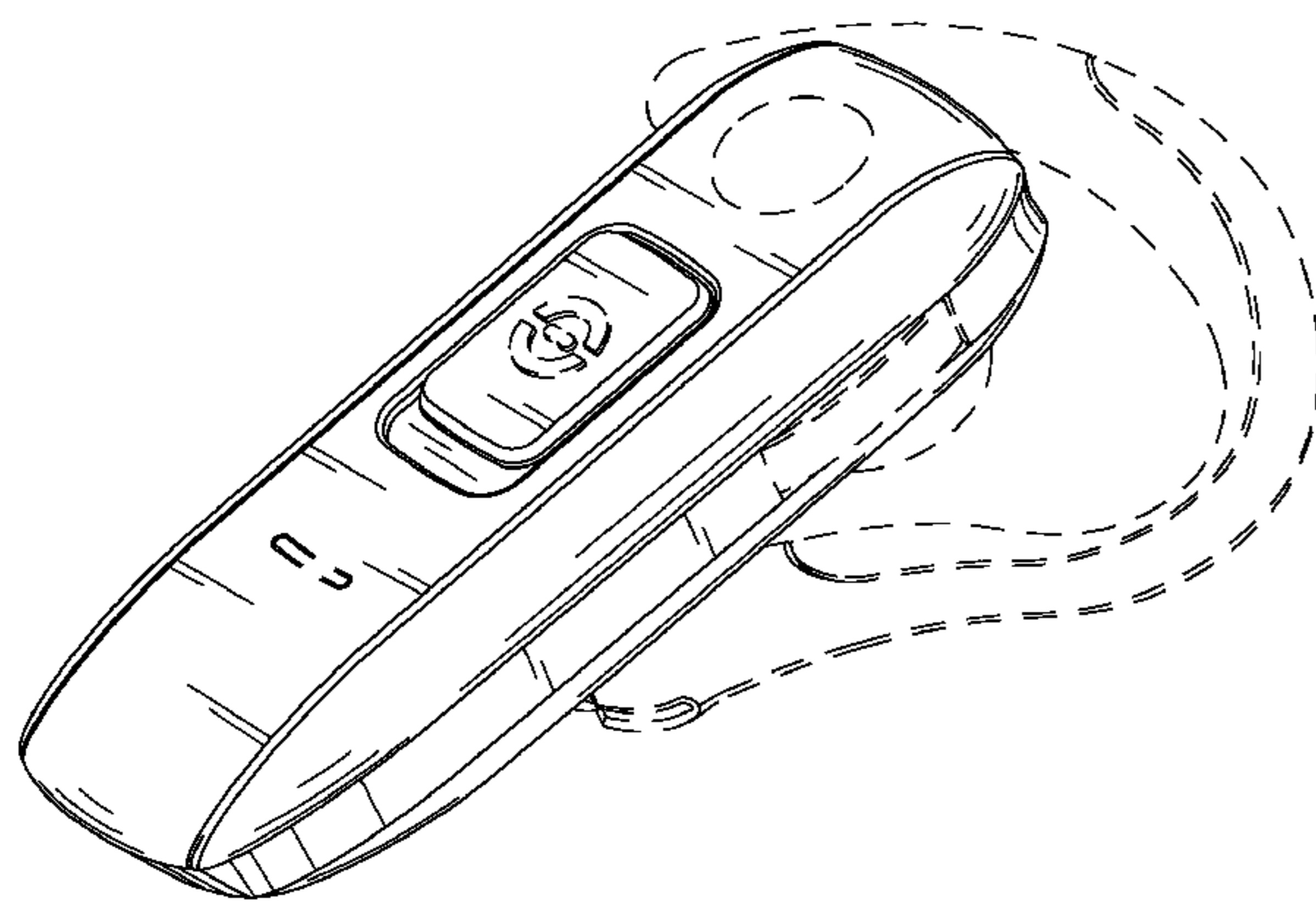
U.S. PATENT DOCUMENTS

D508,485 S * 8/2005 Katsumata D14/223

D512,991 S * 12/2005 Yano D14/223

D520,497 S * 5/2006 Yang D14/223

1 Claim, 4 Drawing Sheets



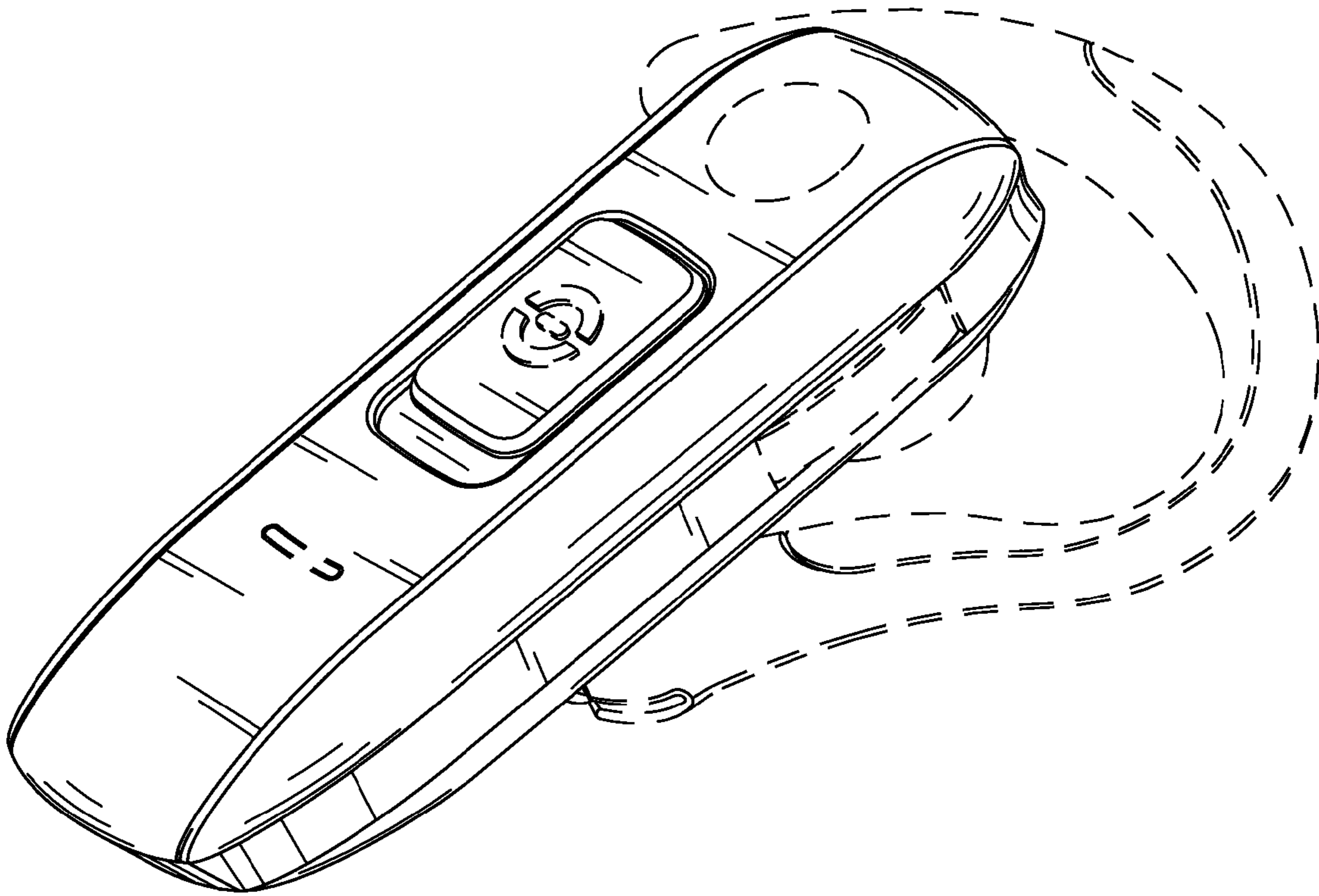


FIG. 1

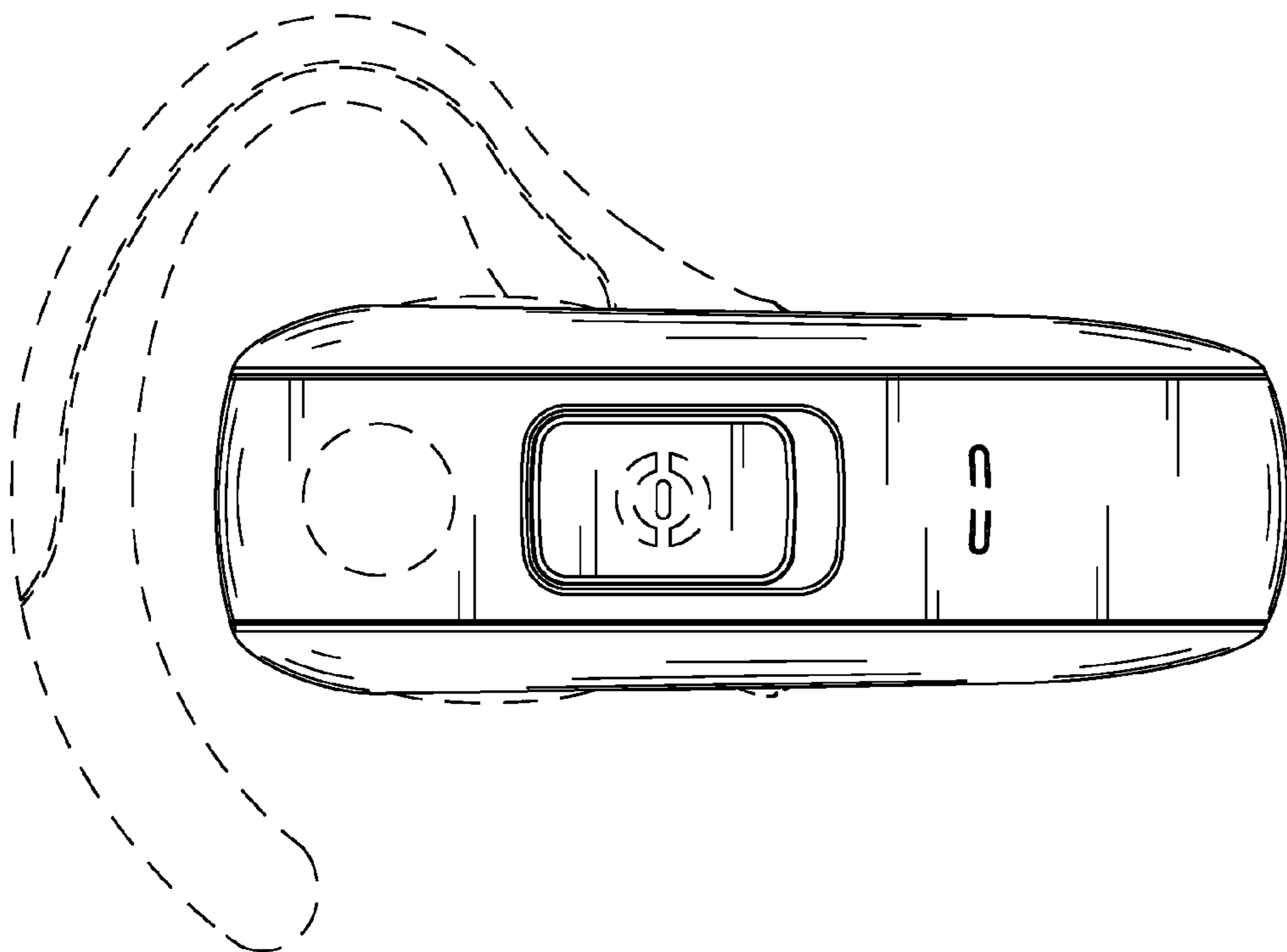


FIG. 2

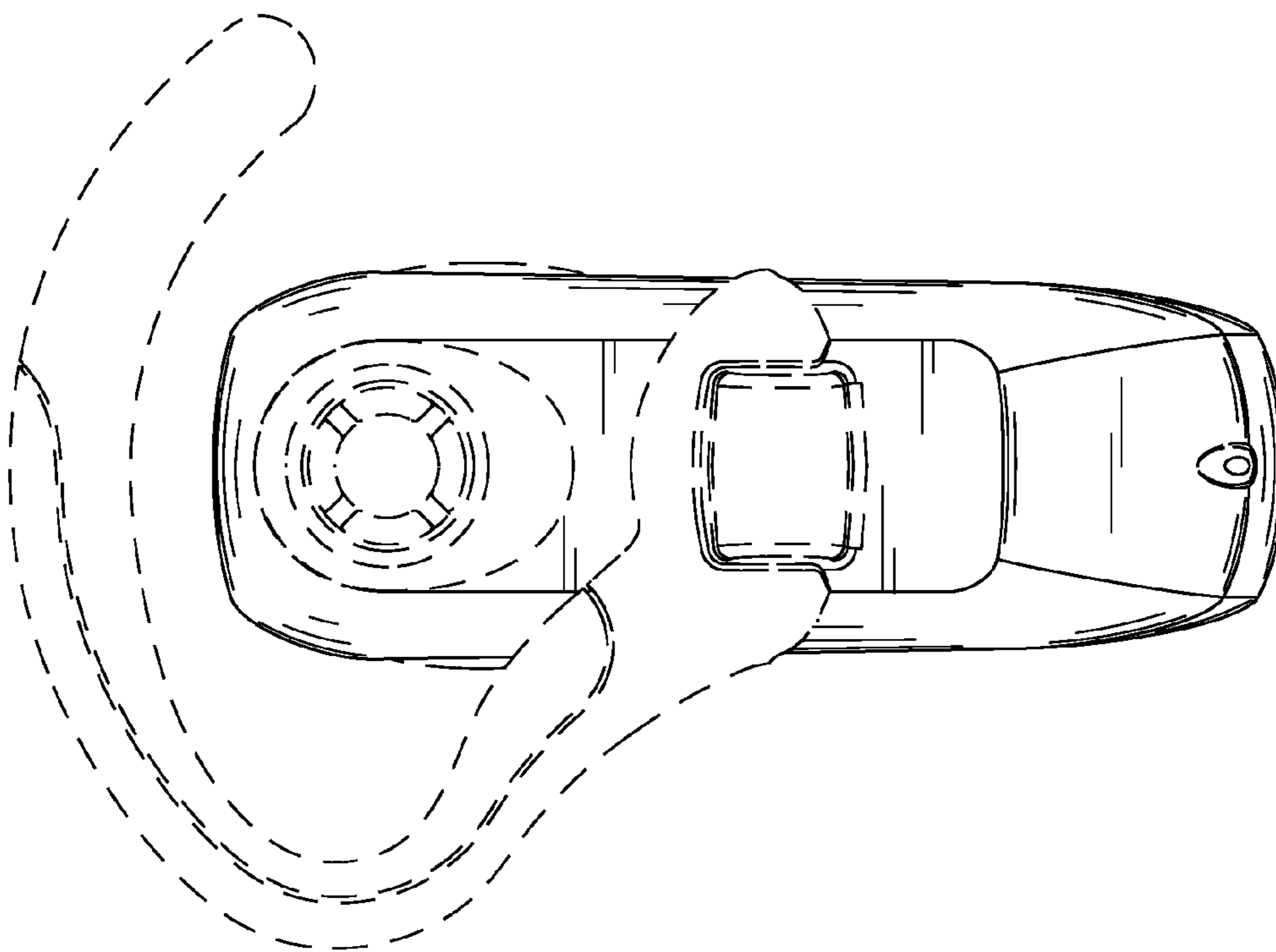


FIG. 3

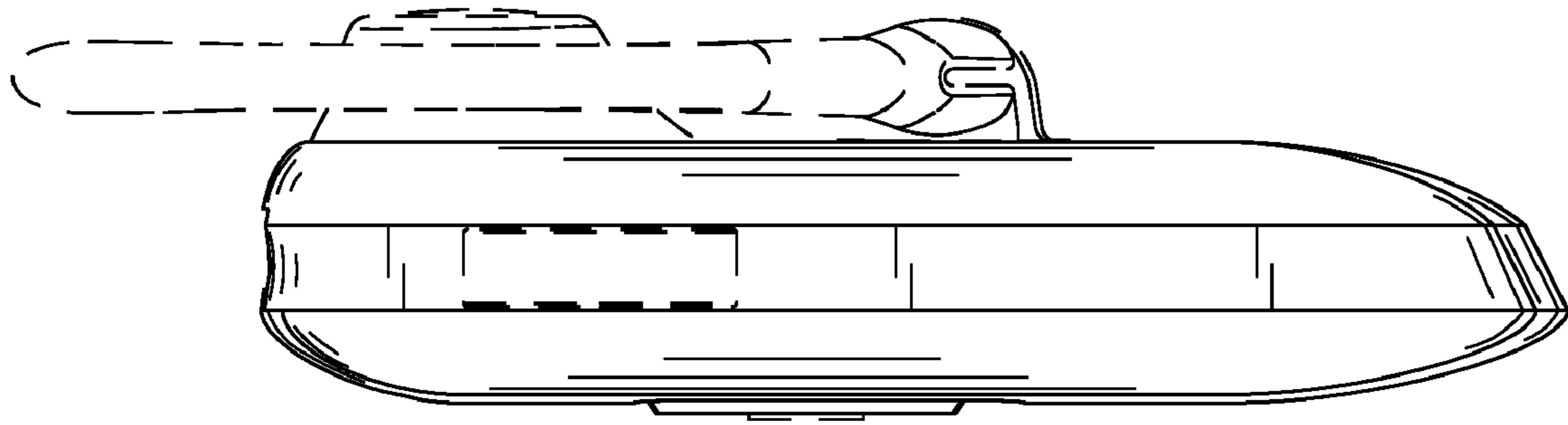


FIG. 4

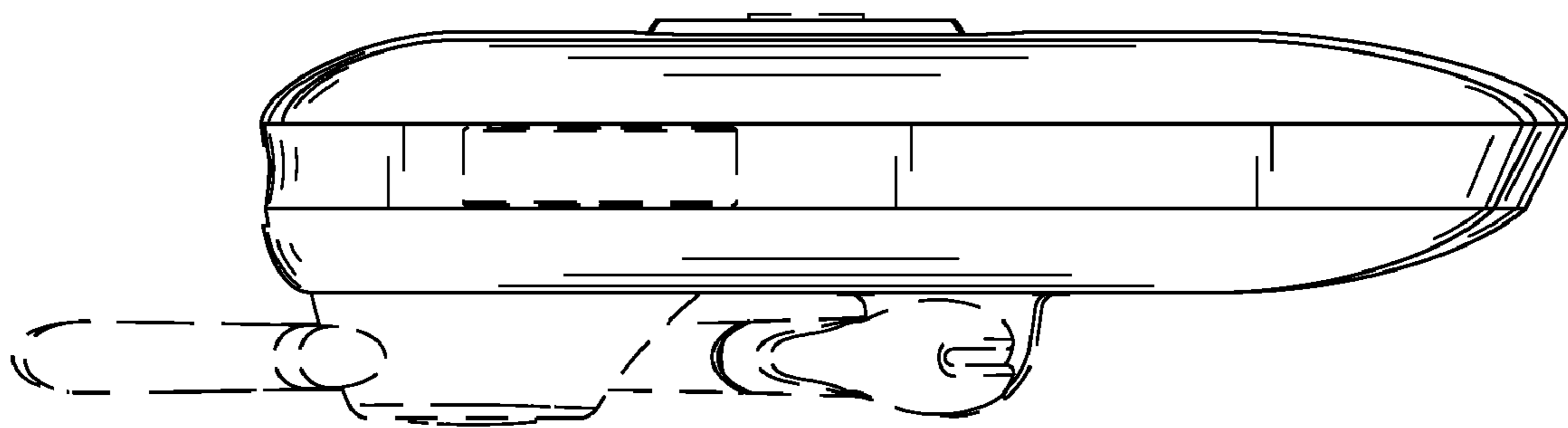


FIG. 5

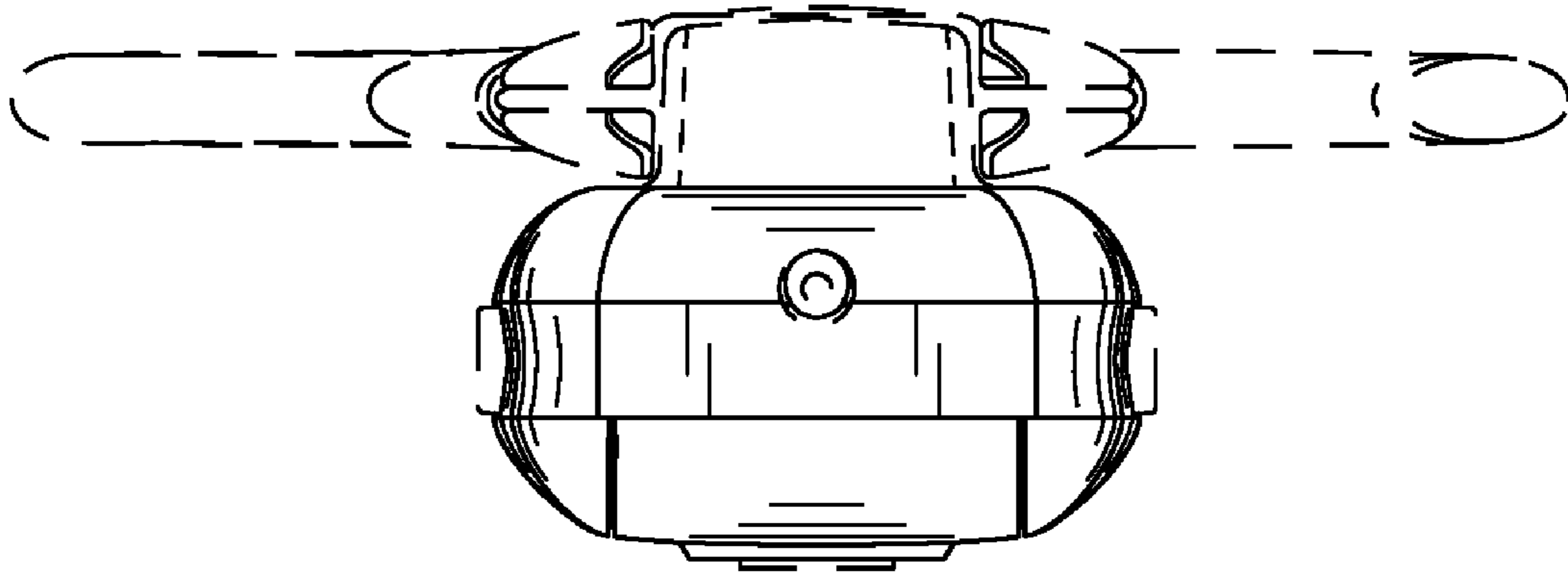


FIG. 6

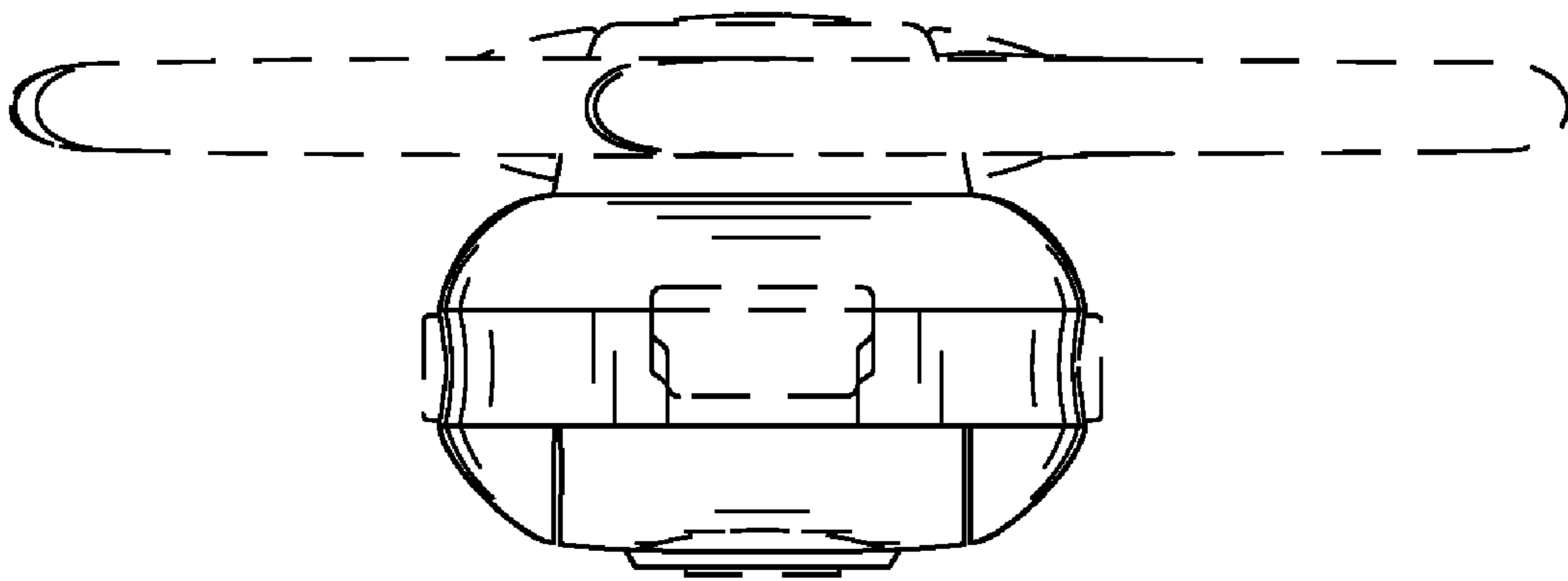


FIG. 7