



US00D554625S

(12) **United States Design Patent**
Kato

(10) **Patent No.:** **US D554,625 S**

(45) **Date of Patent:** **** Nov. 6, 2007**

(54) **REMOTE CONTROL**

(75) Inventor: **Manabu Kato**, Sakai (JP)

(73) Assignee: **Daikin Industries Ltd.**, Osaka-Shi,
Osaka (JP)

(**) Term: **14 Years**

(21) Appl. No.: **29/270,621**

(22) Filed: **Dec. 29, 2006**

(51) **LOC (8) Cl.** **14-03**

(52) **U.S. Cl.** **D14/218**

(58) **Field of Classification Search** D14/174,
D14/137-139, 151, 217, 218, 191-193, 167,
D14/299, 168, 247, 455, 456; D13/168,
D13/162-164; D21/512-517, 566; D10/104,
D10/106; 345/169; 348/114, 734; 455/352-355,
455/151.1-151.4, 128, 347, 90.3
See application file for complete search history.

(56) **References Cited**

U.S. PATENT DOCUMENTS

- D366,876 S * 2/1996 Labohm D14/218
- D371,198 S * 6/1996 Savage et al. D24/169
- D423,508 S * 4/2000 Nakajima D14/218
- D442,559 S * 5/2001 Marcomini D13/162
- D448,757 S * 10/2001 Okubo D14/218

- D478,894 S * 8/2003 Oikawa D14/218
- D482,379 S * 11/2003 Utsunomiya D16/219
- D488,391 S * 4/2004 Kume D10/32
- D489,052 S * 4/2004 Shiraki et al. D14/156
- D493,148 S * 7/2004 Shibata et al. D13/168
- D501,463 S * 2/2005 Hisatsune D14/218

* cited by examiner

Primary Examiner—Louis S. Zarfes

Assistant Examiner—John Windmuller

(74) *Attorney, Agent, or Firm*—Manabu Kanesaka

(57) **CLAIM**

The ornamental design for a remote control, as shown and described.

DESCRIPTION

FIG. 1 is a perspective view of a remote control showing my new design;

FIG. 2 is a front elevational view thereof;

FIG. 3 is a bottom plan view thereof;

FIG. 4 is a top plan view thereof;

FIG. 5 is a rear elevational view thereof;

FIG. 6 is a right side elevational view thereof; and,

FIG. 7 is a left side elevational view thereof.

1 Claim, 3 Drawing Sheets

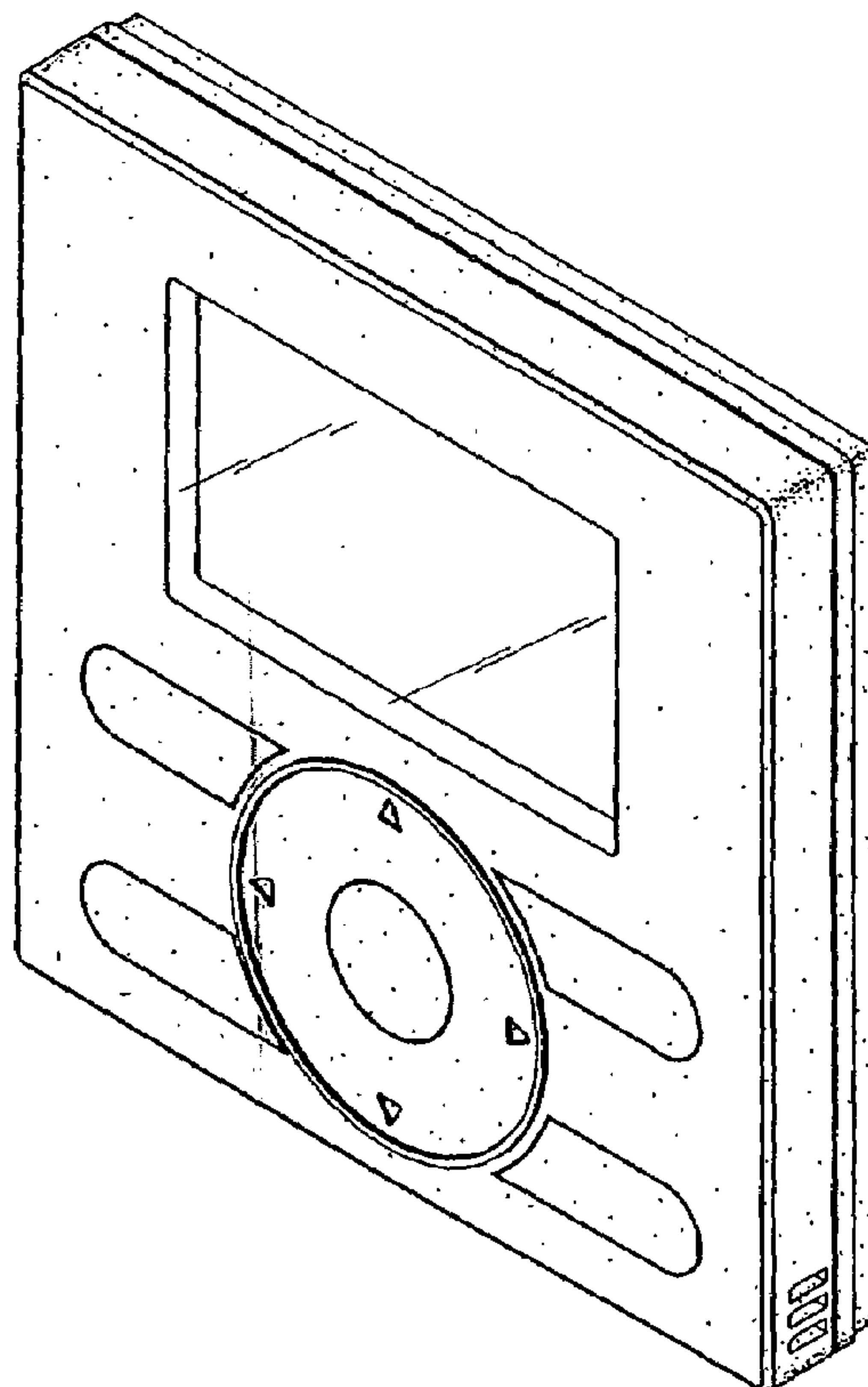


Fig. 1

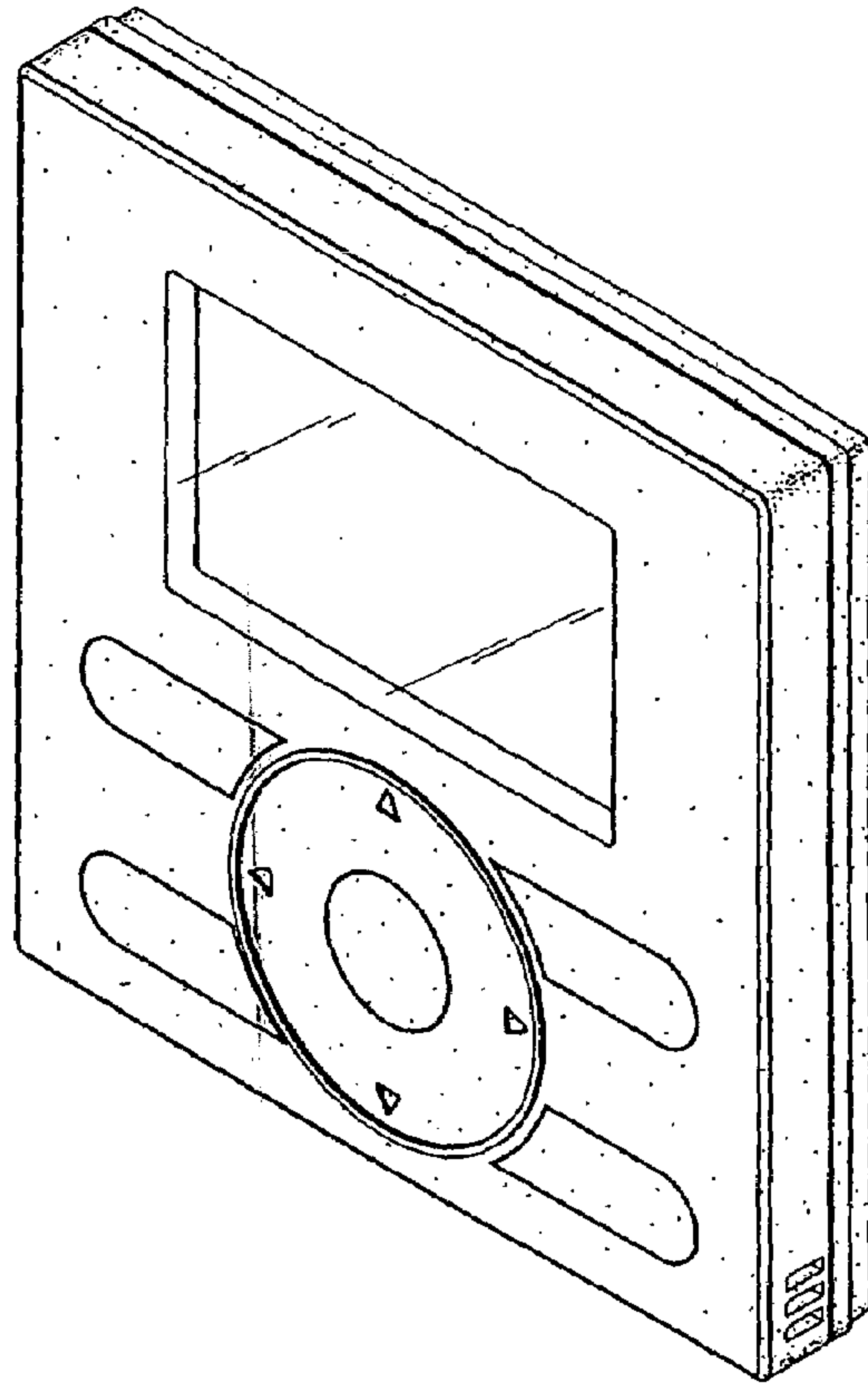


Fig. 2

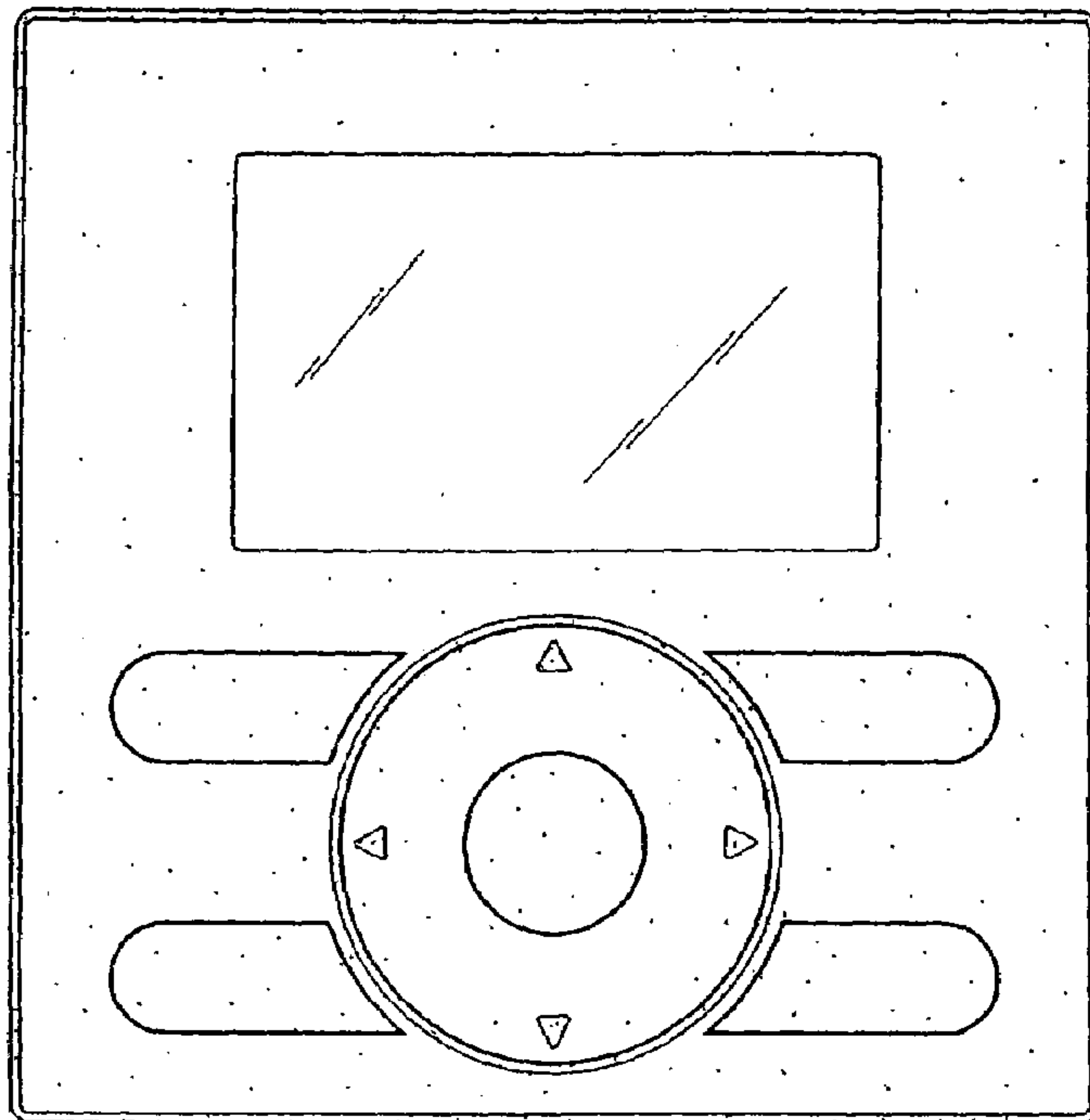


Fig. 3

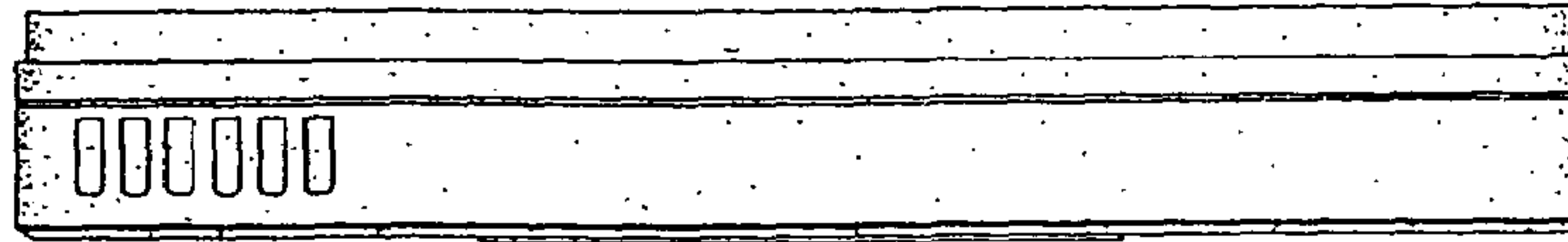


Fig. 4

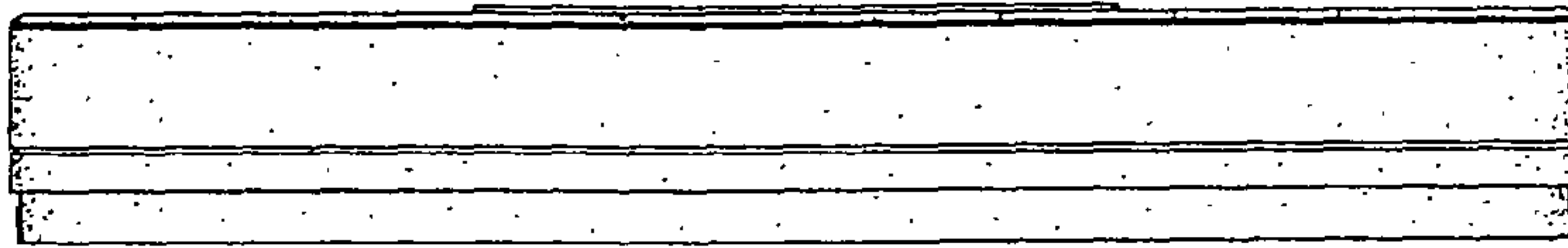


Fig. 5

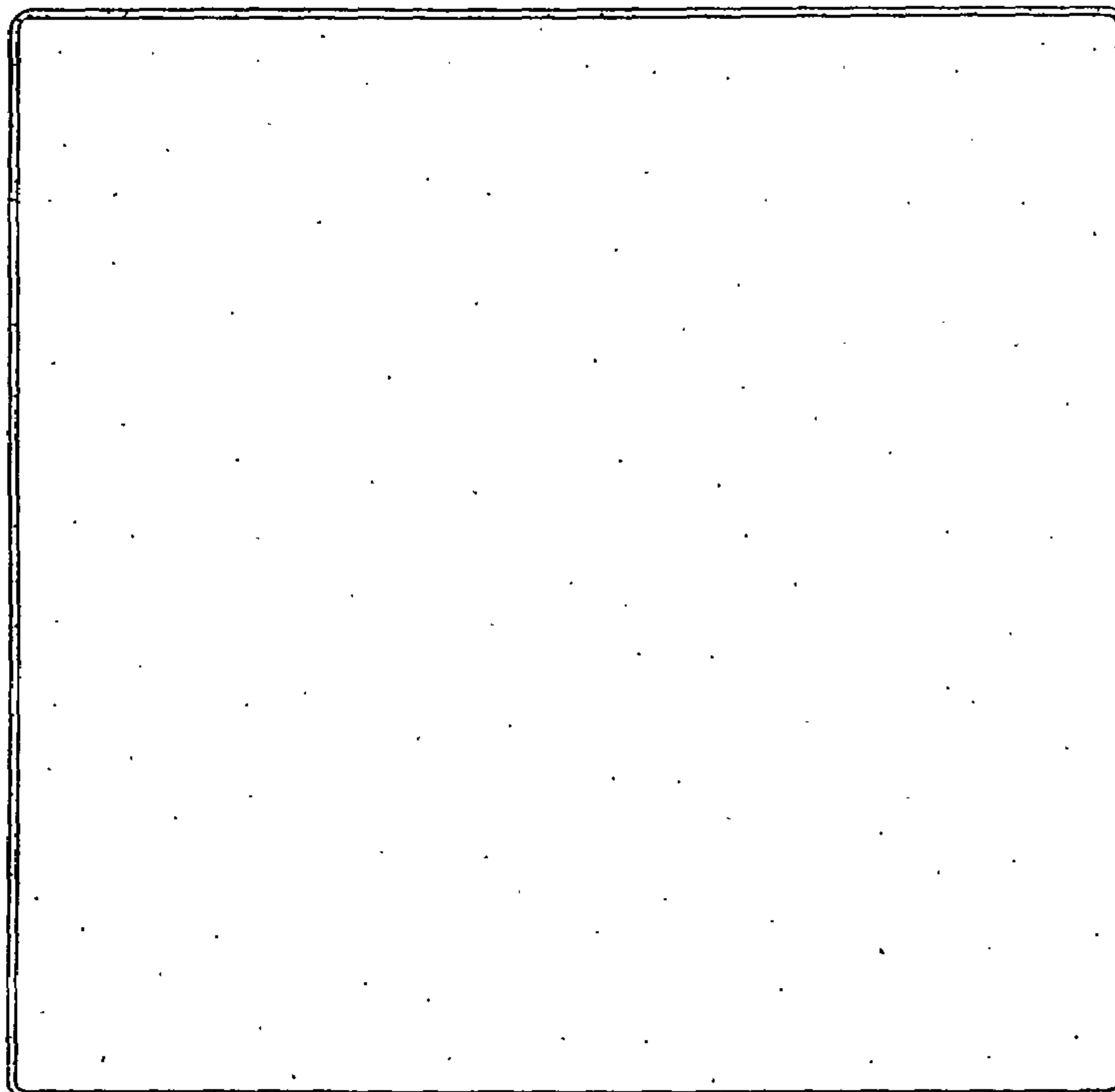


Fig. 6



Fig. 7

