



US00D554624S

(12) **United States Design Patent**  
**Okuda**

(10) **Patent No.:** **US D554,624 S**

(45) **Date of Patent:** **\*\* Nov. 6, 2007**

(54) **OPTICAL PICKUP**

(75) Inventor: **Hiroyuki Okuda**, Yamagata (JP)

(73) Assignee: **Mitsumi Electric Co., Ltd.**, Tokyo (JP)

(\*\*) Term: **14 Years**

(21) Appl. No.: **29/265,260**

(22) Filed: **Aug. 29, 2006**

(30) **Foreign Application Priority Data**

Mar. 9, 2006 (JP) ..... 2006-005850

(51) **LOC (8) Cl.** ..... **14-99**

(52) **U.S. Cl.** ..... **D14/217; D14/260.1**

(58) **Field of Classification Search** ..... D14/156,  
D14/217, 239, 260, 260.1, 299, 363, 365-368,  
D14/370, 434, 483; 361/385-386; 720/606,  
720/659, 661, 671, 681, 684, 691, 694, 695,  
720/697, 700-703

See application file for complete search history.

(56) **References Cited**

**U.S. PATENT DOCUMENTS**

6,111,827 A \* 8/2000 Miike ..... 369/44.14  
D435,039 S \* 12/2000 Miike ..... D14/239  
D436,947 S \* 1/2001 Yamada et al. .... D14/239

D444,458 S \* 7/2001 Yamamoto ..... D14/217  
D476,314 S \* 6/2003 Imi et al. .... D14/217  
D476,315 S \* 6/2003 Honma et al. .... D14/217  
D500,026 S \* 12/2004 Sato et al. .... D14/217  
6,906,984 B2 \* 6/2005 Imaizumi ..... 369/44.15

\* cited by examiner

*Primary Examiner*—Stella Reid

*Assistant Examiner*—Keli L. Acker

(74) *Attorney, Agent, or Firm*—Sughrue Mion Pllc.

(57) **CLAIM**

The ornamental design for an optical pickup, as shown.

**DESCRIPTION**

FIG. 1 is a perspective view the top, front and right side of an optical pickup showing my new design;

FIG. 2 is a perspective view of the bottom, front and left side thereof;

FIG. 3 is a front elevational view thereof;

FIG. 4 is a rear elevational view thereof;

FIG. 5 is a top plan view thereof;

FIG. 6 is a bottom plan view thereof;

FIG. 7 is a left side elevational view thereof; and,

FIG. 8 is a right side elevational view thereof.

**1 Claim, 7 Drawing Sheets**

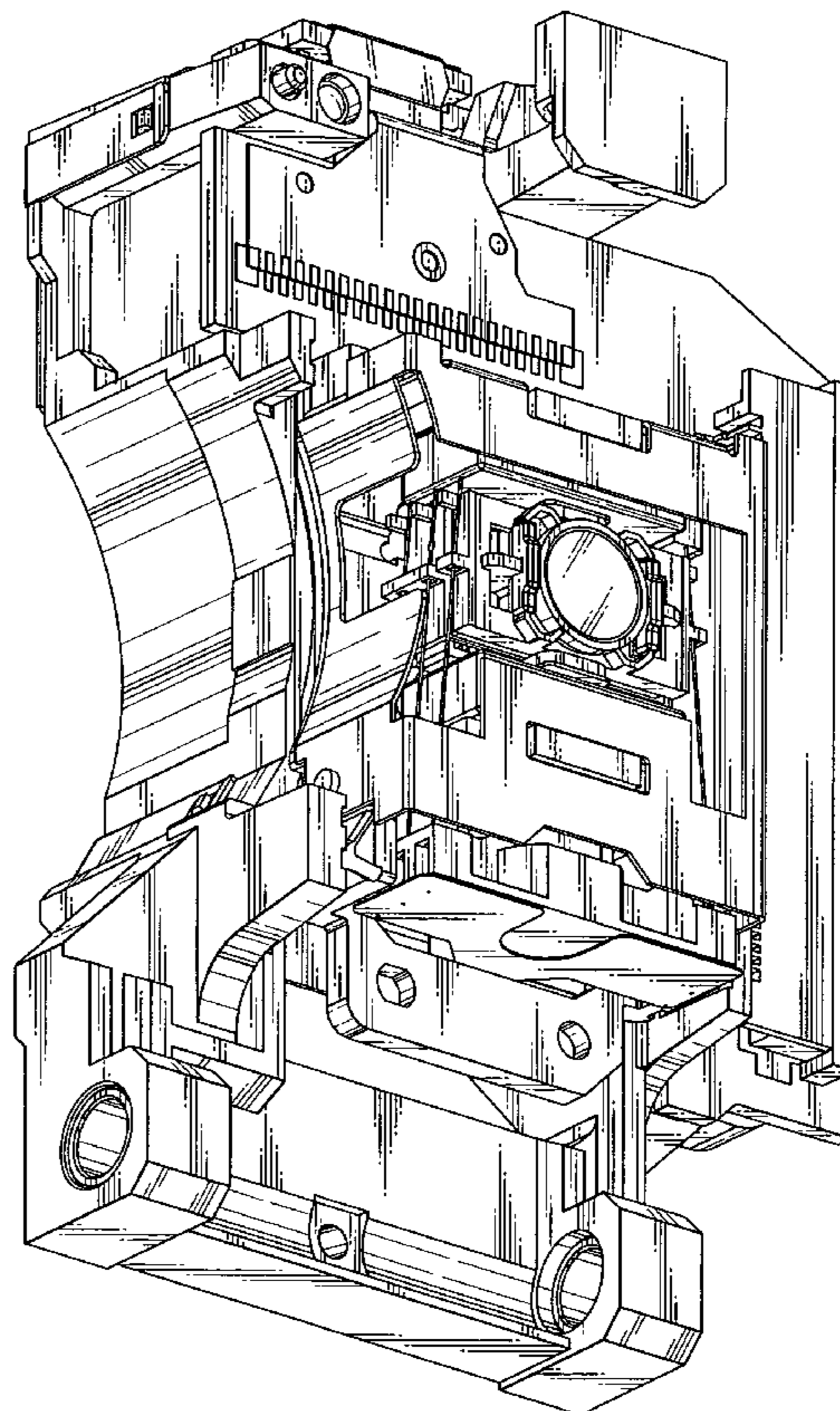
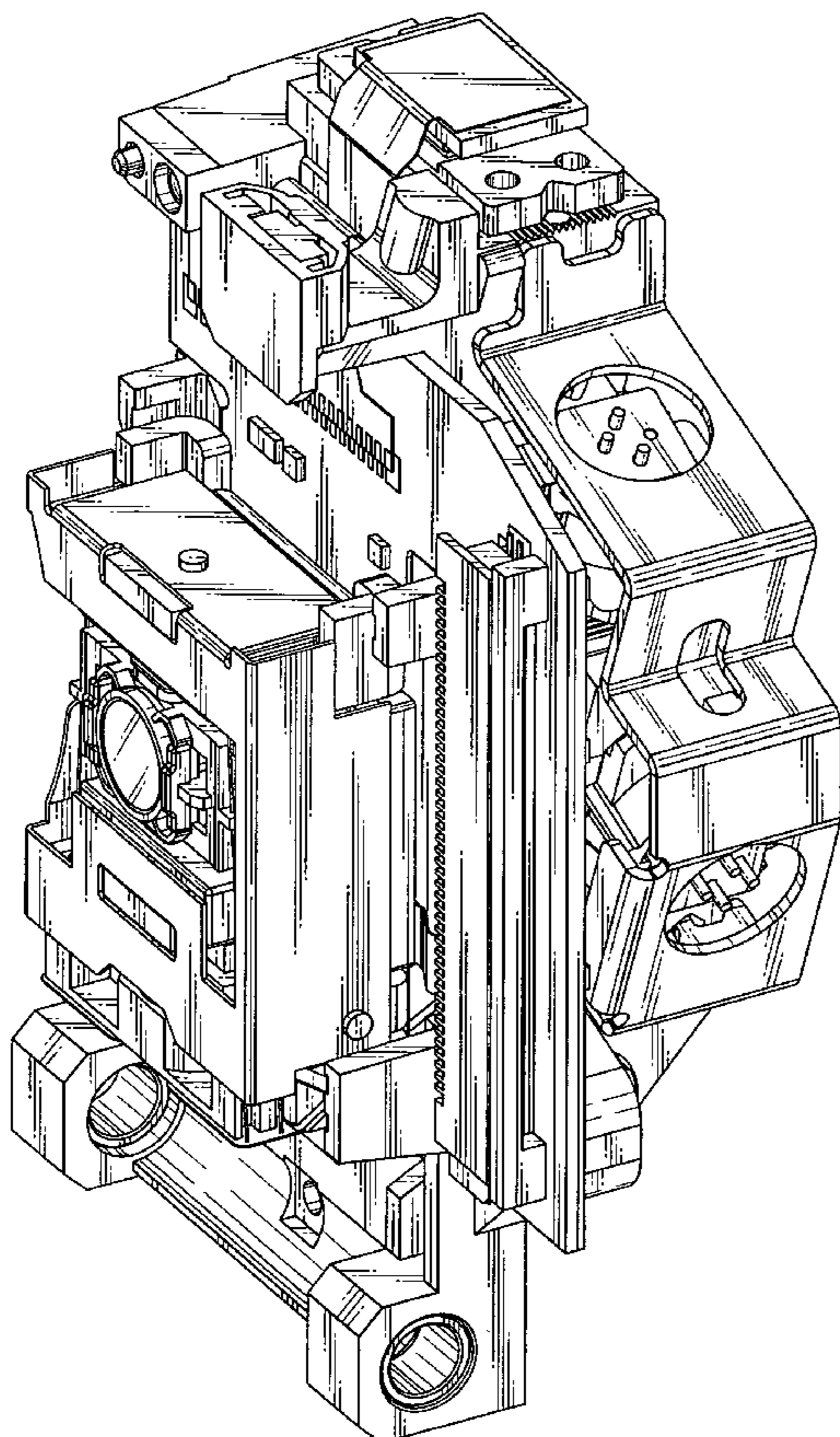


FIG. 1

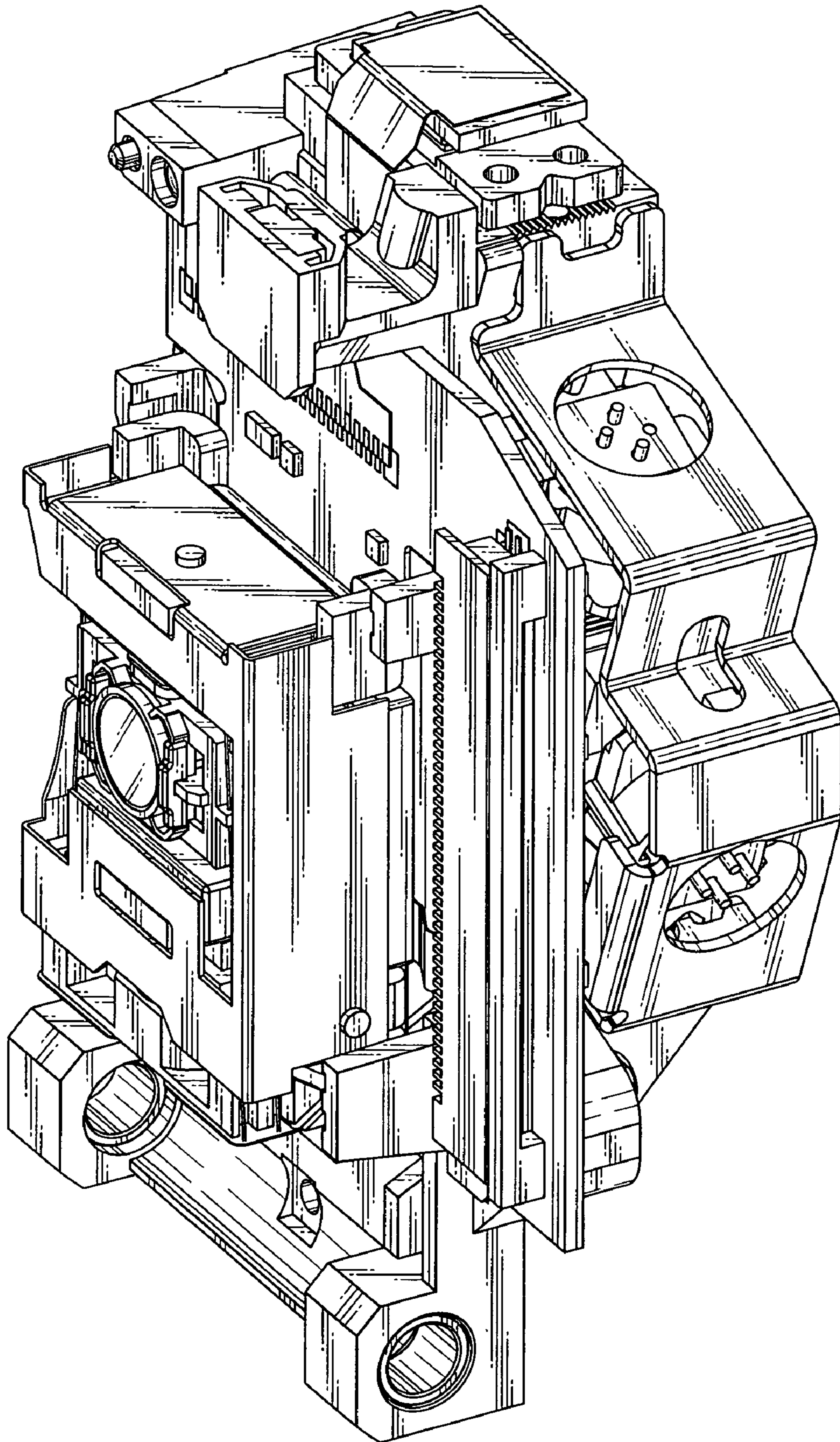




FIG.2

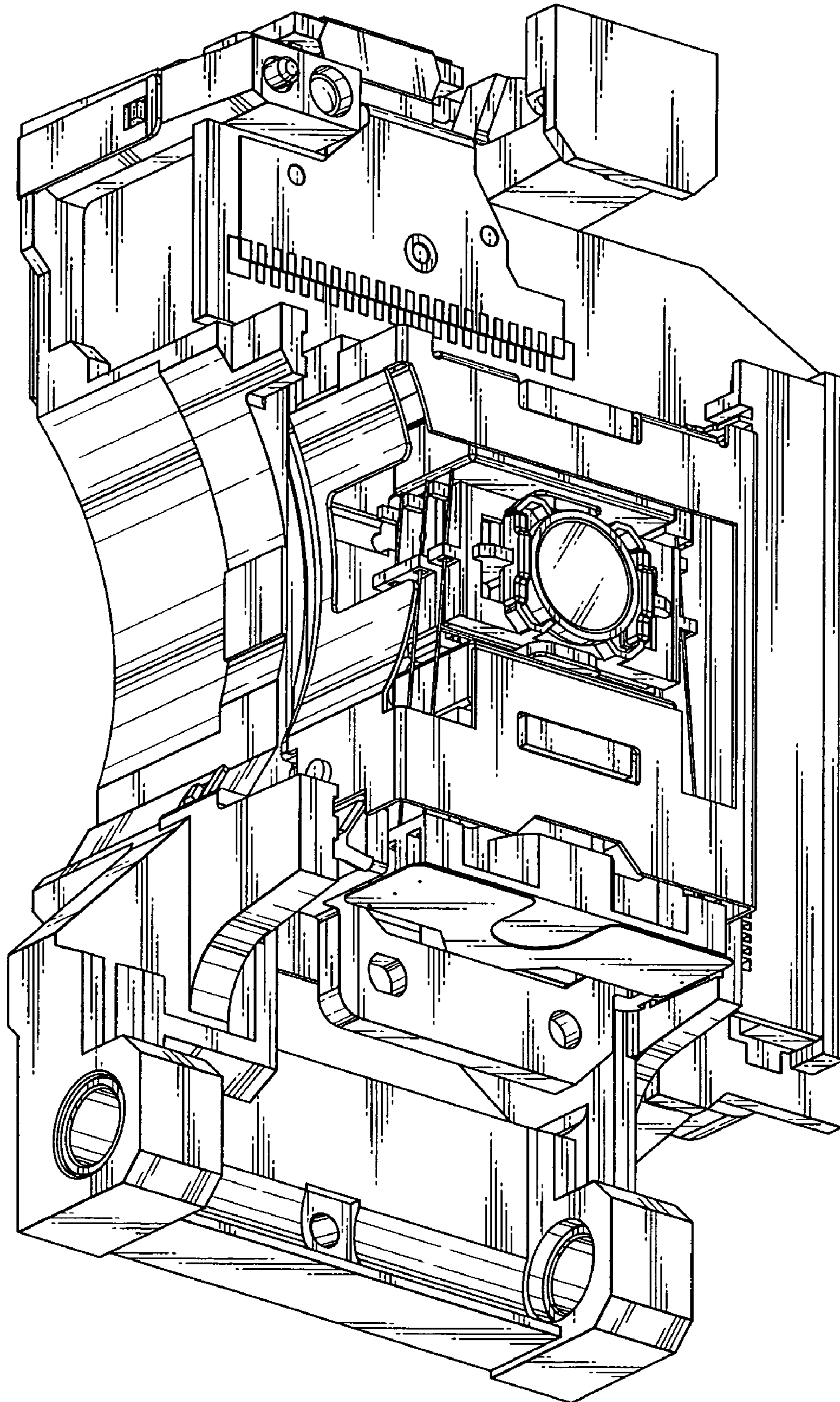


FIG.3

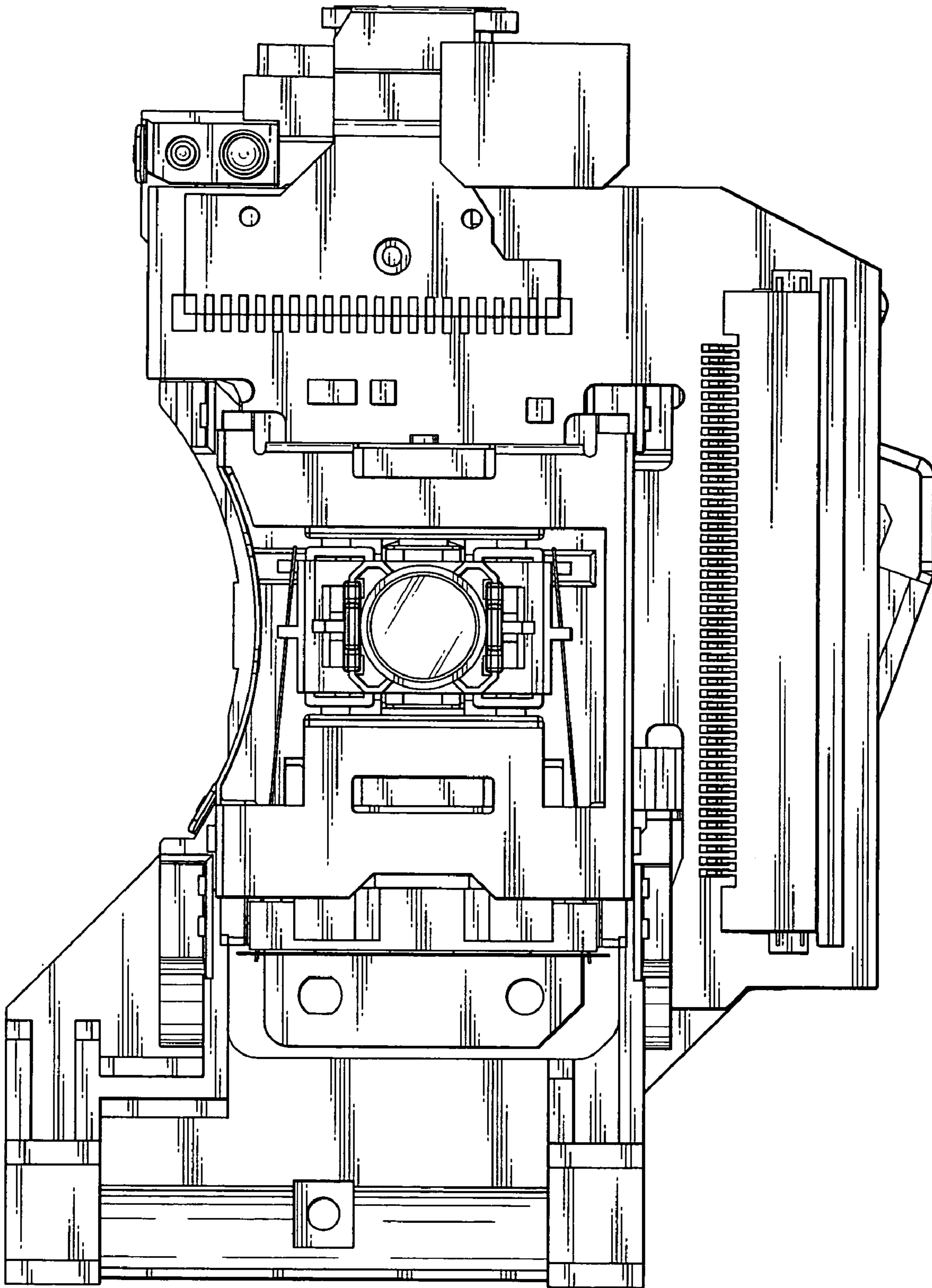


FIG.4

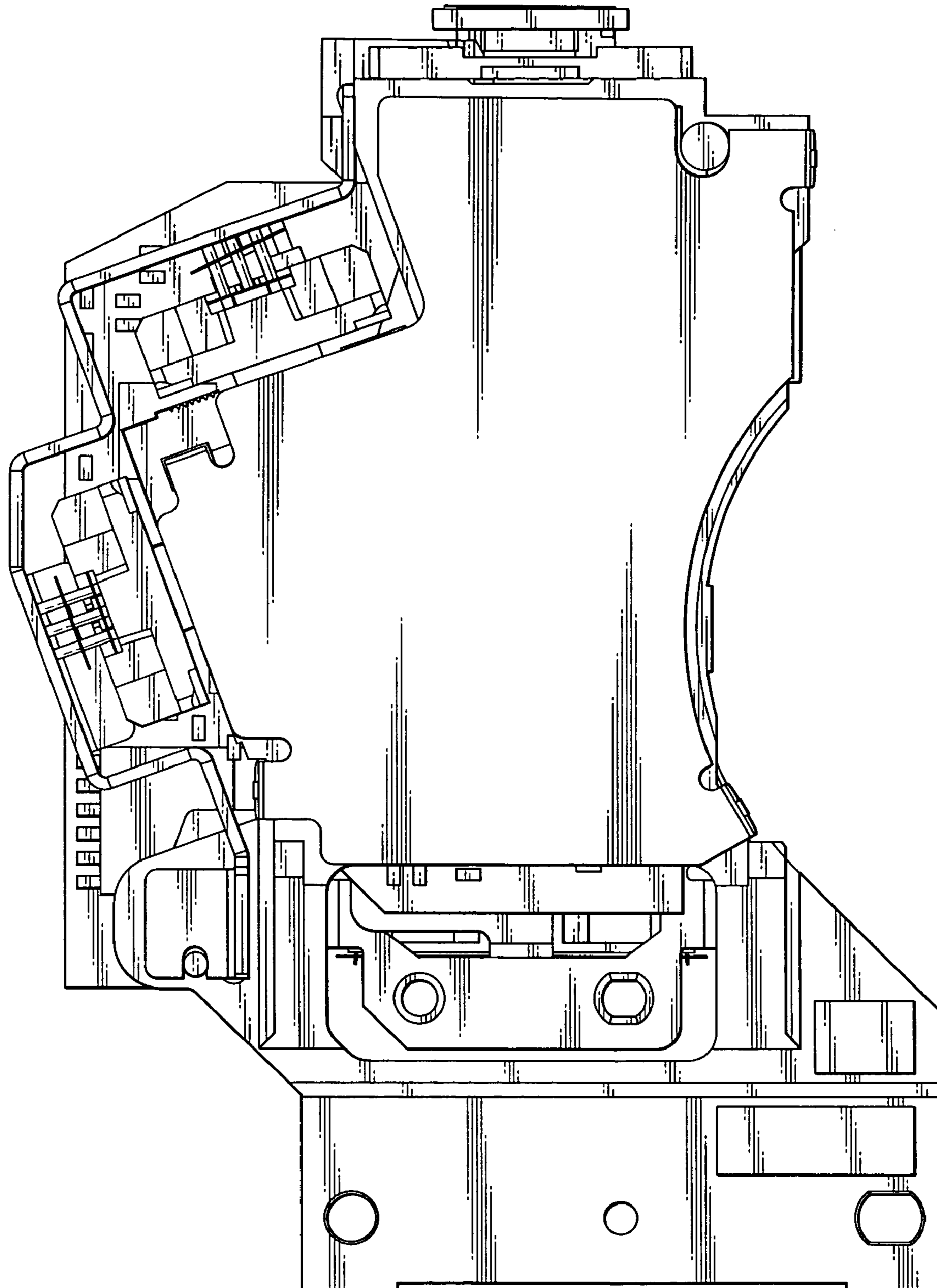


FIG.5

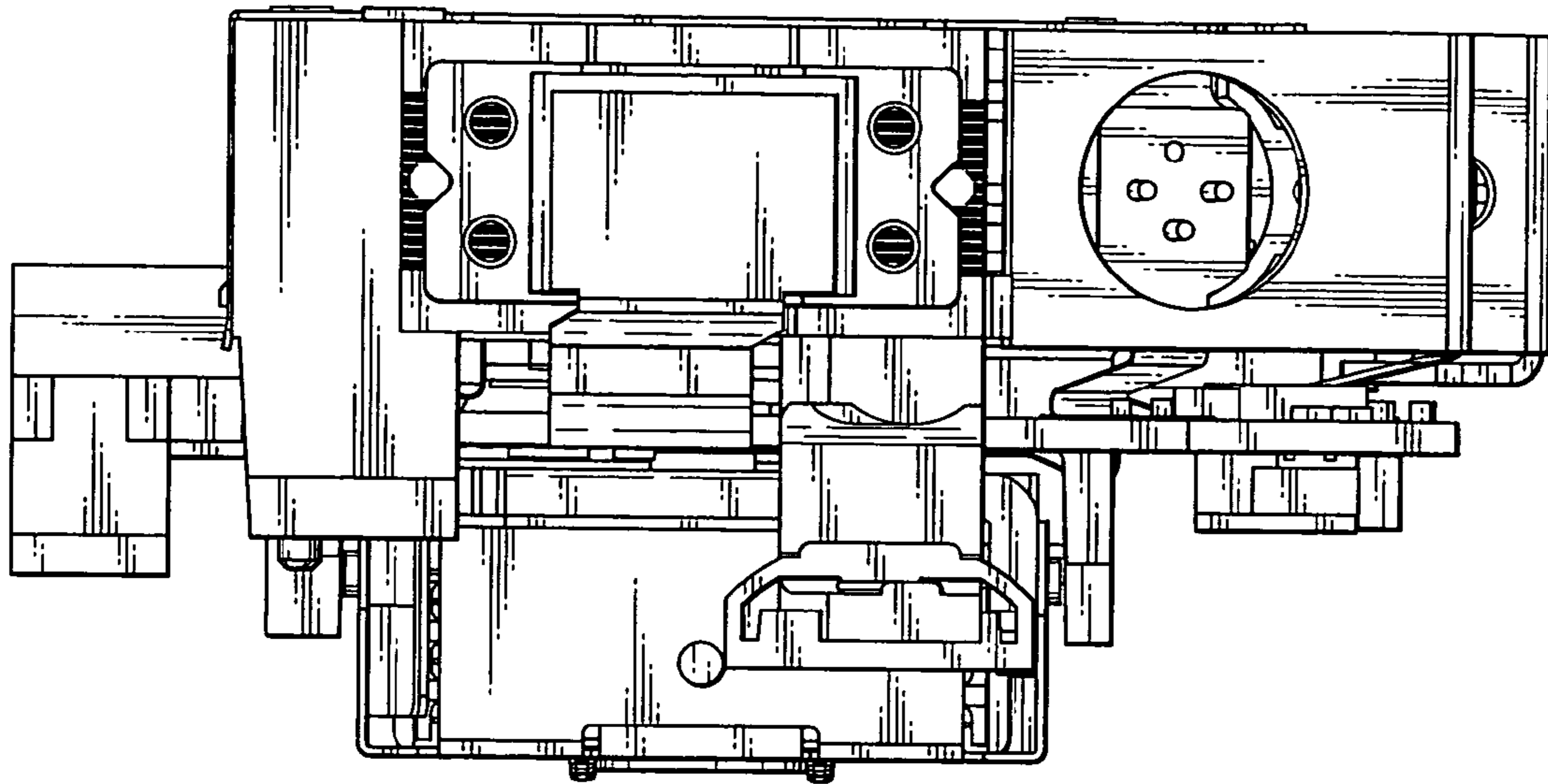


FIG.6

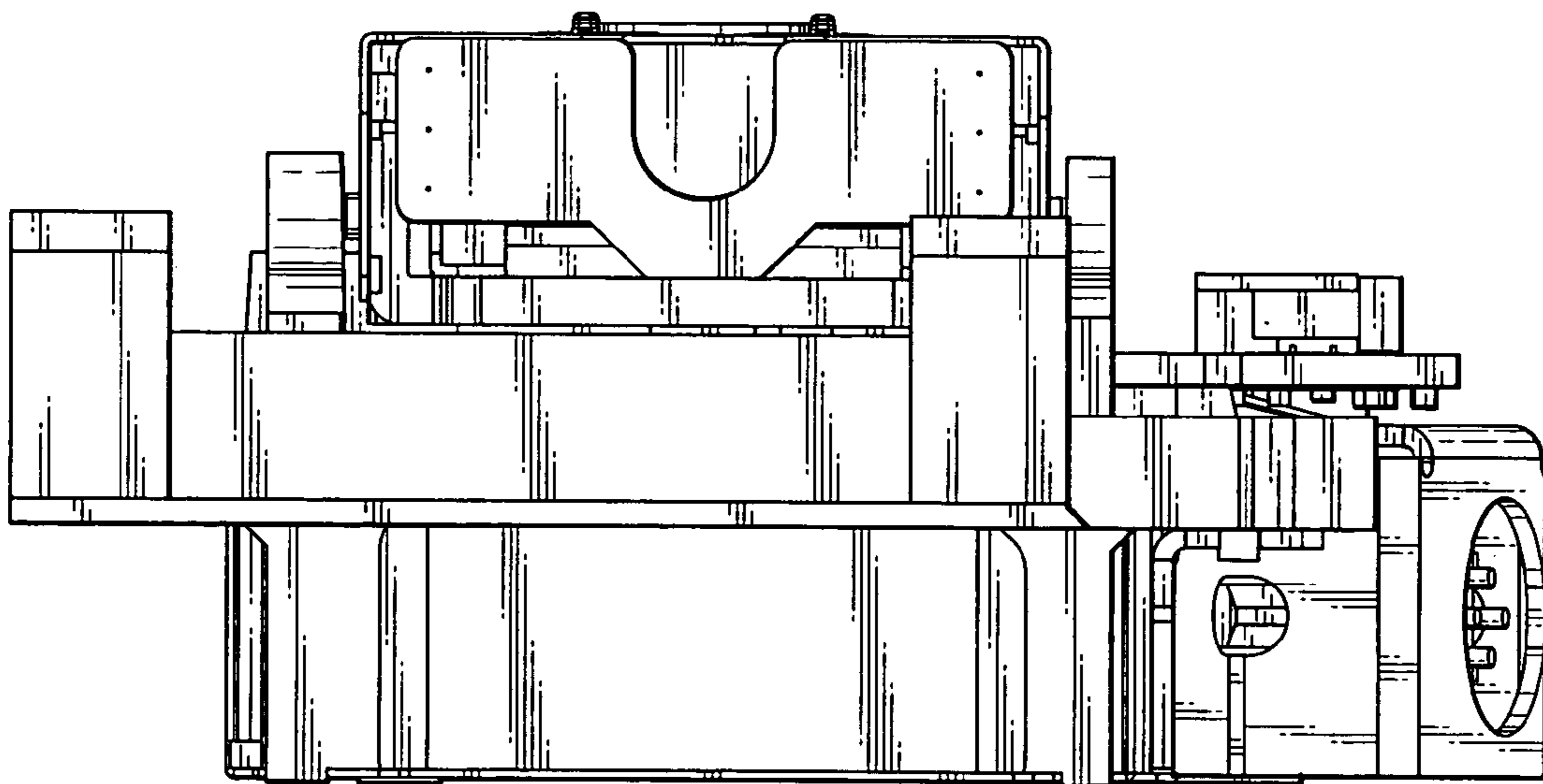




FIG. 7

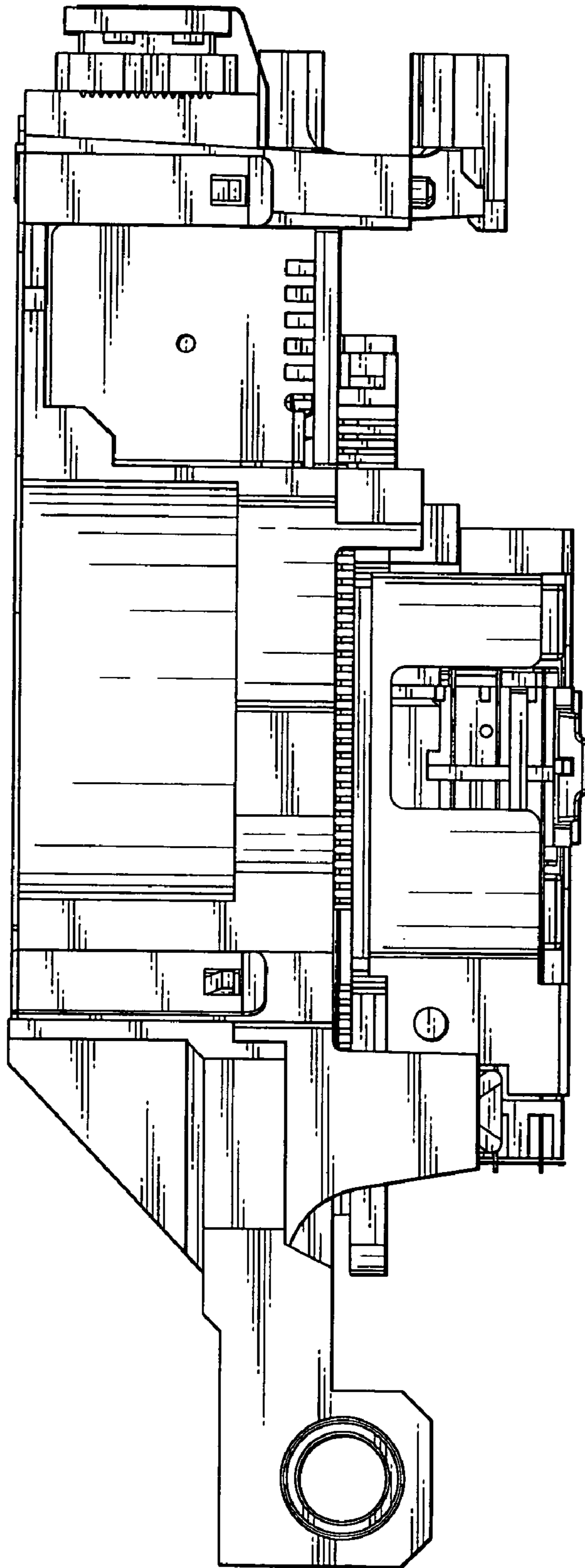


FIG.8

