



US00D554622S

(12) **United States Design Patent** (10) **Patent No.:** **US D554,622 S**
Joseph (45) **Date of Patent:** **** Nov. 6, 2007**

(54) **HOLDER FOR AN MP3 PLAYER**

D514,543 S * 2/2006 Himmel D14/149
D523,419 S * 6/2006 Joseph D14/214

(75) Inventor: **Brian Joseph**, Brooklyn, NY (US)

OTHER PUBLICATIONS

(73) Assignee: **SDI Technologies, Inc.**, Rahway, NJ (US)

iLounge.com, "iHome reveals iH52, iH7 iPod Speaker Systems", <http://www.ilounge.com/index.php/news/comments/ihome-reveals-ih52-ih7-ipod-speaker-systems/>, Mar. 28, 2006, 2 pgs.*

(**) Term: **14 Years**

* cited by examiner

(21) Appl. No.: **29/251,096**

Primary Examiner—Stella Reid

Assistant Examiner—Keli L. Acker

(22) Filed: **Jan. 4, 2006**

(74) *Attorney, Agent, or Firm*—Ostrolenk, Faber, Gerb & Soffen, LLP

(51) **LOC (8) Cl.** **14-02**

(52) **U.S. Cl.** **D14/217**

(58) **Field of Classification Search** D14/142, D14/149, 217, 251, 253, 432, 434, 435, 447, D14/496; D13/107, 108, 118; 248/221.11, 248/309.1; 320/107, 110, 113–115; 361/600, 361/679, 683, 686; 439/529, 534; 455/556.1, 455/556.2, 557

See application file for complete search history.

(57) **CLAIM**

The ornamental design for a holder for an MP3 player, as shown and described.

DESCRIPTION

FIG. 1 is a front, top, right side perspective view of a holder for an MP3 player showing my new design;

FIG. 2 is a top side view thereof;

FIG. 3 is a bottom view thereof;

FIG. 4 is a side view thereof, the opposite side view being a mirror image;

FIG. 5 is a rear view thereof; and,

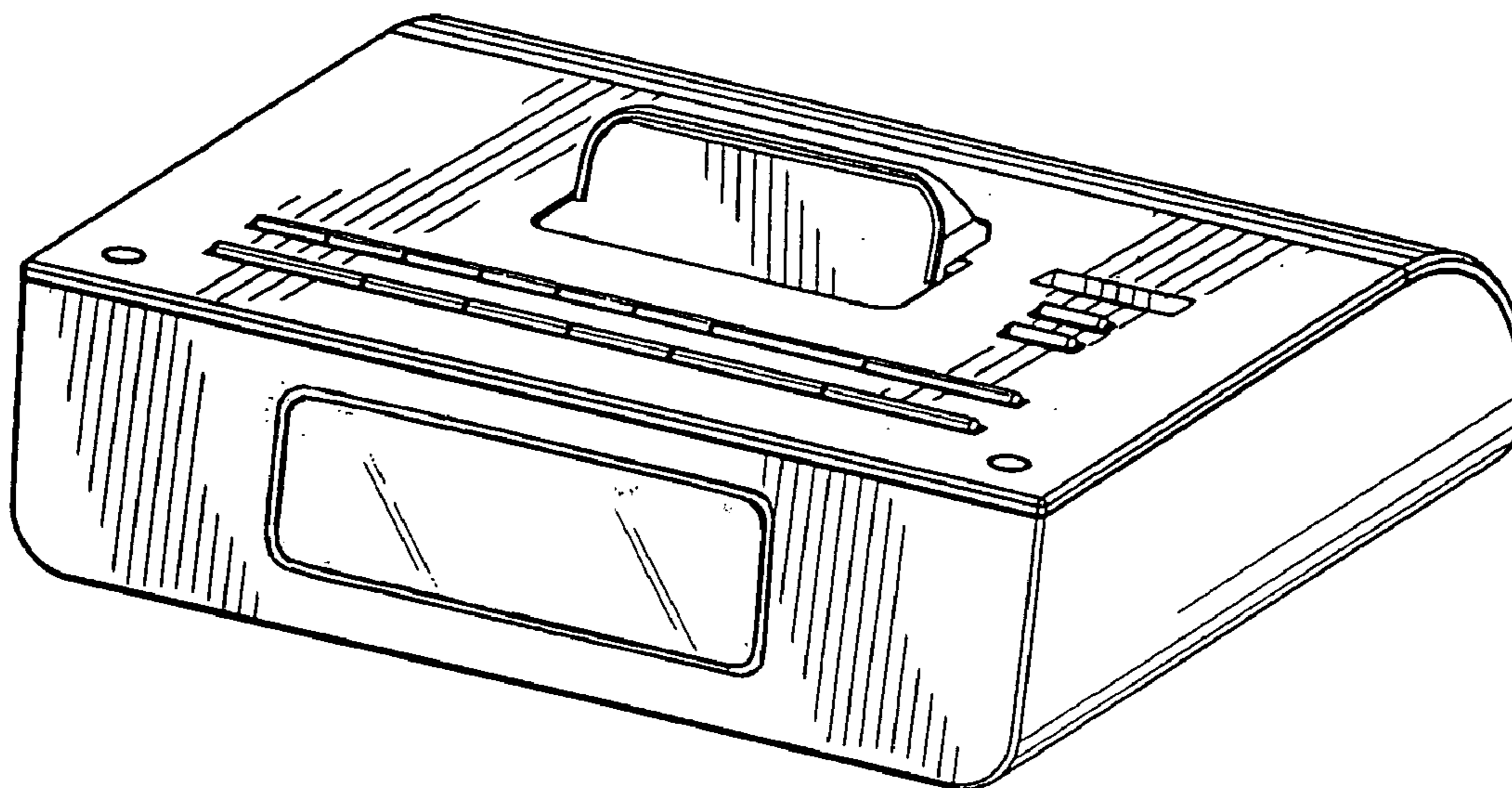
FIG. 6 is a front view thereof.

(56) **References Cited**

U.S. PATENT DOCUMENTS

D320,788 S * 10/1991 Grinyer D14/151
D339,346 S * 9/1993 Pepall D14/171
D414,491 S * 9/1999 Kokkinis D14/171
6,014,011 A * 1/2000 DeFelice et al. 320/114
D427,145 S * 6/2000 Singh et al. D13/107
D465,223 S * 11/2002 Milan D14/434
D496,649 S * 9/2004 Murakami D14/171

1 Claim, 3 Drawing Sheets



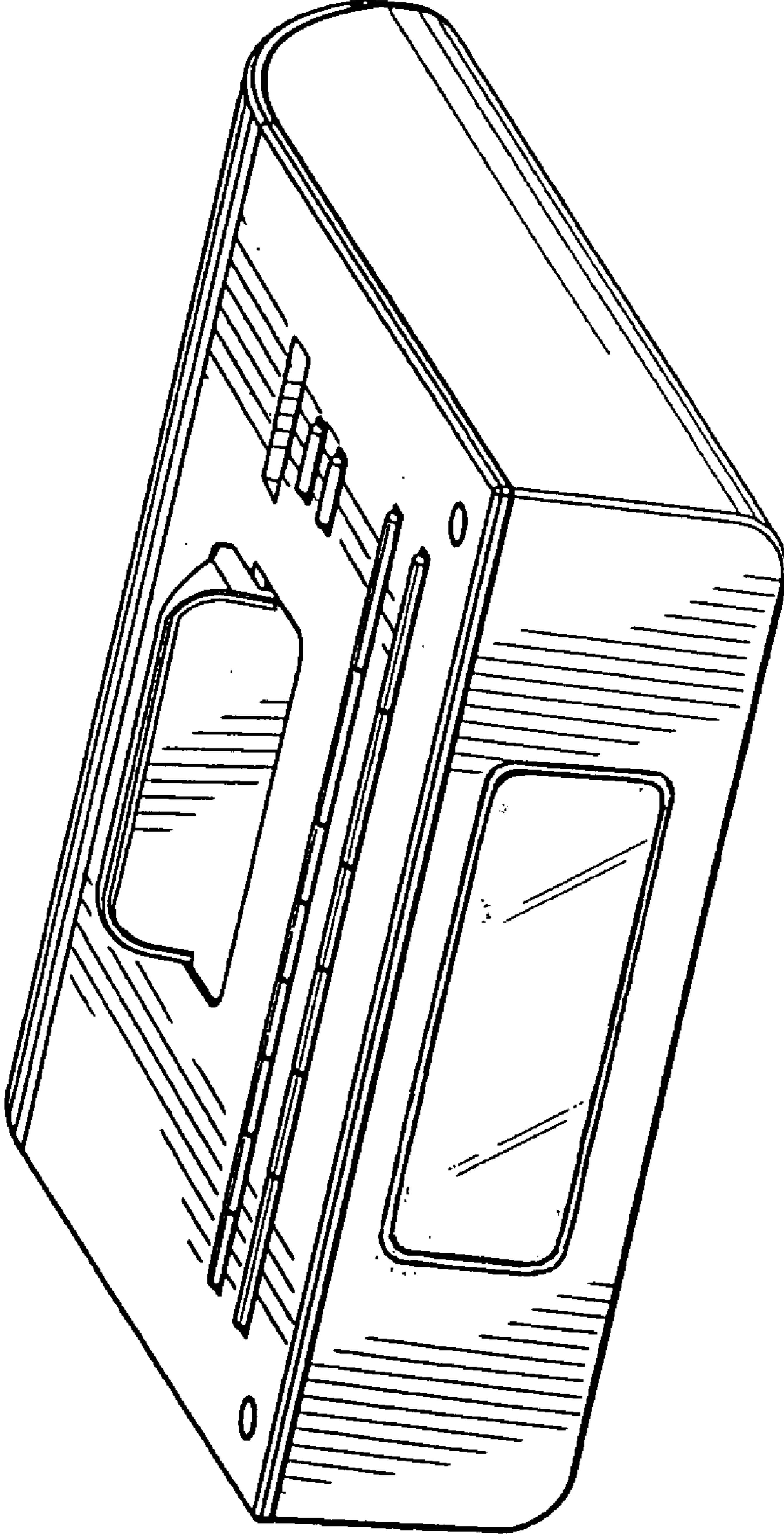


FIG. 1

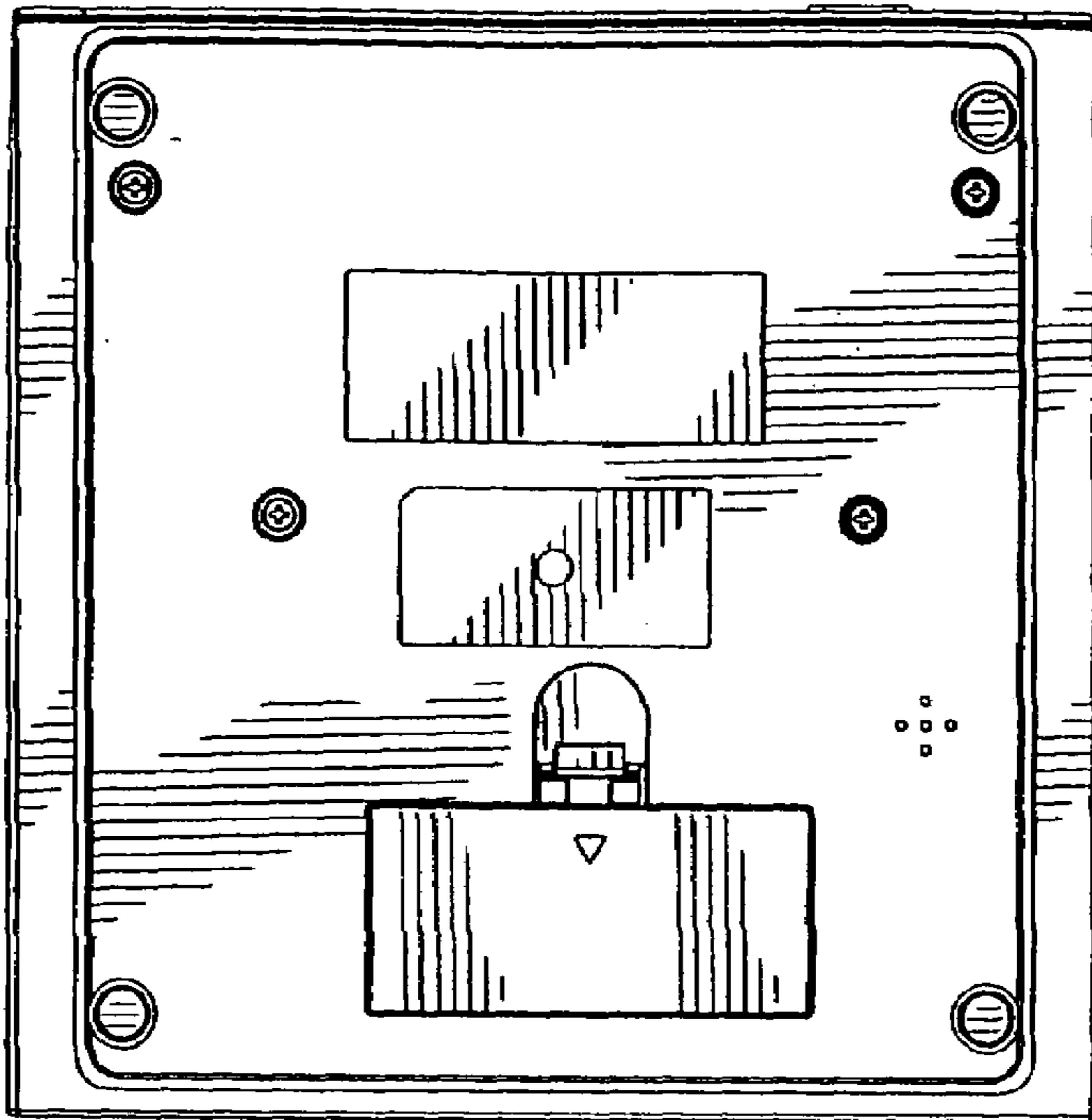


FIG. 3

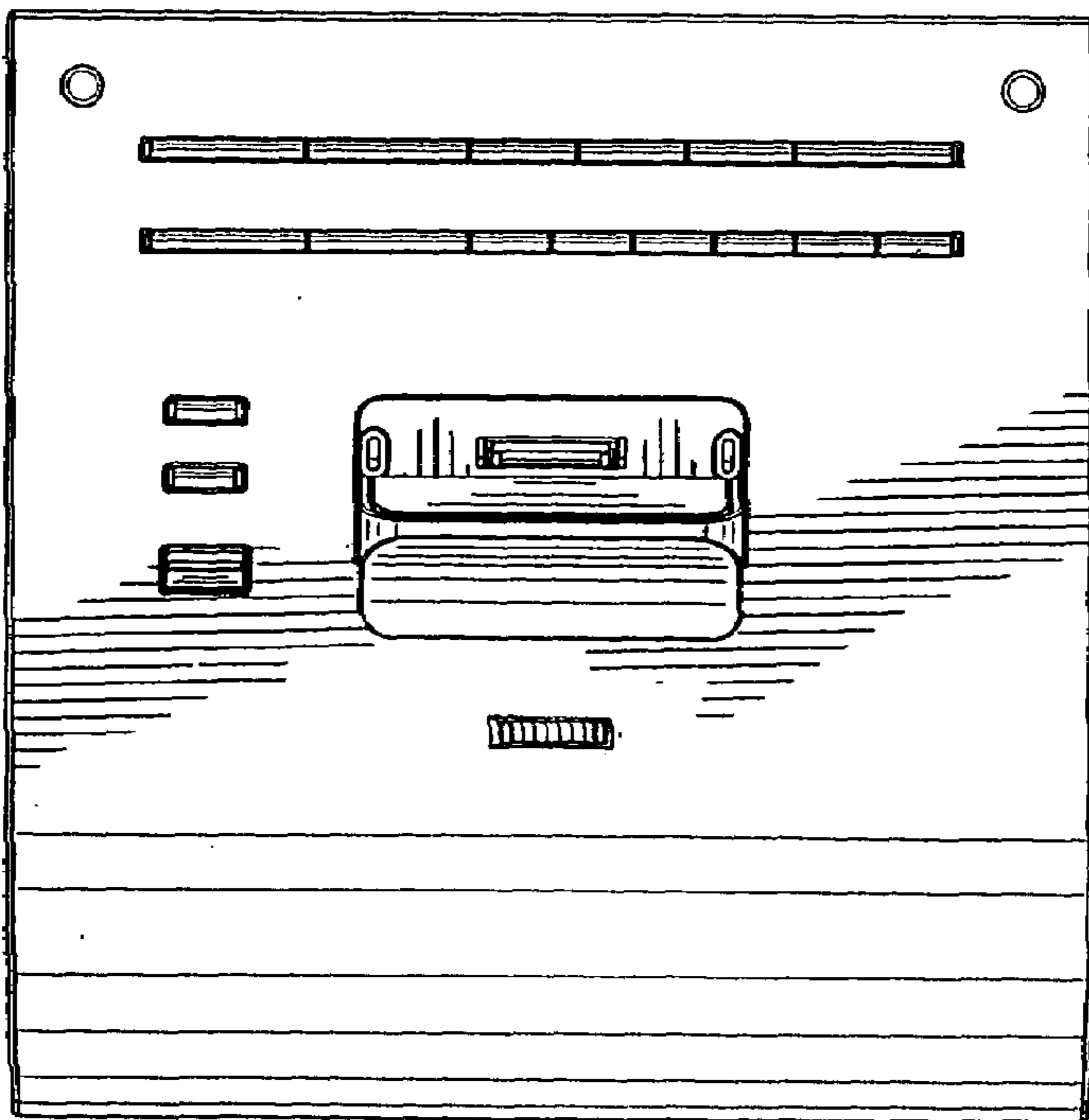


FIG. 2

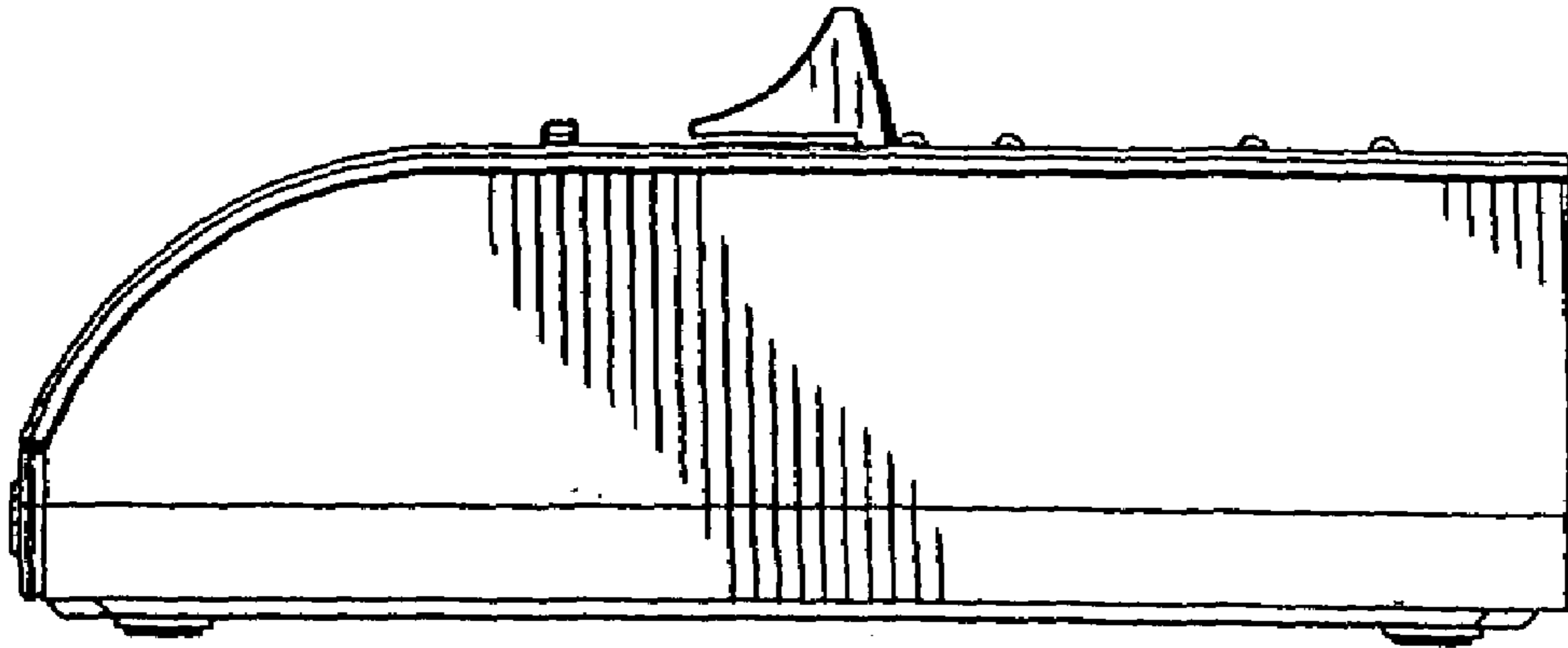


FIG. 4

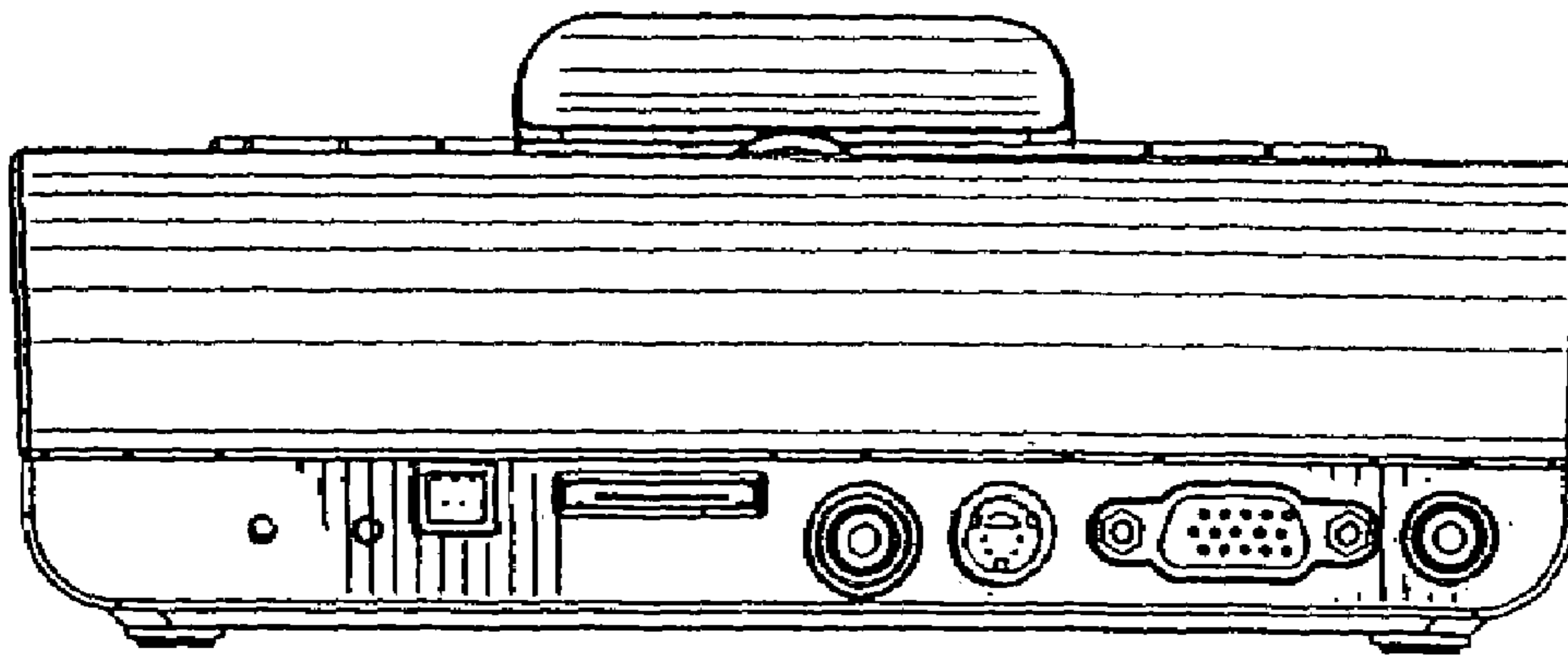


FIG. 5

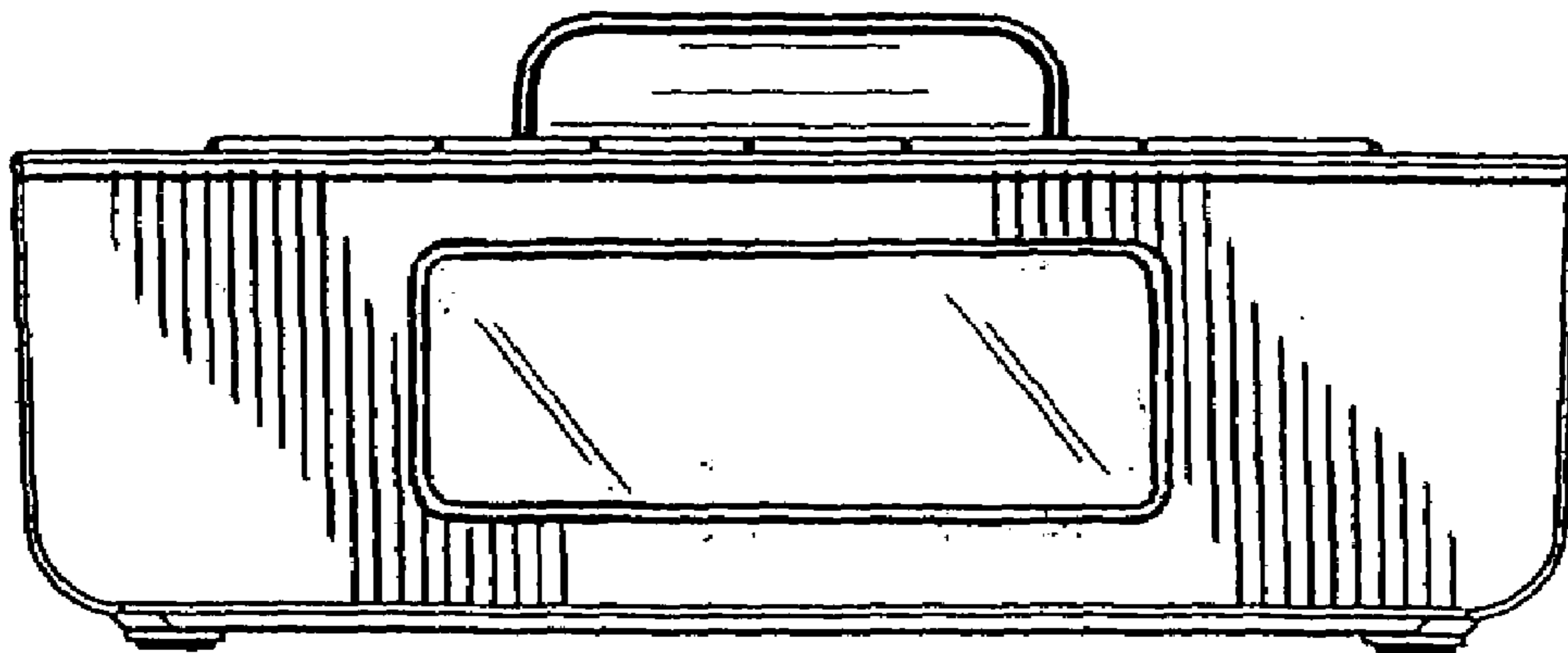


FIG. 6