



US00D554620S

(12) **United States Design Patent**
Shiono

(10) **Patent No.:** **US D554,620 S**

(45) **Date of Patent:** **** Nov. 6, 2007**

(54) **SPEAKER**

D488,802 S * 4/2004 Uehara et al. D14/216

(75) Inventor: **Daisuke Shiono**, Tokyo (JP)

(73) Assignee: **Sony Corporation**, Tokyo (JP)

(**) Term: **14 Years**

(21) Appl. No.: **29/257,024**

(22) Filed: **Mar. 29, 2006**

(30) **Foreign Application Priority Data**

Sep. 30, 2005 (CN) 200530129135.X

(51) **LOC (8) Cl.** **14-01**

(52) **U.S. Cl.** **D14/216**

(58) **Field of Classification Search** D14/204,
D14/209-216, 211; 181/143-144, 147-148,
181/150, 157, 198-199, 151, 153; 381/300-302,
381/306, 333, 345, 361-364, 386-388, 332,
381/336

See application file for complete search history.

(56) **References Cited**

U.S. PATENT DOCUMENTS

D186,670 S * 11/1959 Durbin D14/216
D197,716 S * 3/1964 Boldt et al. D14/216
D409,198 S * 5/1999 Harvey et al. D14/215

OTHER PUBLICATIONS

U.S. Appl. No. 29/257,024, filed Mar. 29, 2006, Shiono.

U.S. Appl. No. 29/257,023, filed Mar. 29, 2006, Shiono.

* cited by examiner

Primary Examiner—Nanda Bondade

(74) *Attorney, Agent, or Firm*—Oblon, Spivak, McClelland,
Maier & Neustadt, P.C.

(57) **CLAIM**

The ornamental design for a speaker, as shown and described.

DESCRIPTION

FIG. 1 is a top and right front perspective view of a speaker, showing my design;

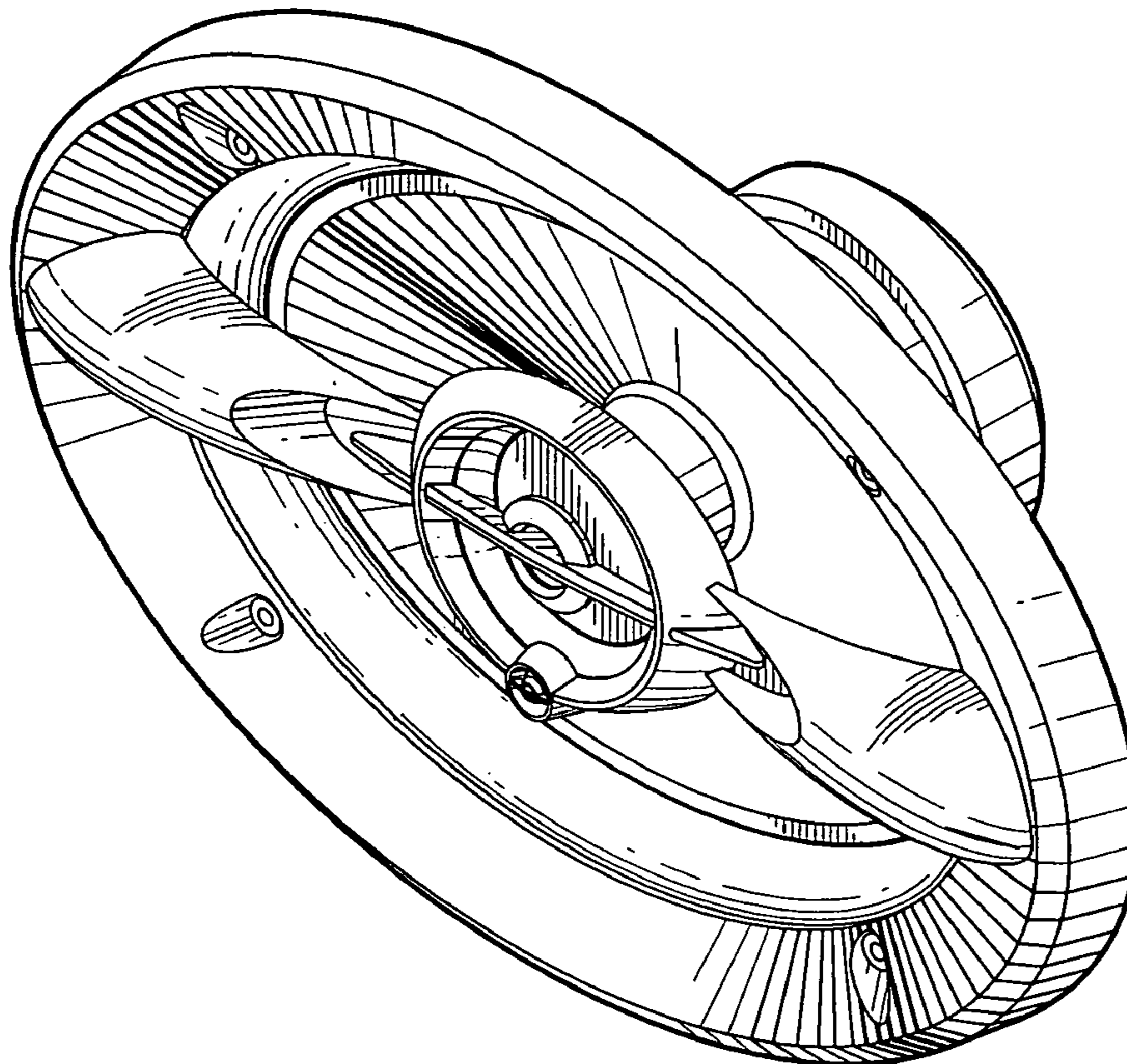
FIG. 2 is a front elevational view of my design;

FIG. 3 is a rear elevational view of my design;

FIG. 4 is a left side elevational view of my design, with the right side elevational view being a mirror image thereof; and,

FIG. 5 is a top plan view of my design, with the bottom plan view being a mirror image thereof.

1 Claim, 5 Drawing Sheets



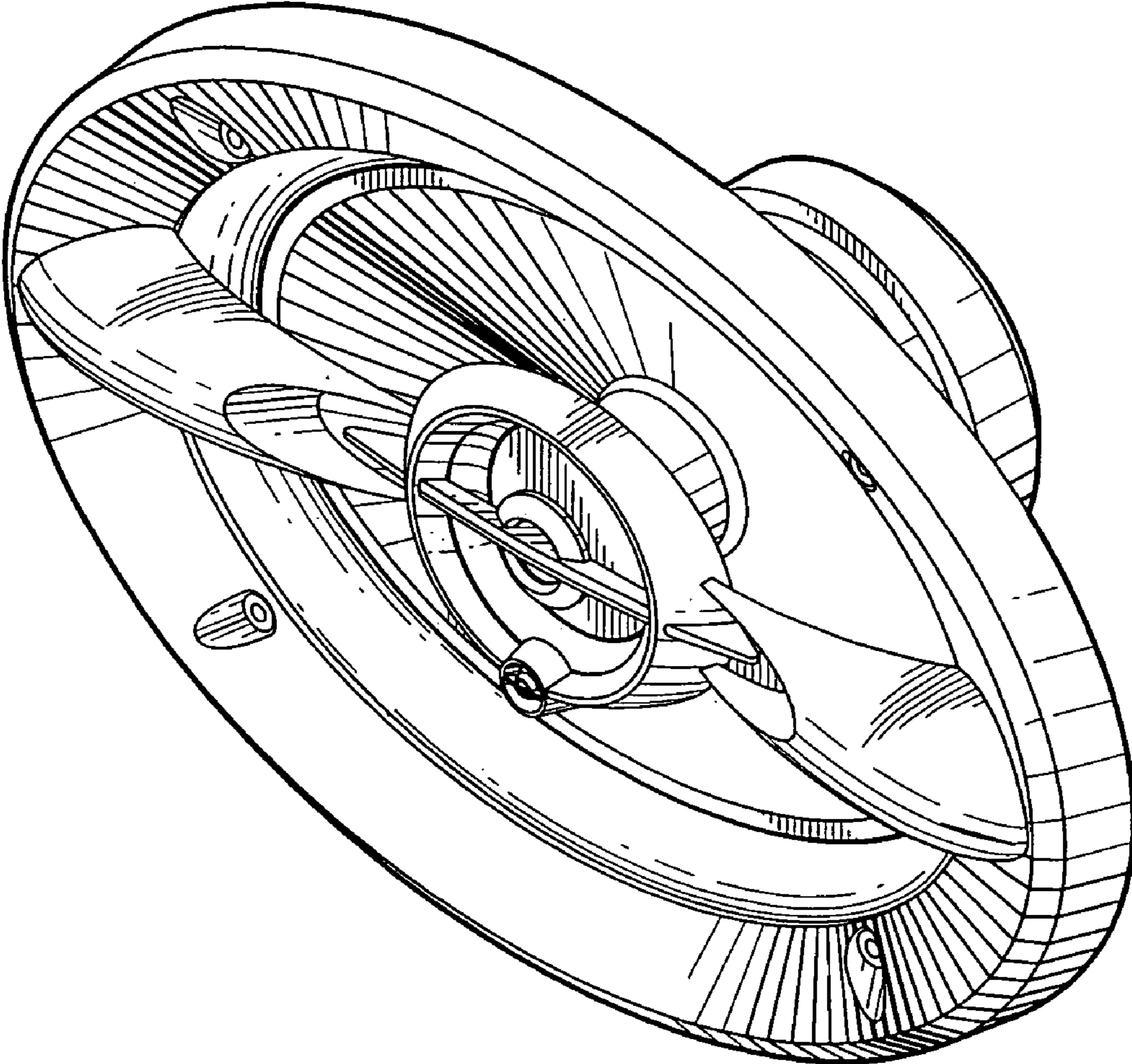


Fig. 1

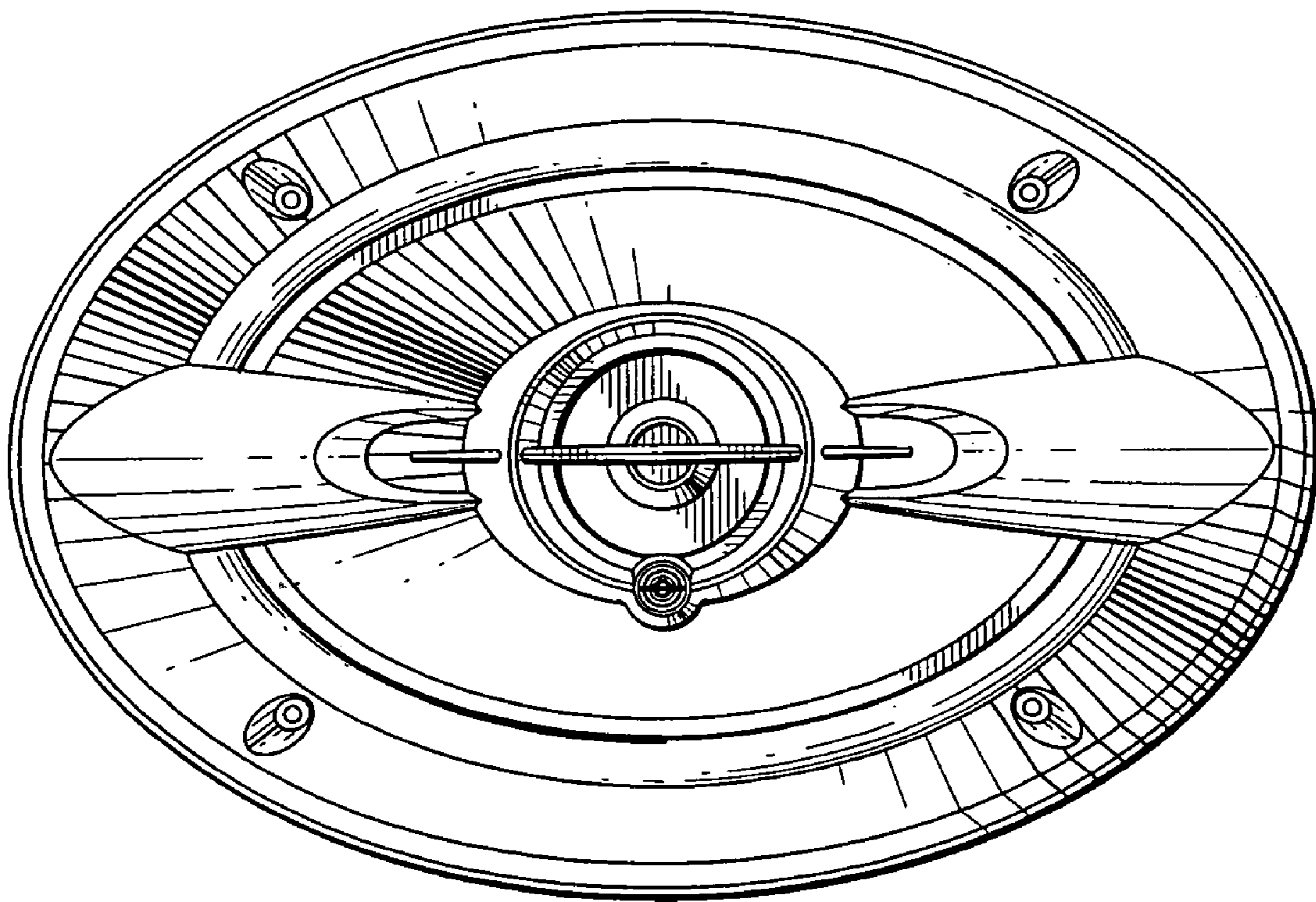


Fig. 2

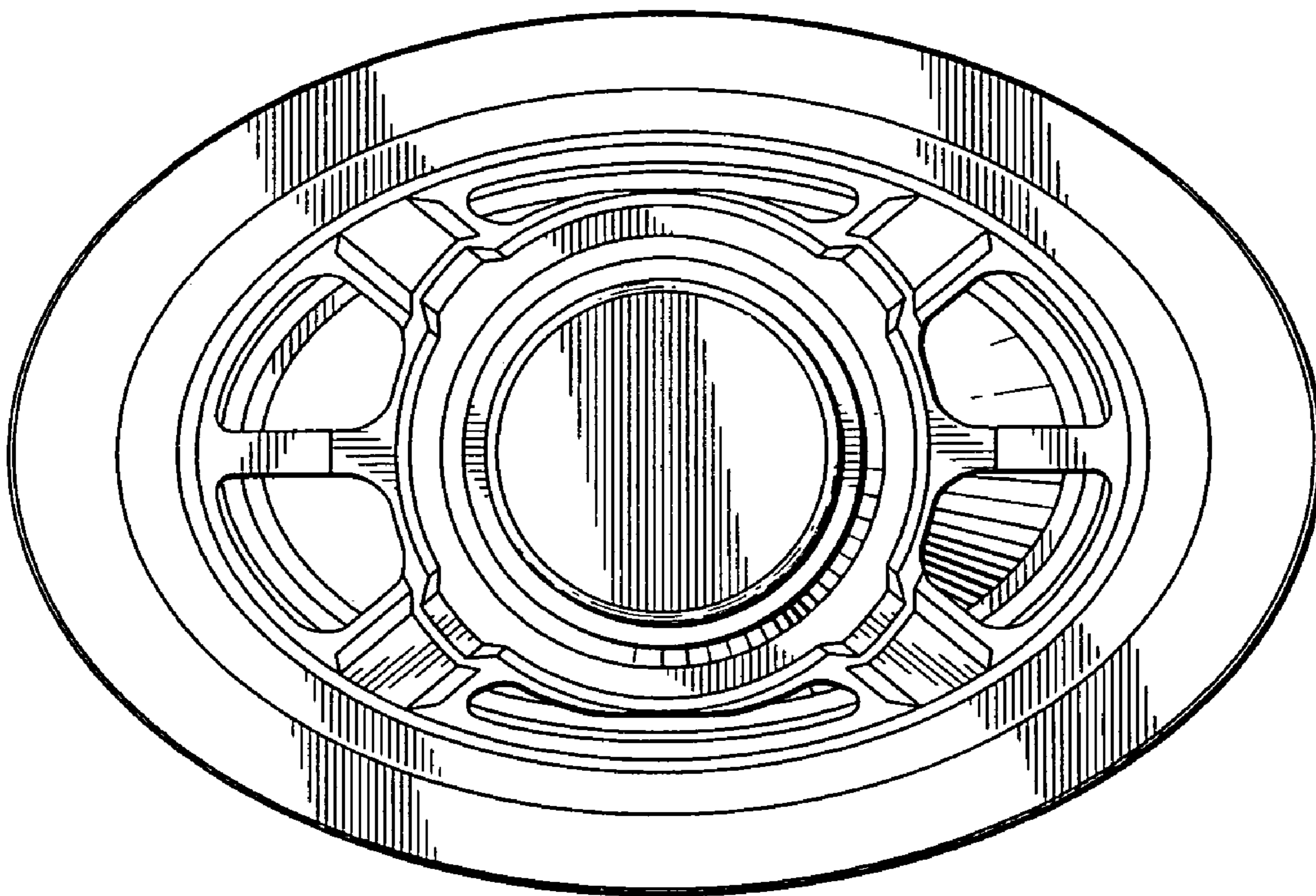


Fig. 3

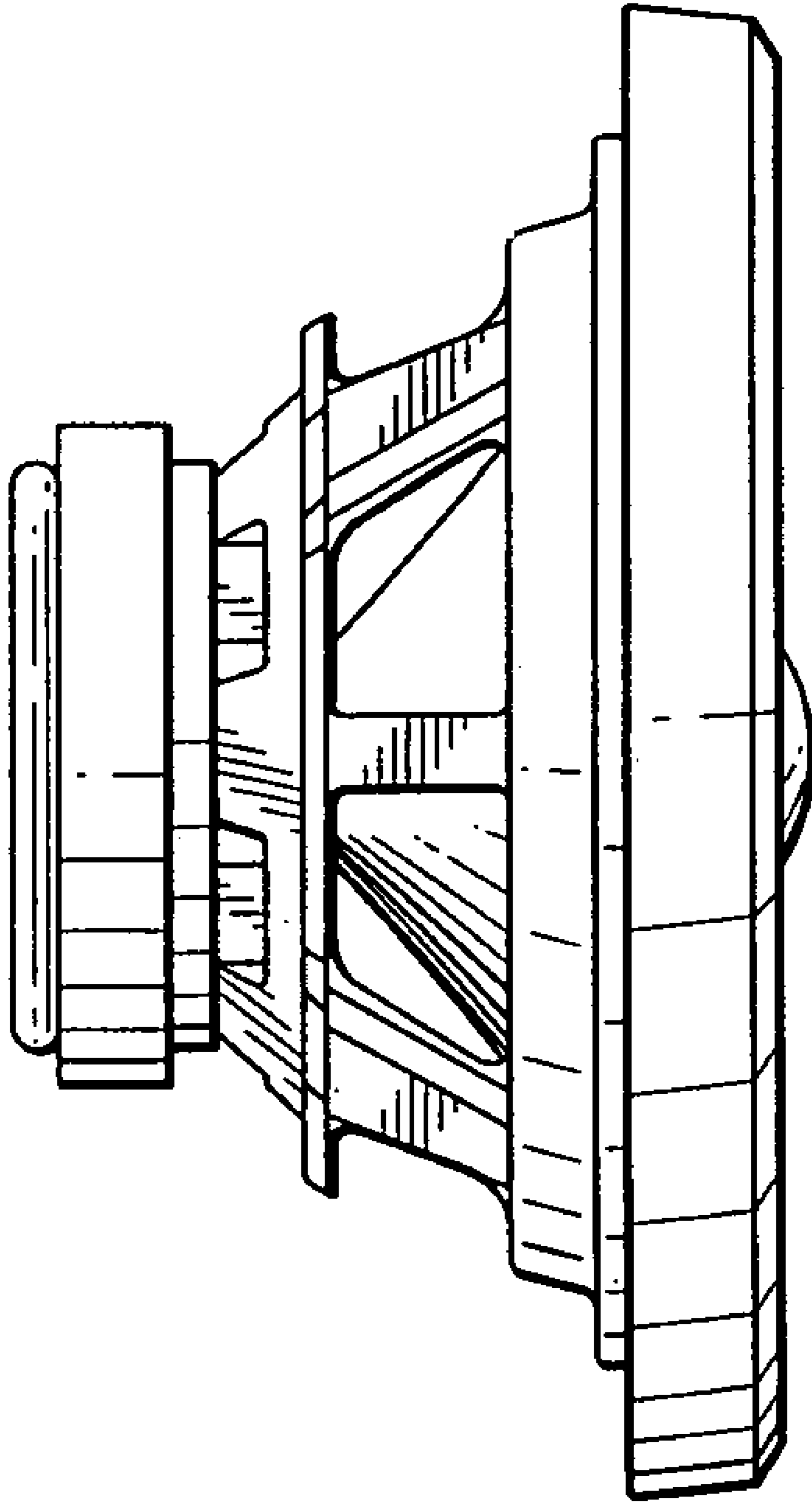


Fig. 4

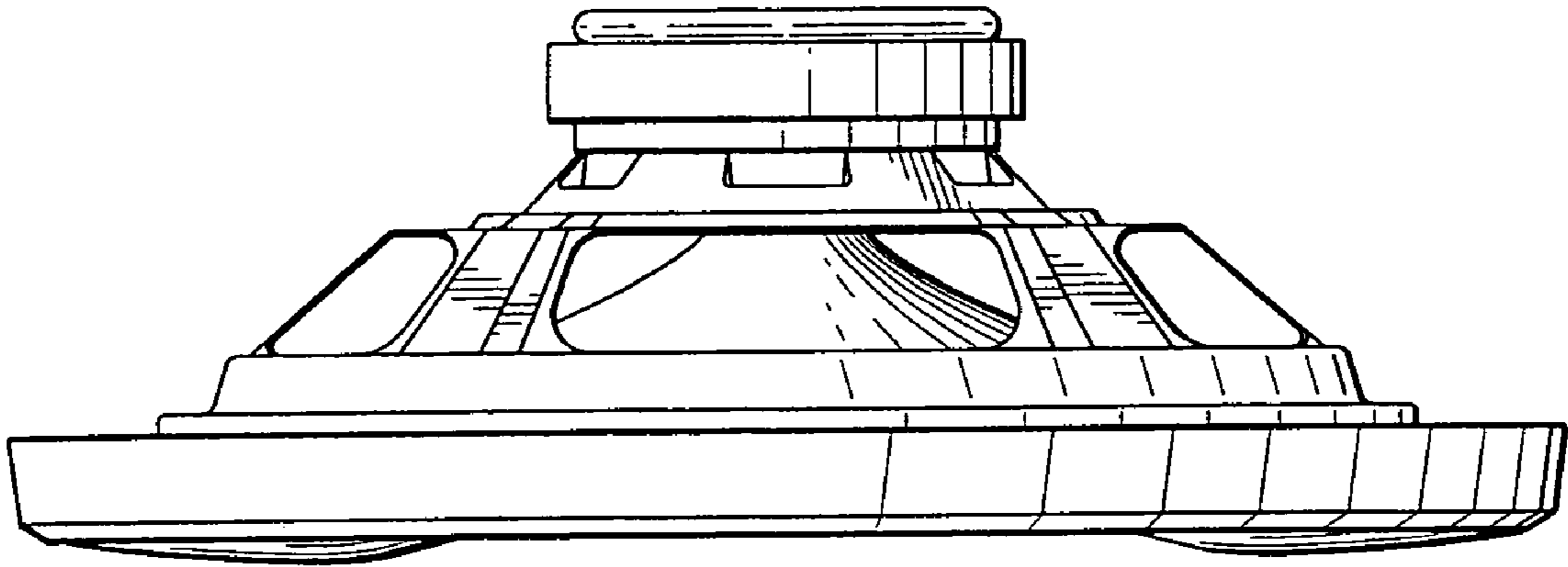


Fig. 5