



US00D554615S

(12) **United States Design Patent** (10) **Patent No.:** **US D554,615 S**  
**Ito** (45) **Date of Patent:** **\*\* Nov. 6, 2007**

(54) **DIGITAL VIDEO DISC RECORDER WITH VIDEO TAPE RECORDER**

(75) Inventor: **Masakatsu Ito**, Kadoma (JP)

(73) Assignee: **Matsushita Electric Industrial Co., Ltd.**, Osaka (JP)

(\*\*) Term: **14 Years**

(21) Appl. No.: **29/269,355**

(22) Filed: **Nov. 29, 2006**

(30) **Foreign Application Priority Data**

Jun. 19, 2006 (JP) ..... 2006-015796

(51) **LOC (8) Cl.** ..... **14-01**

(52) **U.S. Cl.** ..... **D14/167; D14/136**

(58) **Field of Classification Search** ..... D14/445,  
D14/258, 257, 224, 217, 198, 197, 196, 195,  
D14/194, 193, 192, 188, 168, 167, 156, 136,  
D14/135; 720/621, 619; 455/344; 274/2,  
274/21

See application file for complete search history.

(56) **References Cited**

**U.S. PATENT DOCUMENTS**

D421,260 S \* 2/2000 Hyogo ..... D14/167  
D431,546 S \* 10/2000 Ito et al. .... D14/167  
D443,867 S \* 6/2001 Tsuyuguchi et al. .... D14/156  
D444,137 S \* 6/2001 Miyazaki ..... D14/167  
D469,428 S \* 1/2003 Senda et al. .... D14/257  
D470,119 S \* 2/2003 Ota ..... D14/167  
D494,172 S \* 8/2004 Asai ..... D14/368  
D500,300 S \* 12/2004 Sakuma ..... D14/167

D511,757 S \* 11/2005 Wu ..... D14/136  
D511,763 S \* 11/2005 Deguchi ..... D14/167  
D512,037 S \* 11/2005 Huang ..... D14/136  
D518,471 S \* 4/2006 Deguchi ..... D14/167  
D528,089 S \* 9/2006 Yoshikawa et al. .... D14/136

**FOREIGN PATENT DOCUMENTS**

JP D 1148204 7/2002

**OTHER PUBLICATIONS**

Panasonic, "05 Home Theater—DMR-ES30V", Panasonic Consumer Electronics Company, 4 pages.

\* cited by examiner

*Primary Examiner*—Cathron C. Brooks

*Assistant Examiner*—Austin Murphy

(74) *Attorney, Agent, or Firm*—Brinks Hofer Gilson & Lione

(57) **CLAIM**

I claim the ornamental design for a digital videodisc recorder with video tape recorder, as shown and described.

**DESCRIPTION**

FIG. 1 is a top perspective view of a digital videodisc recorder with video tape recorder of the present invention;

FIG. 2 is a front view thereof;

FIG. 3 is a first side view thereof;

FIG. 4 is a second side view thereof;

FIG. 5 is a rear view thereof;

FIG. 6 is a top view thereof; and,

FIG. 7 is a bottom view thereof.

**1 Claim, 3 Drawing Sheets**

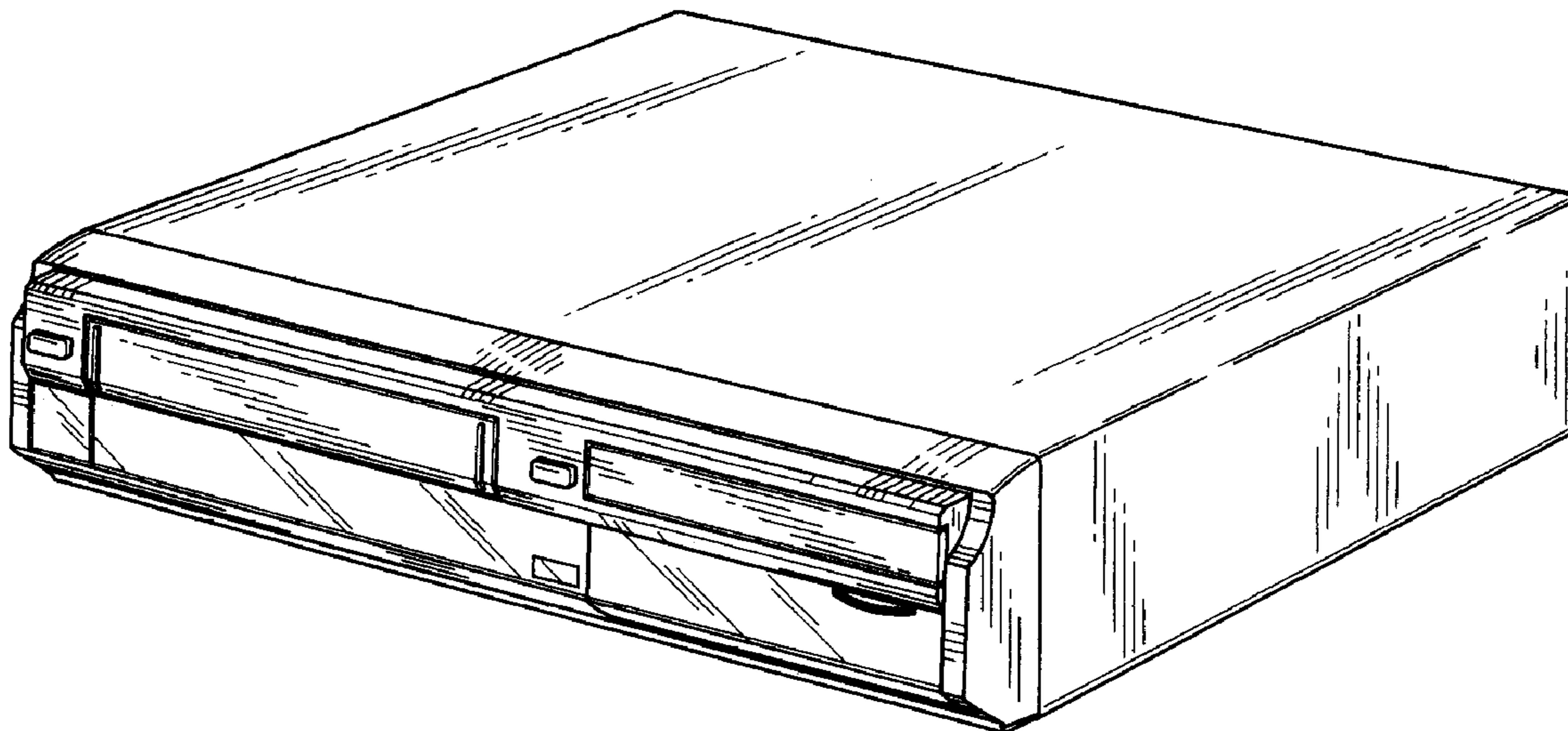


FIG.1

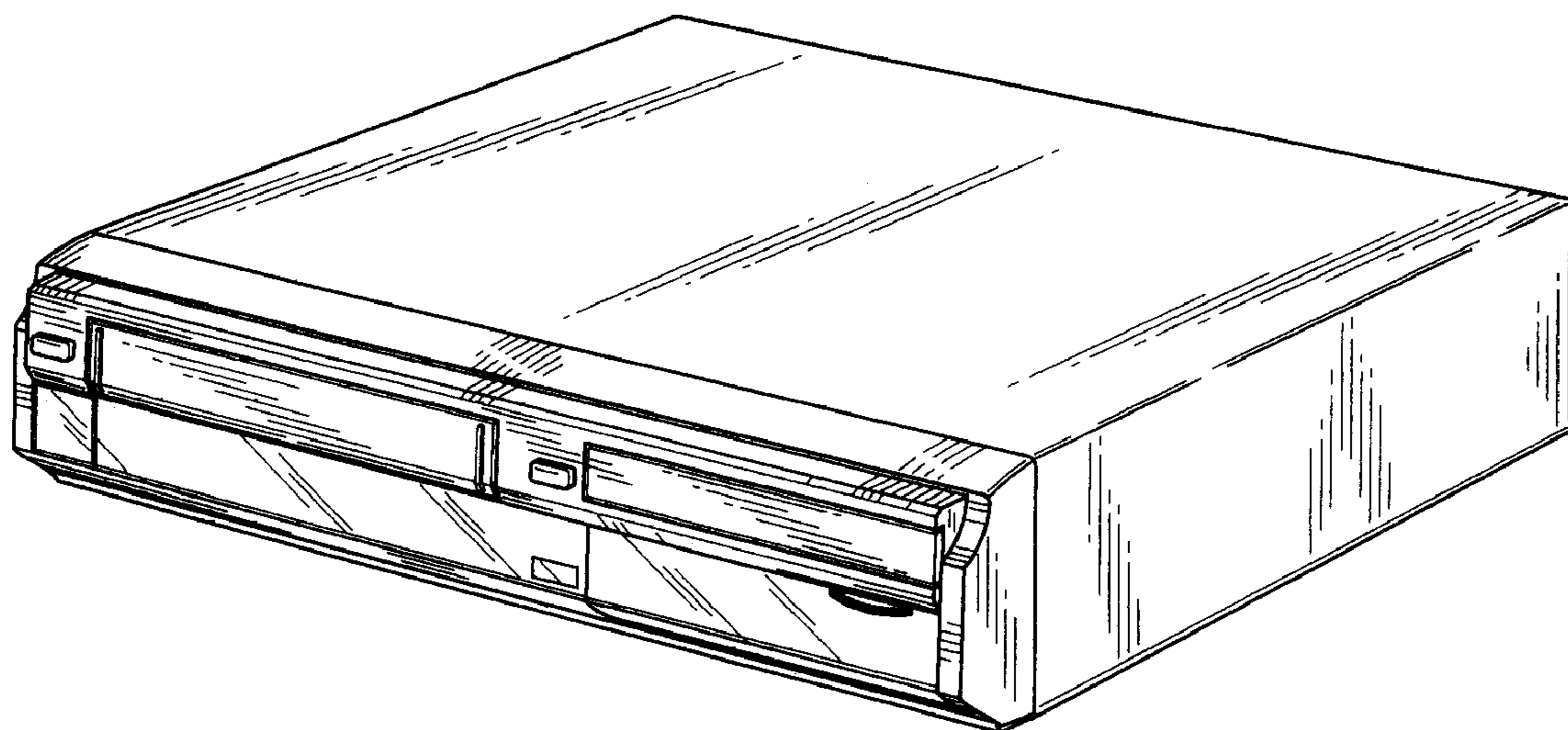
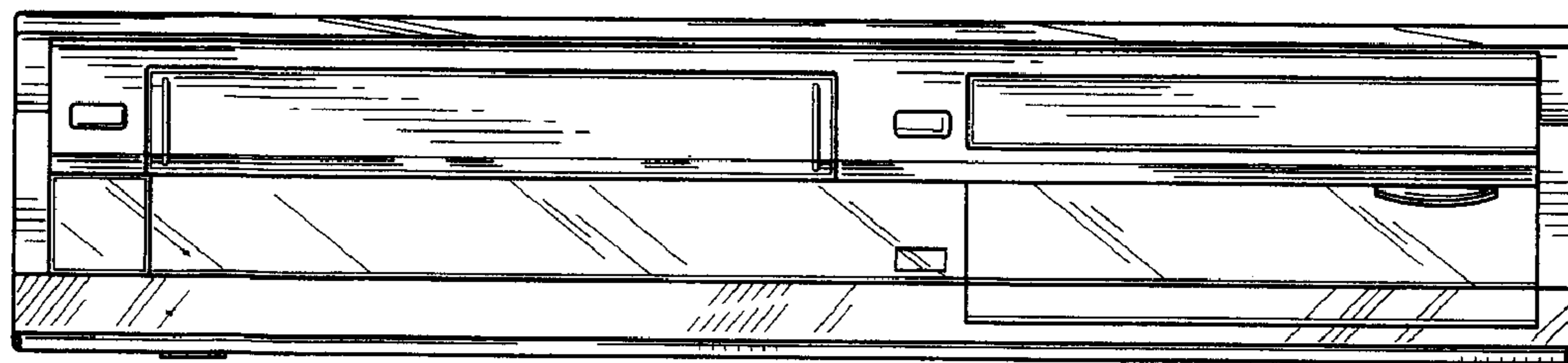
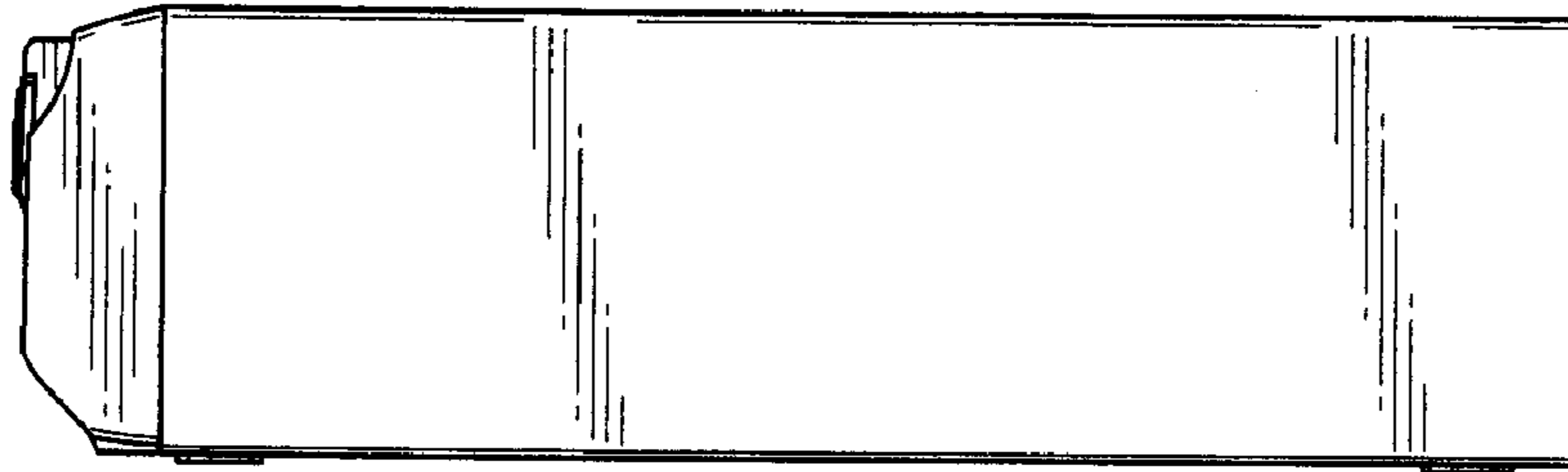


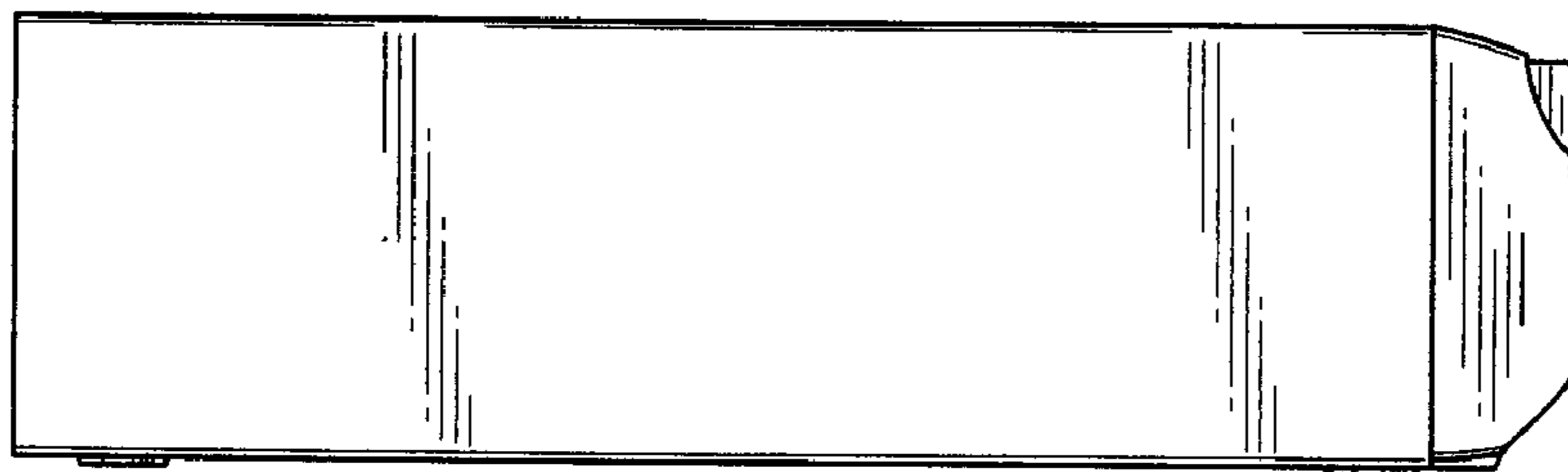
FIG.2



*FIG.3*



*FIG.4*



*FIG.5*

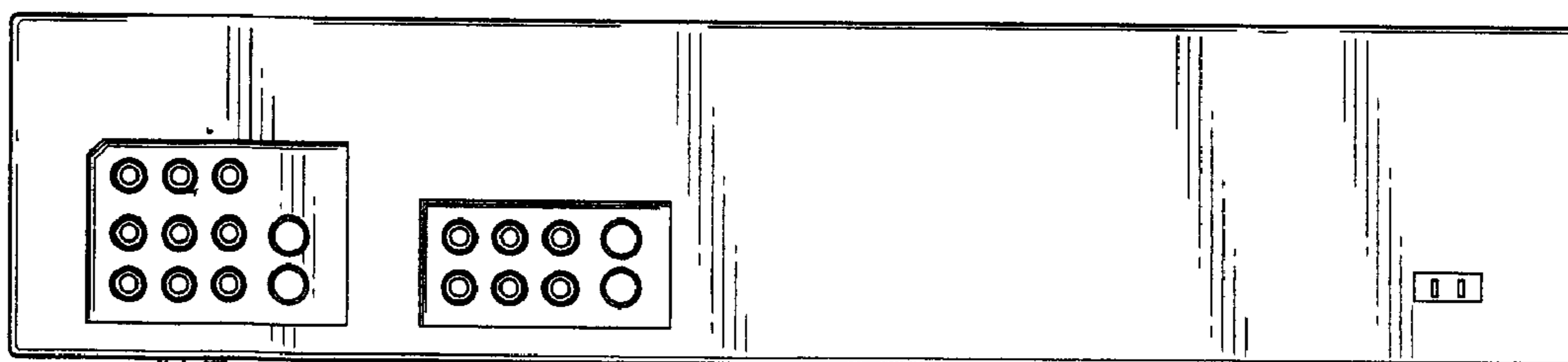


FIG.6

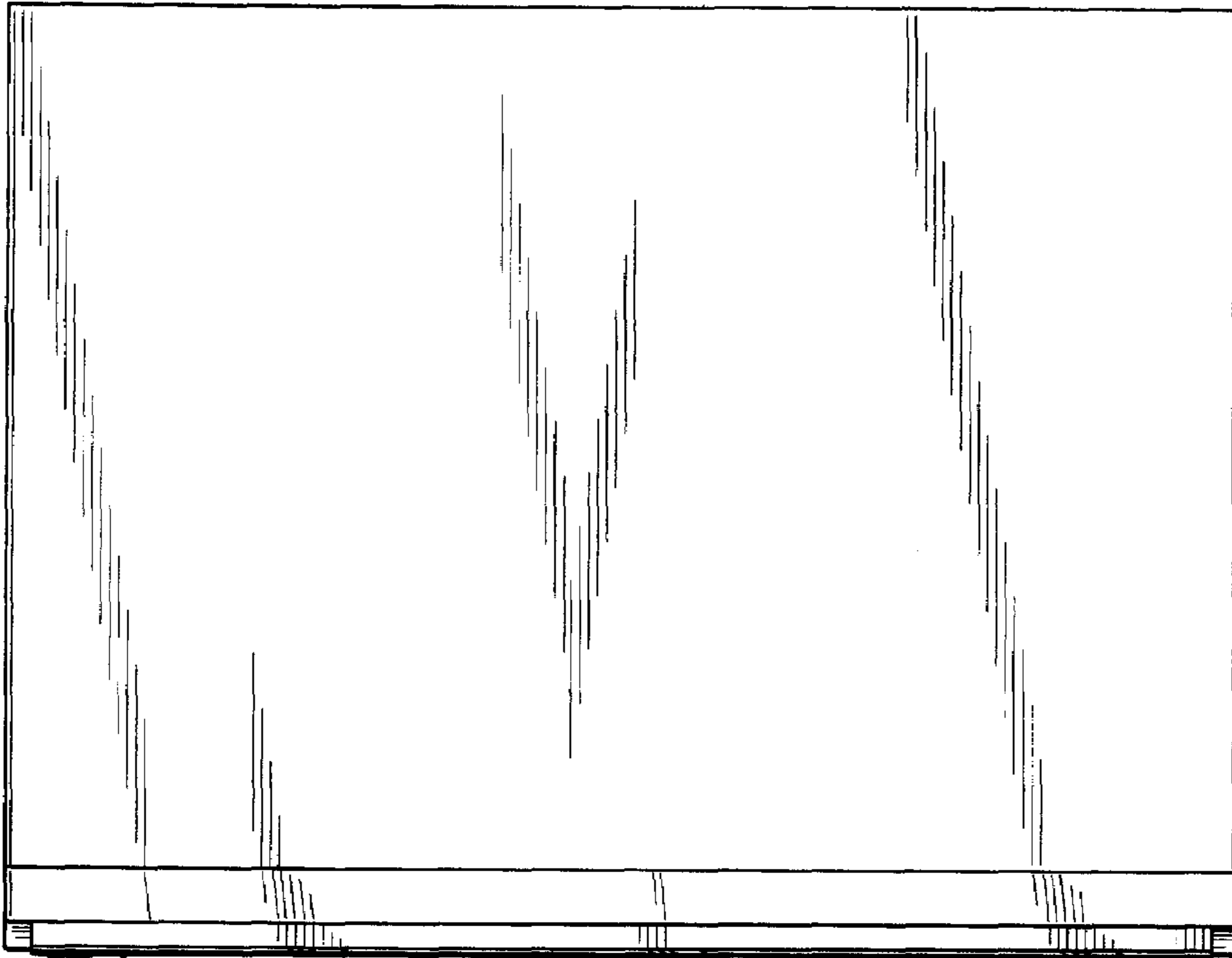


FIG.7

