



US00D554613S

(12) **United States Design Patent**
Hikino et al.

(10) **Patent No.:** **US D554,613 S**

(45) **Date of Patent:** **** Nov. 6, 2007**

(54) **TELEPHONE**

(75) Inventors: **Eiji Hikino**, Kawasaki (JP); **Takeshi Nakatani**, Tokyo (JP)

(73) Assignee: **NEC Infrontia Corporation**, Kanagawa (JP)

(**) Term: **14 Years**

(21) Appl. No.: **29/260,713**

(22) Filed: **May 30, 2006**

(30) **Foreign Application Priority Data**

Jan. 12, 2006 (JP) 2006-000376

(51) **LOC (8) Cl.** **14-03**

(52) **U.S. Cl.** **D14/140; D14/142**

(58) **Field of Classification Search** D14/130, D14/142, 146-151, 144, 248, 243, 329, 330, D14/140.8; 348/14.01-14.16, 211.99; 370/352, 370/356; 382/557; 455/557, 566, 550.1-90.3; 379/88.17, 90.01, 93.17, 93.19, 93.22, 102.06, 379/419, 420.01-420.04, 428.01-428.04, 379/433.01-436, 440, 441, 454, 900
See application file for complete search history.

(56) **References Cited**

U.S. PATENT DOCUMENTS

3,627,930 A * 12/1971 Tolman 379/433.01

D301,874 S * 6/1989 Roegner D14/148
D333,465 S * 2/1993 Hayes et al. D14/142
D361,330 S * 8/1995 Solomita et al. D14/149
D403,678 S * 1/1999 Hawley et al. D14/149
D437,588 S * 2/2001 Jauregui et al. D14/148
D457,866 S * 5/2002 Matsui et al. D14/148

* cited by examiner

Primary Examiner—Terry A Wallace

(74) *Attorney, Agent, or Firm*—Seyfarth Shaw LLP

(57) **CLAIM**

The ornamental design for the telephone, as shown and described.

DESCRIPTION

FIG. 1 is a front elevational view of the telephone showing our new design;

FIG. 2 is a rear elevational view thereof;

FIG. 3 is a left-side elevational view of one side thereof;

FIG. 4 is a right-side elevational view of the other side thereof;

FIG. 5 is a top plan view thereof;

FIG. 6 is a bottom plan view thereof;

FIG. 7 is a perspective view thereof; and,

FIG. 8 is a front elevational view like FIG. 1, but with the handset removed from the cradle.

1 Claim, 2 Drawing Sheets

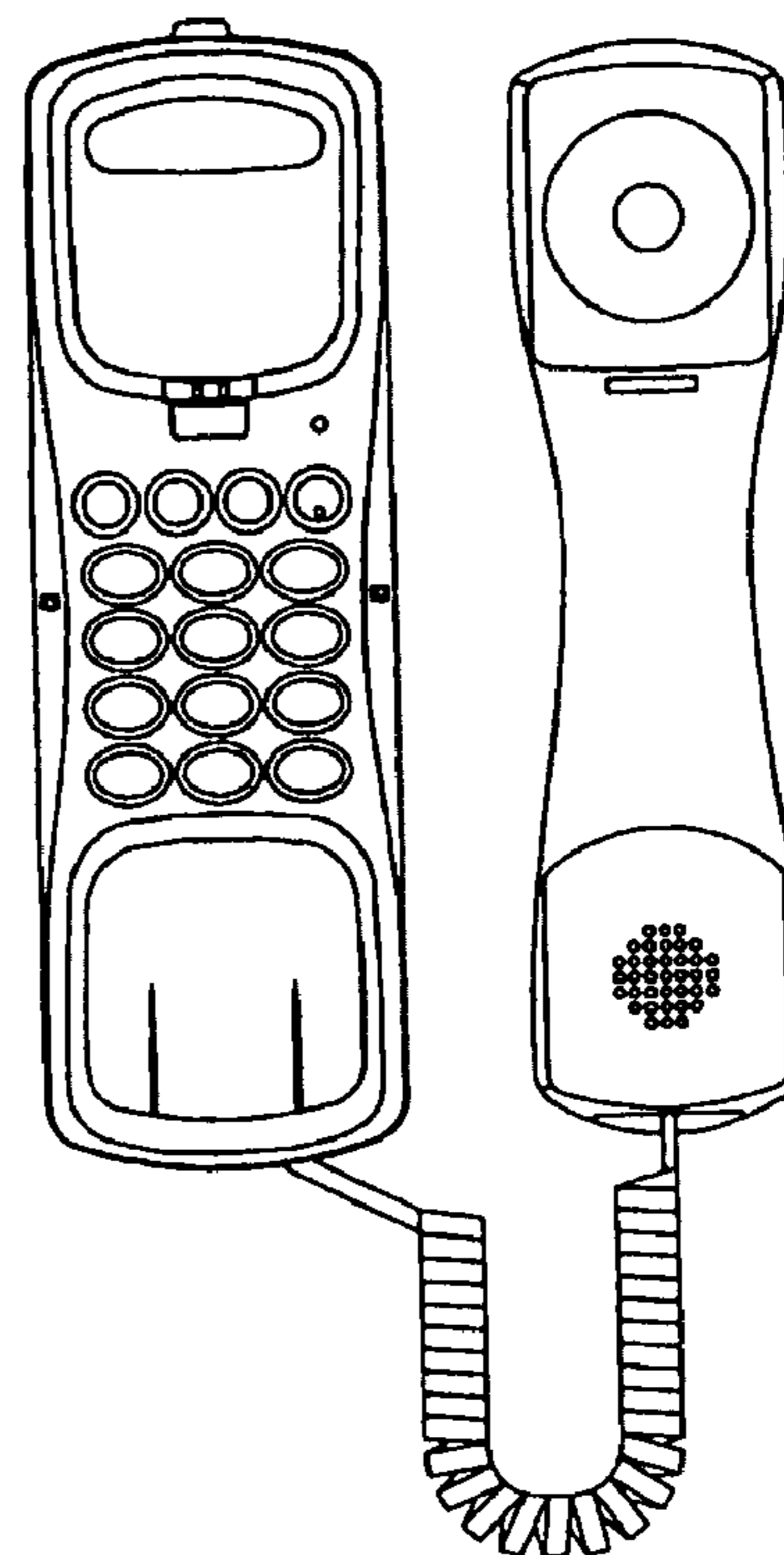
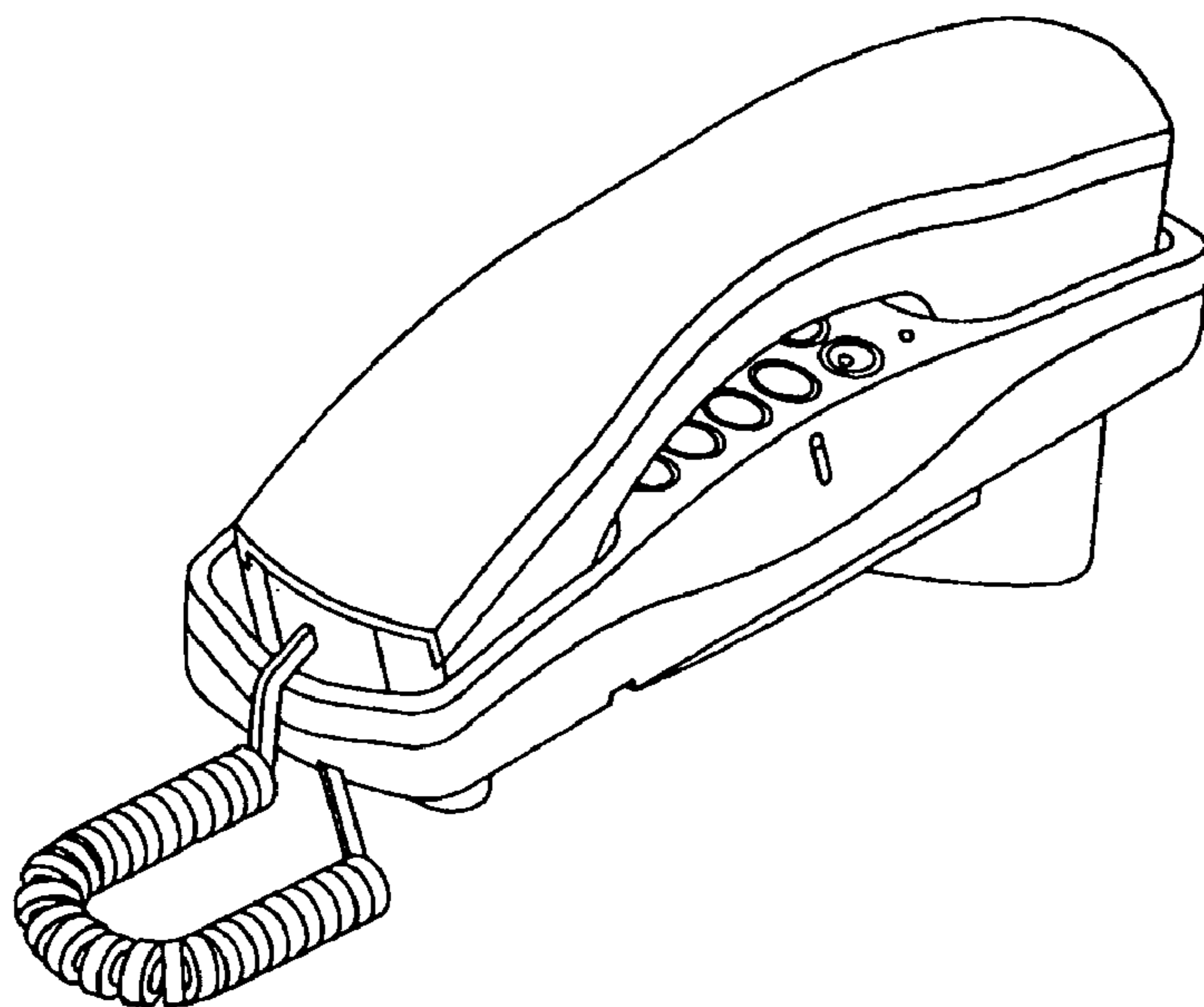


FIG.1

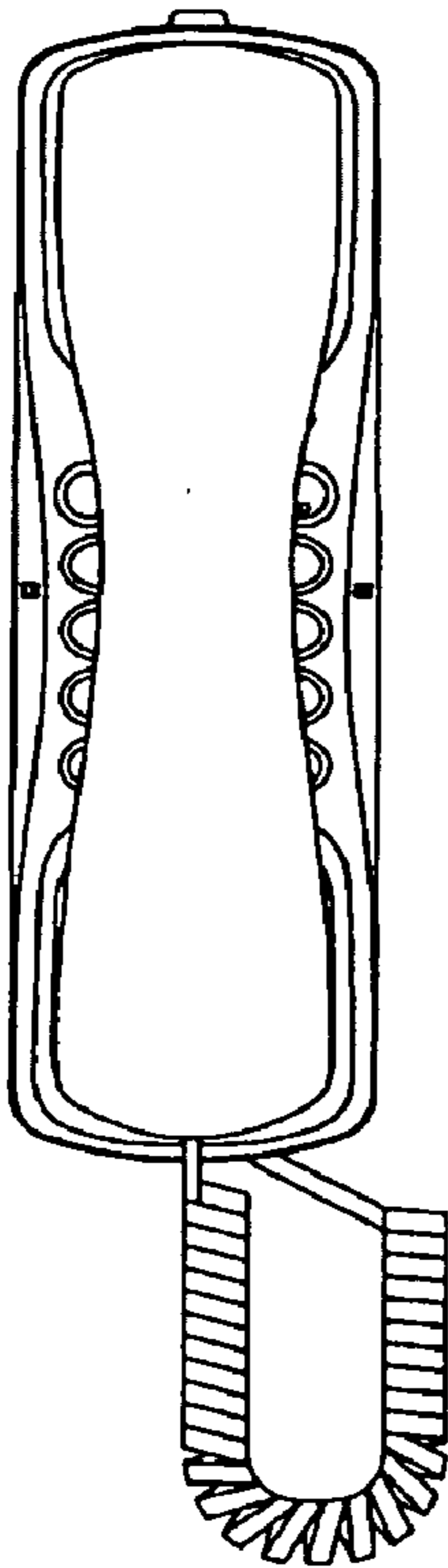


FIG.2

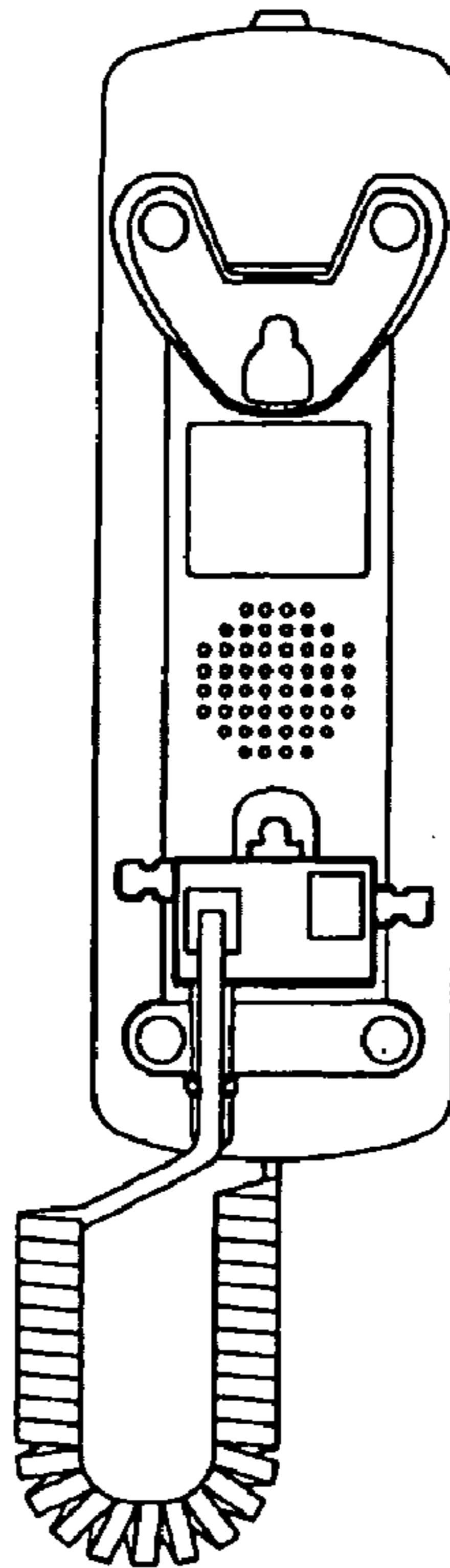


FIG.3

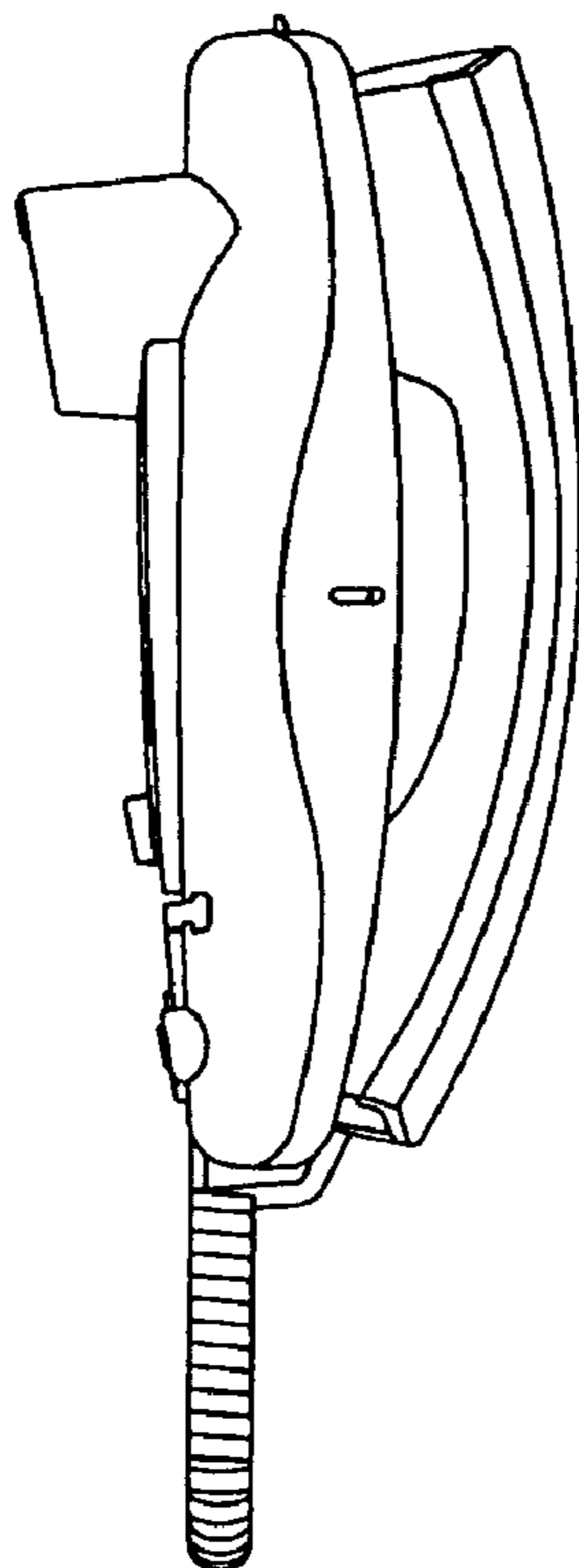


FIG.4

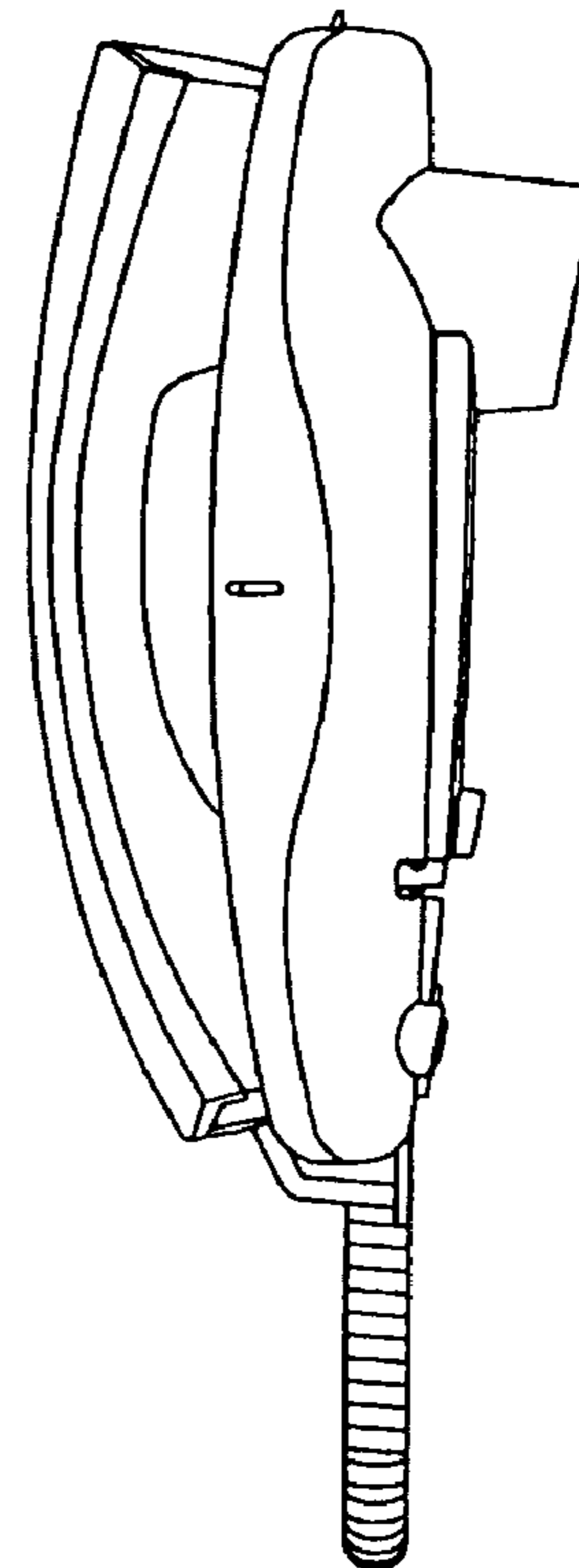


FIG.5

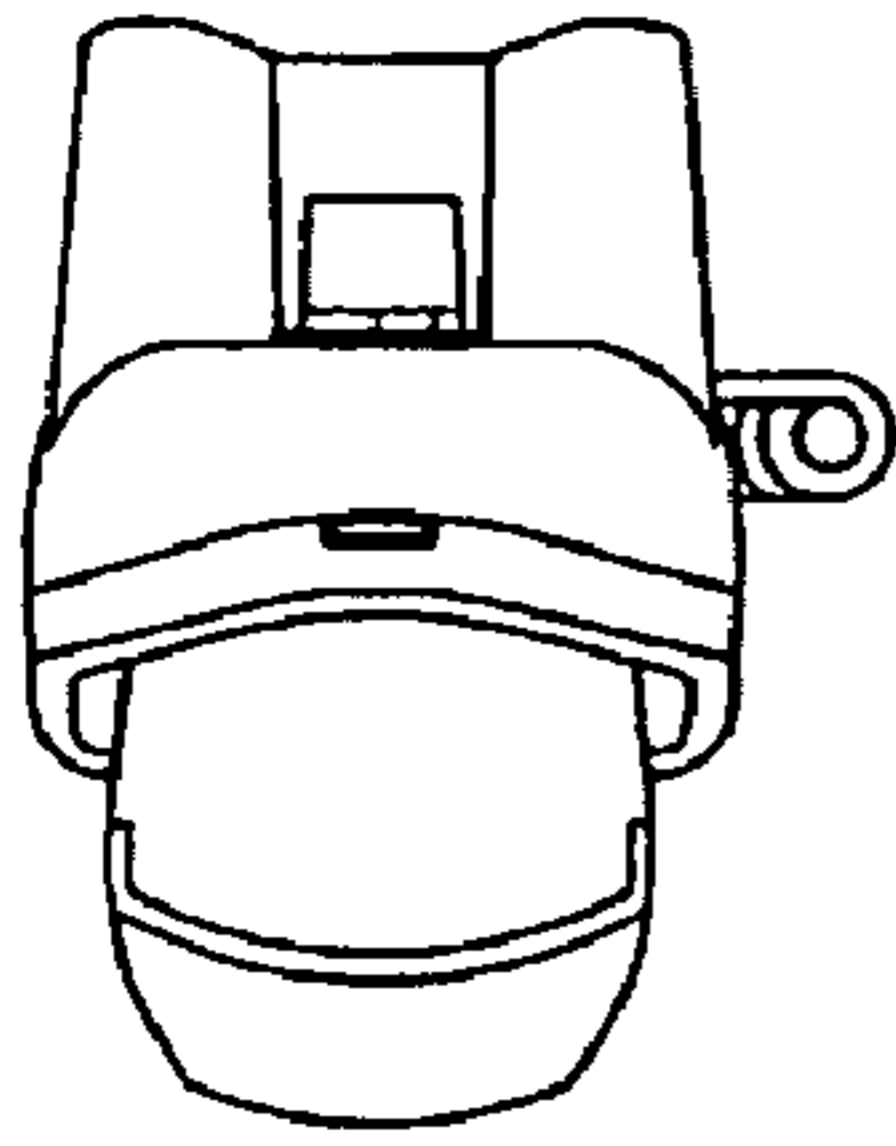


FIG.6

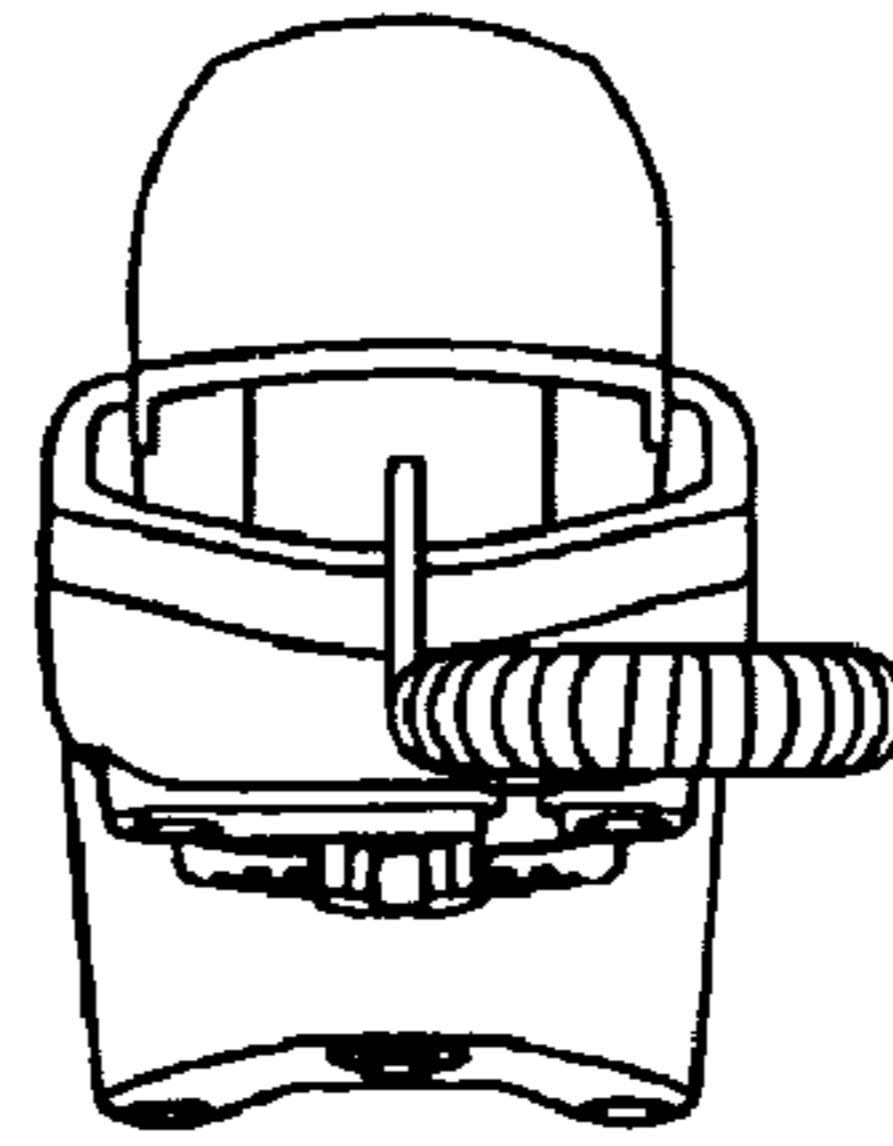


FIG.7

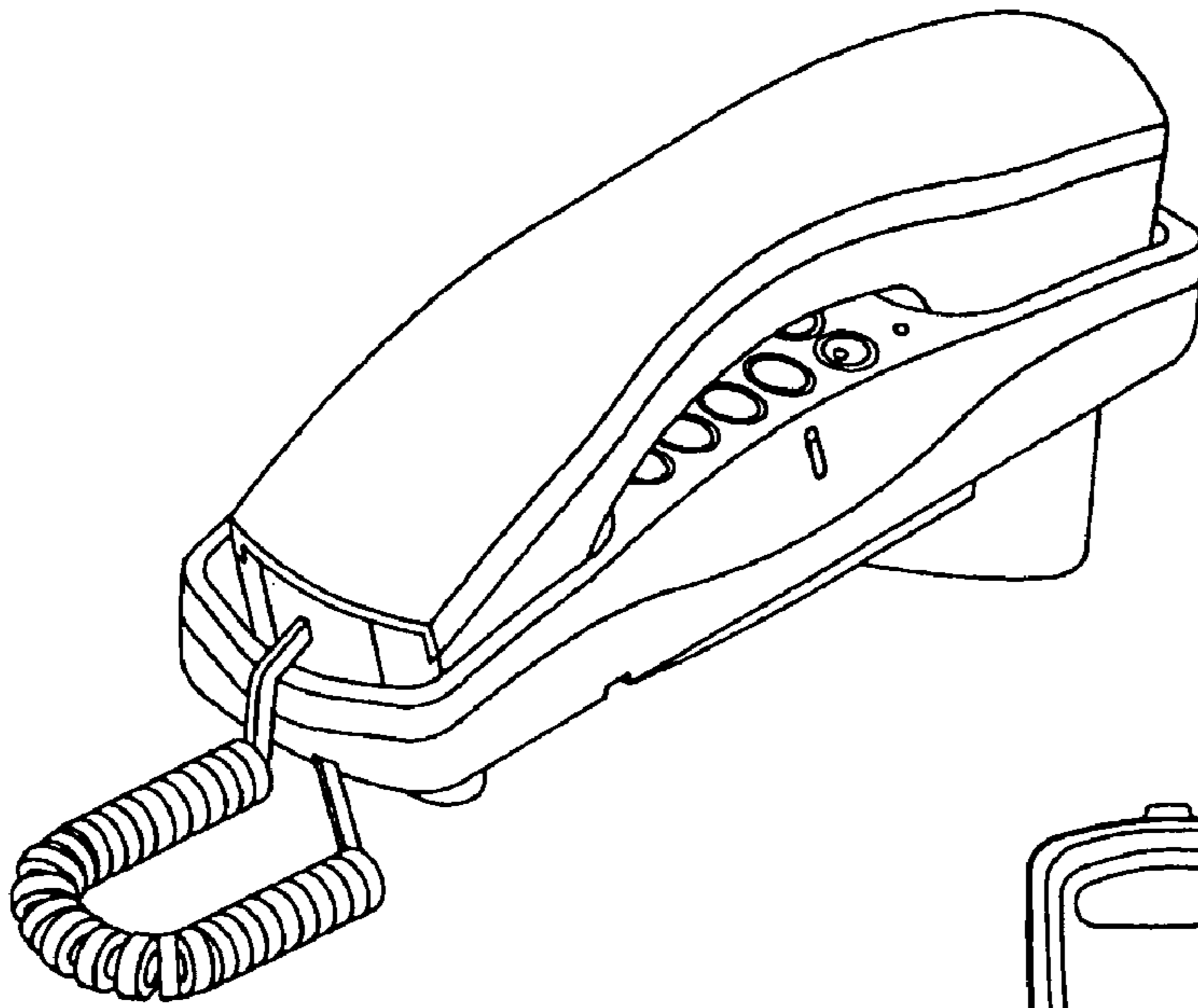


FIG.8

