



US00D554606S

(12) **United States Design Patent**  
**Kimura**

(10) **Patent No.:** **US D554,606 S**

(45) **Date of Patent:** **\*\* Nov. 6, 2007**

(54) **DISC PLAYER WITH AMPLIFIER**

D500,299 S \* 12/2004 Obata ..... D14/156  
D513,507 S \* 1/2006 Tsuge ..... D14/156

(75) Inventor: **Hideyuki Kimura**, Yokohama (JP)

\* cited by examiner

(73) Assignee: **Victor Company of Japan Limited**,  
Yokohama (JP)

*Primary Examiner*—Nanda Bondade  
(74) *Attorney, Agent, or Firm*—The Nath Law Group; Jerald  
L. Meyer; Derek Richmond

(\*\*) Term: **14 Years**

(21) Appl. No.: **29/261,728**

(57) **CLAIM**

(22) Filed: **Jun. 20, 2006**

The ornamental design for a disc player with amplifier, as  
shown and described.

(30) **Foreign Application Priority Data**

**DESCRIPTION**

Dec. 28, 2005 (JP) ..... D2005-038739

FIG. 1 is a front perspective view of a disc player with  
amplifier;

(51) **LOC (8) Cl.** ..... **14-01**

FIG. 2 is a rear perspective view thereof;

(52) **U.S. Cl.** ..... **D14/136; D14/168**

FIG. 3 is a front view thereof;

(58) **Field of Classification Search** ..... D14/135–136,  
D14/156–157, 167–168, 198, 188, 217, 257,  
D14/258, 445; 360/99.02, 99.07; 369/75.11,  
369/75.21, 77.21, 77.11; 720/612, 619, 647,  
720/655; 455/344, 347–351

FIG. 4 is a rear view thereof;

FIG. 5 is a right side view thereof;

See application file for complete search history.

FIG. 6 is a left side view thereof;

FIG. 7 is a top plan view thereof; and,

FIG. 8 is a bottom plan view thereof.

The broken lines shown in the views are for illustrative  
purpose only and form no part of the claimed design.

(56) **References Cited**

**U.S. PATENT DOCUMENTS**

**1 Claim, 4 Drawing Sheets**

D485,245 S \* 1/2004 Shiraki et al. .... D14/136  
D488,798 S \* 4/2004 Ishii et al. .... D14/168

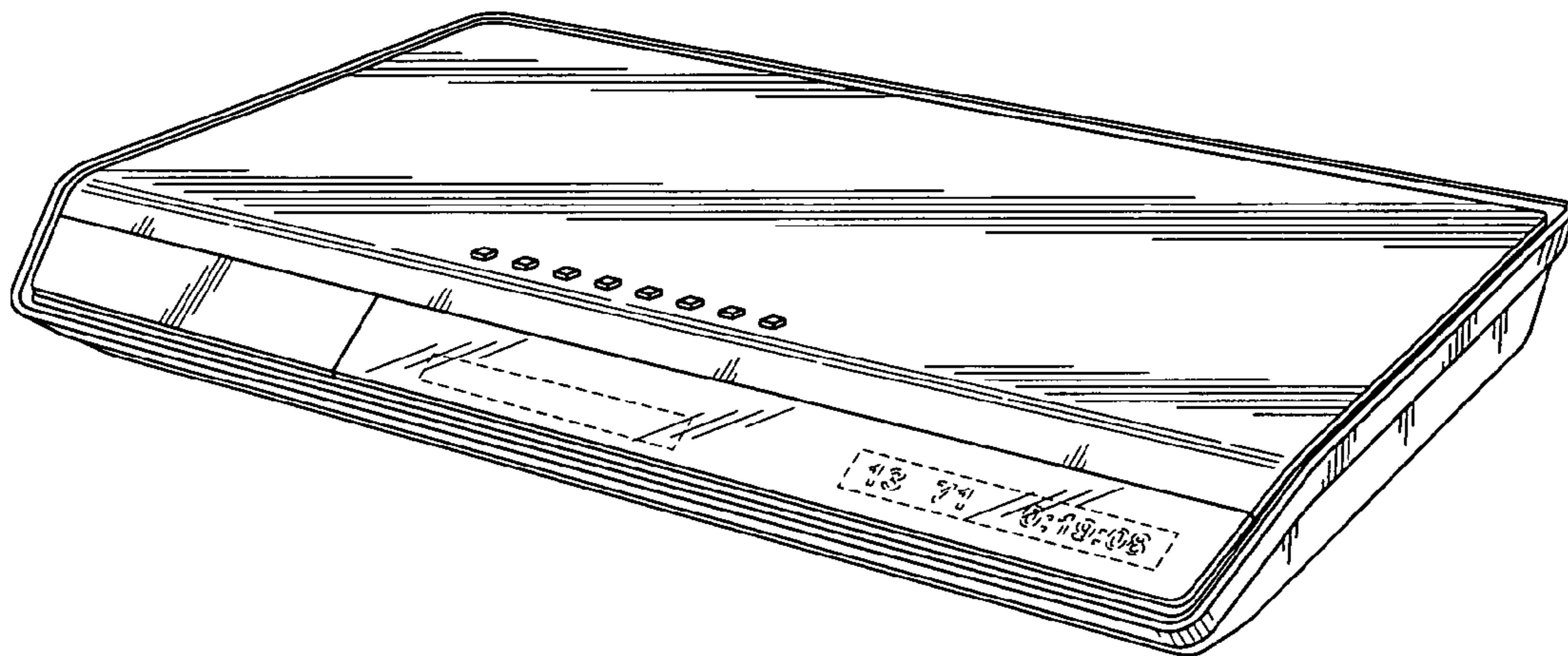


Fig.1

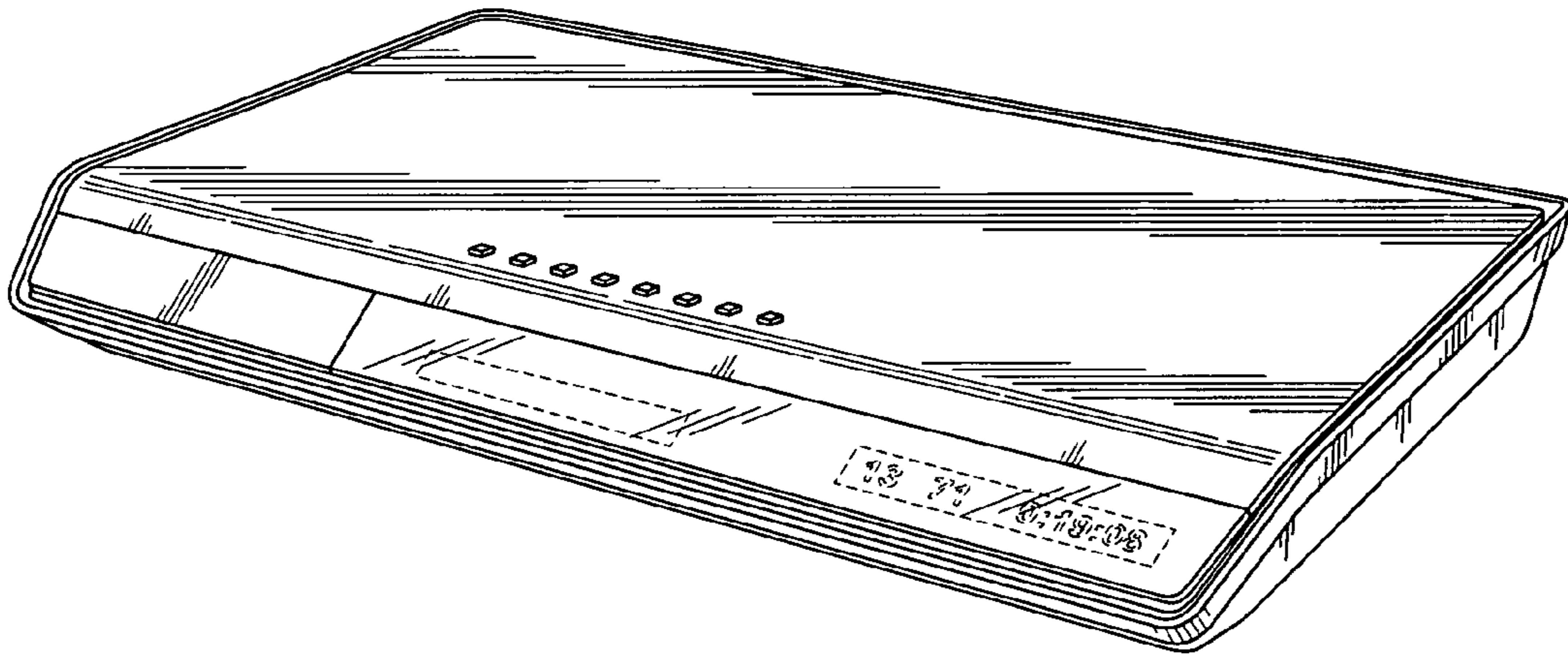


Fig.2

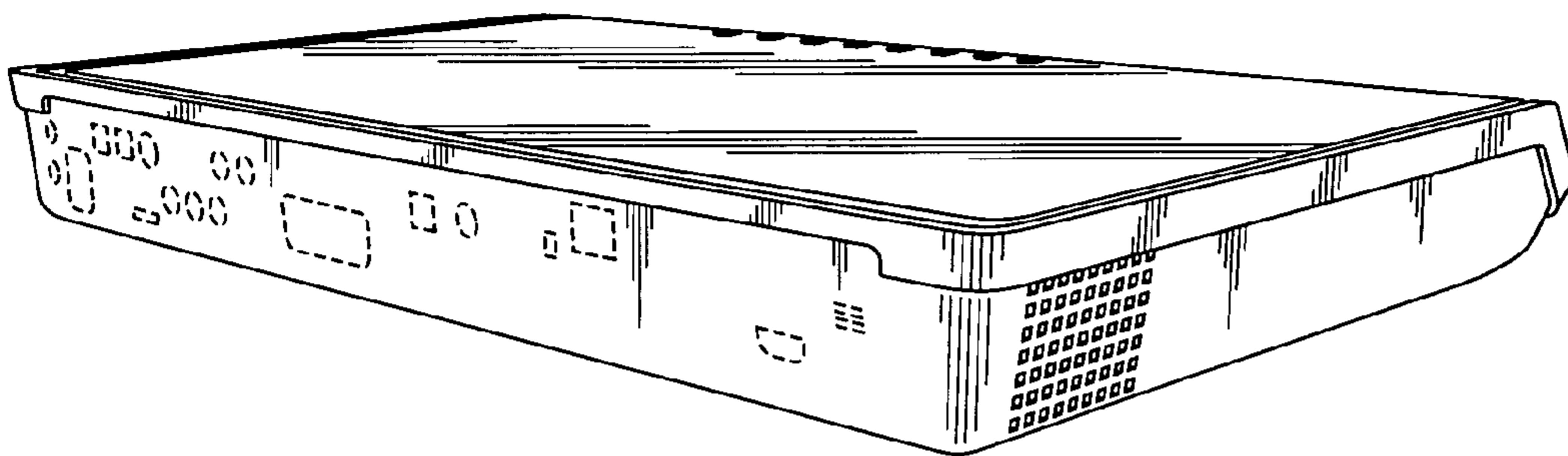


Fig.3

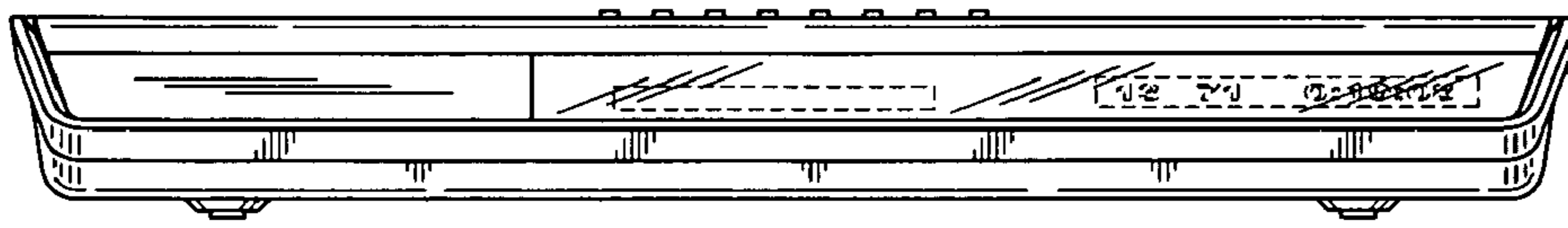


Fig.4

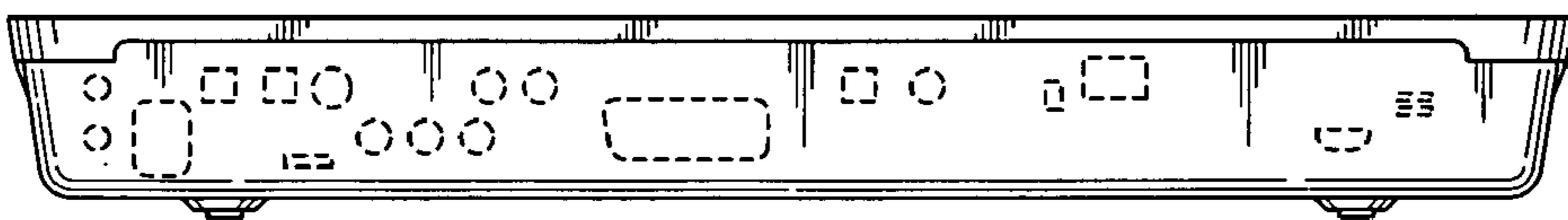


Fig.5

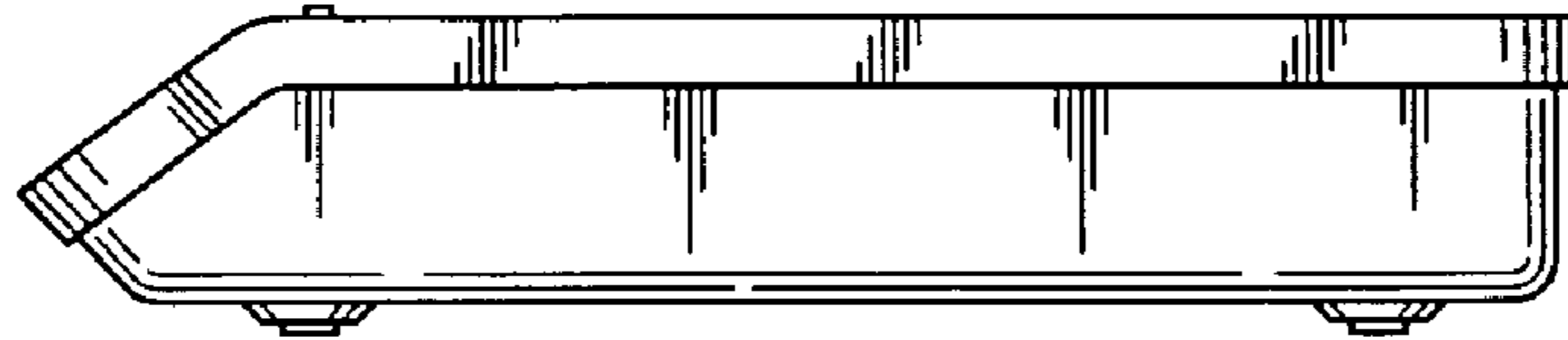


Fig.6

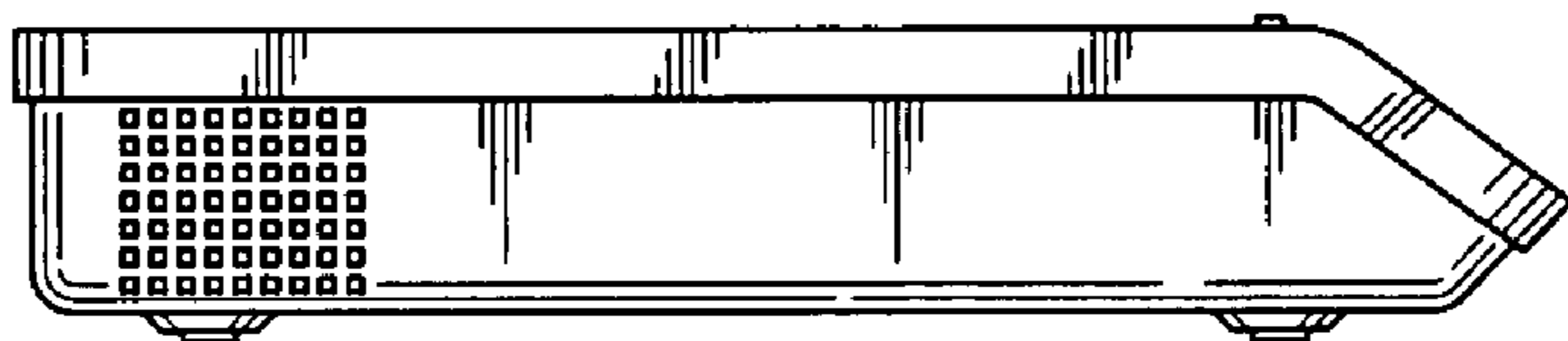


Fig.7

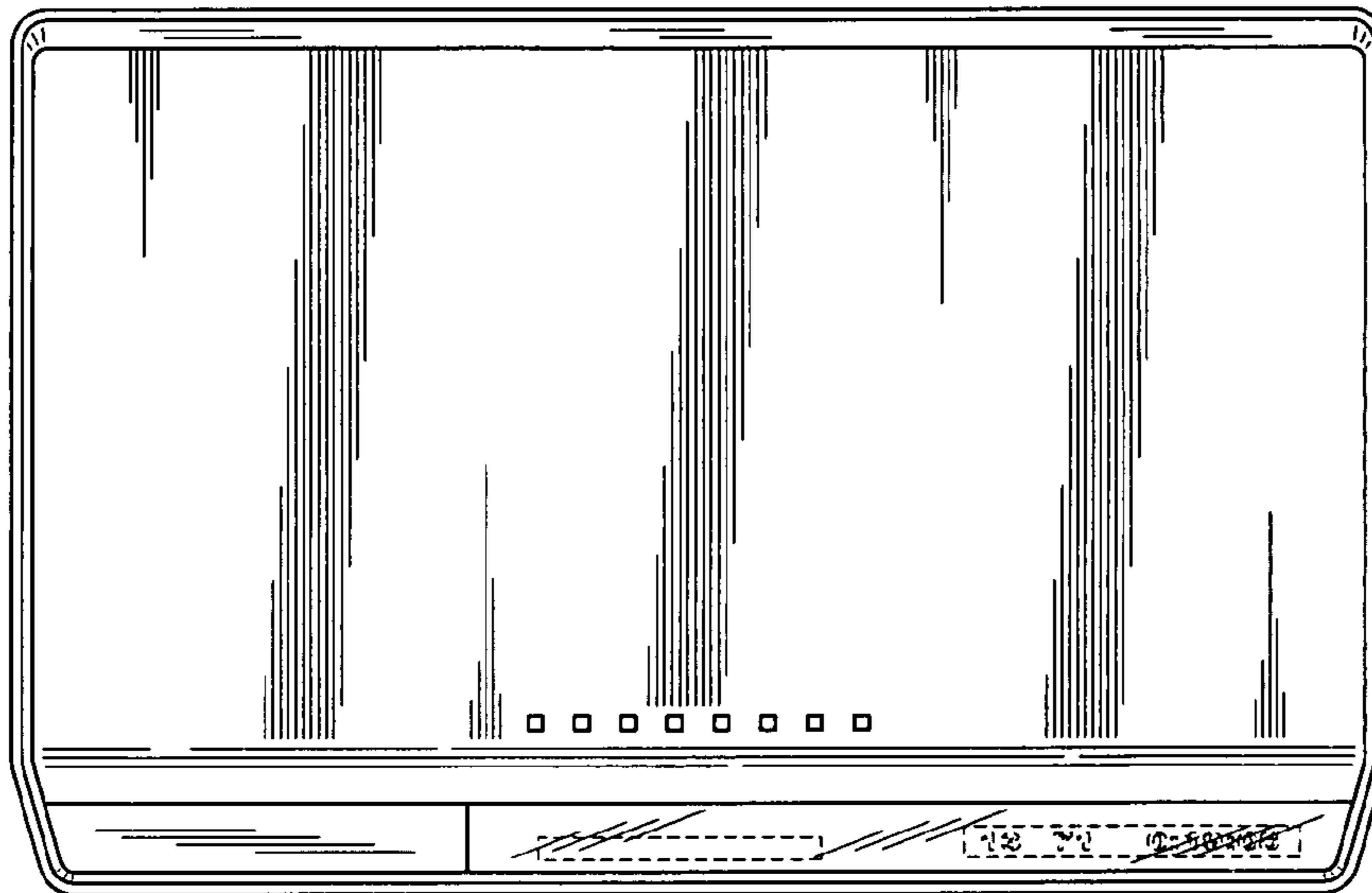


Fig.8

