



US00D554605S

(12) **United States Design Patent**
Hisatsune

(10) **Patent No.:** **US D554,605 S**
(45) **Date of Patent:** **** Nov. 6, 2007**

(54) **VIDEOTAPE RECORDER**

D502,696 S 3/2005 Ishibashi

(75) Inventor: **Toshiyuki Hisatsune**, Tokyo (JP)

FOREIGN PATENT DOCUMENTS

(73) Assignee: **Sony Corporation**, Tokyo (JP)

JP D1116786 S 7/2001

(**) Term: **14 Years**

OTHER PUBLICATIONS

(21) Appl. No.: **29/260,761**

Web page "DSR-11" http://www.ecat.sony.co.jp/business/dvcam_vtr/products/index.cfm?PD=12149, 1 sheet, Sony (Apr. 2006).

(22) Filed: **Jun. 1, 2006**

* cited by examiner

(30) **Foreign Application Priority Data**

Primary Examiner—Nanda Bondade
(74) *Attorney, Agent, or Firm*—Rader, Fishman & Grauer PLLC

Jan. 16, 2006 (JP) D2006-000555

(51) **LOC (8) Cl.** **14-01**

(52) **U.S. Cl.** **D14/136**

(58) **Field of Classification Search** D14/135–136,
D14/156–157, 168, 197–198, 188, 217, 257,
D14/258, 445; 360/99.02, 99.07; 369/75.11,
369/75.21, 77.21, 77.11; 720/612, 619, 647,
720/655; 455/344, 347–351

See application file for complete search history.

(57) **CLAIM**

The ornamental design for a videotape recorder, as shown.

DESCRIPTION

FIG. 1 is a perspective view of a videotape recorder showing my new design;

FIG. 2 is an enlarged front elevational view thereof;

FIG. 3 is a rear elevational view thereof;

FIG. 4 is a left side elevational view thereof;

FIG. 5 is a right side elevational view thereof;

FIG. 6 is a top plan view thereof; and,

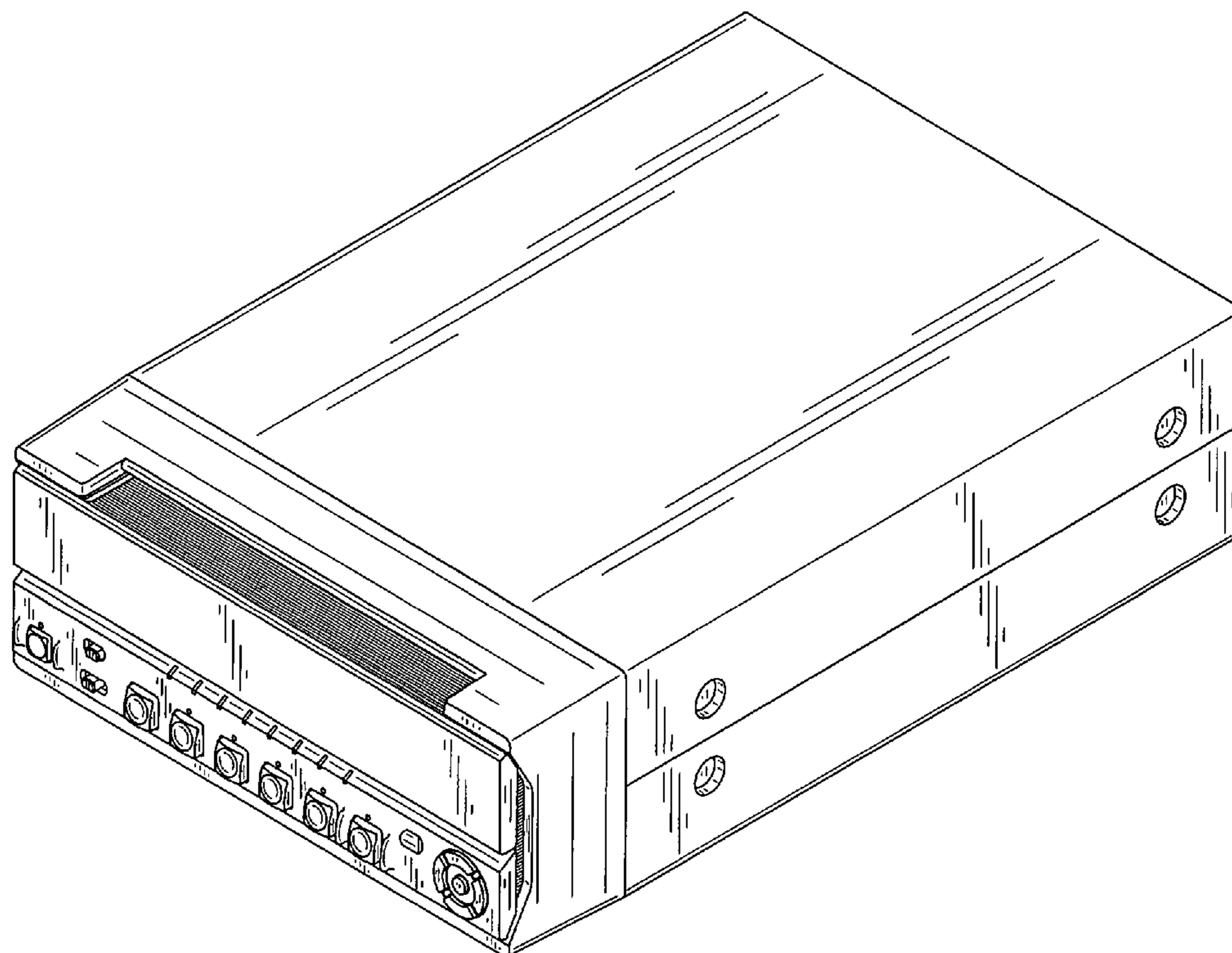
FIG. 7 is a bottom plan view thereof.

(56) **References Cited**

U.S. PATENT DOCUMENTS

D418,130 S	12/1999	Iribe	
D423,008 S *	4/2000	Shintani	D14/168
D446,194 S	8/2001	Yamazaki et al.	
D448,354 S *	9/2001	Ito et al.	D14/136
D487,257 S *	3/2004	Miyazaki	D14/136
D501,193 S	1/2005	Tsuge	

1 Claim, 7 Drawing Sheets



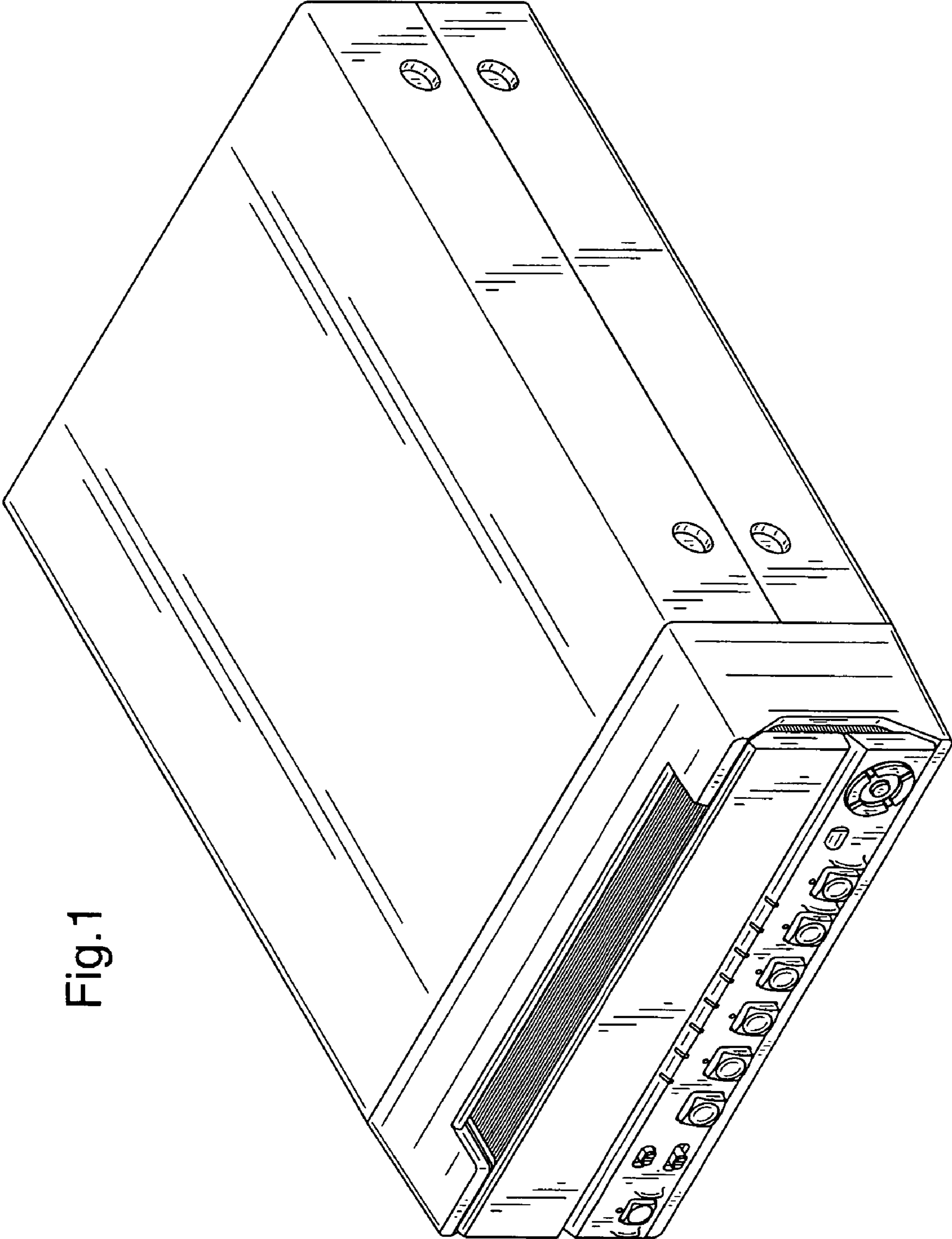


Fig.1

Fig.2

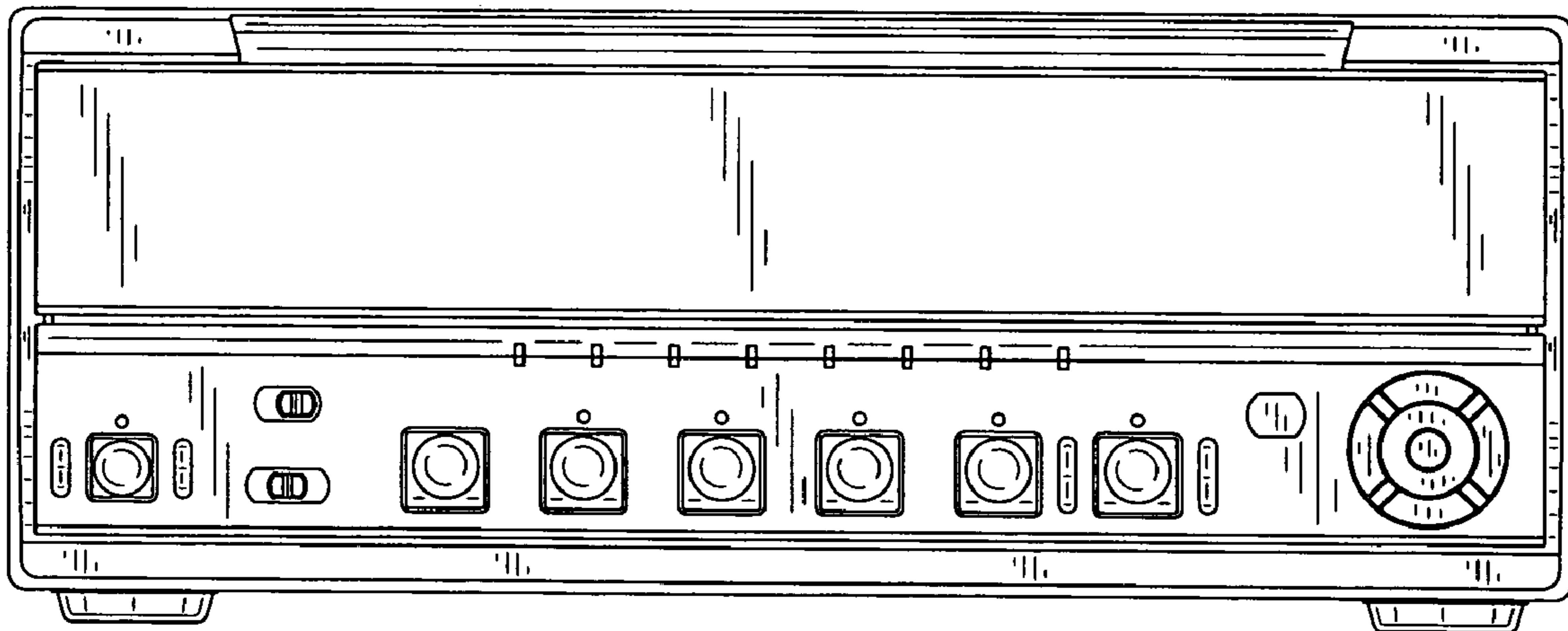


Fig.3

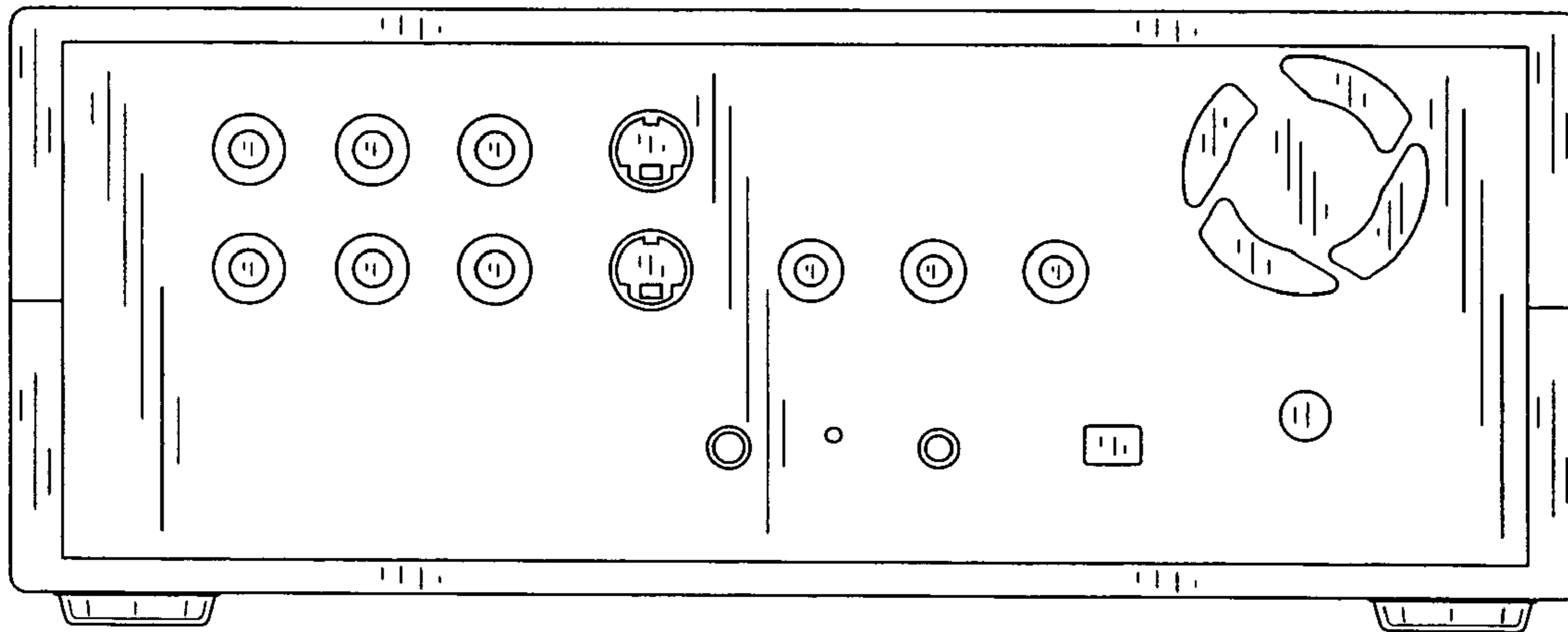


Fig. 4

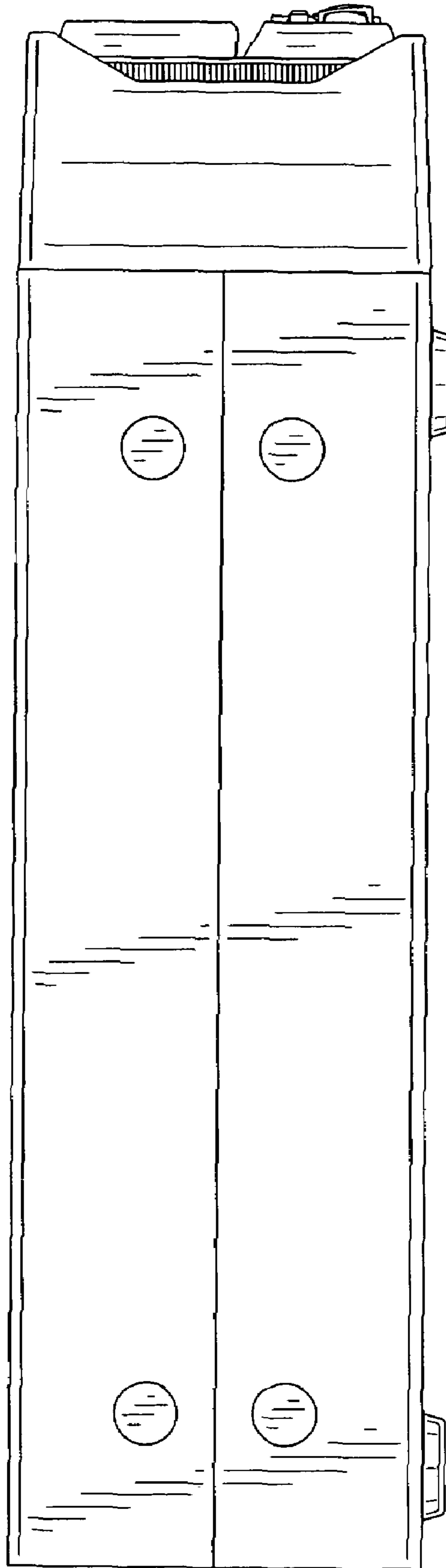


Fig.5

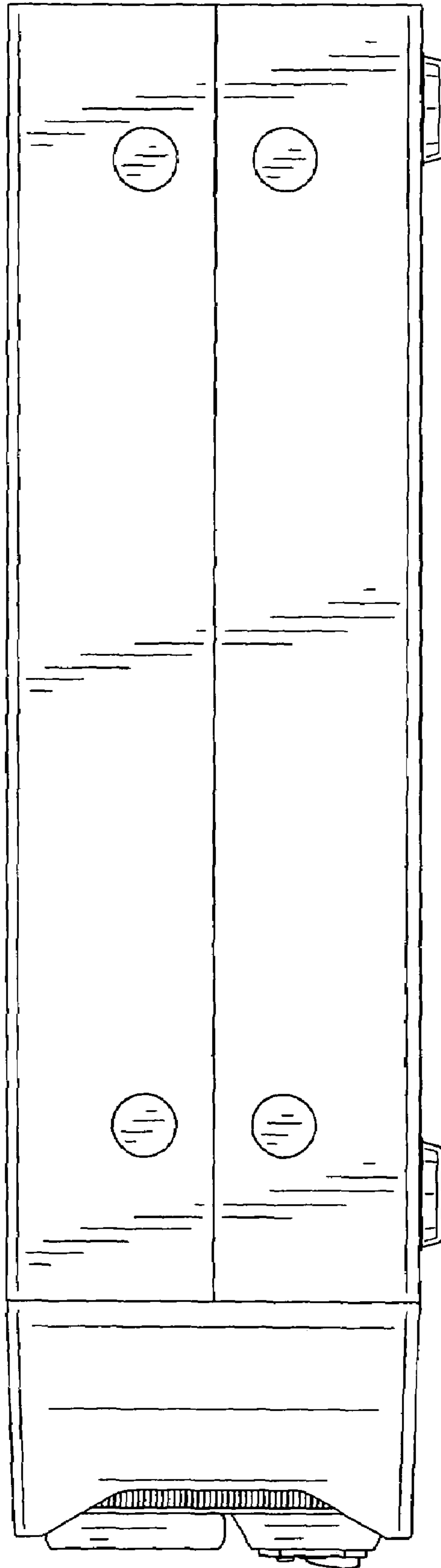


Fig.6

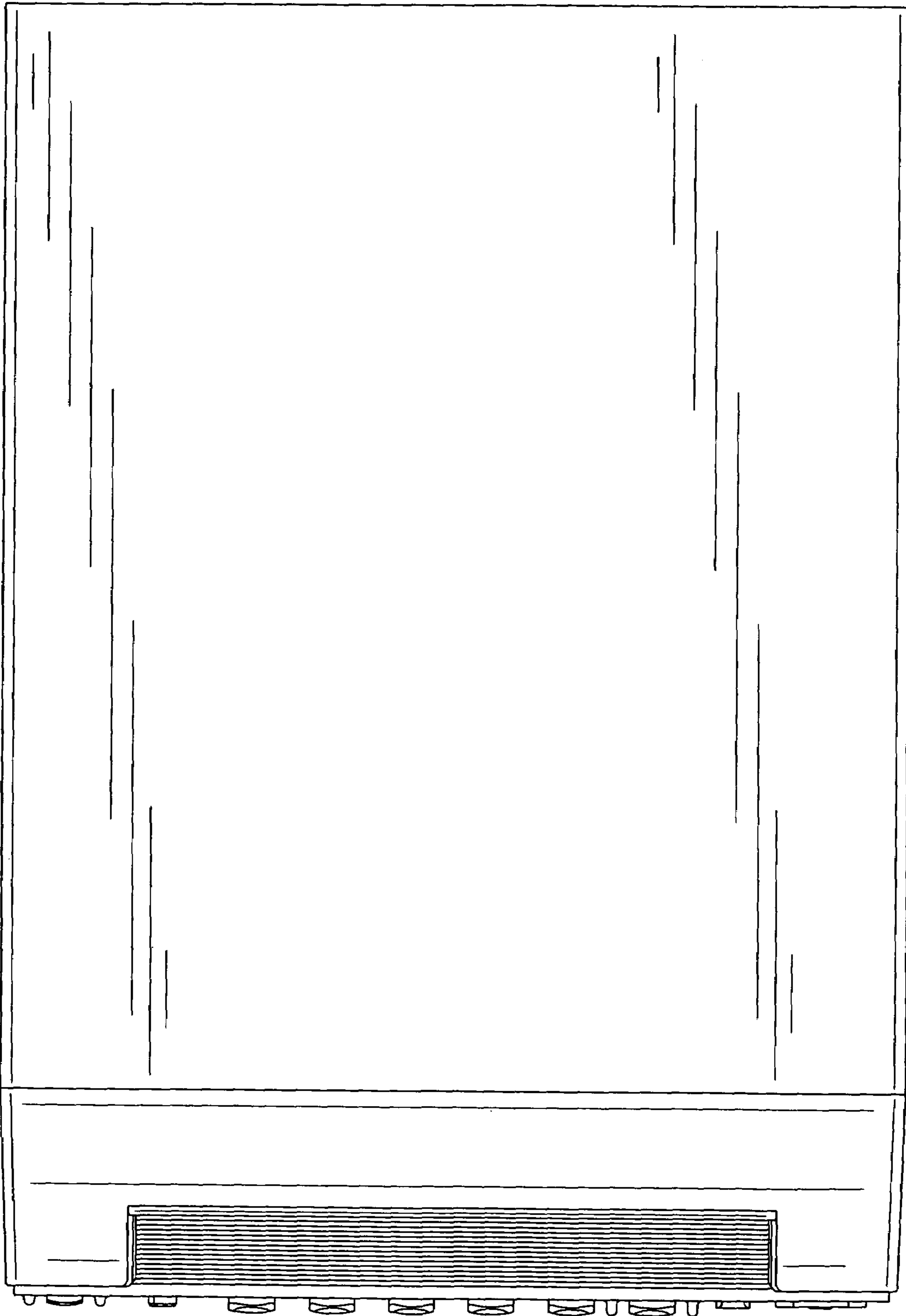


Fig.7

