



US00D554603S

(12) **United States Design Patent**
Murakami

(10) **Patent No.:** **US D554,603 S**

(45) **Date of Patent:** **** Nov. 6, 2007**

(54) **DISC RECORDER**

D510,094 S * 9/2005 Bolton et al. D14/496
D518,021 S * 3/2006 Tanaka D14/168

(75) Inventor: **Tomonari Murakami**, Tokyo (JP)

FOREIGN PATENT DOCUMENTS

(73) Assignee: **Sony Corporation**, Tokyo (JP)

JP D1072926 S 6/2000
JP D1256186 S 11/2005

(**) Term: **14 Years**

* cited by examiner

(21) Appl. No.: **29/257,246**

Primary Examiner—Nanda Bondade

(22) Filed: **Apr. 3, 2006**

(74) *Attorney, Agent, or Firm*—Rader, Fishman & Grauer
PLLC

(30) **Foreign Application Priority Data**

Jan. 5, 2006 (JP) D2006-000027

(57) **CLAIM**

(51) **LOC (8) Cl.** **14-01**

The ornamental design for a disc recorder, as shown.

(52) **U.S. Cl.** **D14/136**

DESCRIPTION

(58) **Field of Classification Search** D14/135–136,
D14/156–157, 167–168, 198, 188, 217, 257,
D14/258, 445; 360/99.02, 99.07; 720/612,
720/619, 647, 655; 455/344, 347–351; 369/77.11,
369/75.11, 75.21, 77.21

FIG. 1 is a perspective view of a disc recorder showing my
new design;

FIG. 2 is a front elevational view thereof;

FIG. 3 is a rear elevational view thereof;

FIG. 4 is a left side elevational view thereof;

FIG. 5 is a right side elevational view thereof;

FIG. 6 is a top plan view thereof; and,

FIG. 7 is a bottom plan view thereof.

See application file for complete search history.

(56) **References Cited**

U.S. PATENT DOCUMENTS

D402,979 S 12/1998 Ogasawara
D499,388 S 12/2004 Murakami
D500,299 S * 12/2004 Obata D14/156

1 Claim, 7 Drawing Sheets

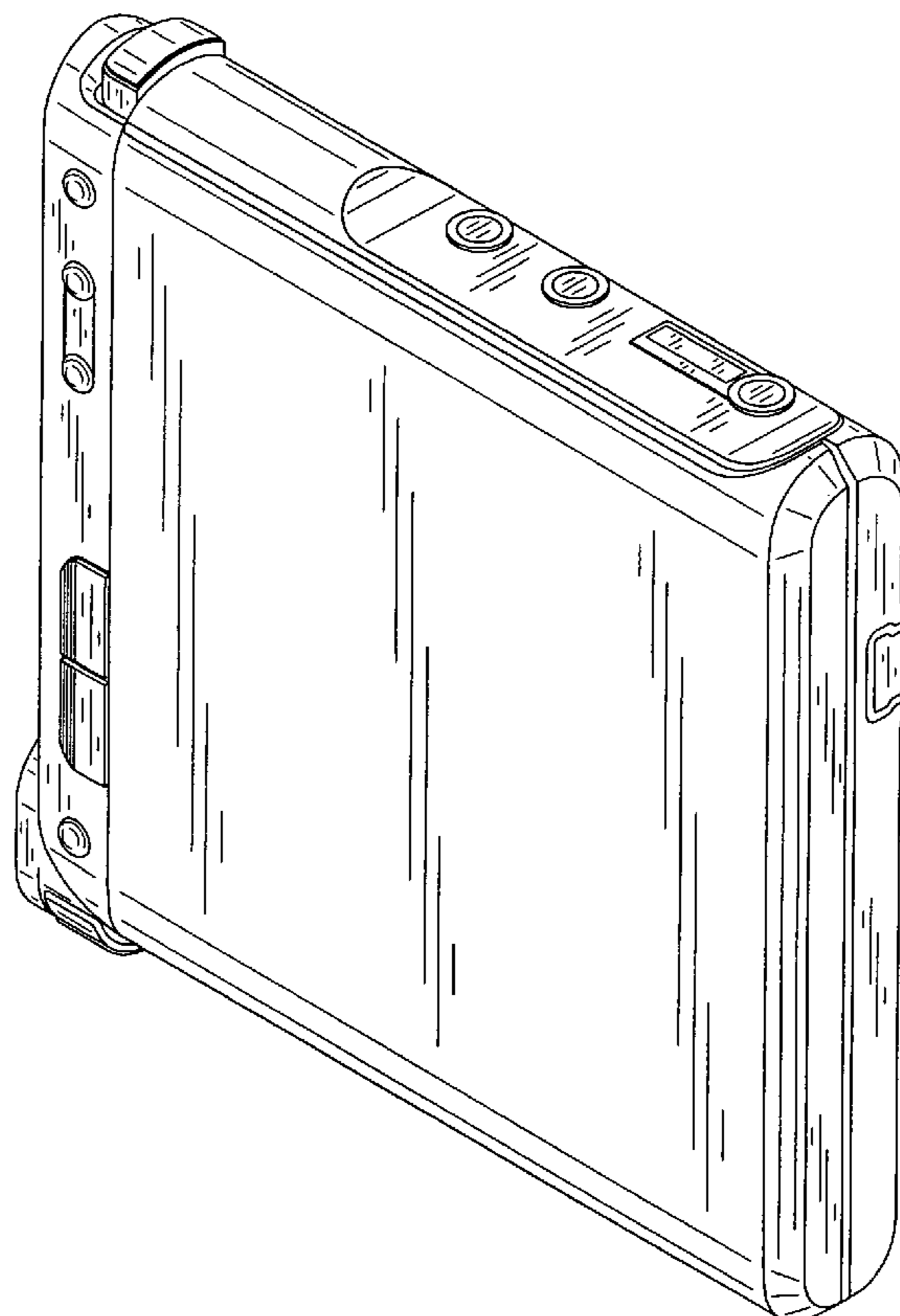


Fig. 1

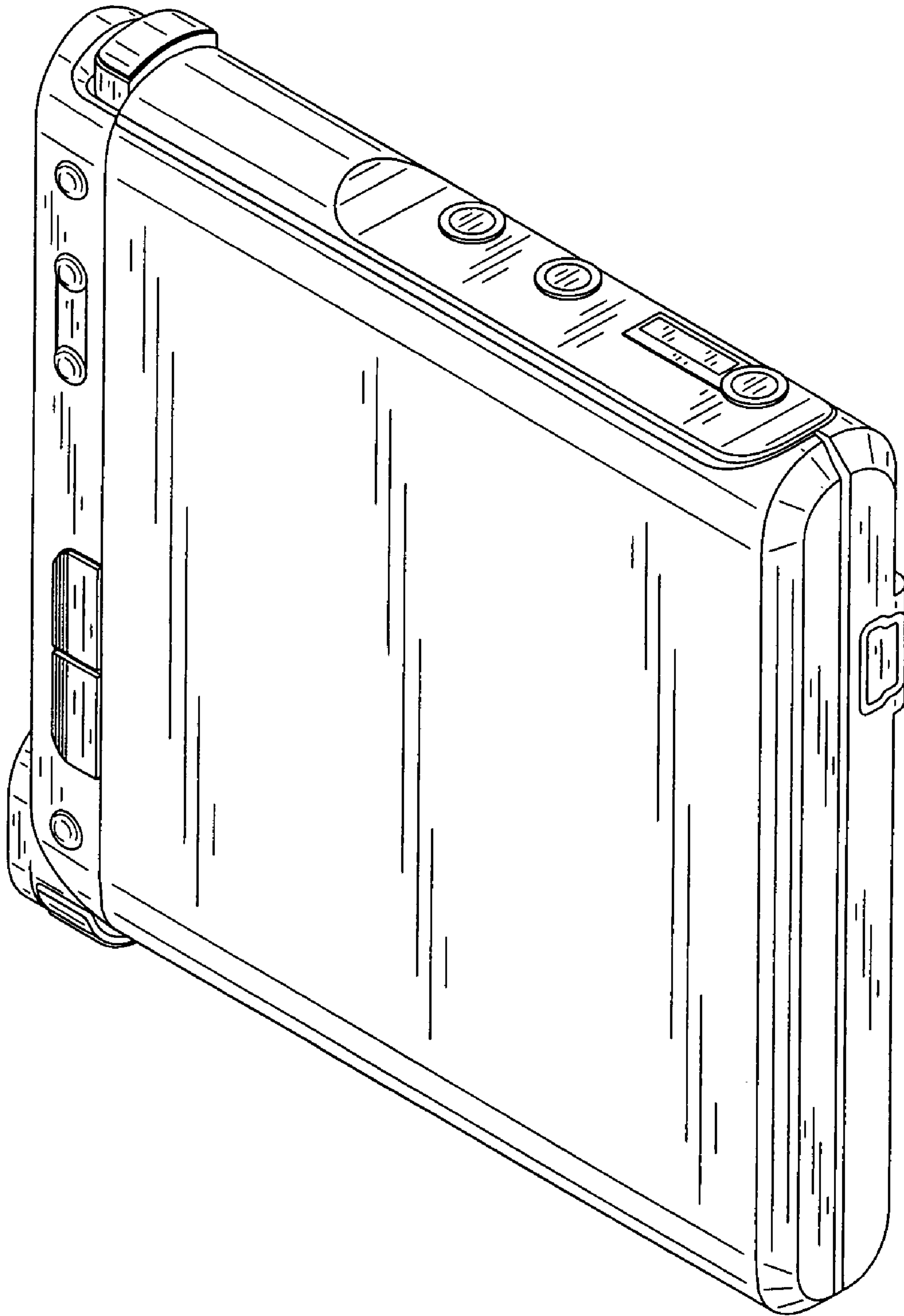


Fig.2

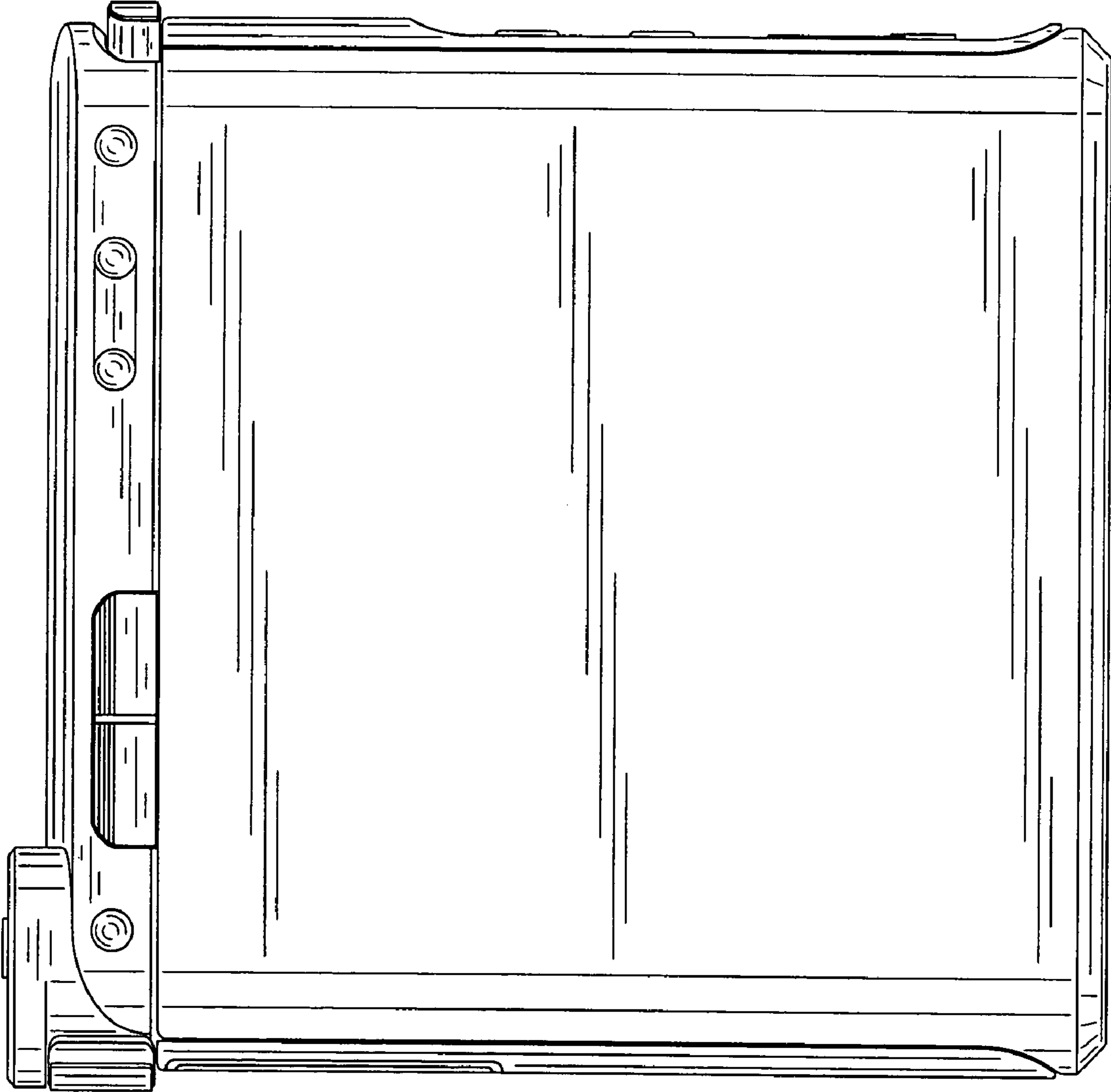


Fig.3

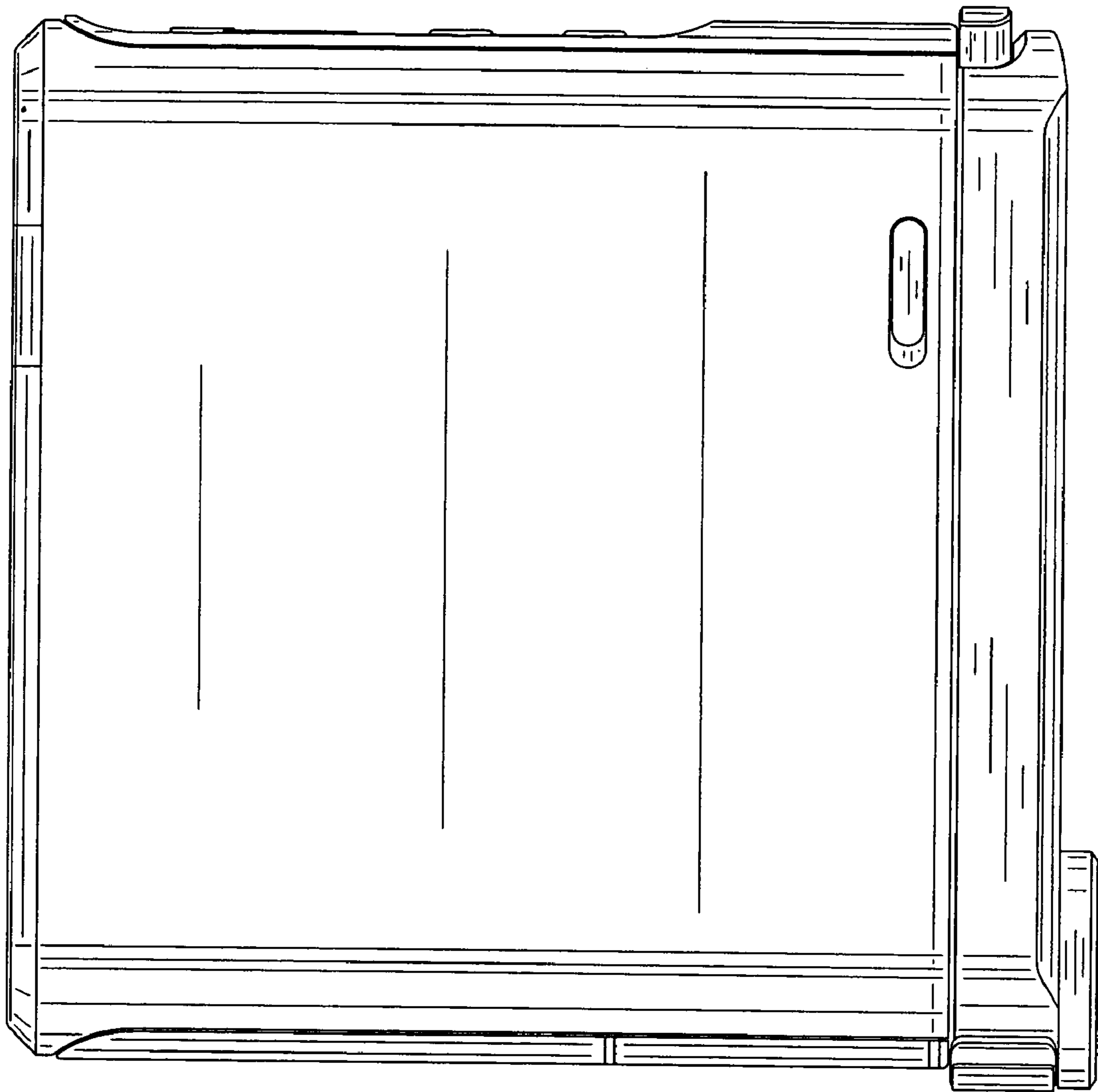


Fig.4

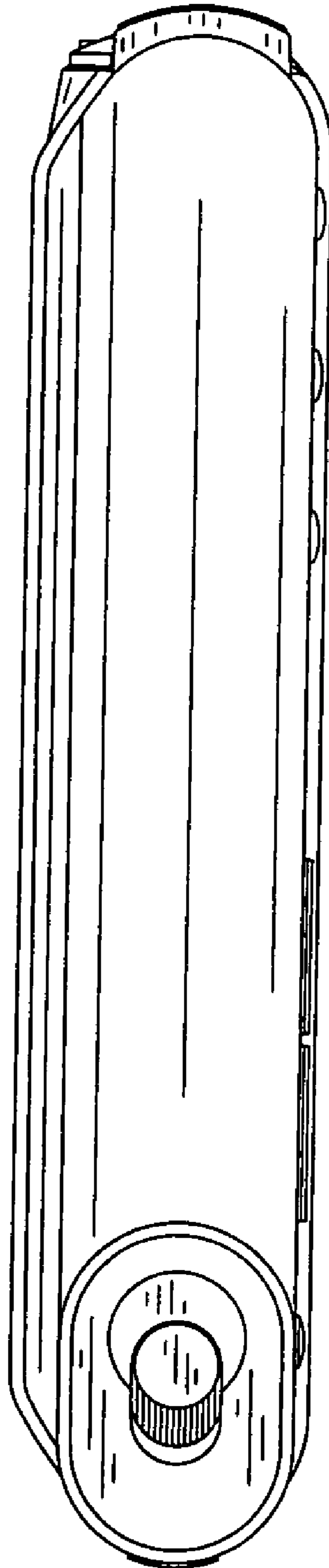


Fig.5

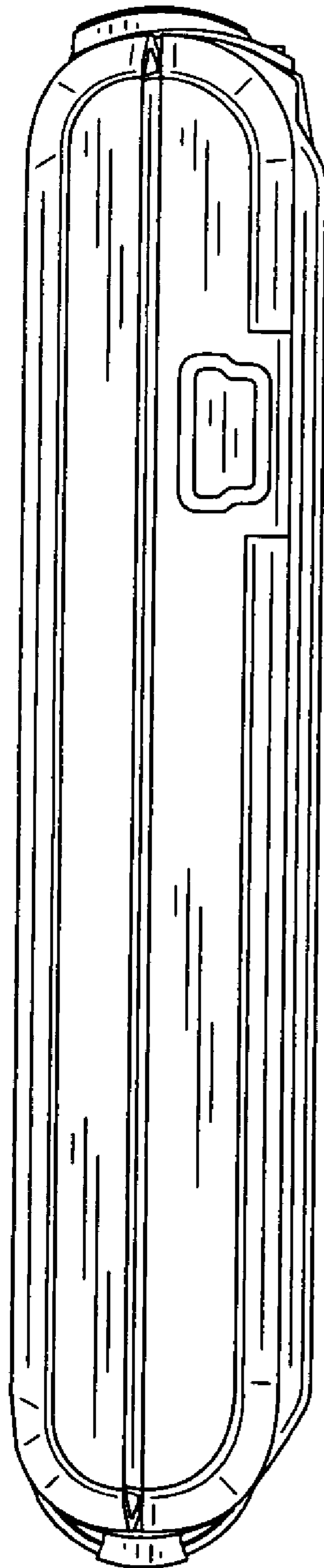


Fig.6

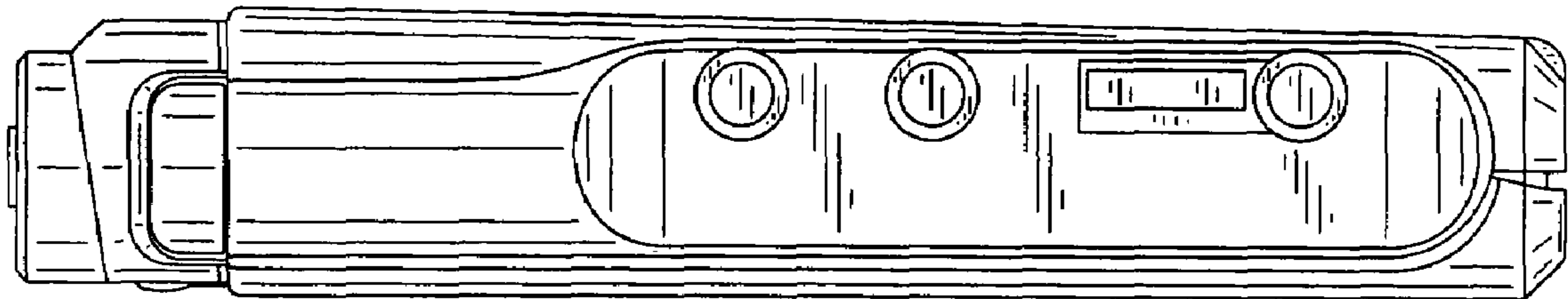


Fig.7

