



US00D554600S

(12) **United States Design Patent**  
**Gwordz**

(10) **Patent No.:** **US D554,600 S**

(45) **Date of Patent:** **\*\* Nov. 6, 2007**

(54) **SATELLITE RECEIVER**

(75) Inventor: **Joanna Gwordz**, Dortmund (DE)

(73) Assignees: **Tim Ziemann** (DE); **Jurgen Leuering** (DE)

(\*\*) Term: **14 Years**

(21) Appl. No.: **29/269,251**

(22) Filed: **Nov. 24, 2006**

(30) **Foreign Application Priority Data**

May 24, 2006 (EP) ..... 535067-0001  
May 24, 2006 (EP) ..... 535067-0002

(51) **LOC (8) Cl.** ..... **14-03**

(52) **U.S. Cl.** ..... **D14/126**

(58) **Field of Classification Search** ..... D14/125-134,  
D14/239, 371, 374-376, 135, 136, 492, 299,  
D14/356, 361-363, 365, 496; 312/7.2, 208.1-223.2;  
348/836, 180, 184, 325, 739, 10, 460; 341/12;  
248/917-924; 345/104, 133, 156, 168, 87;  
361/690-696

See application file for complete search history.

(56) **References Cited**

**U.S. PATENT DOCUMENTS**

D416,264 S \* 11/1999 Althans et al. .... D14/257  
D422,993 S \* 4/2000 Storti et al. .... D14/432  
D434,737 S \* 12/2000 Jensen et al. .... D14/125  
D441,731 S \* 5/2001 Arhos et al. .... D14/125

D445,097 S \* 7/2001 Jensen et al. .... D14/125  
D446,779 S \* 8/2001 Jensen et al. .... D14/125  
D471,193 S \* 3/2003 Chen et al. .... D14/348  
D521,000 S \* 5/2006 Sanefuji ..... D14/356  
D529,879 S \* 10/2006 Park et al. .... D14/125

\* cited by examiner

*Primary Examiner*—Raphael Barkai

*Assistant Examiner*—Randall H Gholson

(74) *Attorney, Agent, or Firm*—Harness, Dickey & Pierce, P.L.C.

(57) **CLAIM**

The ornamental design for a satellite receiver, as shown and described.

**DESCRIPTION**

FIG. 1 is a front view of a satellite receiver embodying the new design;

FIG. 2 is a perspective view thereof, taken from the front and right side;

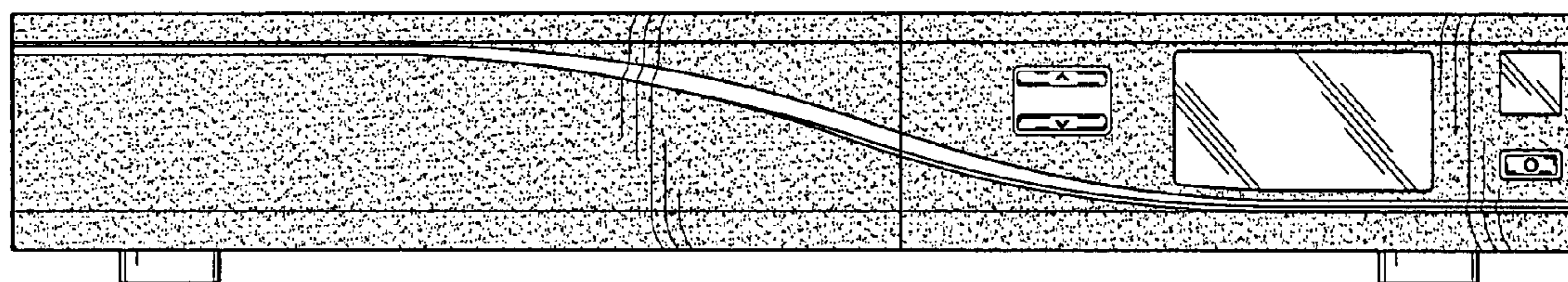
FIG. 3 is a perspective view thereof, taken from the front and left side.

FIG. 4 is a front view of a modified embodiment of the design shown in FIGS. 1-3;

FIG. 5 is a perspective view thereof, taken from the front and right side; and,

FIG. 6 is a perspective view thereof, taken from the front and left side.

**1 Claim, 2 Drawing Sheets**



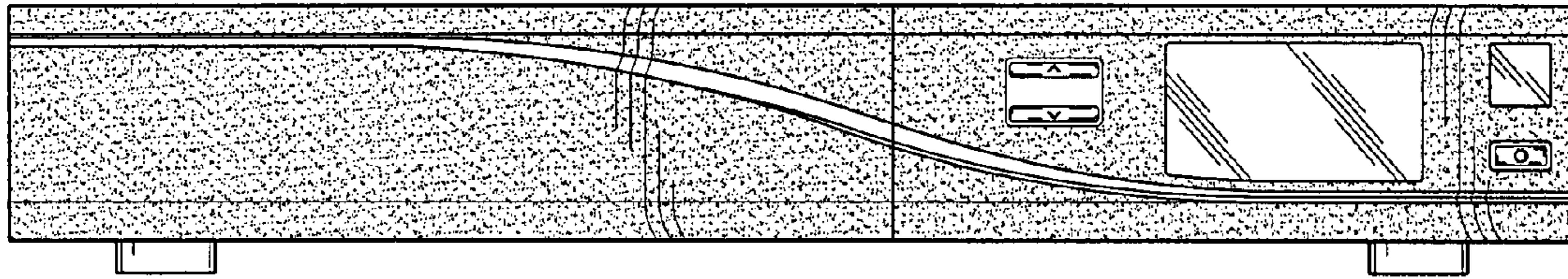


Fig-1

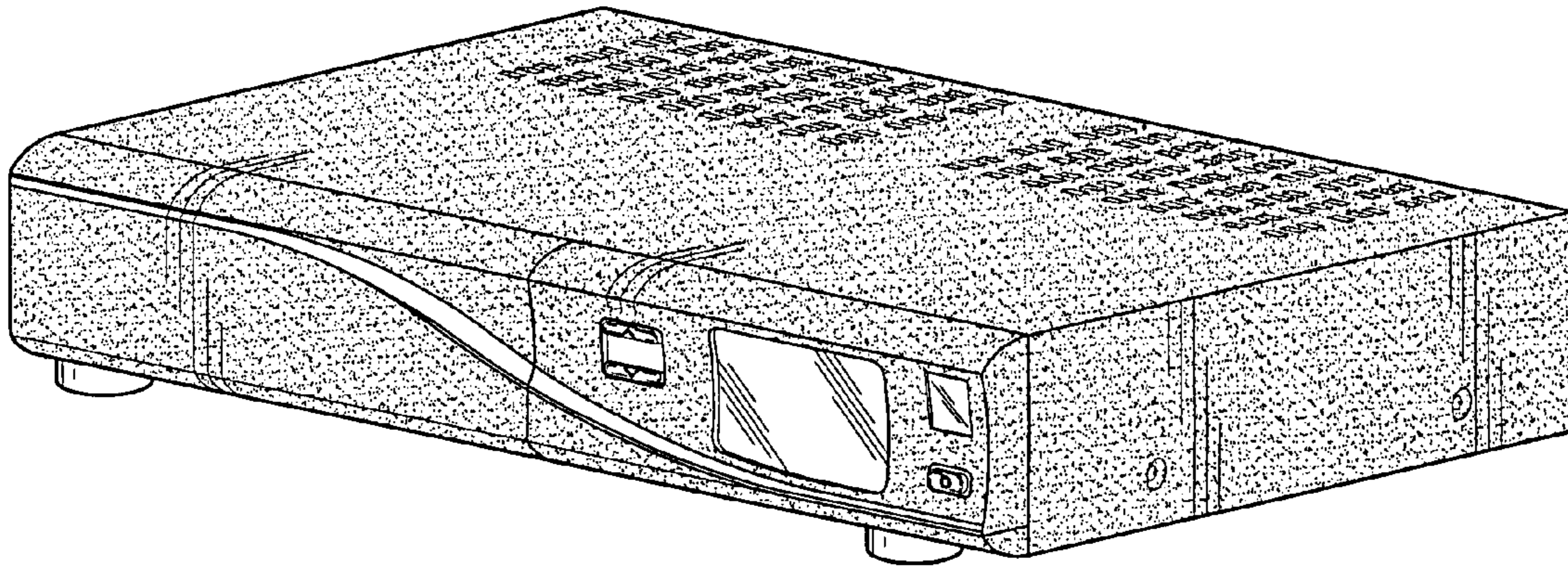


Fig-2

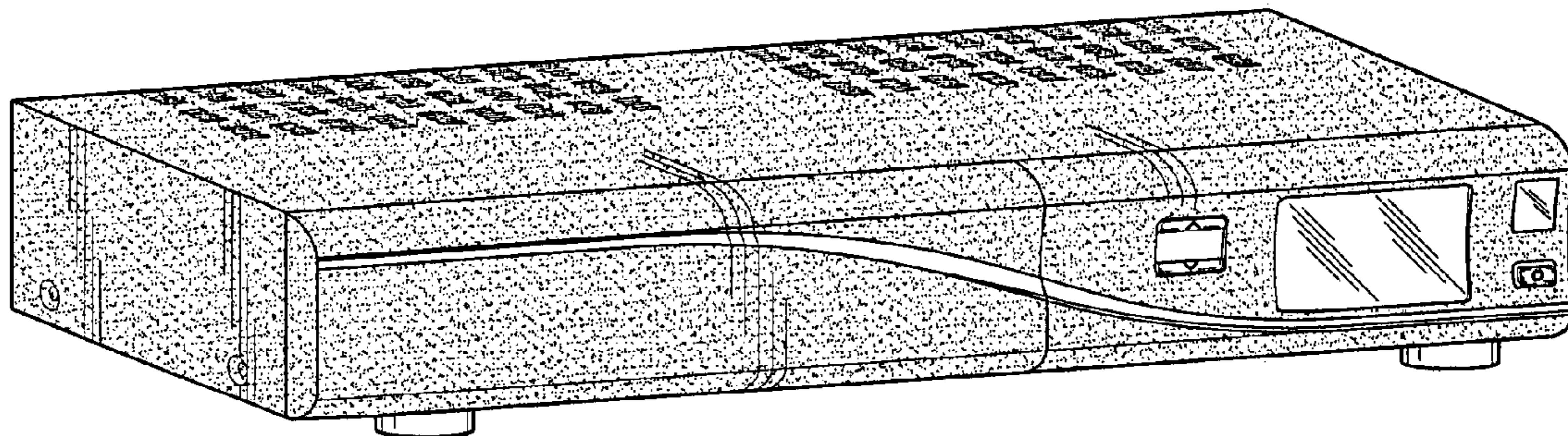


Fig-3

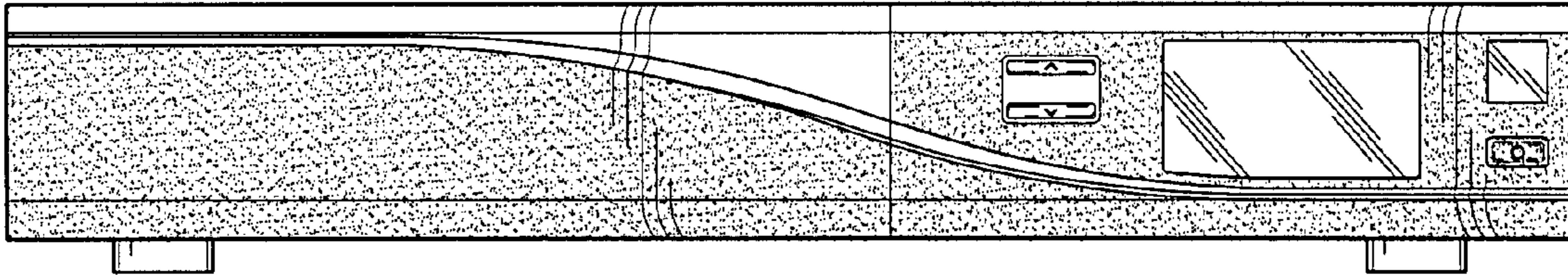


Fig-4

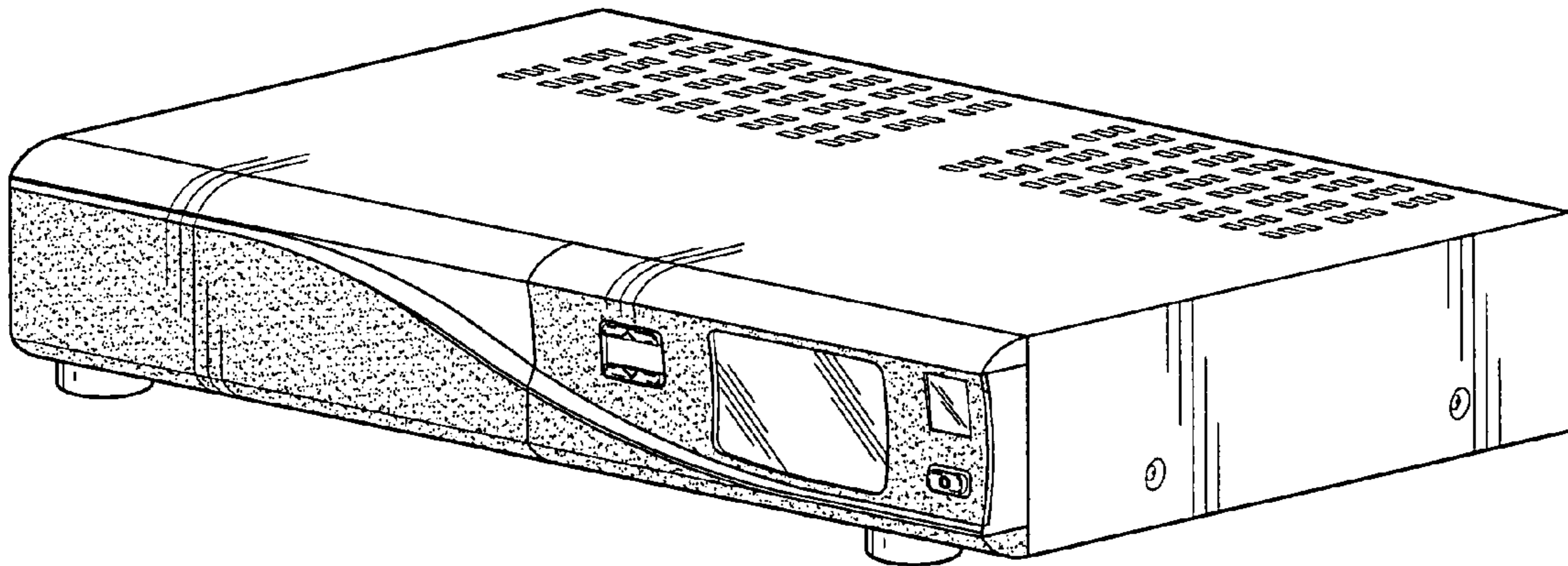


Fig-5

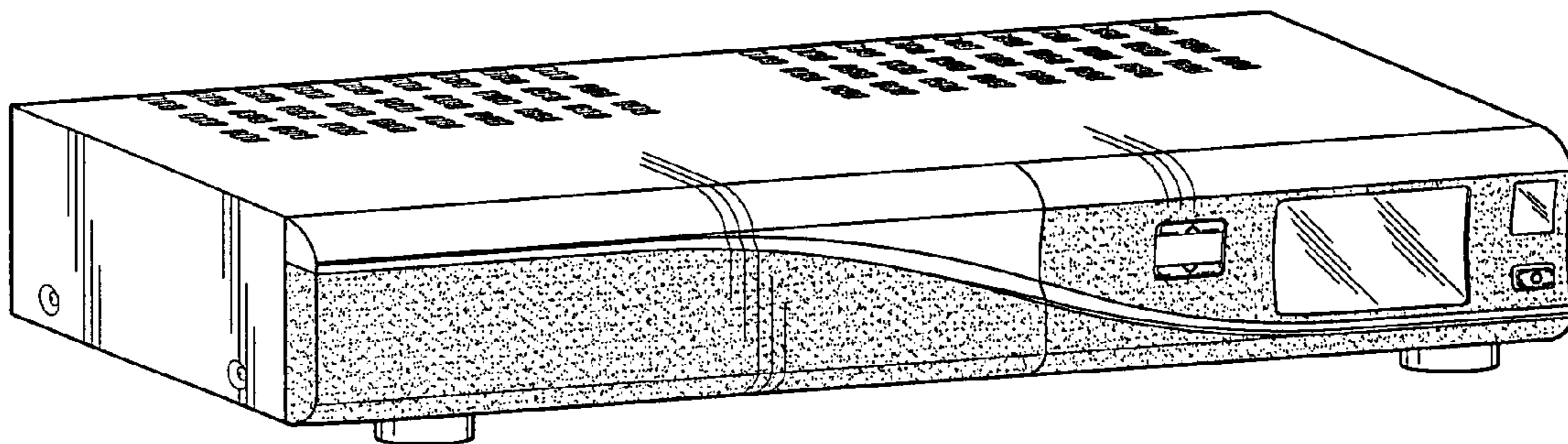


Fig-6