



US00D554598S

(12) **United States Design Patent** (10) **Patent No.:** **US D554,598 S**  
**Laursen et al.** (45) **Date of Patent:** **\*\* Nov. 6, 2007**

(54) **PATCH PANEL**

(75) Inventors: **Erik Laursen**, Kirkland, WA (US);  
**John Redfield**, Brier, WA (US); **George C. Rondeau, Jr.**, Sammamish, WA (US)

(73) Assignee: **Leviton Manufacturing Co., Inc.**, Little Neck, NY (US)

(\*\*) Term: **14 Years**

(21) Appl. No.: **29/276,781**

(22) Filed: **Feb. 5, 2007**

**Related U.S. Application Data**

(62) Division of application No. 29/237,950, filed on Sep. 8, 2005, now Pat. No. Des. 542,240.

(51) **LOC (8) Cl.** ..... **13-03**

(52) **U.S. Cl.** ..... **D13/184**

(58) **Field of Classification Search** ..... D13/154,  
D13/181; 174/101; 385/135; 439/534,  
439/540.1

See application file for complete search history.

(56) **References Cited**

**U.S. PATENT DOCUMENTS**

- 5,127,082 A 6/1992 Below et al.
- 5,167,530 A 12/1992 Wallgren et al.
- D411,515 S 6/1999 Tulley
- 6,273,752 B1 8/2001 Martin et al.
- 6,537,106 B1 3/2003 Follingstad
- 6,761,583 B2 7/2004 Ortowski et al.
- 6,866,541 B2 3/2005 Barker et al.

- 6,916,199 B2 7/2005 Follingstad
- 6,918,786 B2 7/2005 Barker et al.
- 6,971,909 B2 12/2005 Levesque et al.
- 6,981,893 B2 1/2006 Barker et al.
- 7,094,095 B1 8/2006 Caveney
- D542,240 S \* 5/2007 Laursen et al. .... D13/184
- 2004/0219829 A1 11/2004 Clark et al.
- 2005/0041947 A1 2/2005 Barker et al.
- 2005/0191901 A1 9/2005 Follingstad
- 2006/0118321 A1 6/2006 Herring et al.
- 2006/0194470 A1 8/2006 Caveney
- 2006/0194471 A1 8/2006 Clark et al.

\* cited by examiner

*Primary Examiner*—Selina Sidker

(74) *Attorney, Agent, or Firm*—George C. Rondeau, Jr.; Davis Wright Tremaine LLP

(57) **CLAIM**

The ornamental design for a patch panel, as shown and described.

**DESCRIPTION**

FIG. 1 is a front perspective view of a of the patch panel.

FIG. 2 is a front elevational view thereof.

FIG. 3 is a rear elevational view thereof.

FIG. 4 is a top plan view thereof.

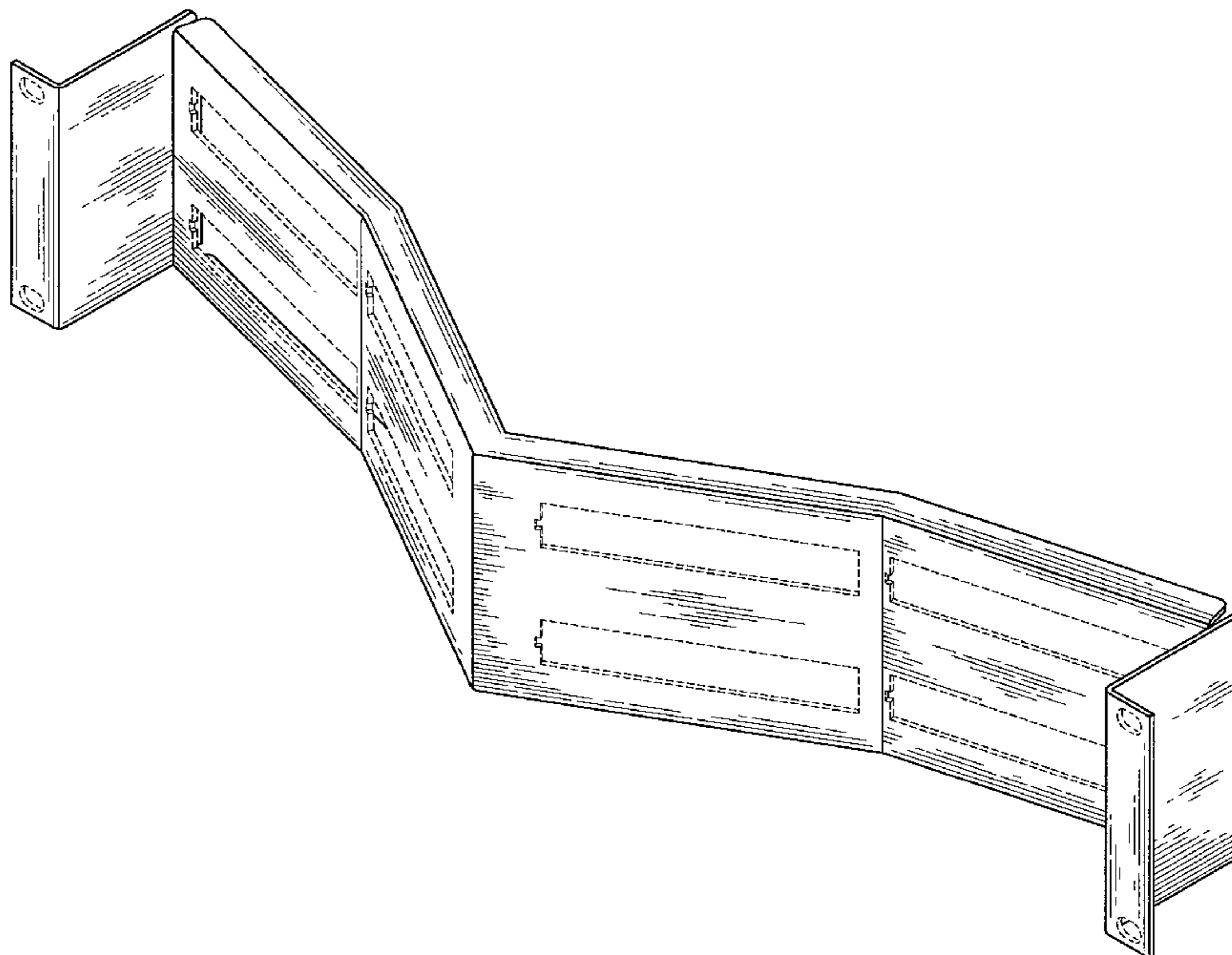
FIG. 5 is a bottom plan view thereof.

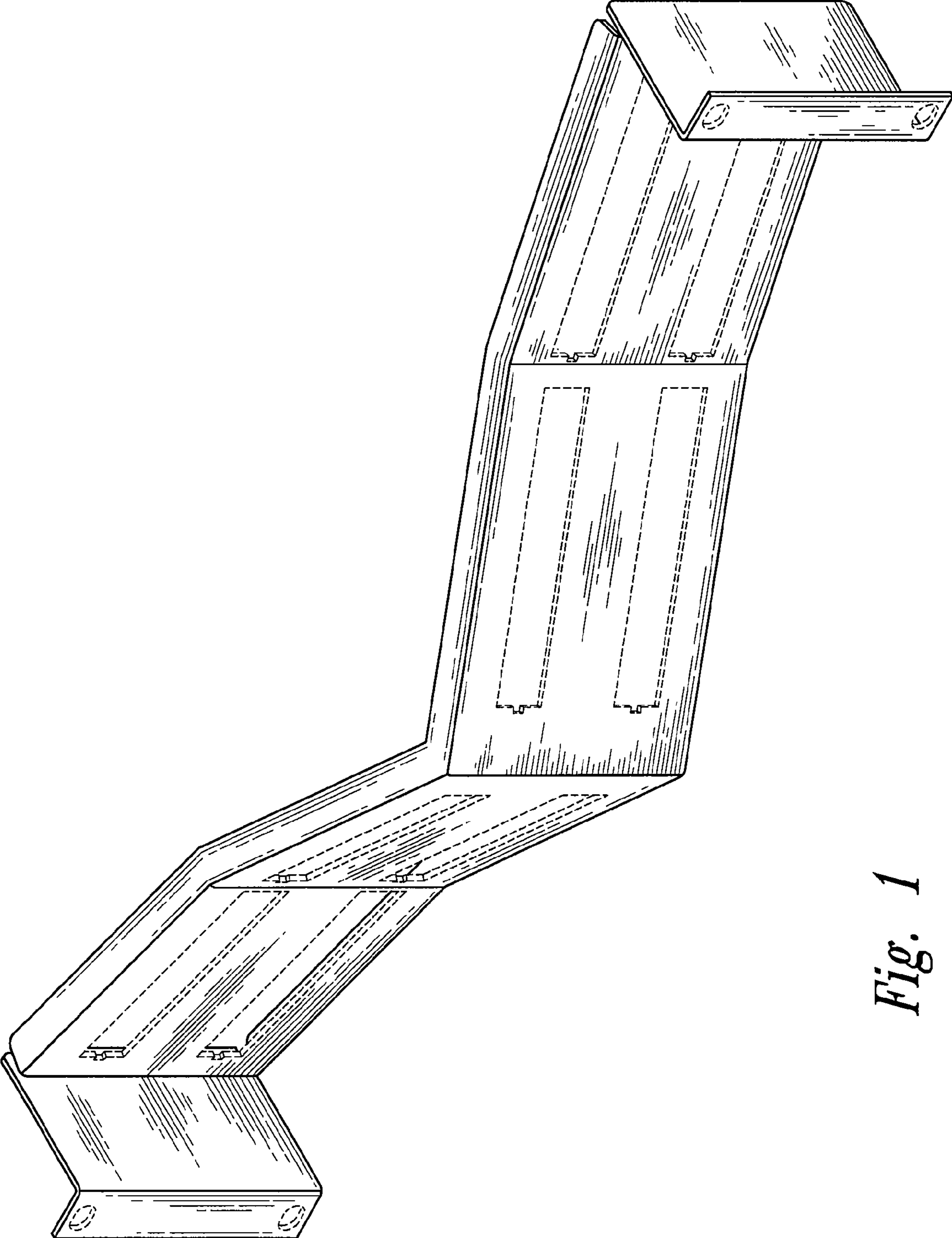
FIG. 6 is a left side elevational view thereof; and,

FIG. 7 is a right side elevational view thereof.

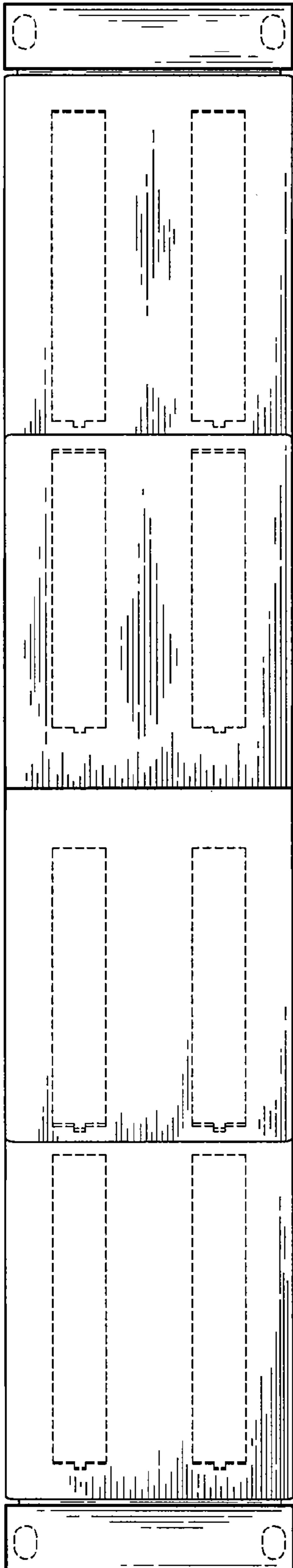
The broken lines are for illustrative purposes only and form no part of the claimed design.

**1 Claim, 4 Drawing Sheets**

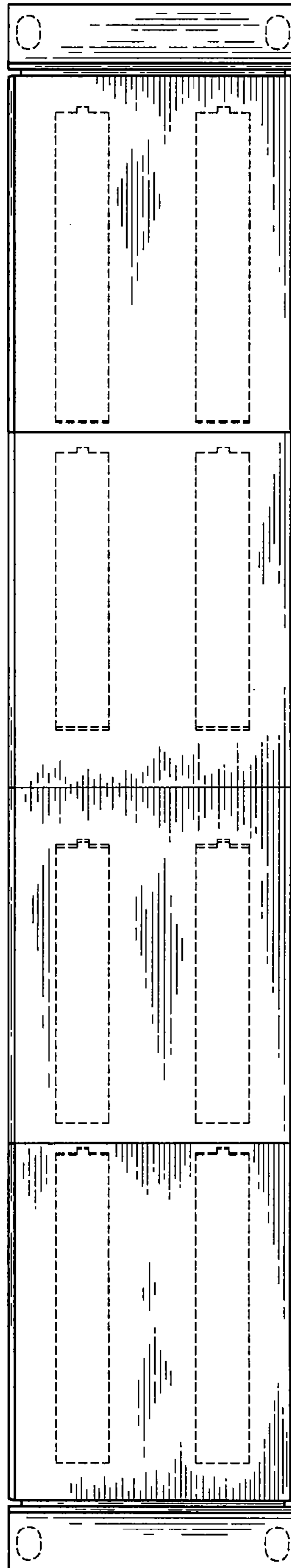




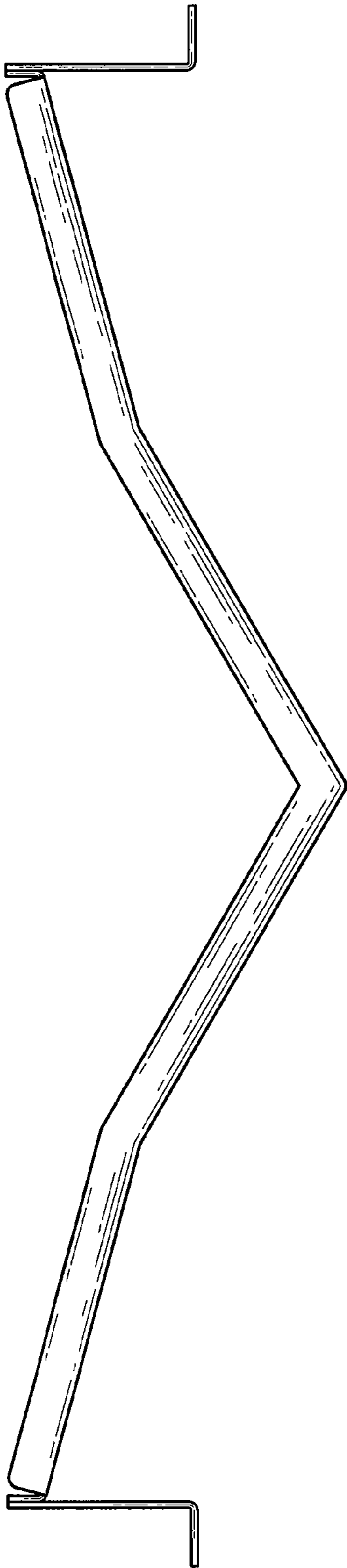
*Fig. 1*



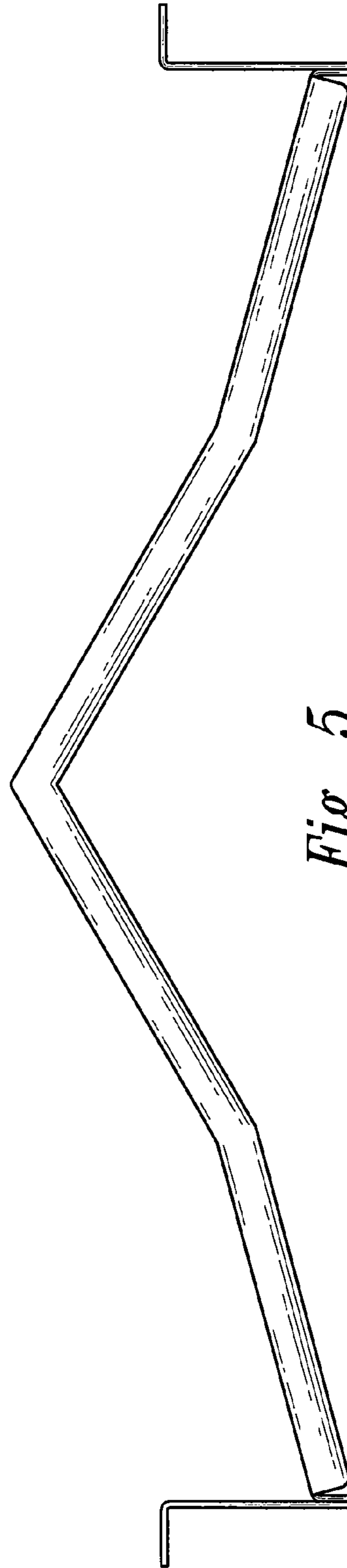
*Fig. 2*



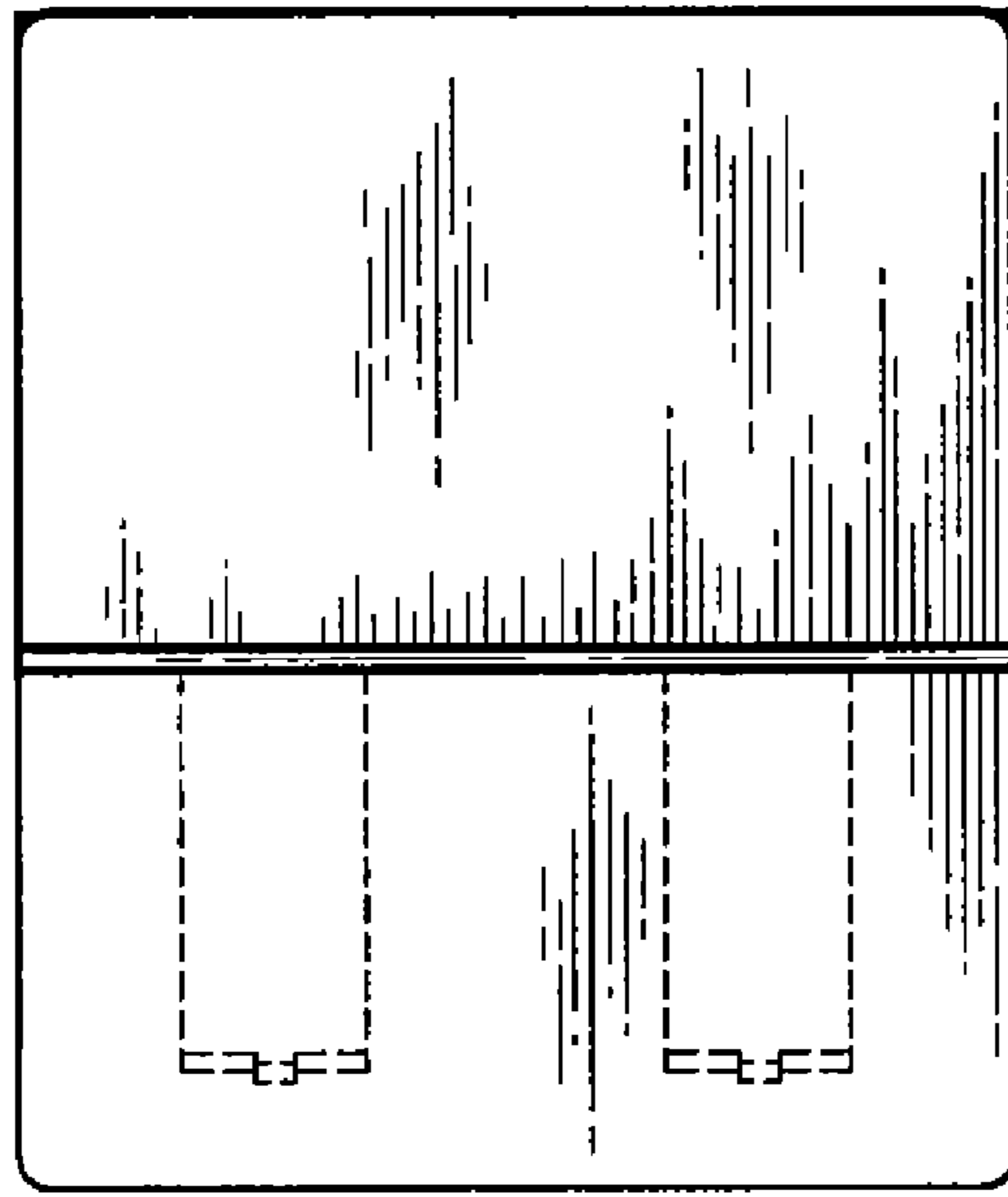
*Fig. 3*



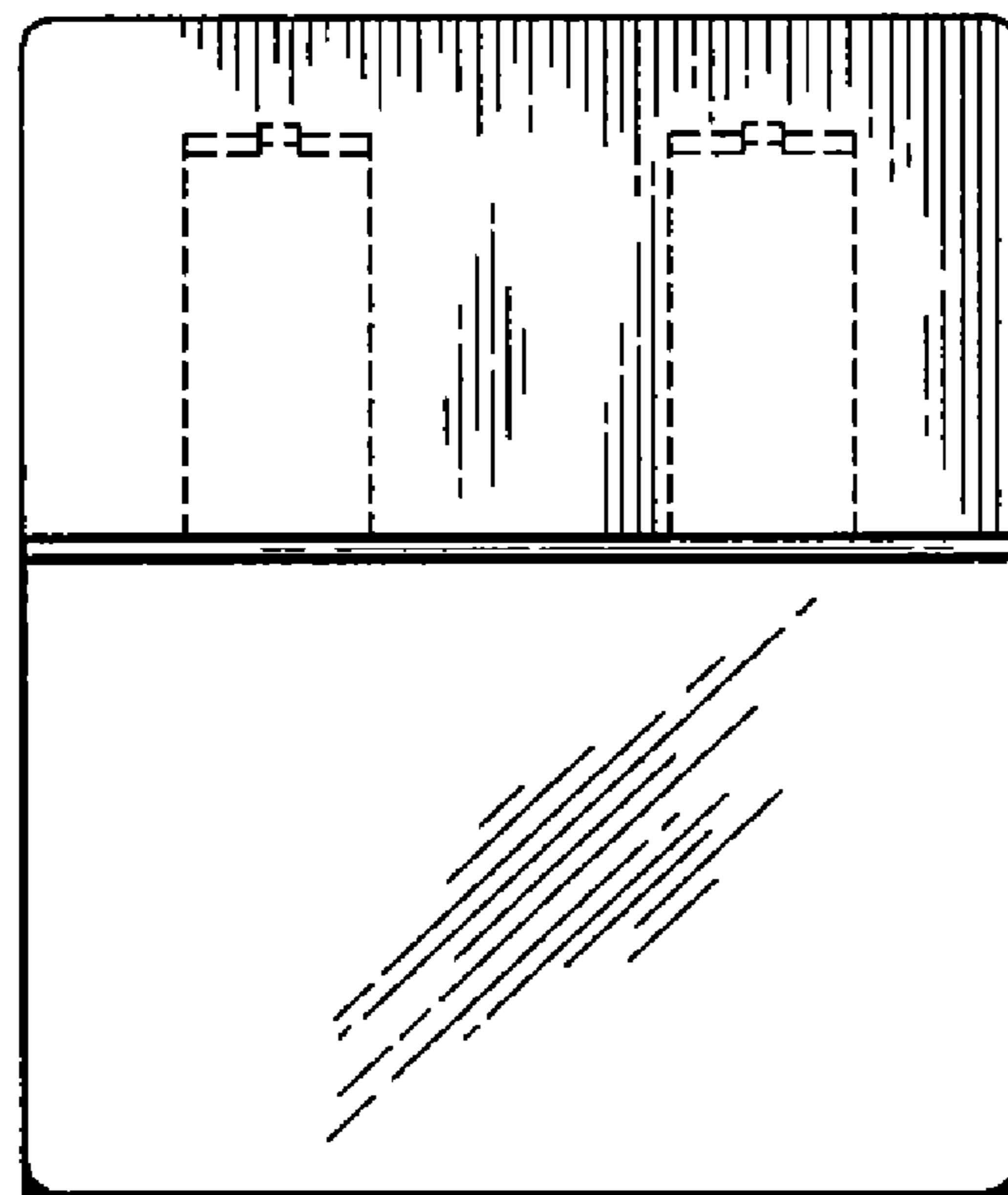
*Fig. 4*



*Fig. 5*



*Fig. 7*



*Fig. 6*