



US00D554597S

(12) **United States Design Patent**
Seo et al.

(10) **Patent No.:** **US D554,597 S**
(45) **Date of Patent:** **** Nov. 6, 2007**

(54) **RADIATOR FOR ELECTRONIC PARTS**

(75) Inventors: **Min Whan Seo**, Seongnam (KR);
Kyoung Mo Min, Namyangju (KR);
Sang Jun Jung, Seoul (KR)

(73) Assignee: **Zalman Tech Co., Ltd.** (KR)

(**) Term: **14 Years**

(21) Appl. No.: **29/261,501**

(22) Filed: **Jun. 15, 2006**

(30) **Foreign Application Priority Data**

Mar. 7, 2006 (KR) 30-2006-0008350

(51) **LOC (8) Cl.** **13-03**

(52) **U.S. Cl.** **D13/179**

(58) **Field of Classification Search** D13/179;
165/80.3, 104.33, 151, 122, 185; 257/706,
257/707, 718-722; 361/687, 695, 697, 700,
361/702, 704, 709, 710, 711, 719

See application file for complete search history.

(56) **References Cited**

U.S. PATENT DOCUMENTS

D426,196 S * 6/2000 Lee D13/179

D426,814 S * 6/2000 Lee D13/179
D458,232 S * 6/2002 Lee D13/179
6,883,592 B2 * 4/2005 Lee 165/80.3
2001/0010264 A1 * 8/2001 Kuo 165/185

* cited by examiner

Primary Examiner—Selina Sikder

(74) *Attorney, Agent, or Firm*—Tuchman & Park LLC

(57) **CLAIM**

The ornamental design for radiator for electronic parts, as shown and described.

DESCRIPTION

FIG. 1 is a perspective view of a radiator for electronic parts in accordance with the new design;

FIG. 2 is a front elevational view thereof, the rear elevational view being a mirror image thereof;

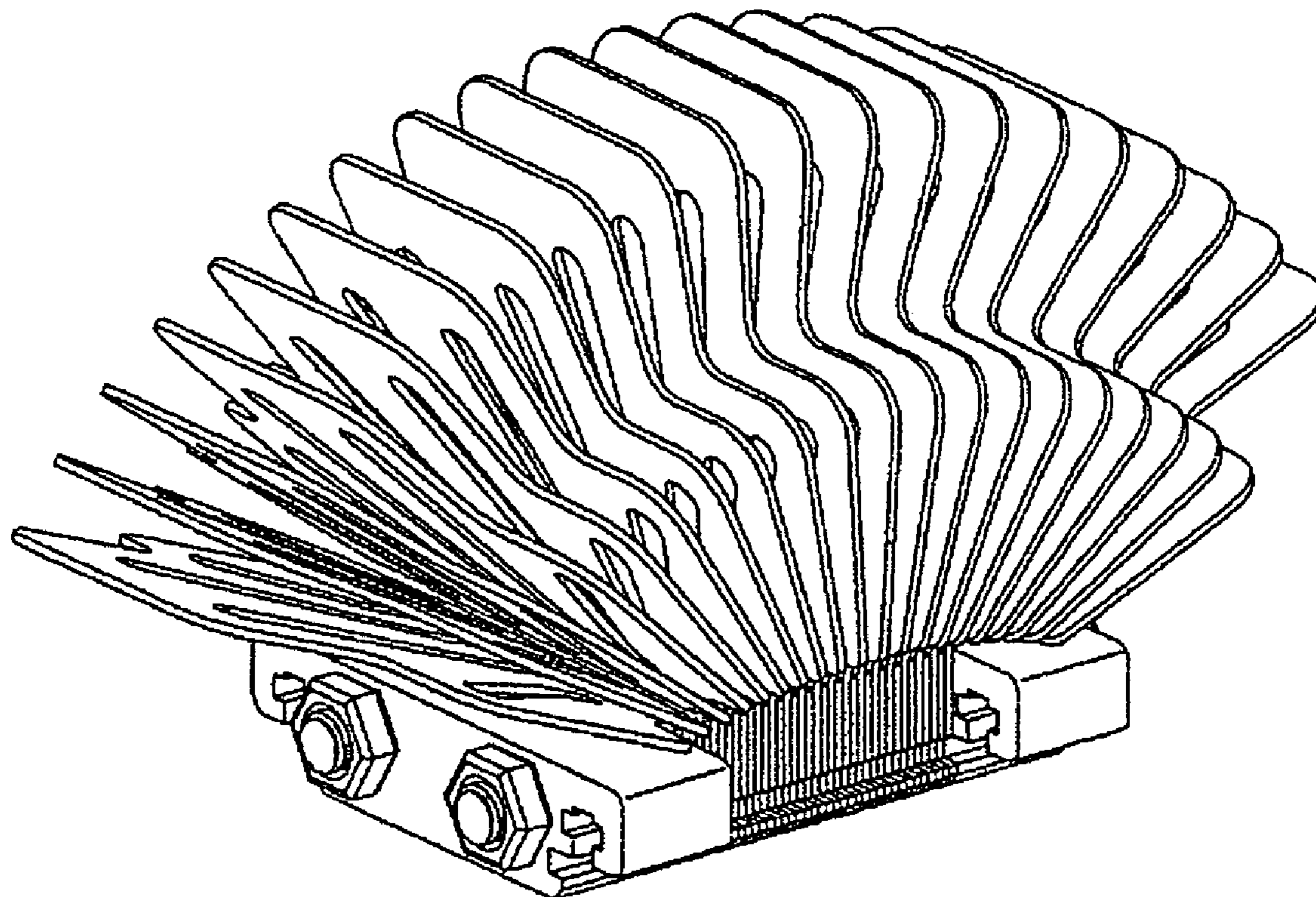
FIG. 3 is a left side elevational view thereof;

FIG. 4 is a right side elevational view thereof;

FIG. 5 is a top plan view thereof; and,

FIG. 6 is a bottom plan view thereof.

1 Claim, 4 Drawing Sheets



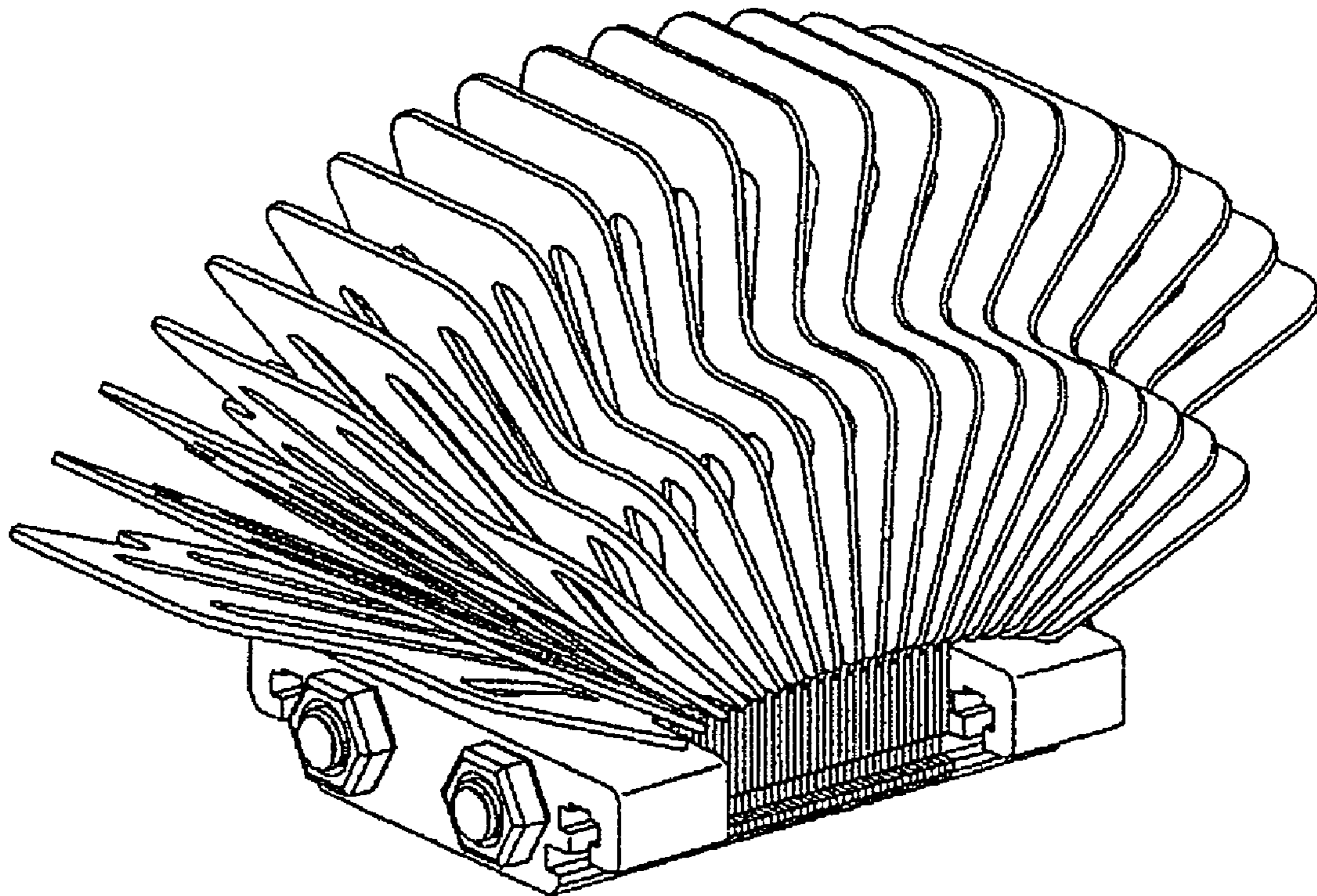


FIG. 1

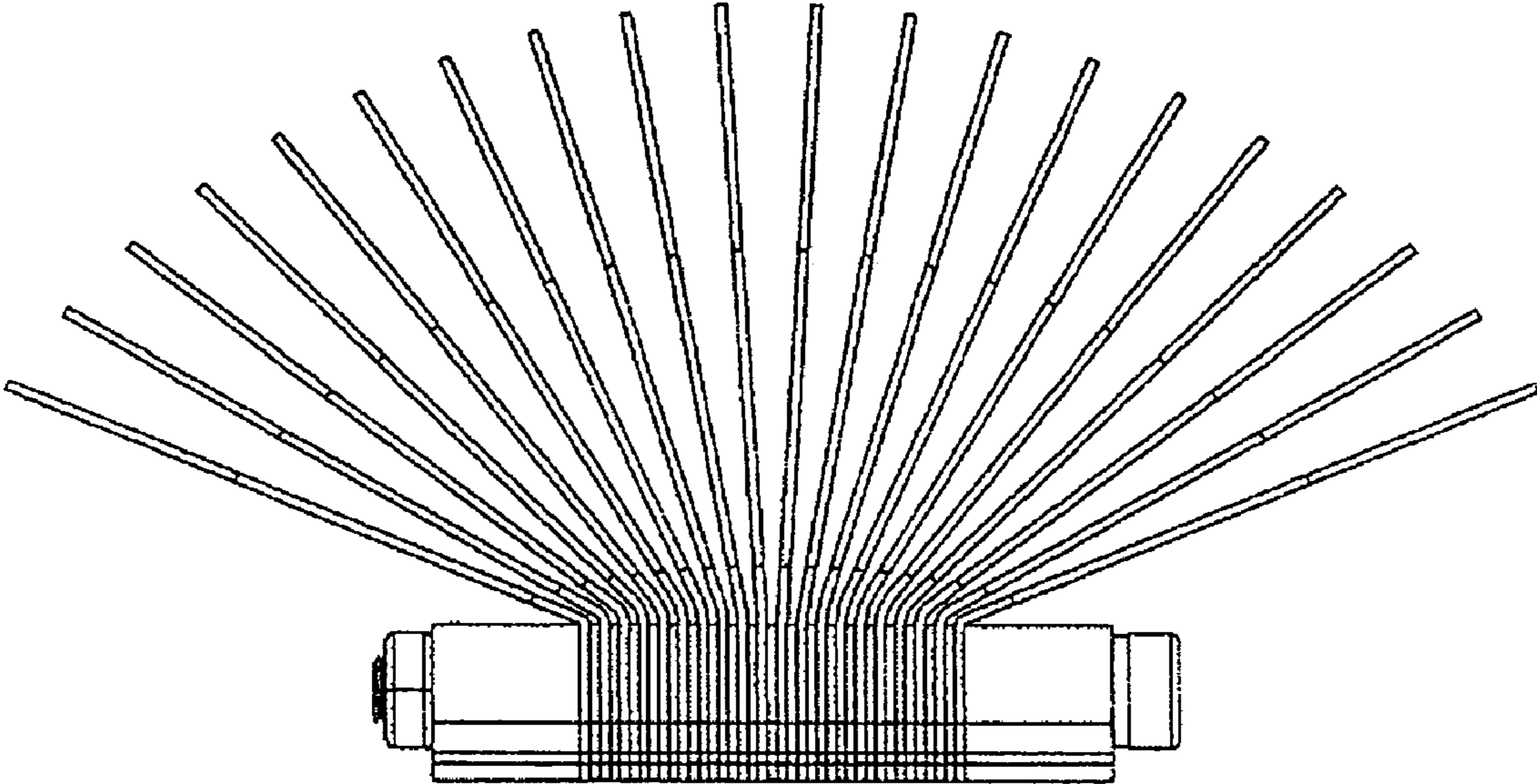


FIG. 2

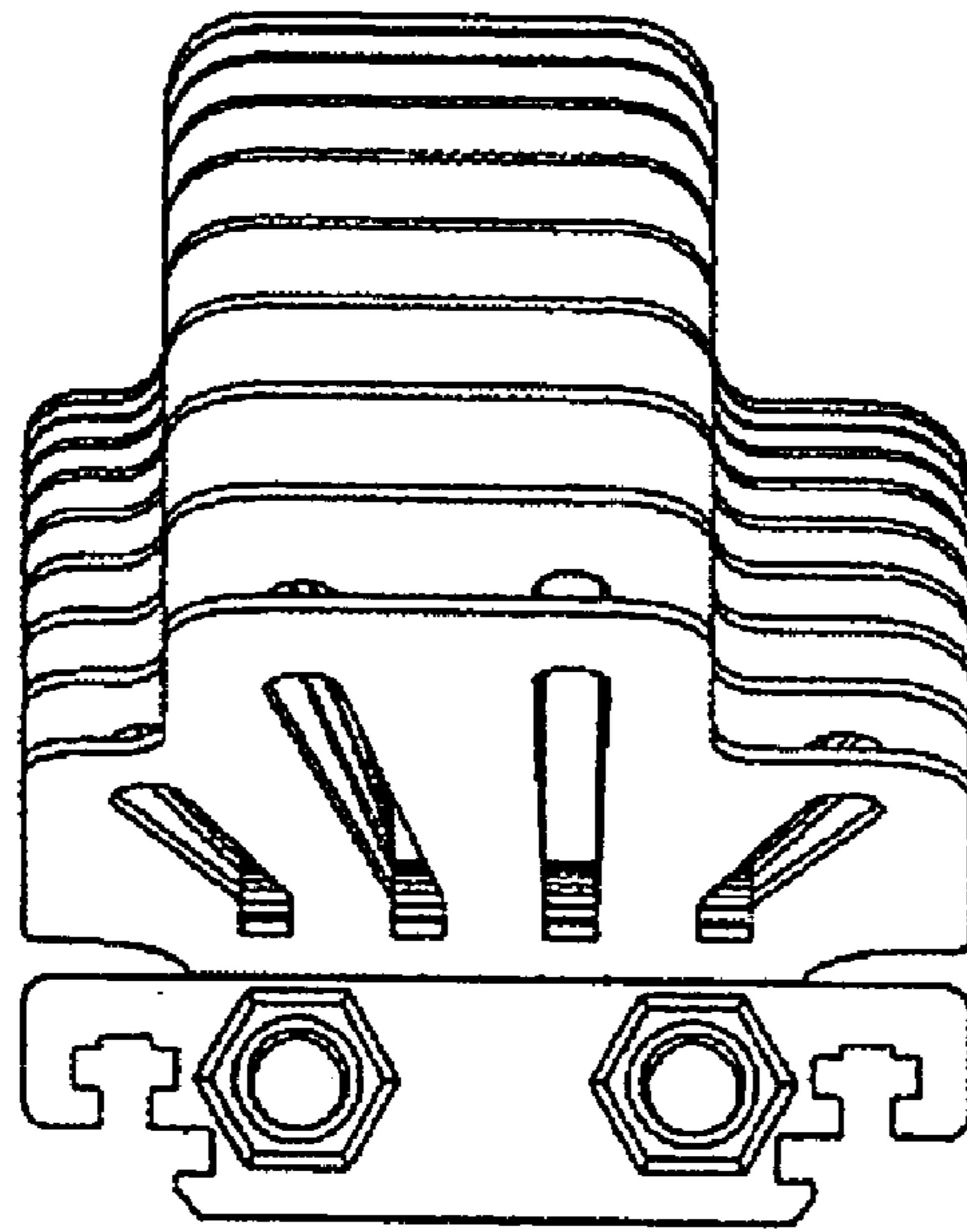


FIG. 3

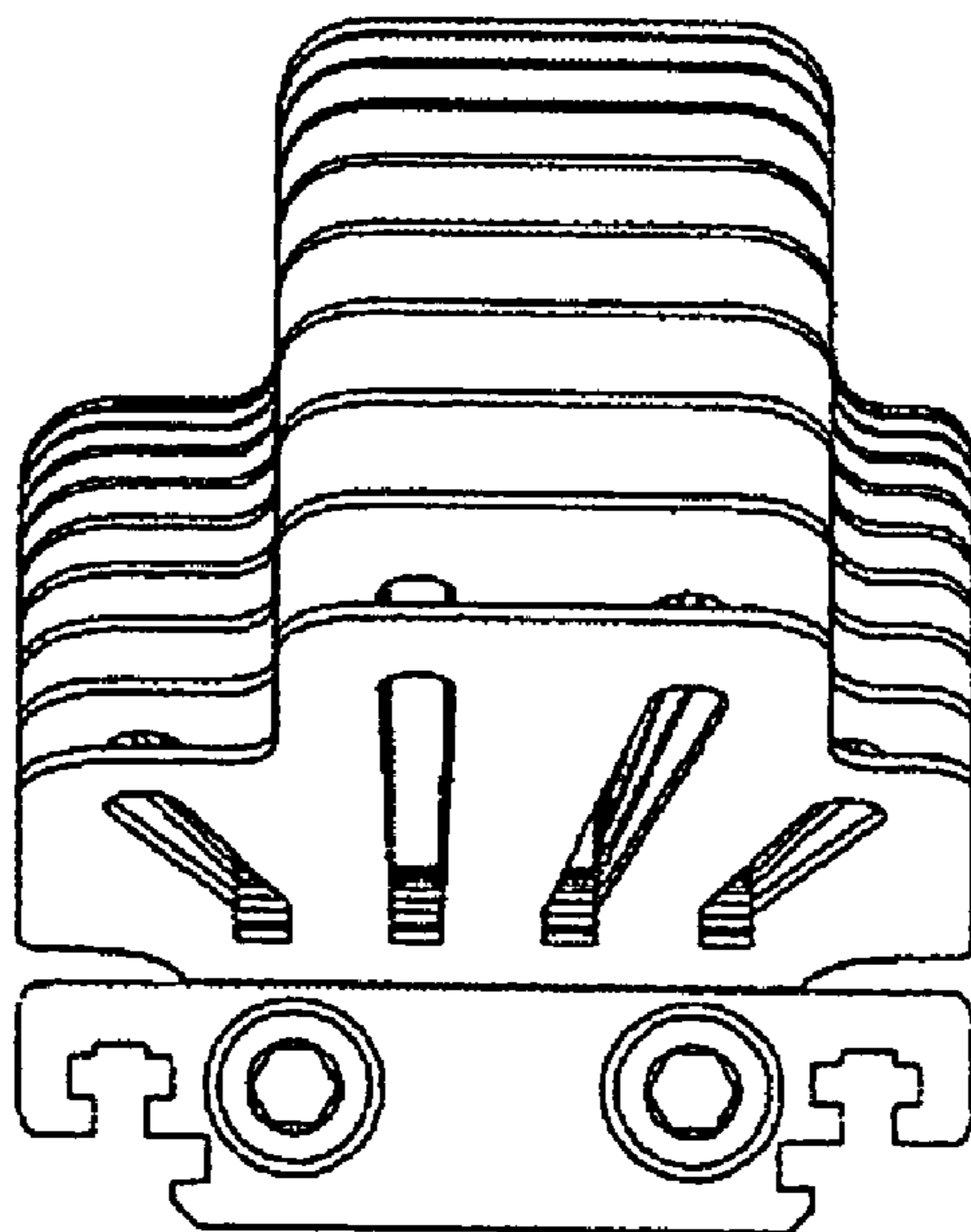


FIG. 4

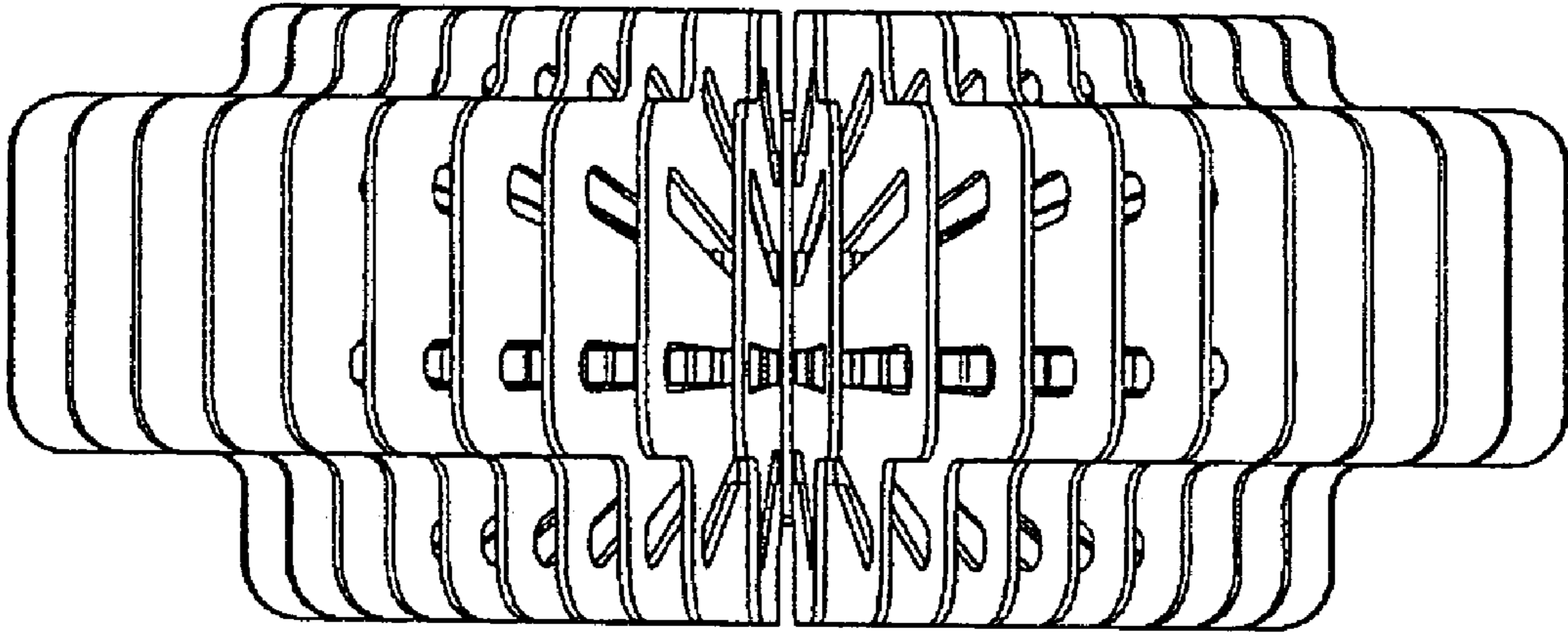


FIG. 5

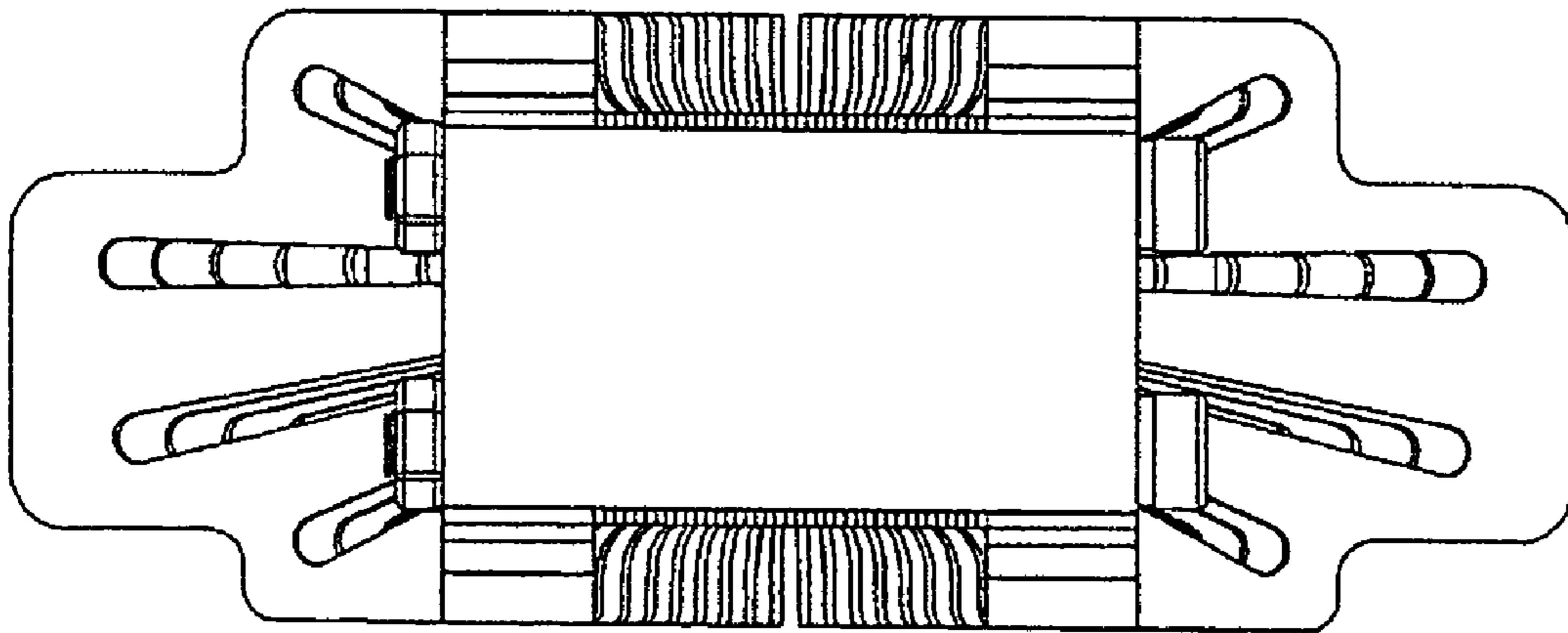


FIG. 6