



US00D554596S

(12) **United States Design Patent** (10) **Patent No.:** **US D554,596 S**
Iekura (45) **Date of Patent:** **** Nov. 6, 2007**

(54) **REMOTE CONTROL BOX FOR SHIPS**

(57) **CLAIM**

(75) Inventor: **Shuji Iekura**, Kyoto-fu (JP)

The ornamental design for a remote control box for ships, as shown and described.

(73) Assignee: **Yamaha Hatsudoki Kabushiki Kaisha**
(JP)

(**) Term: **14 Years**

DESCRIPTION

(21) Appl. No.: **29/258,029**

FIG. 1 is front, right side perspective view of a first embodiment of a remote control box for ships, showing my new design;

(22) Filed: **Apr. 14, 2006**

FIG. 2 is a rear, right side perspective view thereof;

(51) **LOC (8) Cl.** **13-03**

FIG. 3 is a right side view thereof;

(52) **U.S. Cl.** **D13/168**

FIG. 4 is a left side view thereof;

(58) **Field of Classification Search** D13/168;
D12/317; 440/84, 86, 87; 477/98, 113
See application file for complete search history.

FIG. 5 is a front view thereof;

FIG. 6 is a rear view thereof;

(56) **References Cited**

U.S. PATENT DOCUMENTS

FIG. 7 is a top view thereof;

FIG. 8 is a bottom view thereof;

4,090,598 A * 5/1978 Prince 477/113

FIG. 9 is a front, right side perspective view of a second embodiment of a remote control box for ships, showing my new design;

4,119,186 A * 10/1978 Choudhury et al. 477/113

FIG. 10 is a rear, right side perspective view thereof;

4,801,282 A * 1/1989 Ogawa et al. 440/84

FIG. 11 is a right side view thereof;

5,062,516 A * 11/1991 Prince 477/98

FIG. 12 is a left side view thereof;

5,967,867 A * 10/1999 Rinzaki et al. 440/87

FIG. 13 is a front view thereof;

6,280,269 B1 * 8/2001 Gaynor 440/84

FIG. 14 is a rear view thereof;

D497,347 S * 10/2004 Iekura D13/168

FIG. 15 is a top view thereof; and,

D502,148 S * 2/2005 Iekura D13/168

FIG. 16 is a bottom view thereof.

6,971,328 B2 * 12/2005 Zarn 114/364

* cited by examiner

Primary Examiner—Selina Sikder

(74) *Attorney, Agent, or Firm*—Ostrolenk, Faber, Gerb & Soffen, LLP

1 Claim, 8 Drawing Sheets

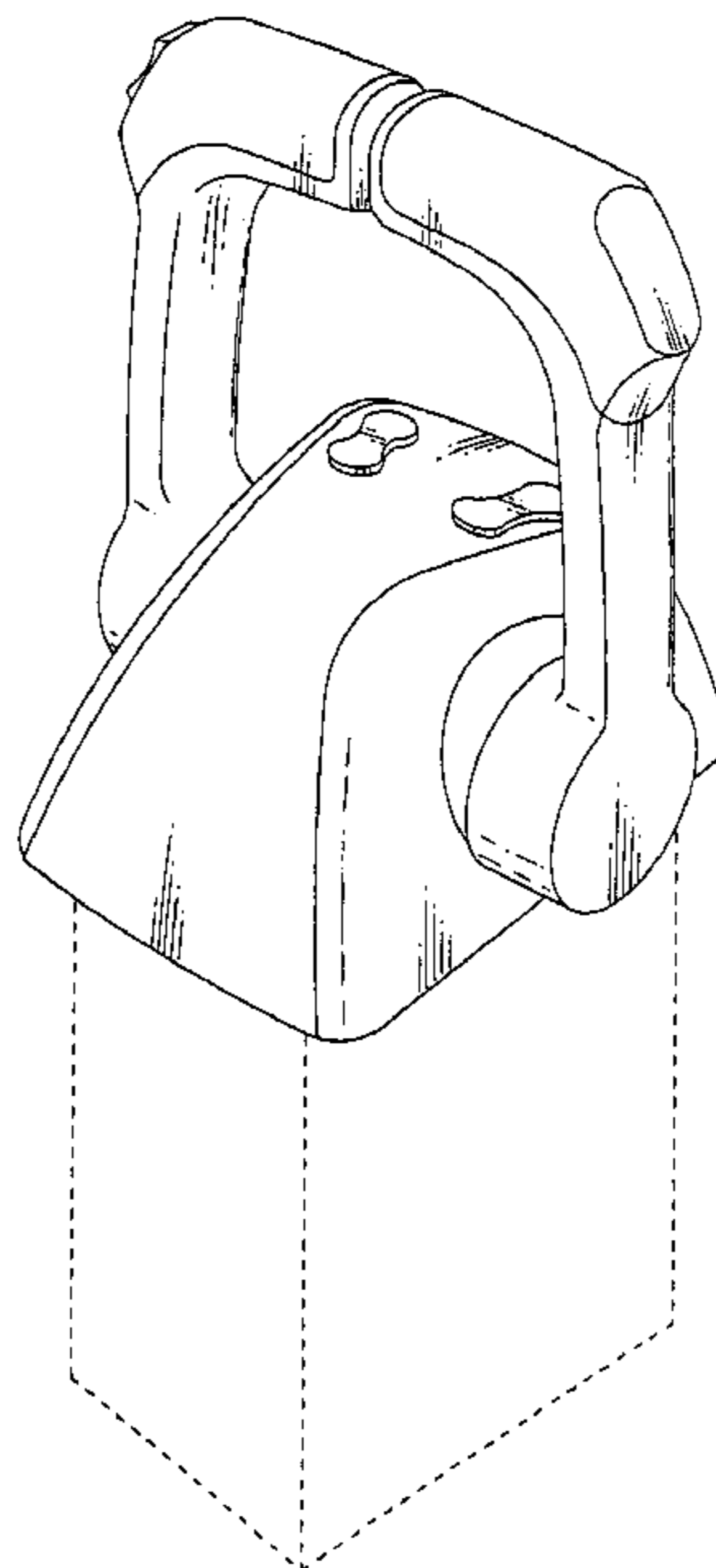


FIG. 2

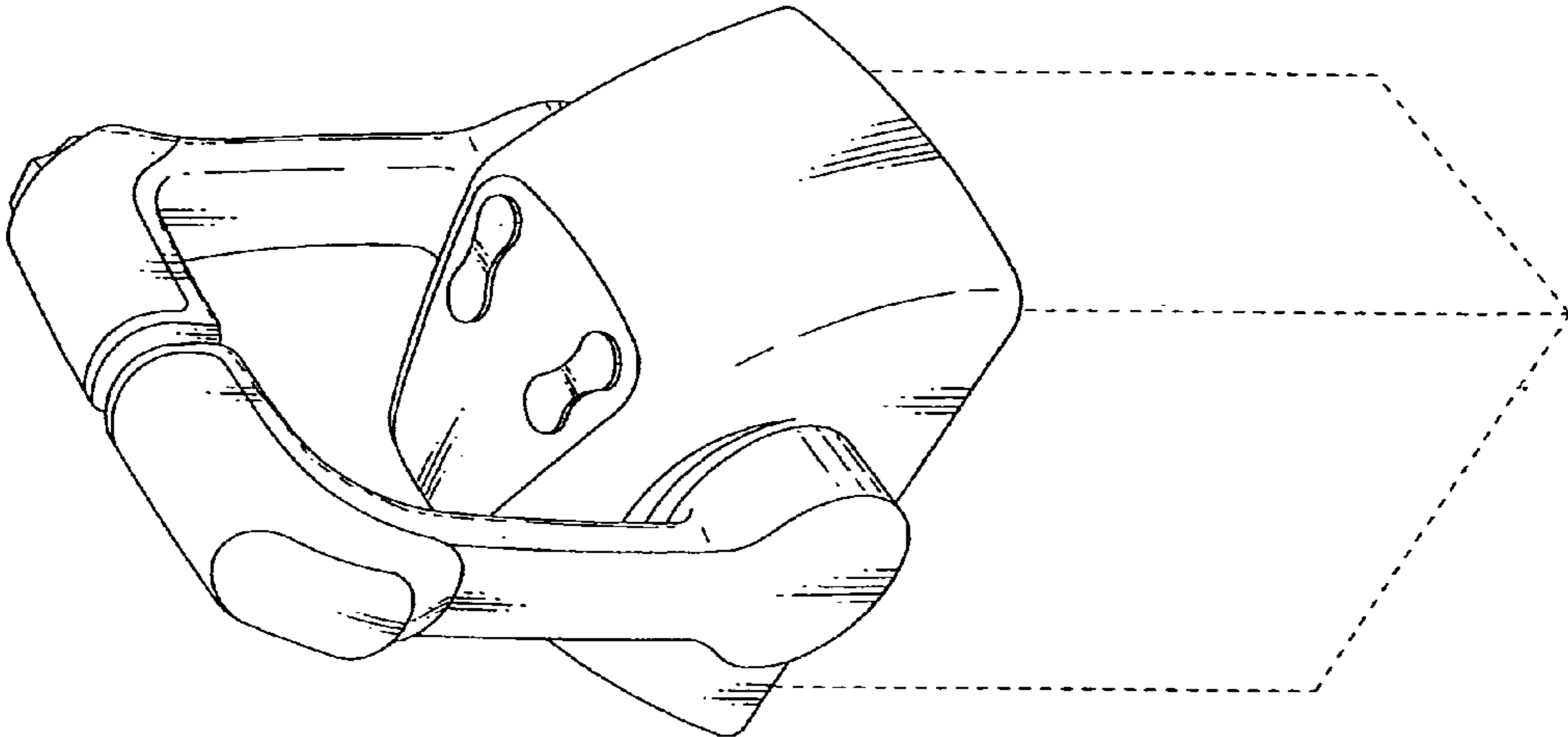


FIG. 1

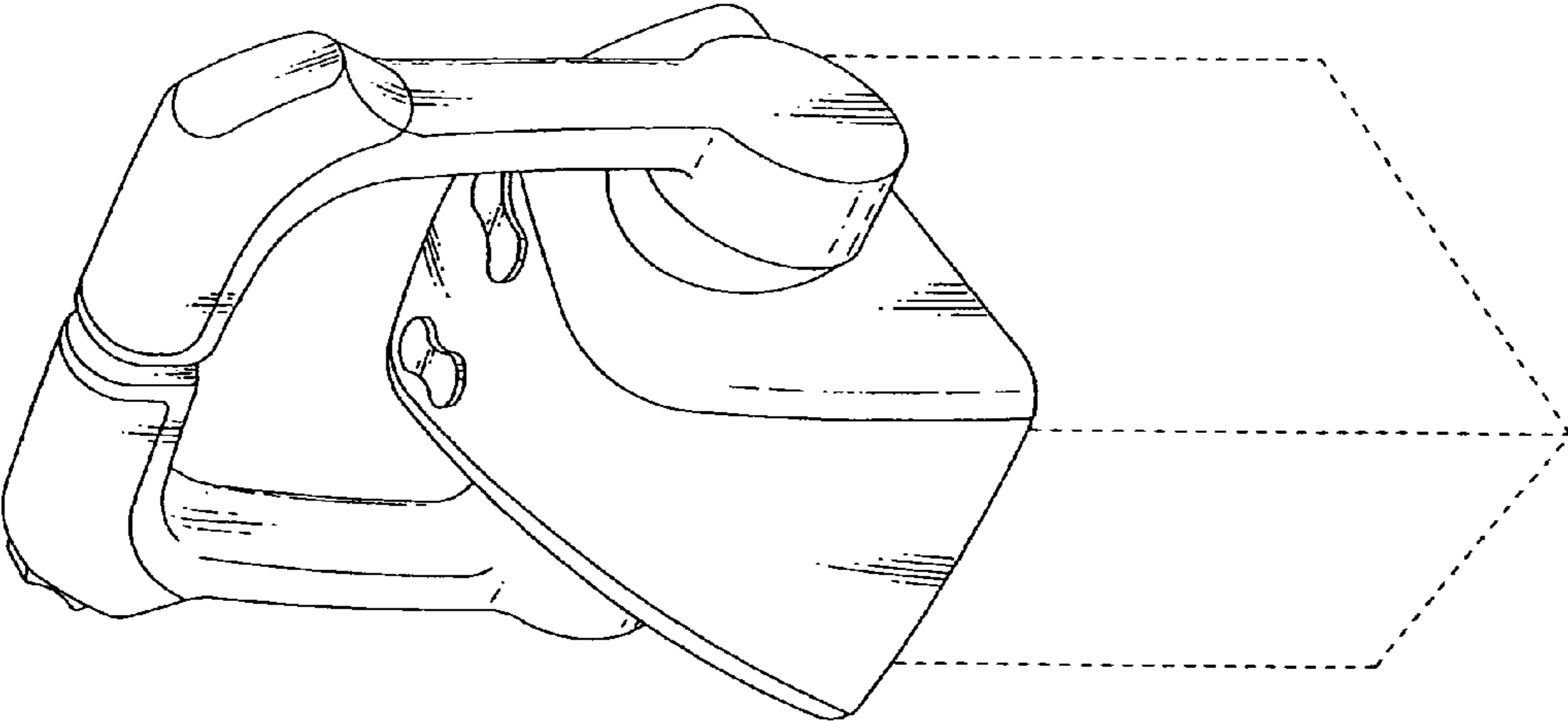


FIG. 4

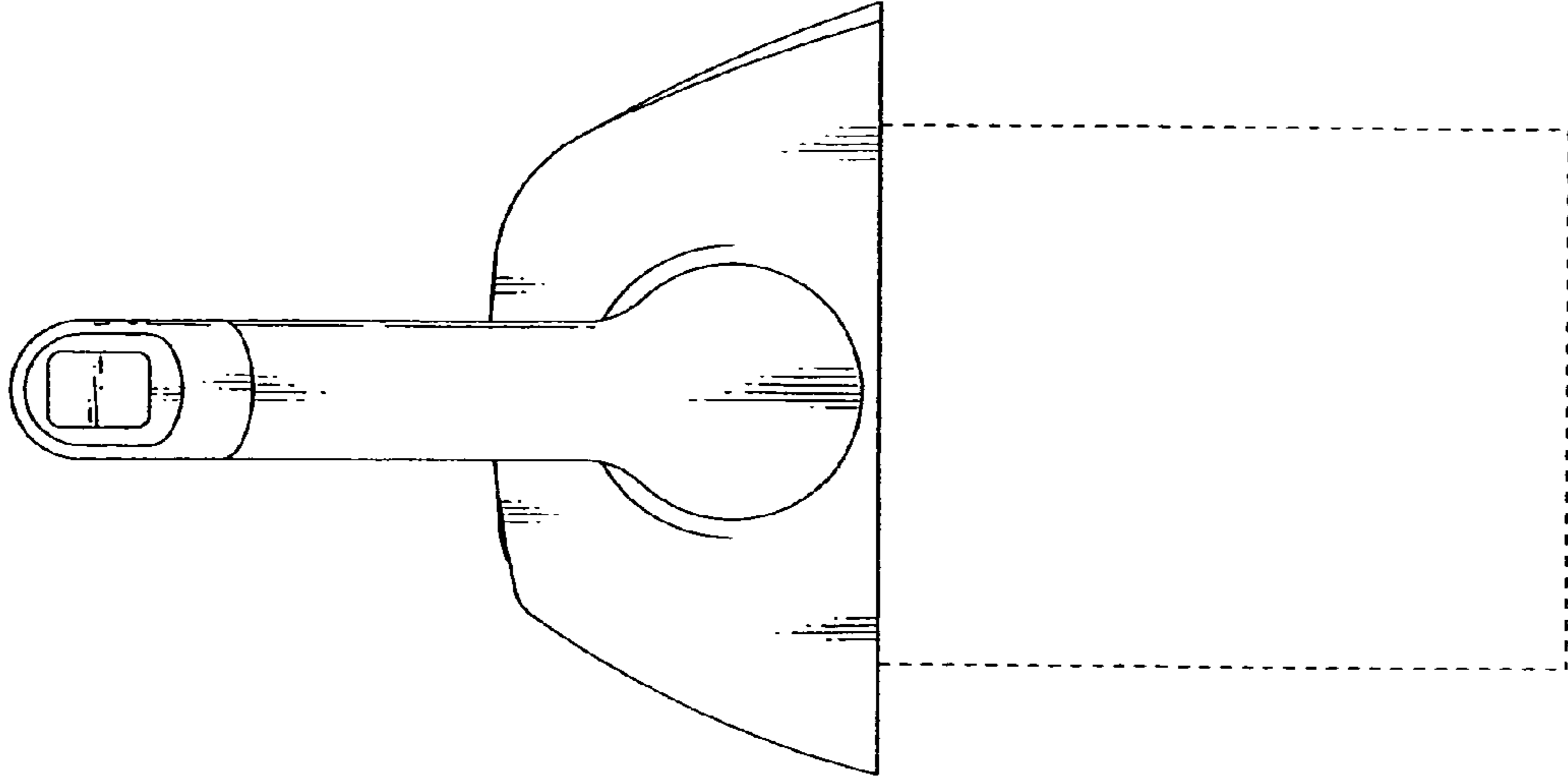


FIG. 3

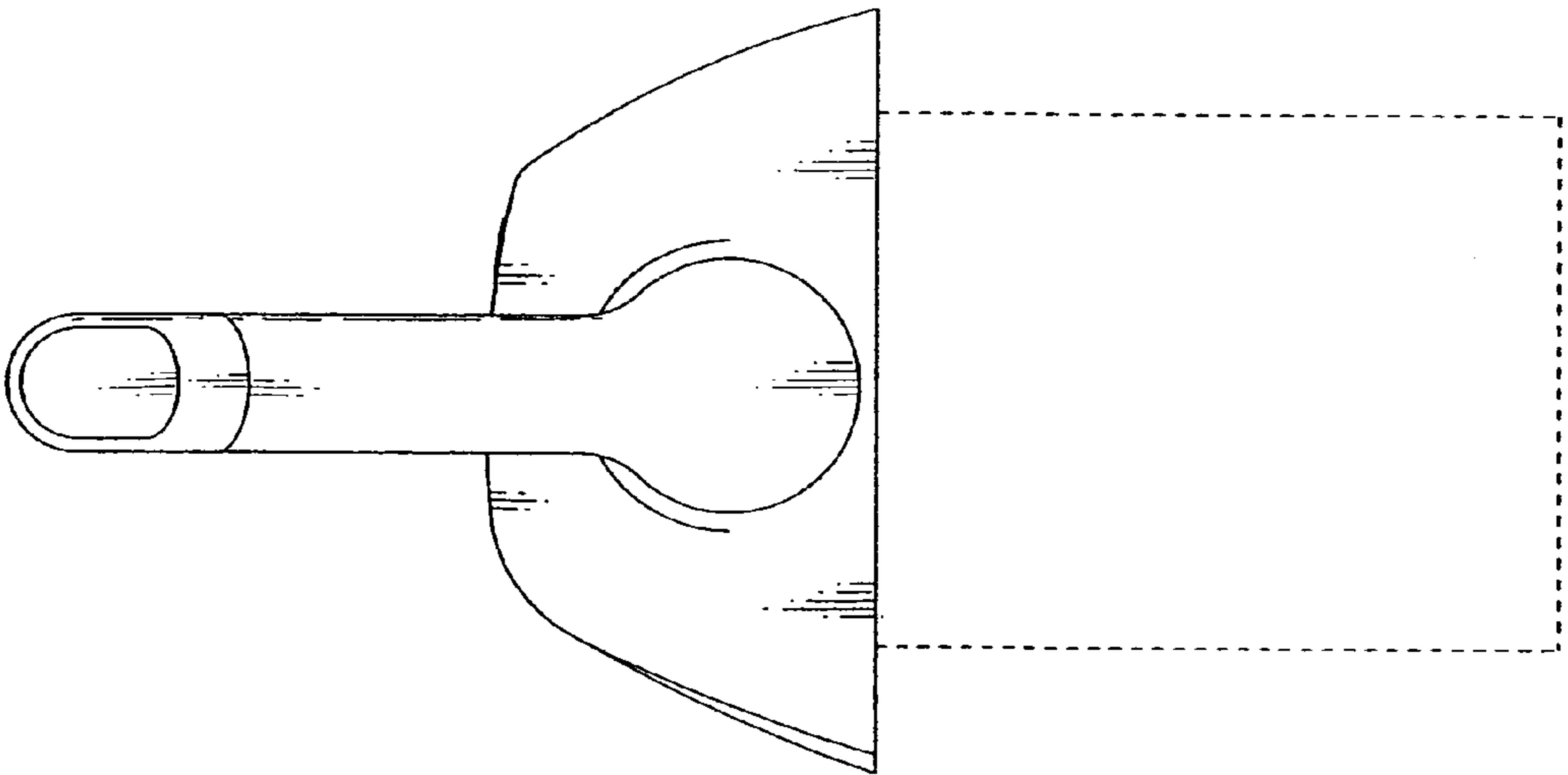


FIG. 6

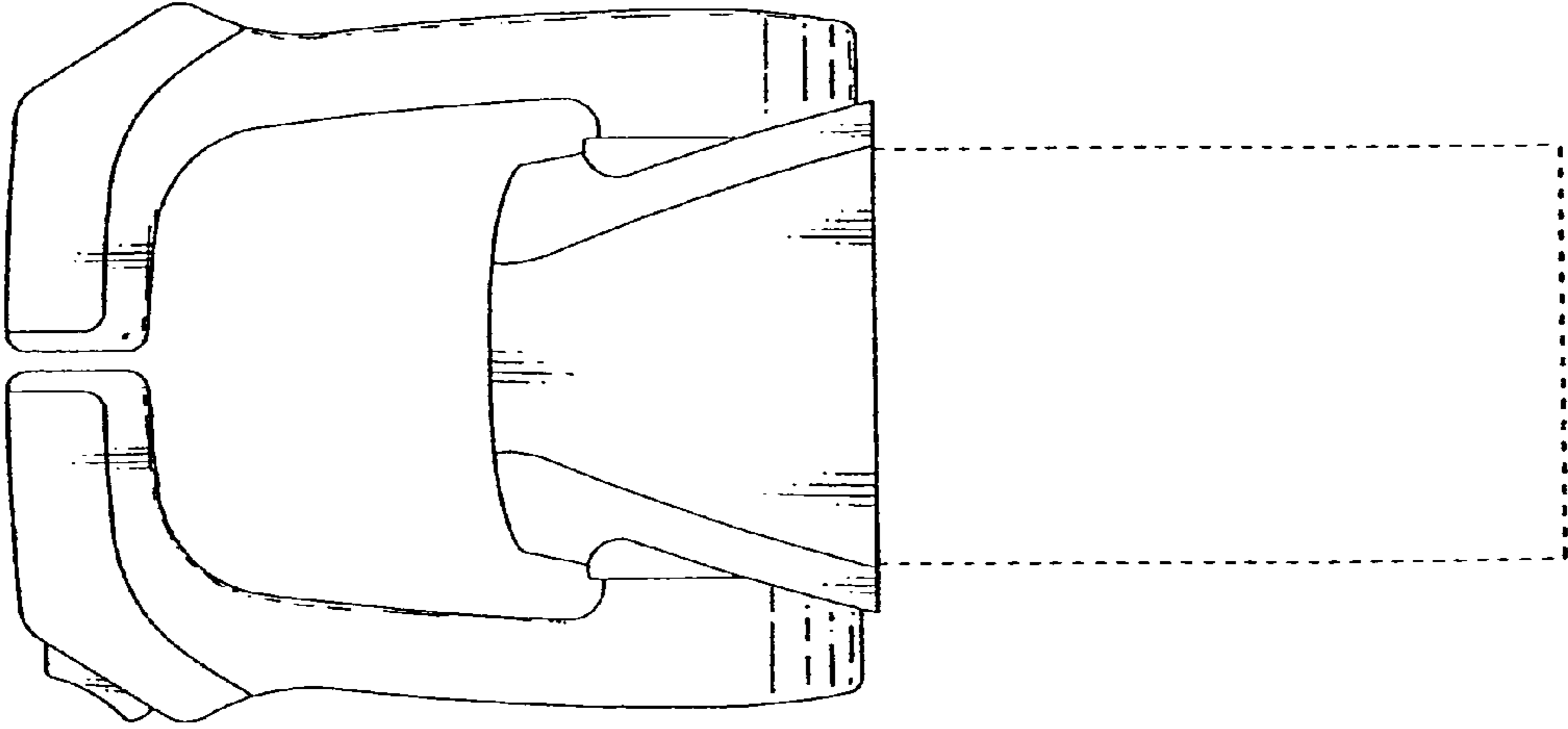


FIG. 5

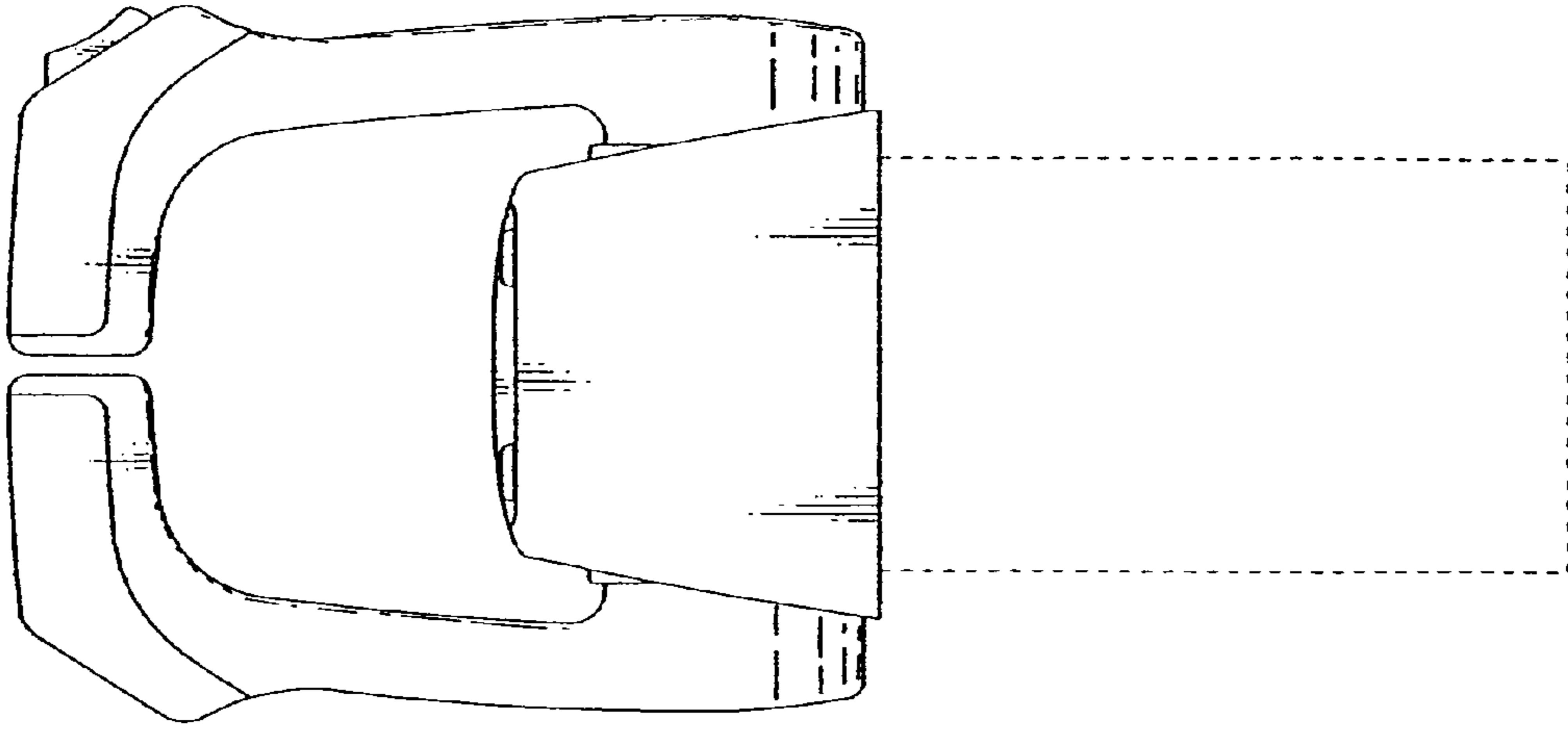


FIG. 8

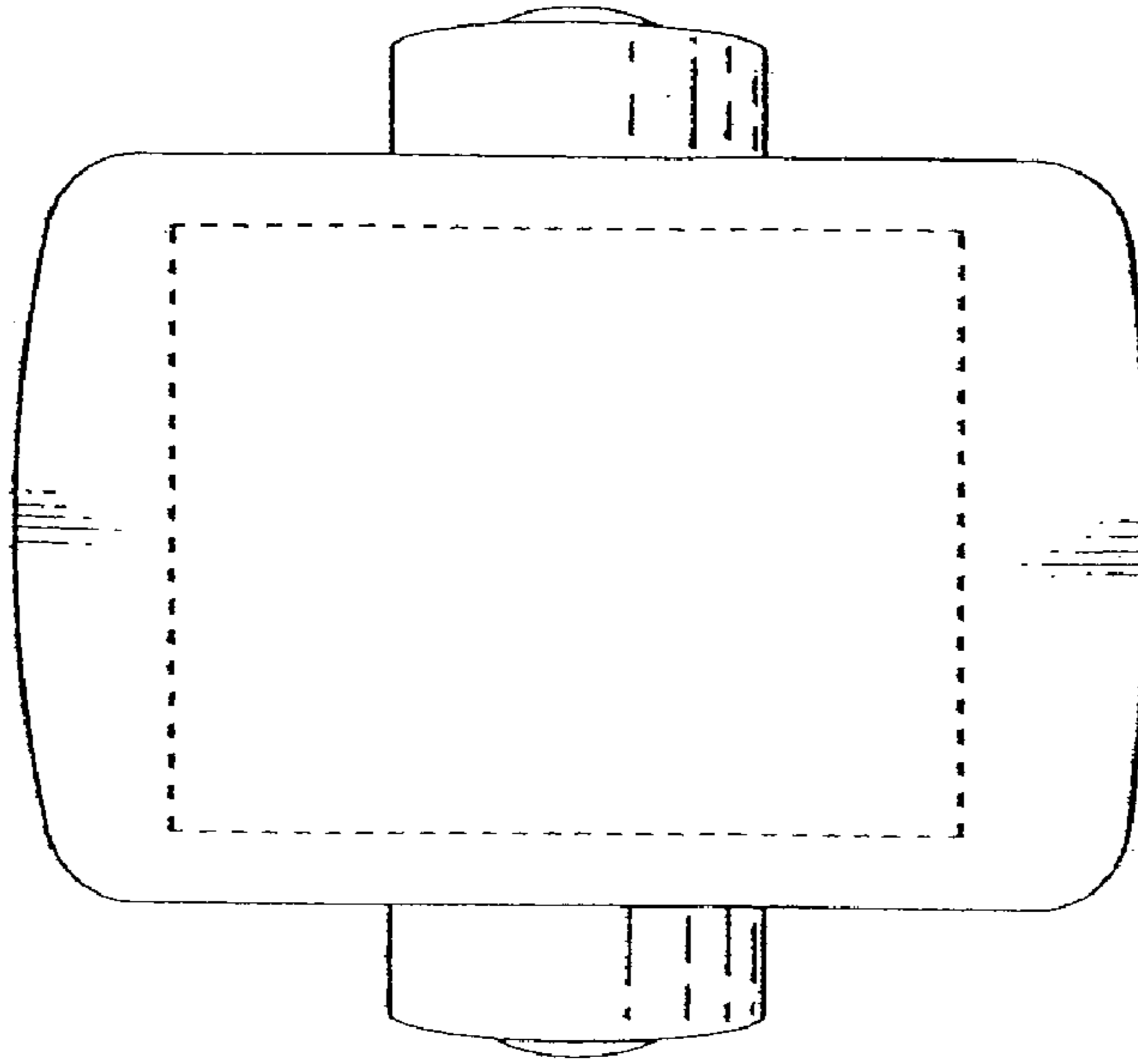


FIG. 7

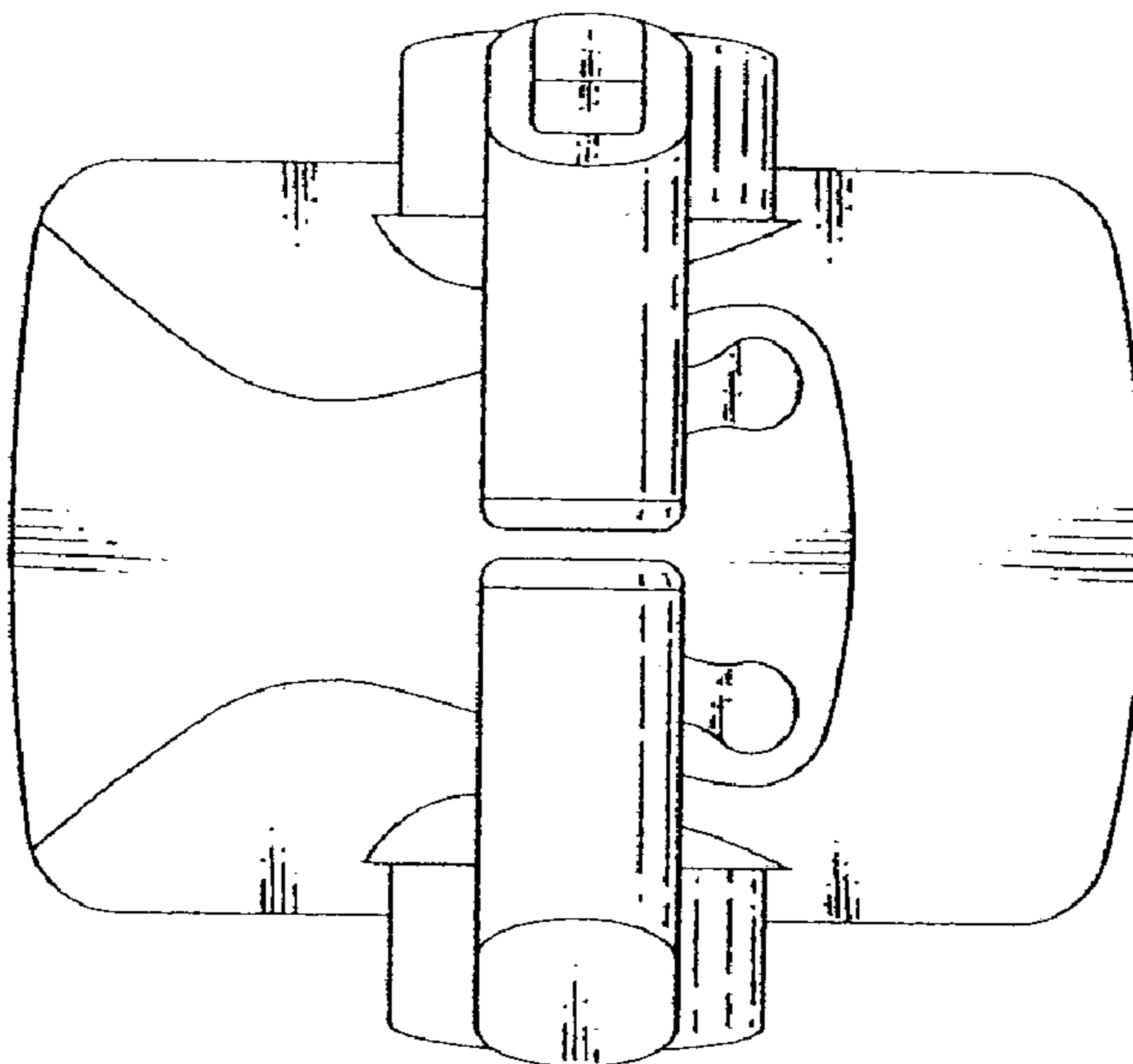


FIG. 10

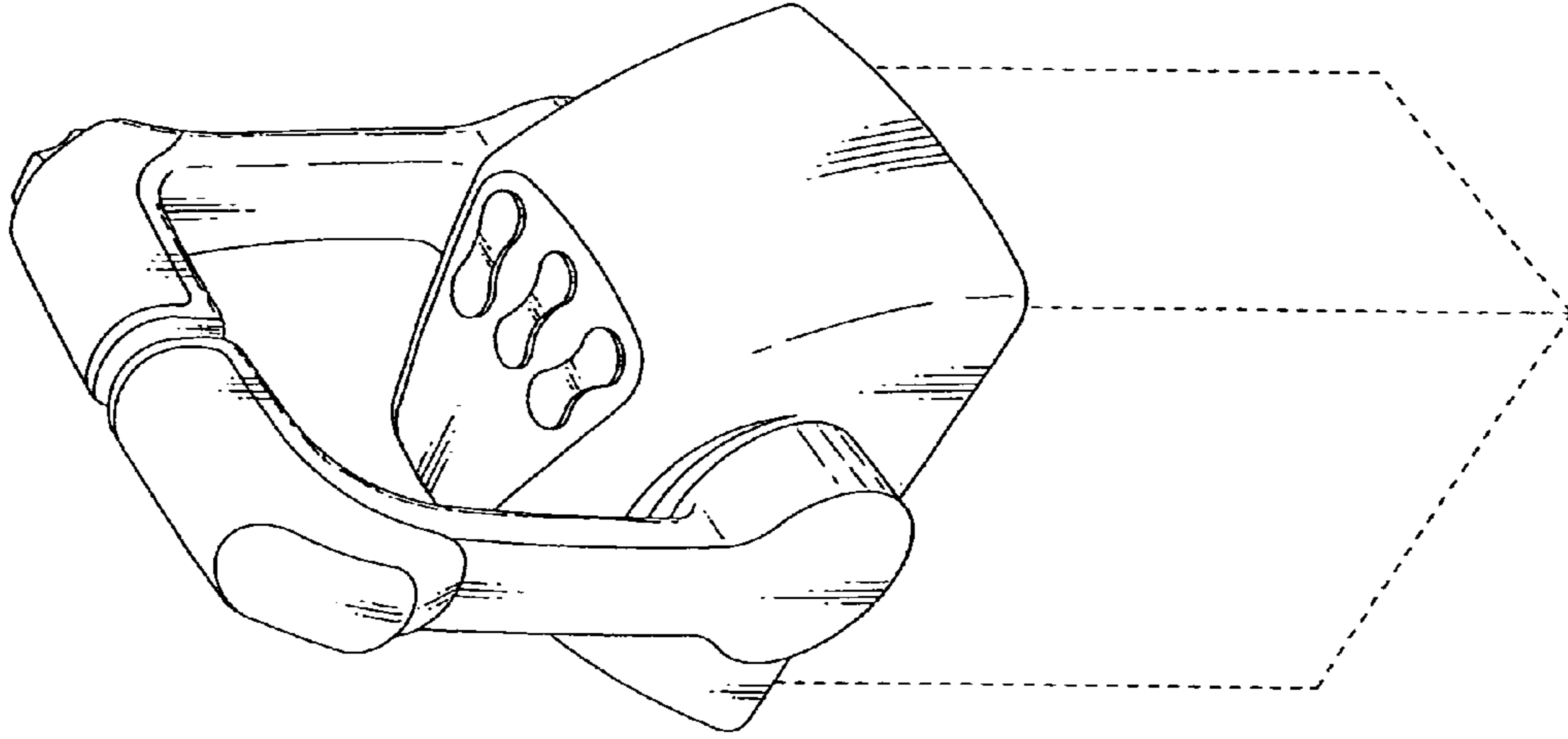


FIG. 9

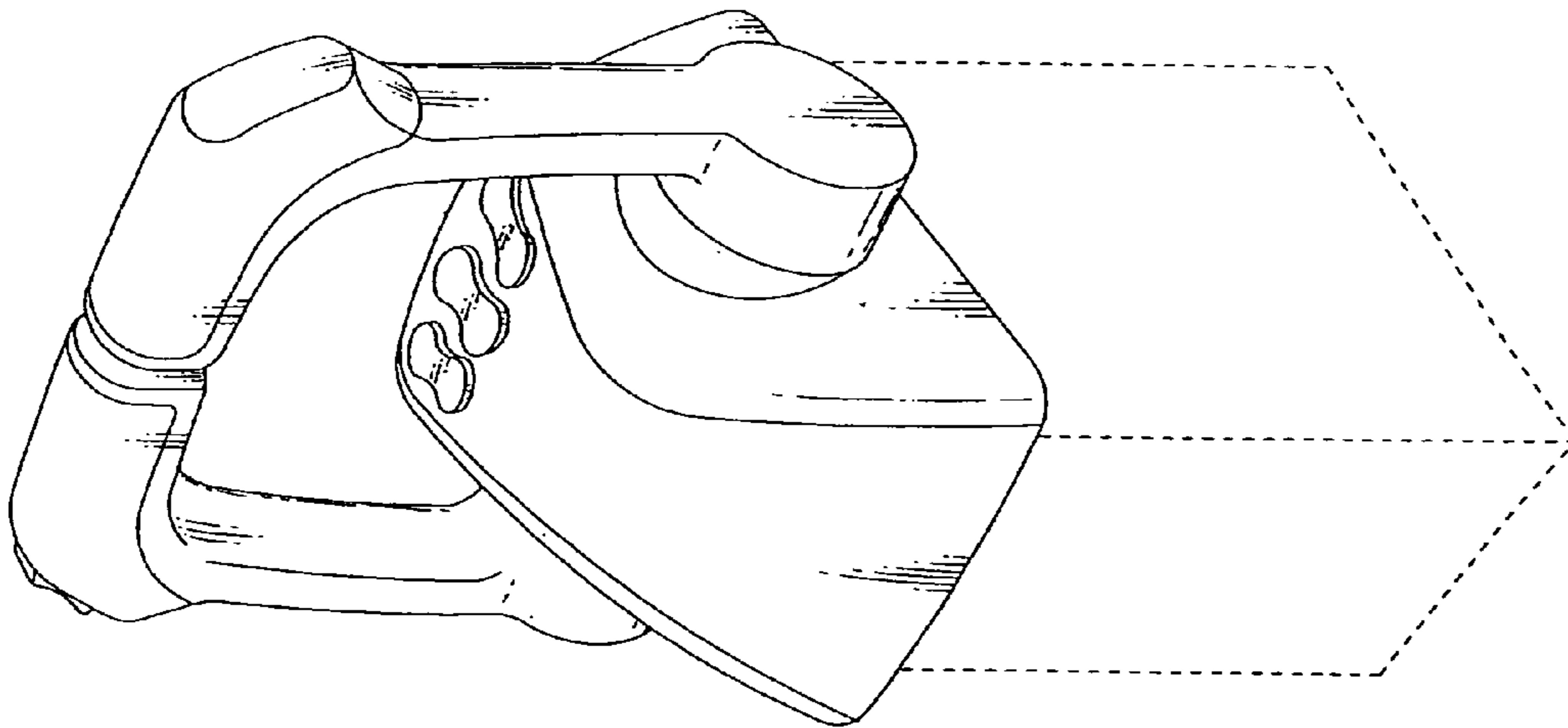


FIG. 12

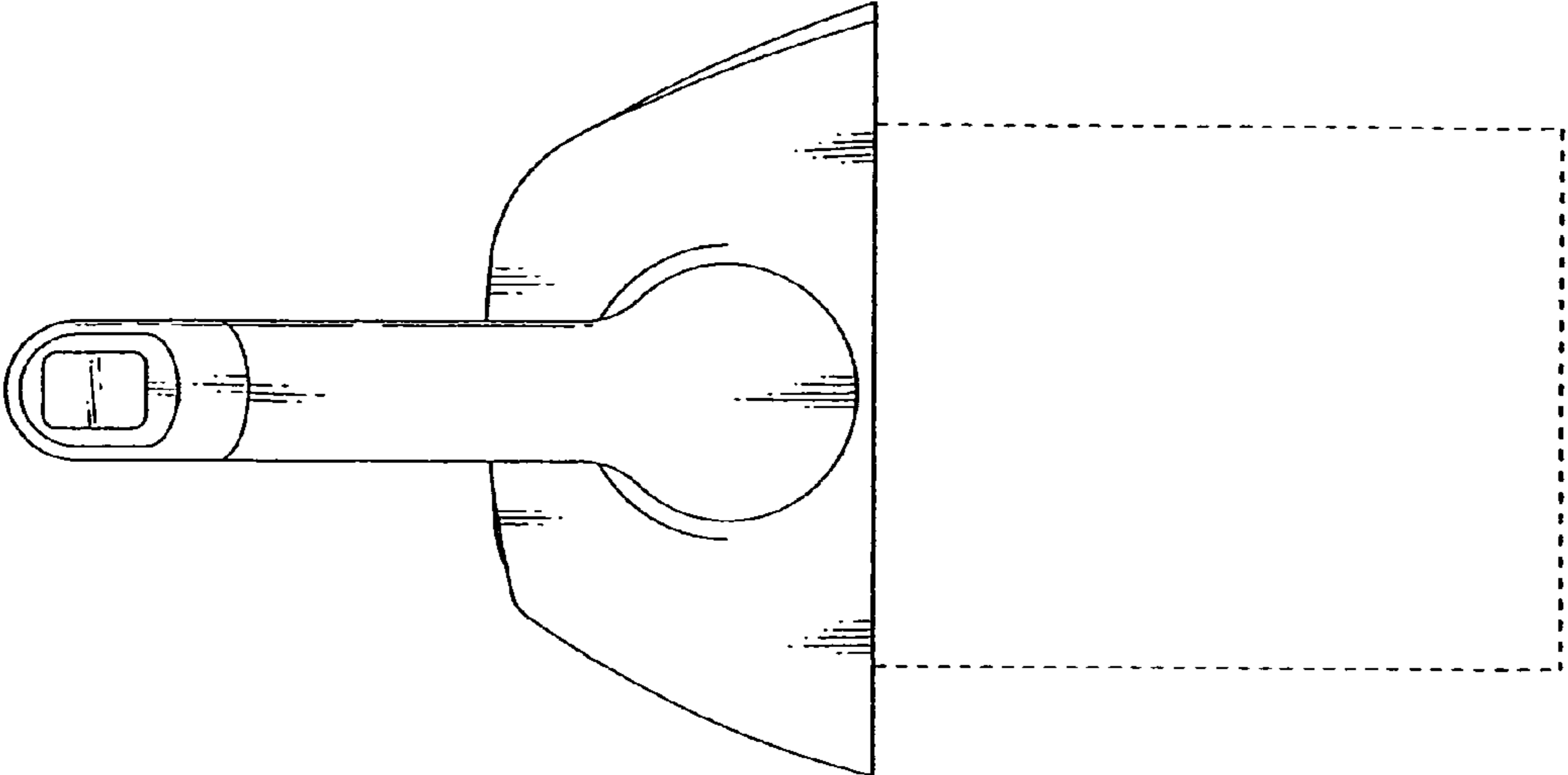


FIG. 11

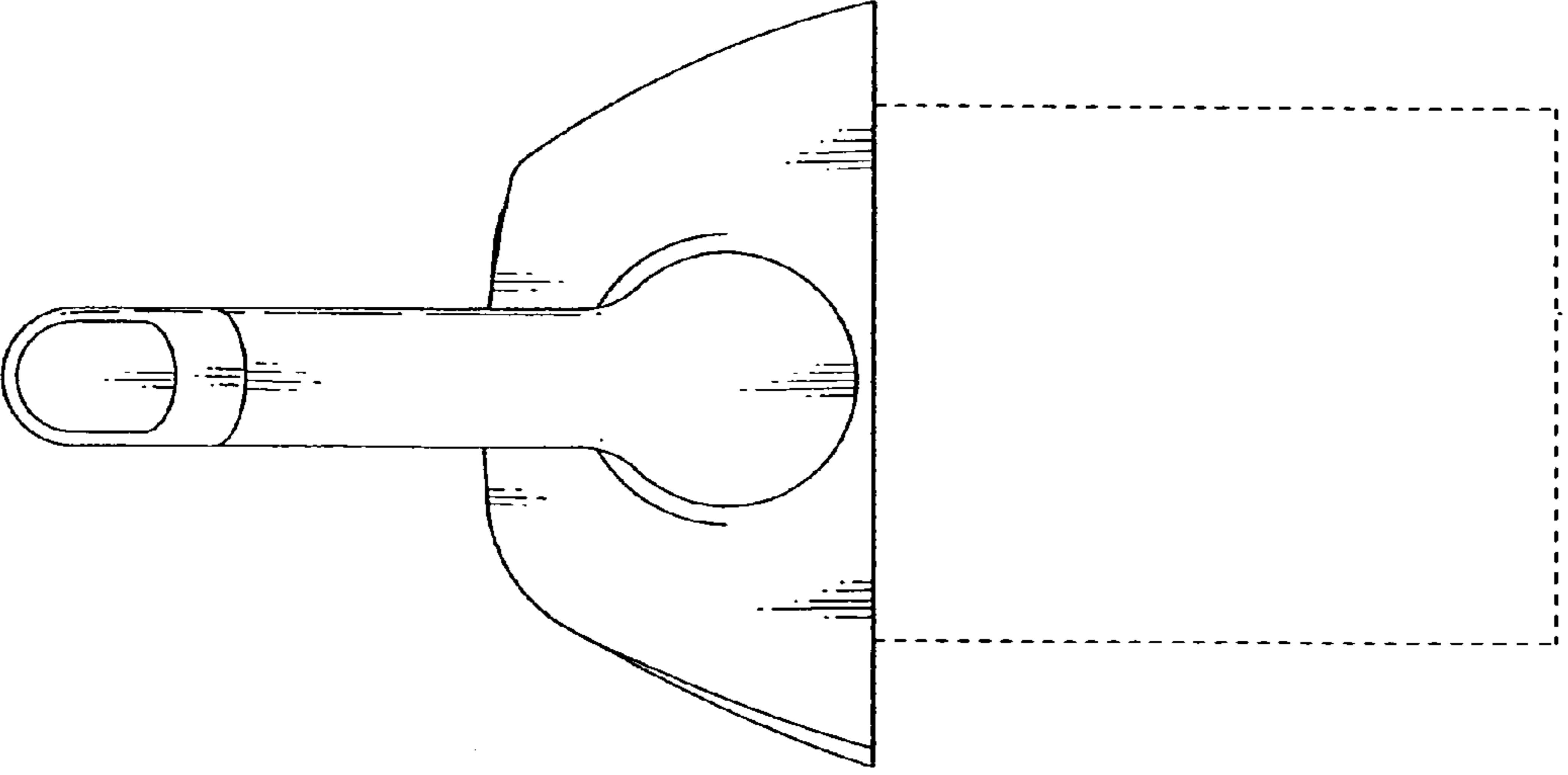


FIG. 14

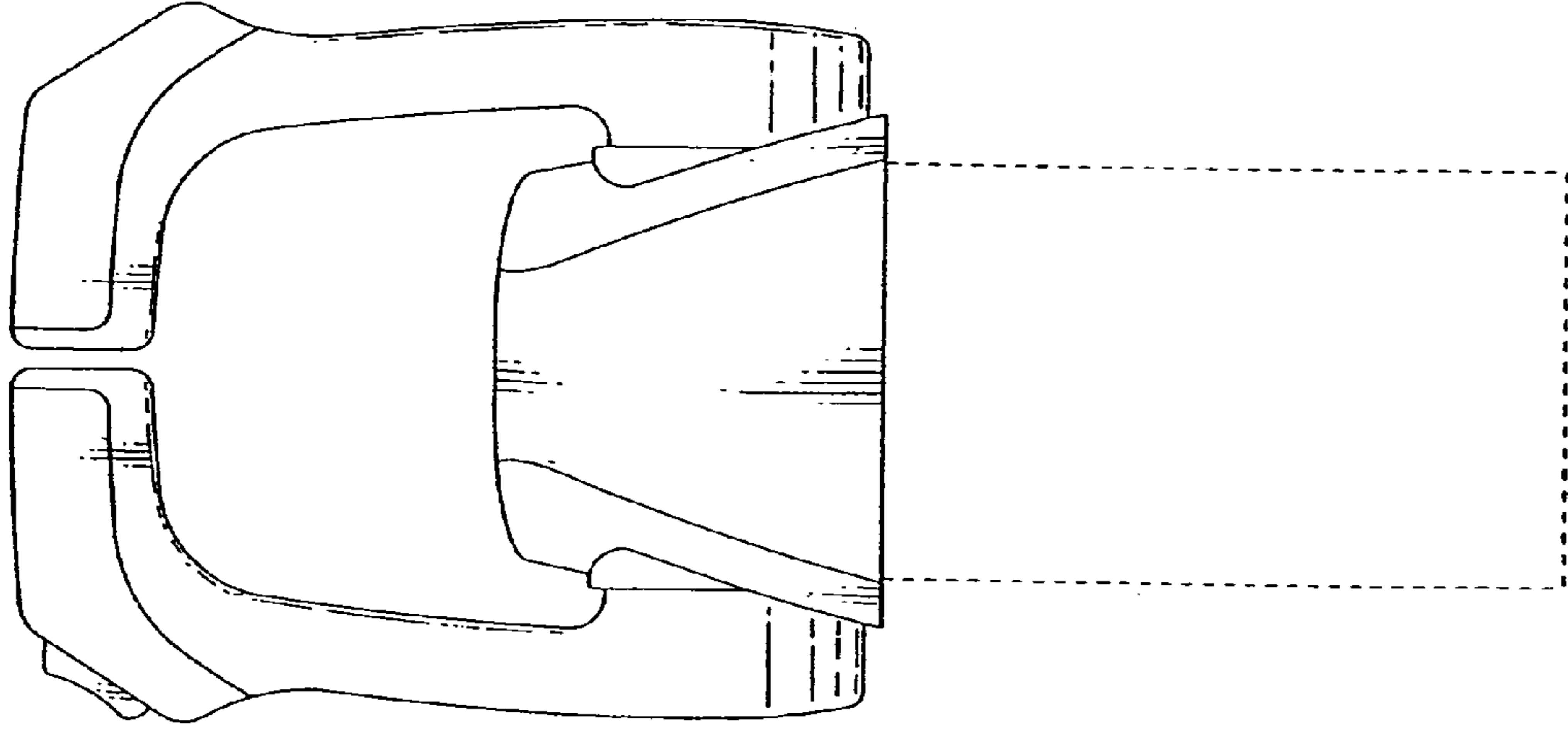


FIG. 13

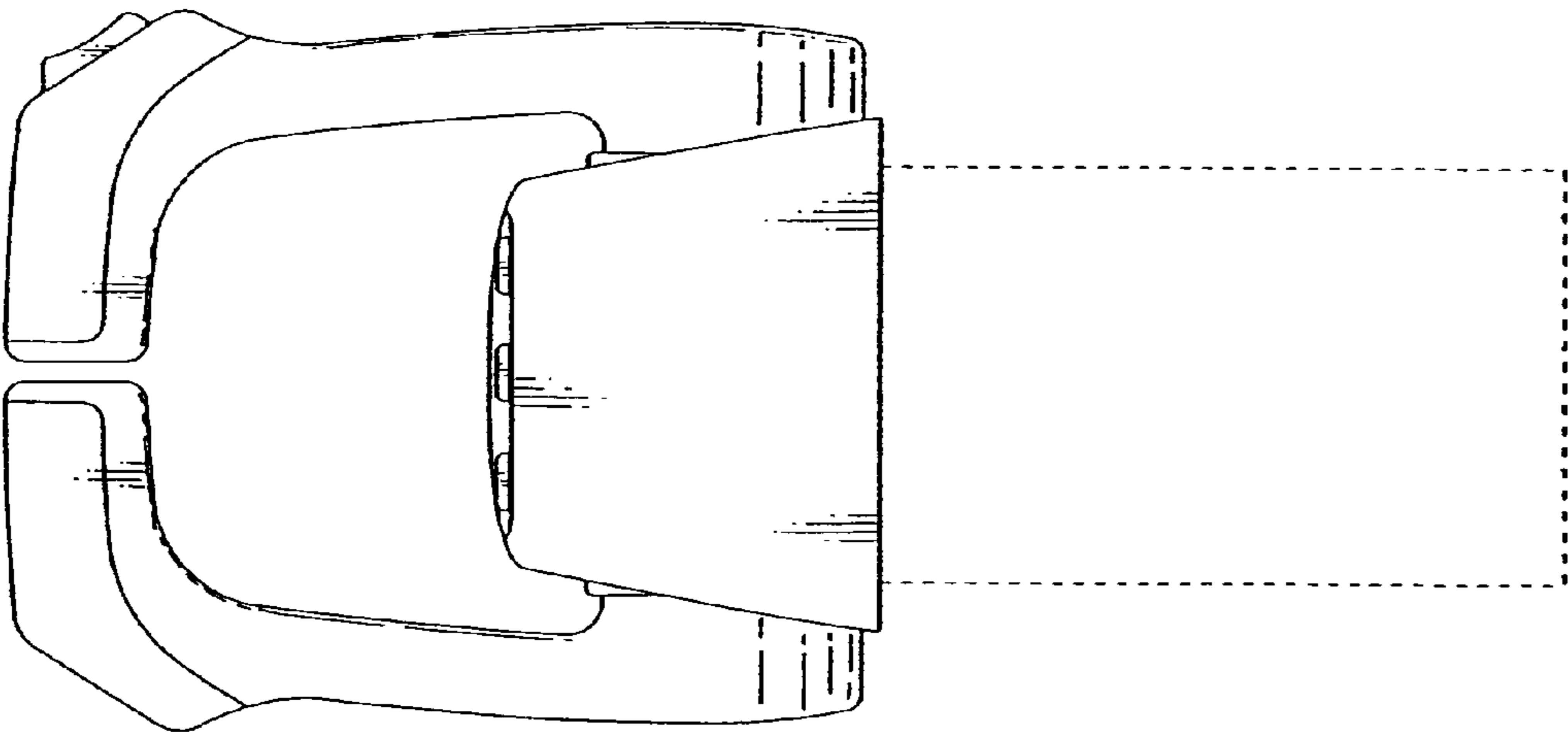


FIG. 16

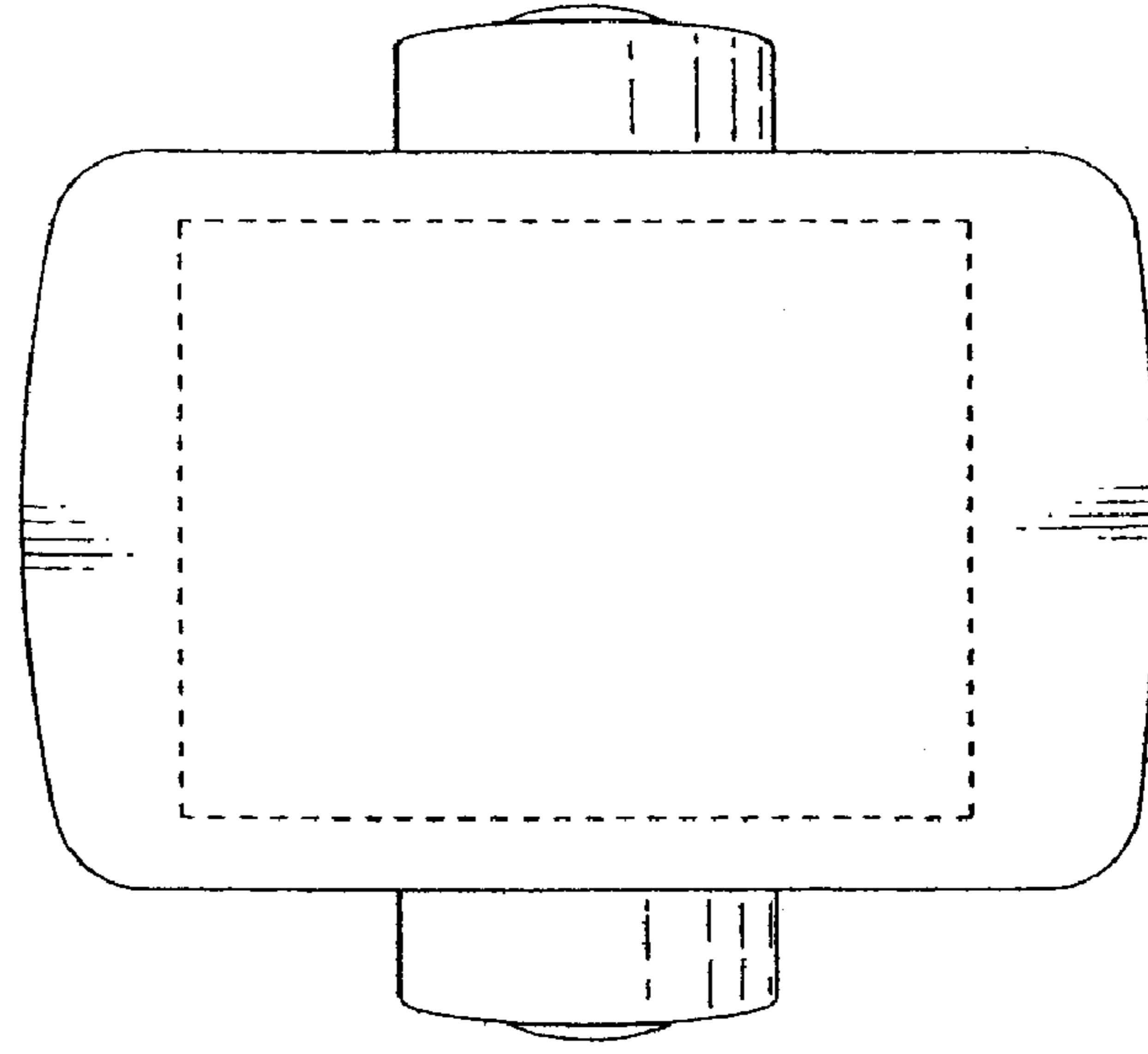


FIG. 15

