



US00D554595S

(12) **United States Design Patent** (10) **Patent No.:** **US D554,595 S**  
**Riede** (45) **Date of Patent:** **\*\* Nov. 6, 2007**

(54) **ENTERTAINMENT CONTROLLER**

(75) Inventor: **Steven John Riede**, Long Beach, CA (US)

(73) Assignee: **Magnadyne Corporation**, Compton, CA (US)

(\*\*) Term: **14 Years**

(21) Appl. No.: **29/272,606**

(22) Filed: **Feb. 12, 2007**

(51) **LOC (8) Cl.** ..... **13-03**

(52) **U.S. Cl.** ..... **D13/164; D14/258**

(58) **Field of Classification Search** ..... D13/110,  
D13/119, 123, 133, 147, 152, 159-177, 184;  
455/89, 90, 346-349; 361/601, 622, 627-628,  
361/679-681, 690; 340/825.22, 825.24;  
D14/157, 257-258

See application file for complete search history.

(56) **References Cited**

**U.S. PATENT DOCUMENTS**

- D354,477 S \* 1/1995 Kawamura et al. .... D23/309
- D430,562 S \* 9/2000 Richards ..... D14/258
- D469,743 S \* 2/2003 Bergmann ..... D13/164

- D474,491 S \* 5/2003 Kim ..... D16/235
- D475,690 S \* 6/2003 Nose et al. .... D14/157
- 7,134,877 B2 \* 11/2006 Matumoto et al. .... 434/379
- D541,795 S \* 5/2007 Kimura et al. .... D14/258
- 2003/0193871 A1 \* 10/2003 Tobishima et al. .... 369/75.1
- 2004/0125548 A1 \* 7/2004 Lin ..... 361/679
- 2005/0174724 A1 \* 8/2005 Chen ..... 361/681
- 2005/0264983 A1 \* 12/2005 Chen ..... 361/681
- 2006/0158834 A1 \* 7/2006 Reents et al. .... 361/679

\* cited by examiner

*Primary Examiner*—Selina Sikder

*Assistant Examiner*—Thomas J Johannes

(57) **CLAIM**

The ornamental design for an entertainment controller, as shown and described.

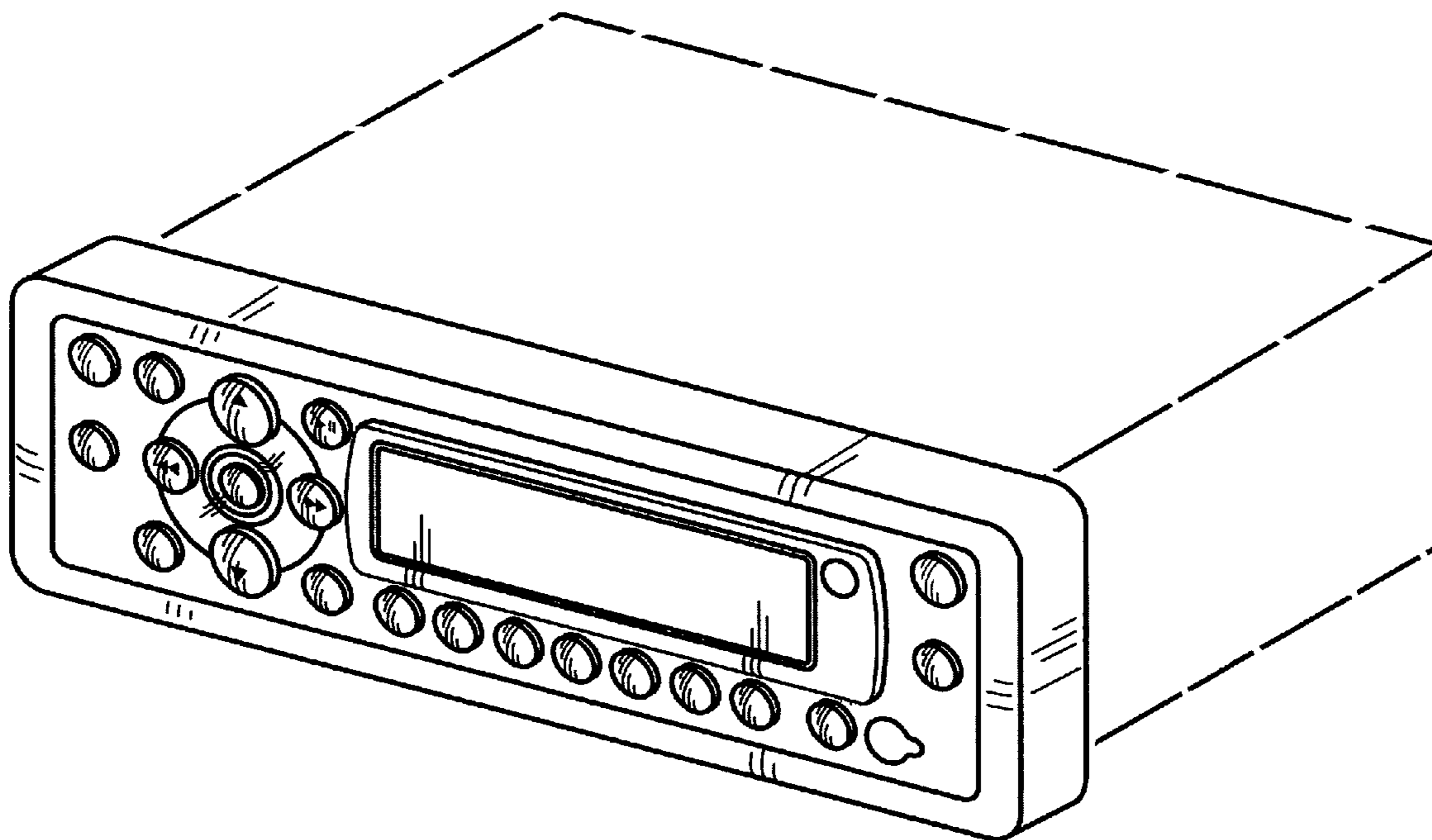
**DESCRIPTION**

FIG. 1 is a perspective view of an entertainment controller, showing our new design; and,

FIG. 2 is a front elevational view thereof.

The broken line showing in FIG. 1 is included for the purpose of illustrating environmental detail and forms no part of the claimed design.

**1 Claim, 2 Drawing Sheets**



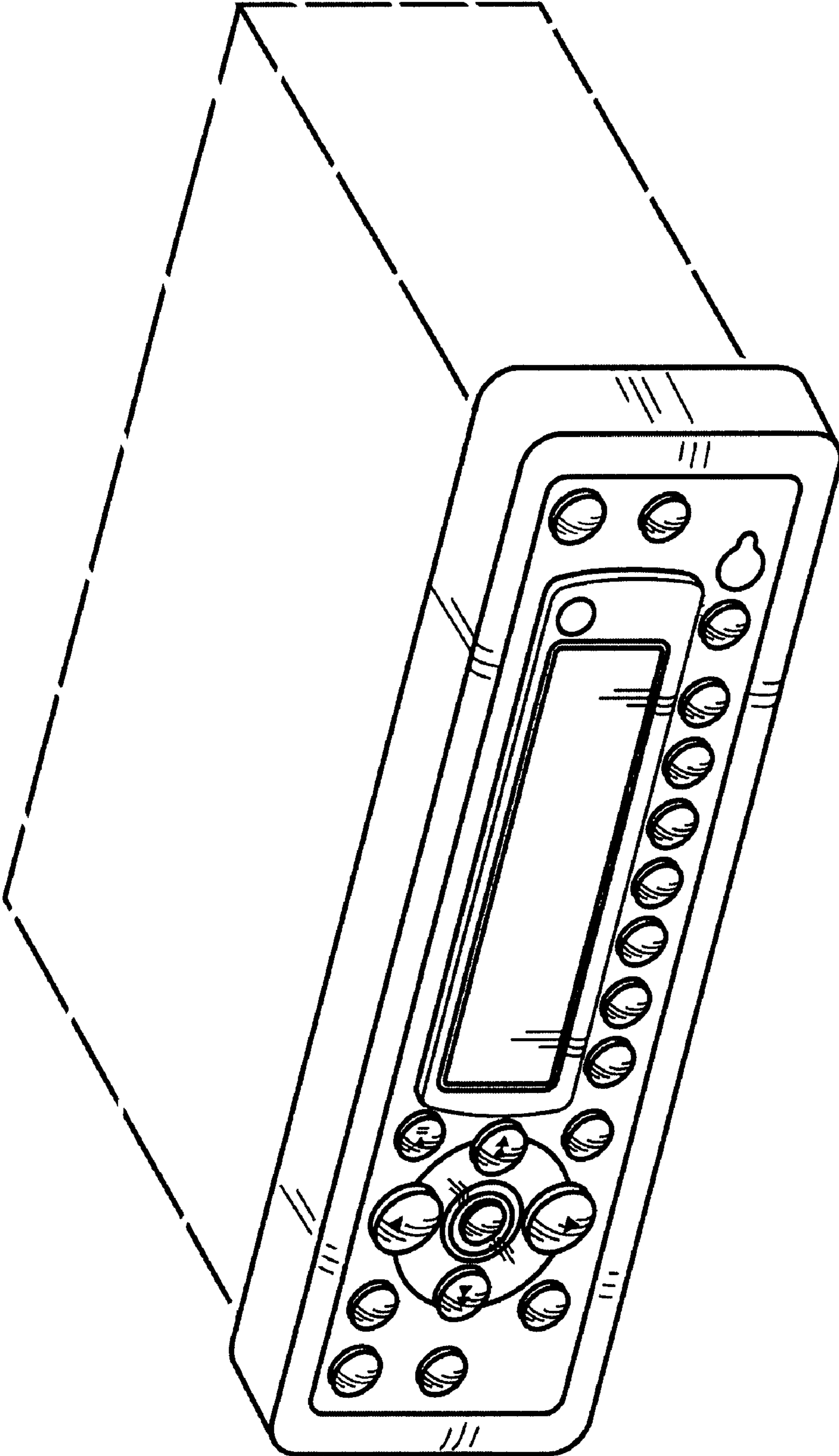


Figure 1

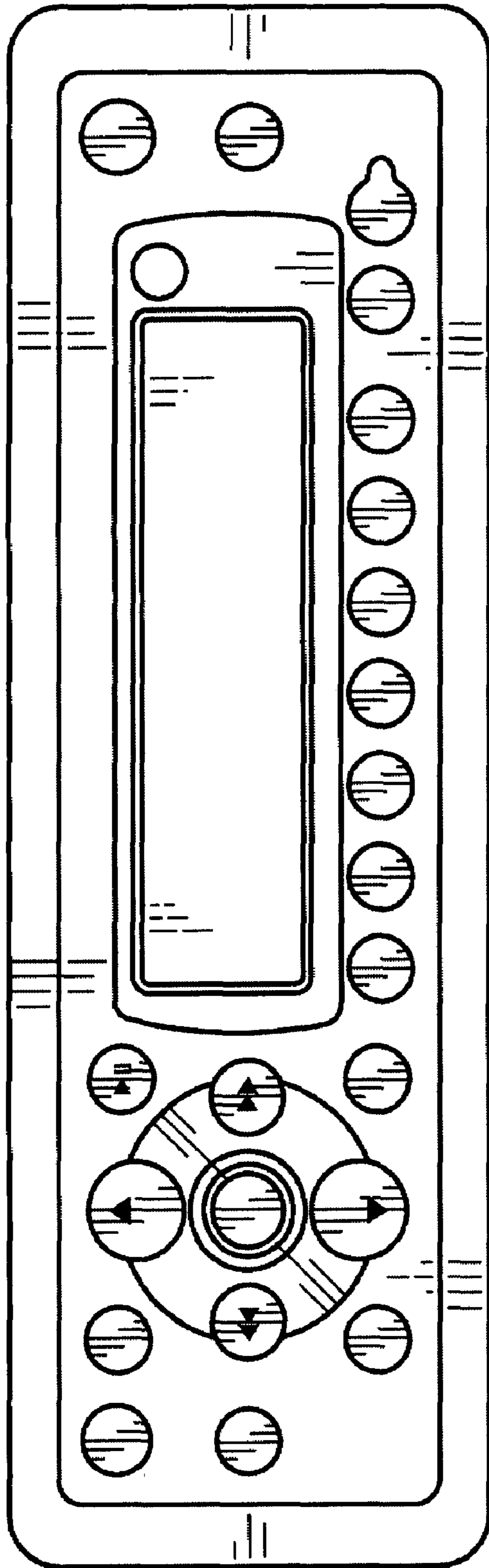


Figure 2