



US00D554593S

(12) **United States Design Patent** (10) **Patent No.:** **US D554,593 S**
Greenberg et al. (45) **Date of Patent:** **** Nov. 6, 2007**

(54) **SIGNAL MODULE** 2004/0150959 A1* 8/2004 Sullivan 361/728

(75) Inventors: **Sharon Greenberg**, San Jose, CA (US);
Trung Nguyen, San Jose, CA (US)

(73) Assignee: **inTEST Corporation**, Cherry Hill, NJ
(US)

(**) Term: **14 Years**

(21) Appl. No.: **29/269,183**

(22) Filed: **Nov. 22, 2006**

(51) **LOC (8) Cl.** **13-03**

(52) **U.S. Cl.** **D13/162**

(58) **Field of Classification Search** D13/168,
D13/164, 162, 158, 173, 174, 184; 361/784;
324/76.12, 754

See application file for complete search history.

(56) **References Cited**

U.S. PATENT DOCUMENTS

D314,555 S *	2/1991	Brown et al.	D13/164
D432,987 S *	10/2000	Seo et al.	D13/123
6,147,877 A *	11/2000	Strandberg et al.	361/784
6,686,732 B2 *	2/2004	Parrish	324/158.1
D525,197 S *	7/2006	Tanabe et al.	D13/123
D528,989 S *	9/2006	Dao	D13/162
D535,260 S *	1/2007	Dao	D13/162

* cited by examiner

Primary Examiner—Selina Sikder

Assistant Examiner—Thomas J Johannes

(74) *Attorney, Agent, or Firm*—RatnerPrestia

(57) **CLAIM**

The ornamental design for a signal module, as shown and described.

DESCRIPTION

FIG. 1 is a perspective view of a signal module.

FIG. 2 is a front view of the signal module illustrated in FIG. 1; the rear being a mirror image thereof.

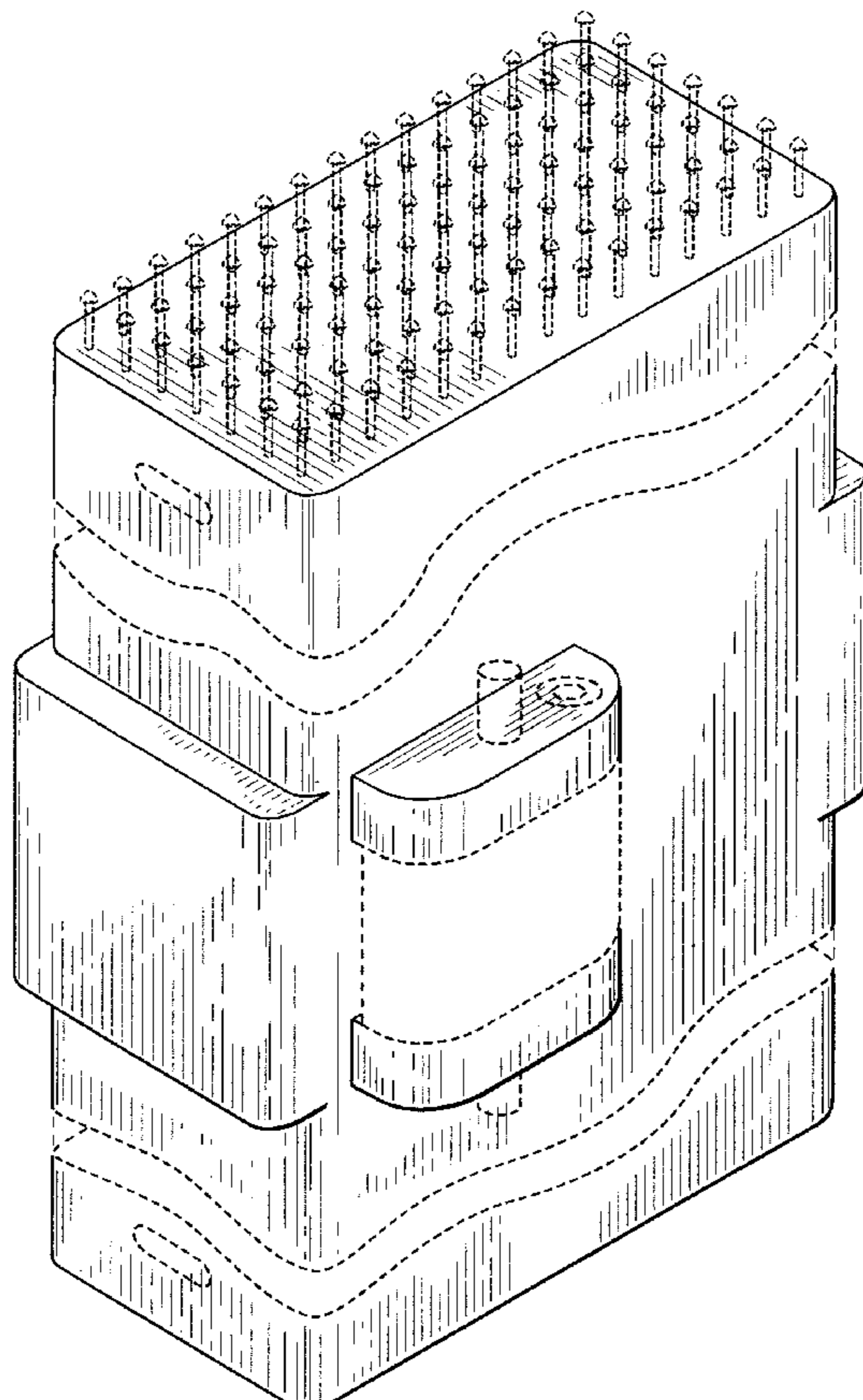
FIG. 3 is a side view of the signal module shown in FIG. 1; the other side being a mirror image thereof; and,

FIG. 4 is a top view of the signal module illustrated in FIG. 1; the bottom being a mirror image thereof.

The signal module is shown broken away in FIGS. 1, 2 and 3 of the drawings to indicate indeterminate length, it being understood that it has a uniform shape and appearance throughout its length.

The features indicated in the figures in broken lines form no part of the claimed design.

1 Claim, 4 Drawing Sheets



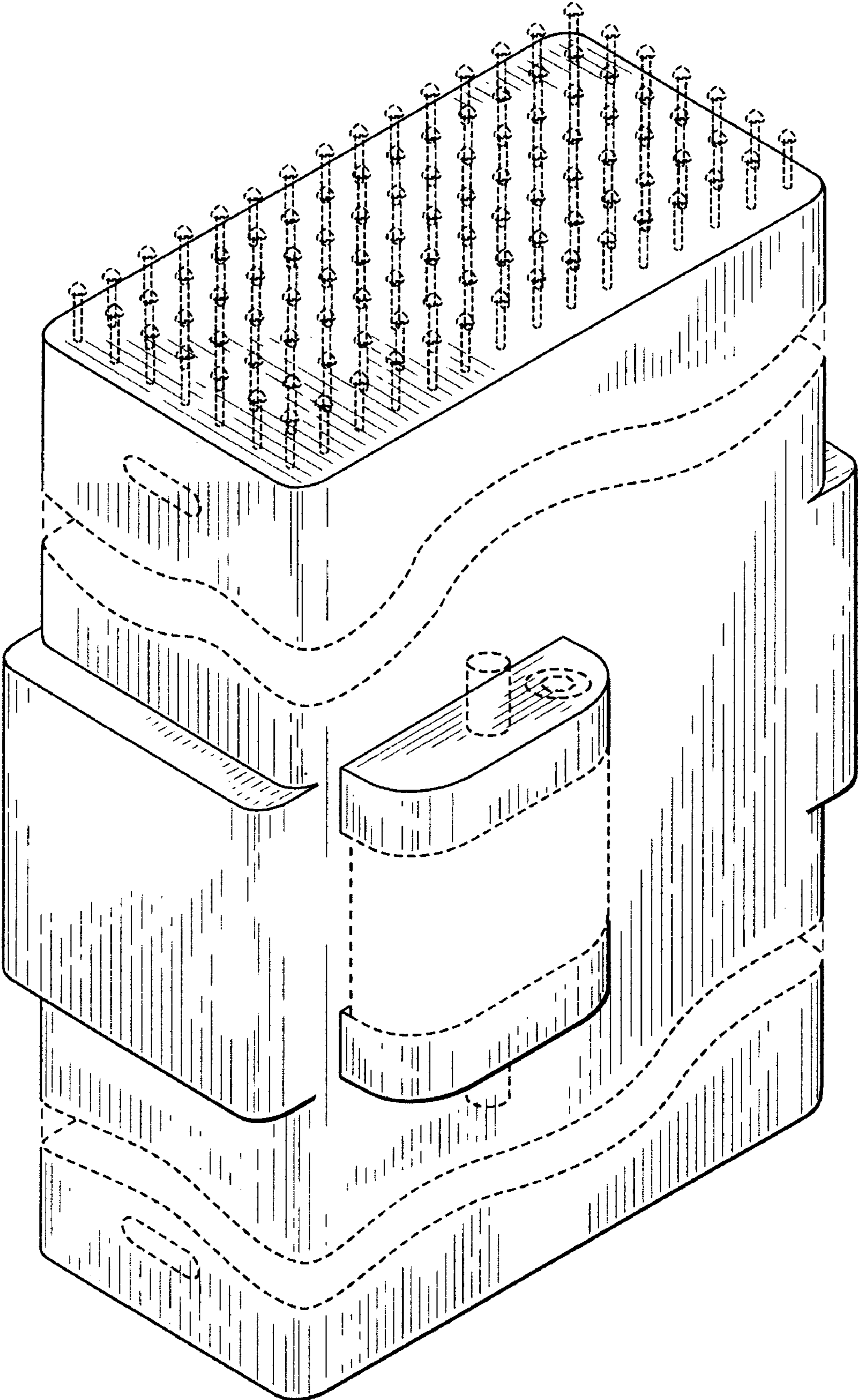


FIG. 1

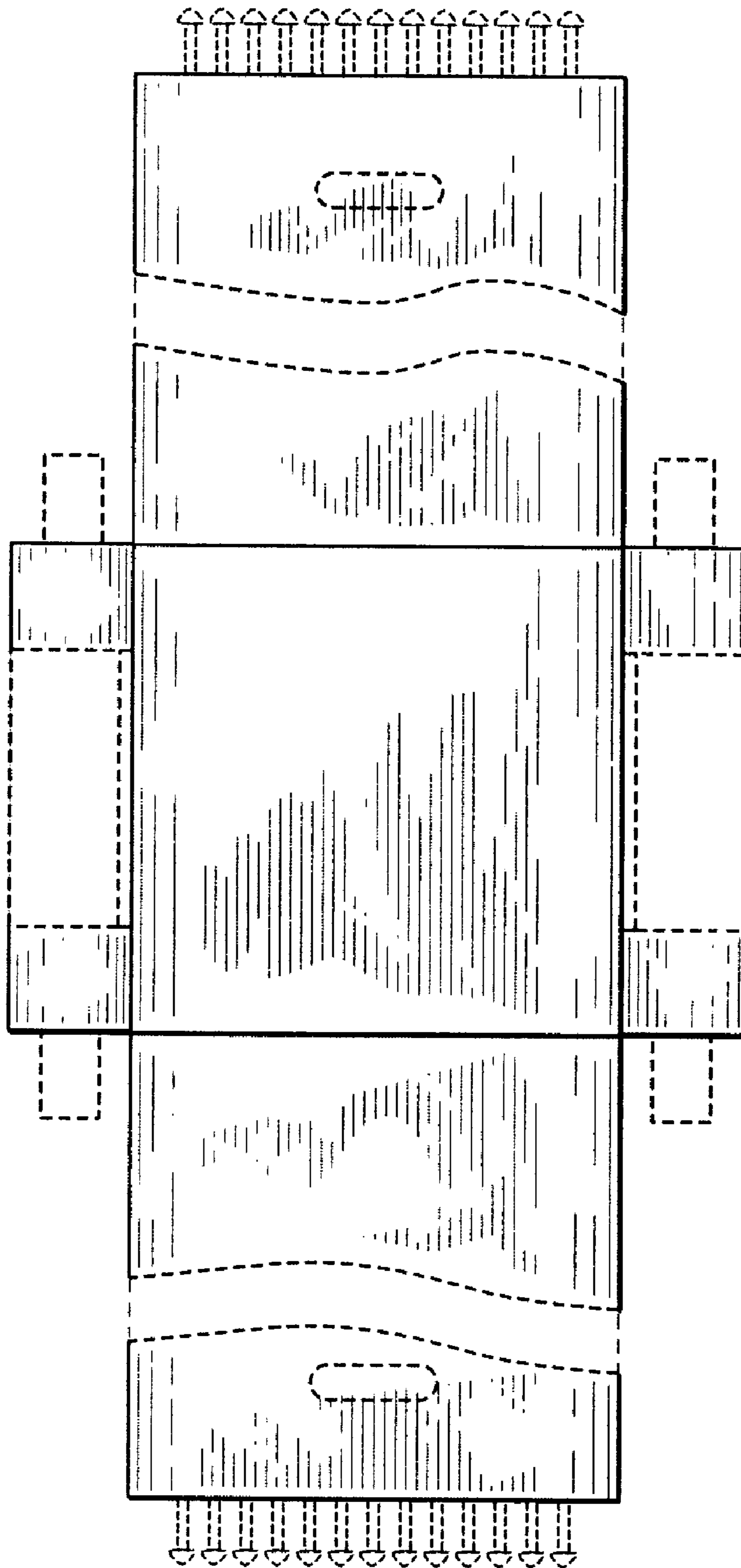


FIG. 2

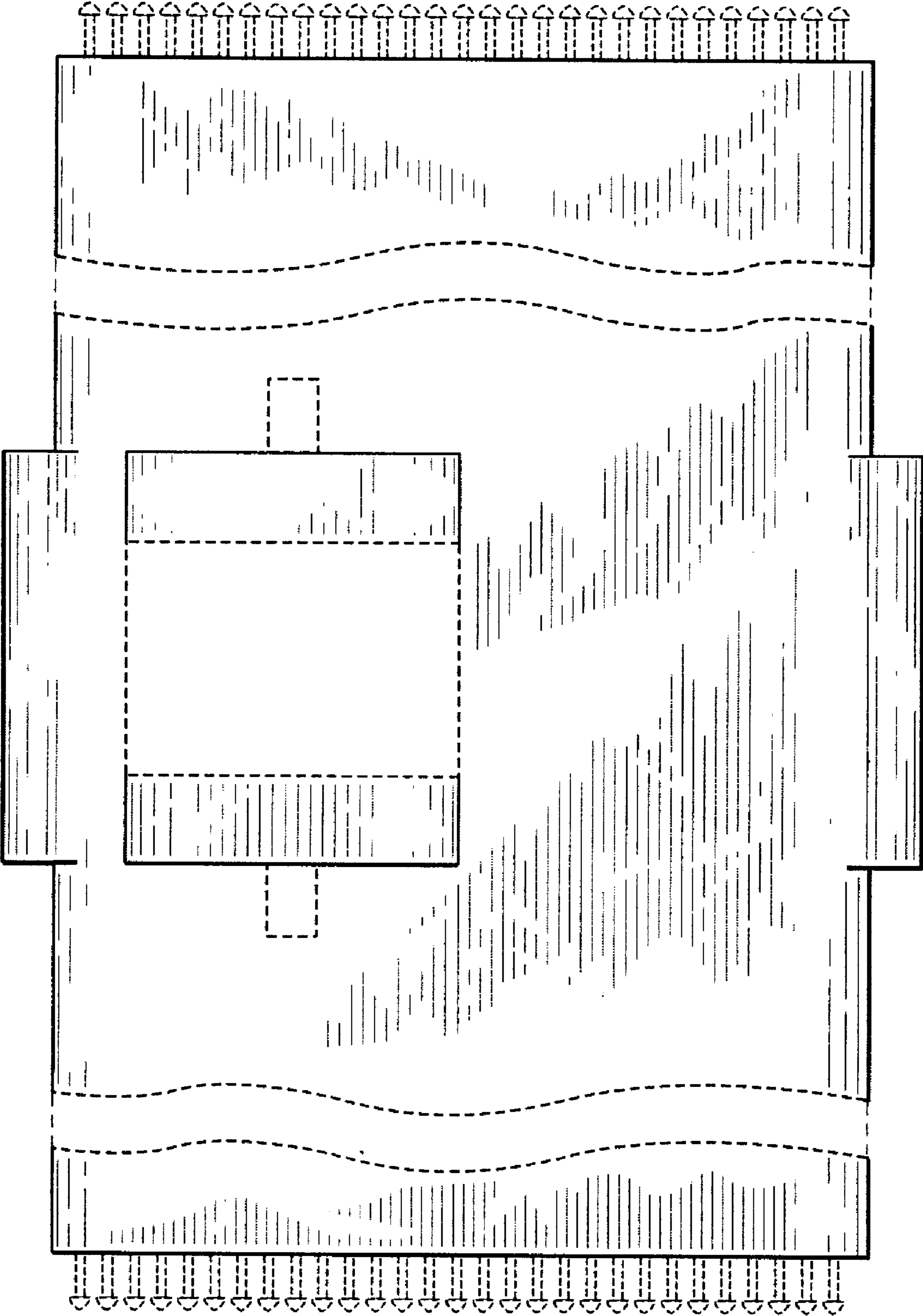


FIG. 3

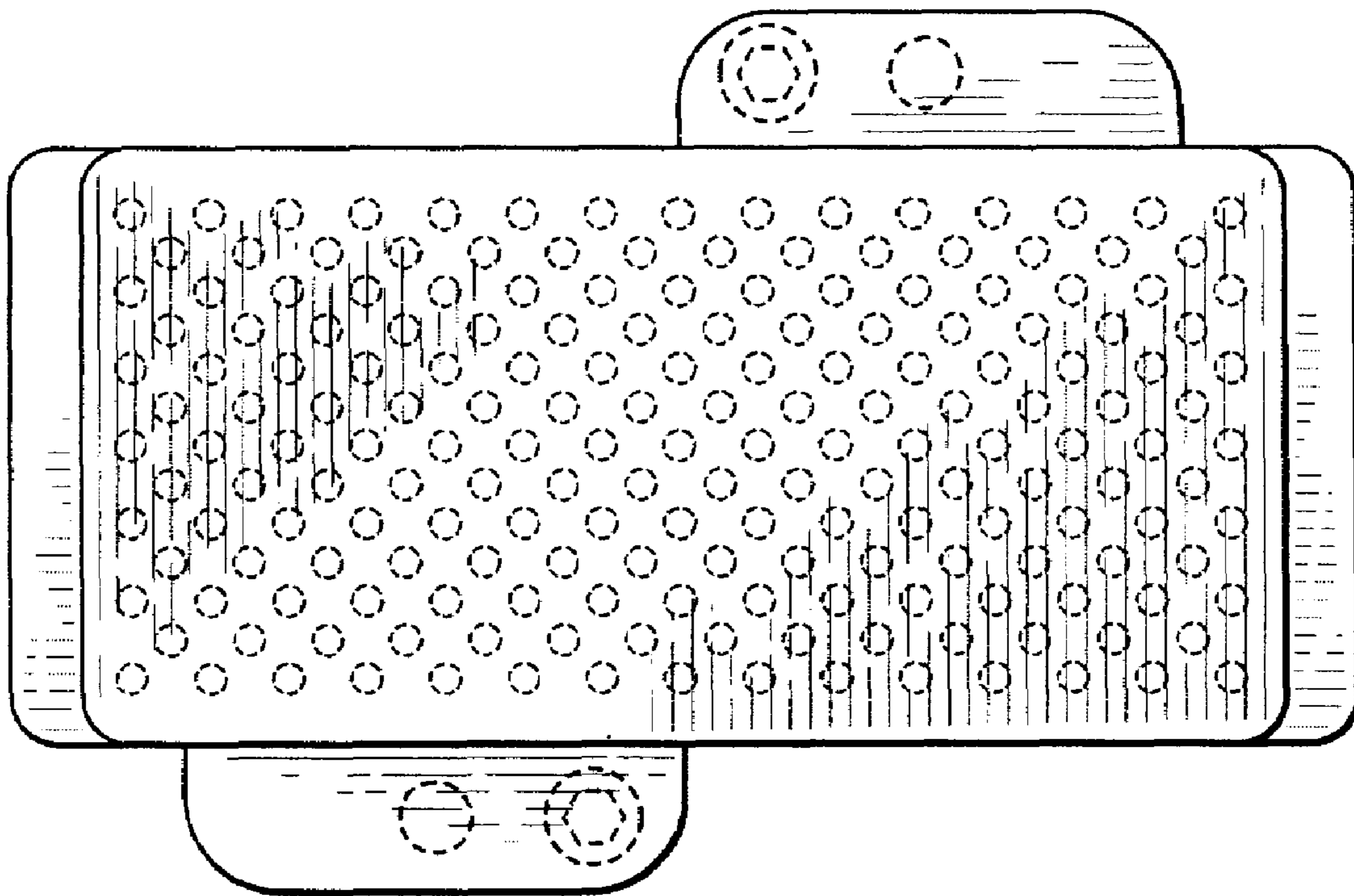


FIG. 4