



US00D554591S

(12) **United States Design Patent**
Victor

(10) **Patent No.:** **US D554,591 S**

(45) **Date of Patent:** **** Nov. 6, 2007**

(54) **BREAKOUT FOR CABLE ASSEMBLY**

D447,120 S * 8/2001 Lee D13/146
D501,447 S * 2/2005 Greenwood et al. D13/133

(76) Inventor: **Jay Victor**, 2017 Bataan Rd., Unit A,
Redondo Beach, CA (US) 90278

* cited by examiner

(**) Term: **14 Years**

Primary Examiner—Daniel Bui
(74) *Attorney, Agent, or Firm*—Trojan Law Offices

(21) Appl. No.: **29/248,284**

(57) **CLAIM**

(22) Filed: **Aug. 7, 2006**

The ornamental design for a breakout for cable assembly, as shown and described.

(51) **LOC (8) Cl.** **13-03**

(52) **U.S. Cl.** **D13/154; D13/147**

(58) **Field of Classification Search** D13/133,
D13/146–147, 153–154, 184, 199; 439/350,
439/352, 447, 582–583, 694, 607–610, 660,
439/677, 680–682

See application file for complete search history.

DESCRIPTION

FIG. 1 is rear and left side perspective view of a breakout for cable assembly, showing my new design;

FIG. 2 is a front and right side perspective view thereof;

FIG. 3 is rear and right side perspective view thereof;

FIG. 4 is a front and left side perspective view thereof;

FIG. 5 is a top plan view thereof;

FIG. 6 is a rear elevation view thereof;

FIG. 7 is a side elevation view thereof; and,

FIG. 8 is a front elevation view thereof.

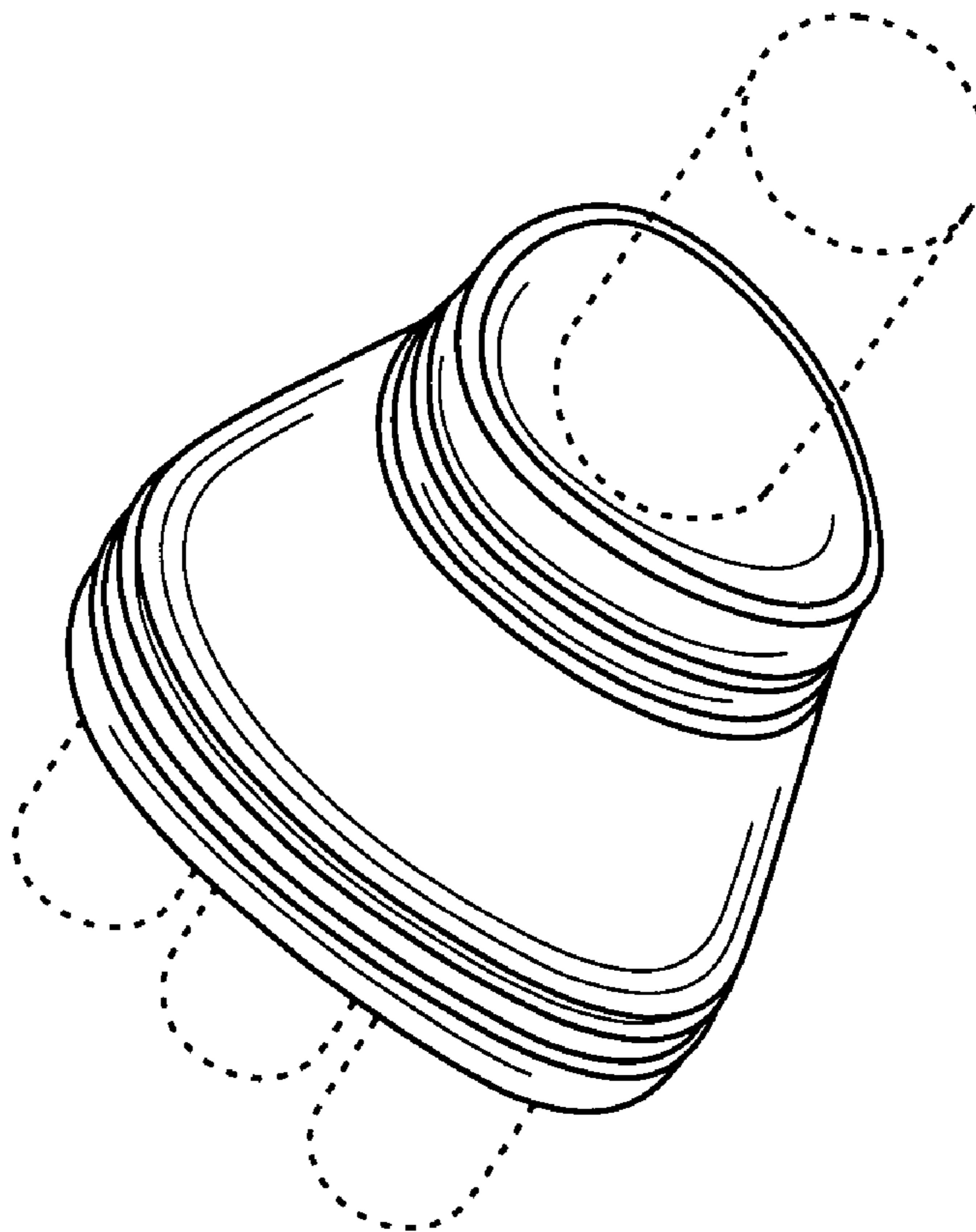
The broken line showing of the environment is for illustrative purposes only and forms no part of the claimed design.

(56) **References Cited**

U.S. PATENT DOCUMENTS

D287,241 S *	12/1986	Mow	D13/133
D332,251 S *	1/1993	Meinel	D13/133
D347,208 S *	5/1994	Martin et al.	D13/133
D387,733 S *	12/1997	Lee	D13/147
D392,942 S *	3/1998	Lee	D13/147
D424,016 S *	5/2000	Gipson et al.	D13/133
D429,218 S *	8/2000	Lee	D13/147
D438,510 S *	3/2001	Leen	D13/146

1 Claim, 4 Drawing Sheets



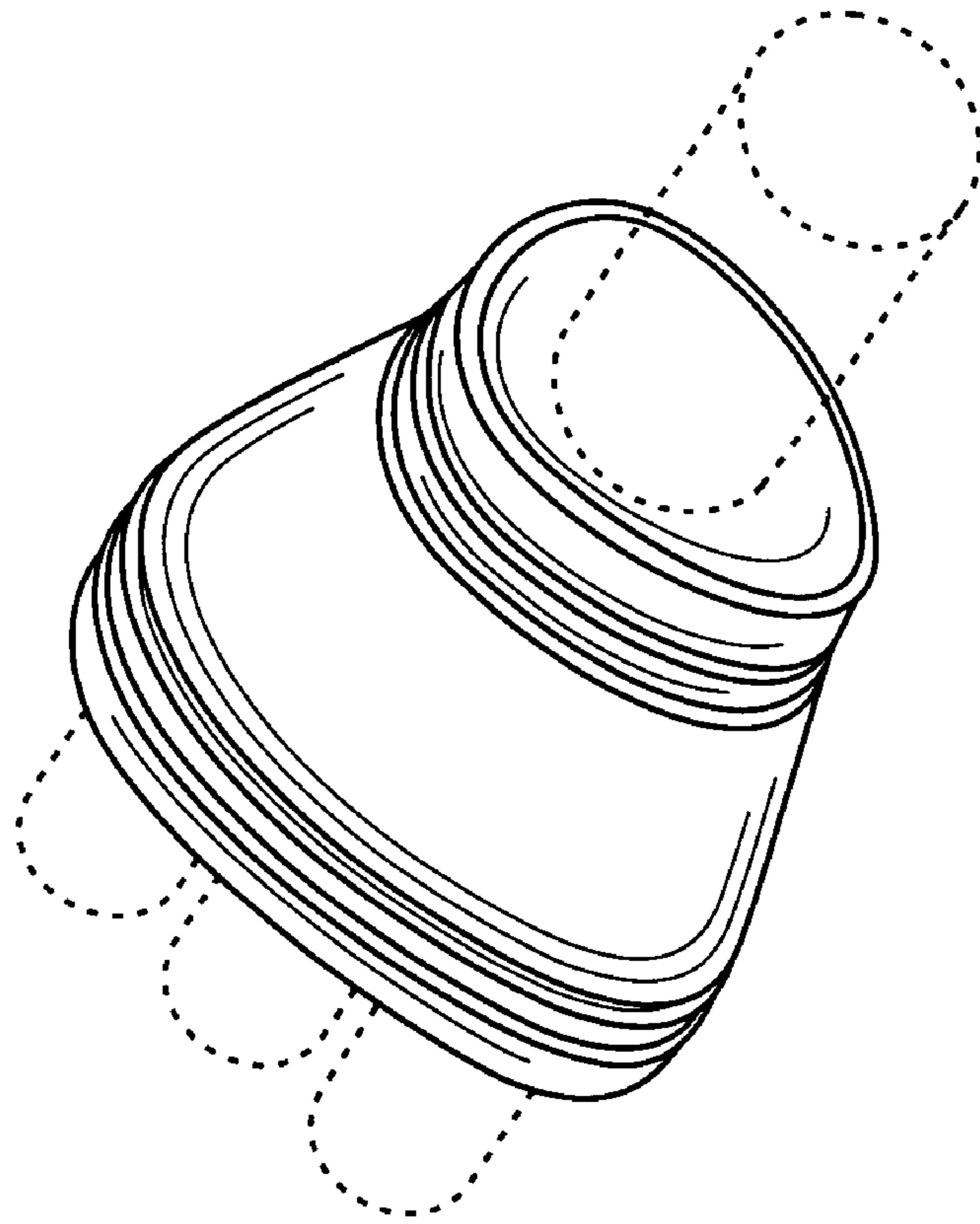


FIG. 1

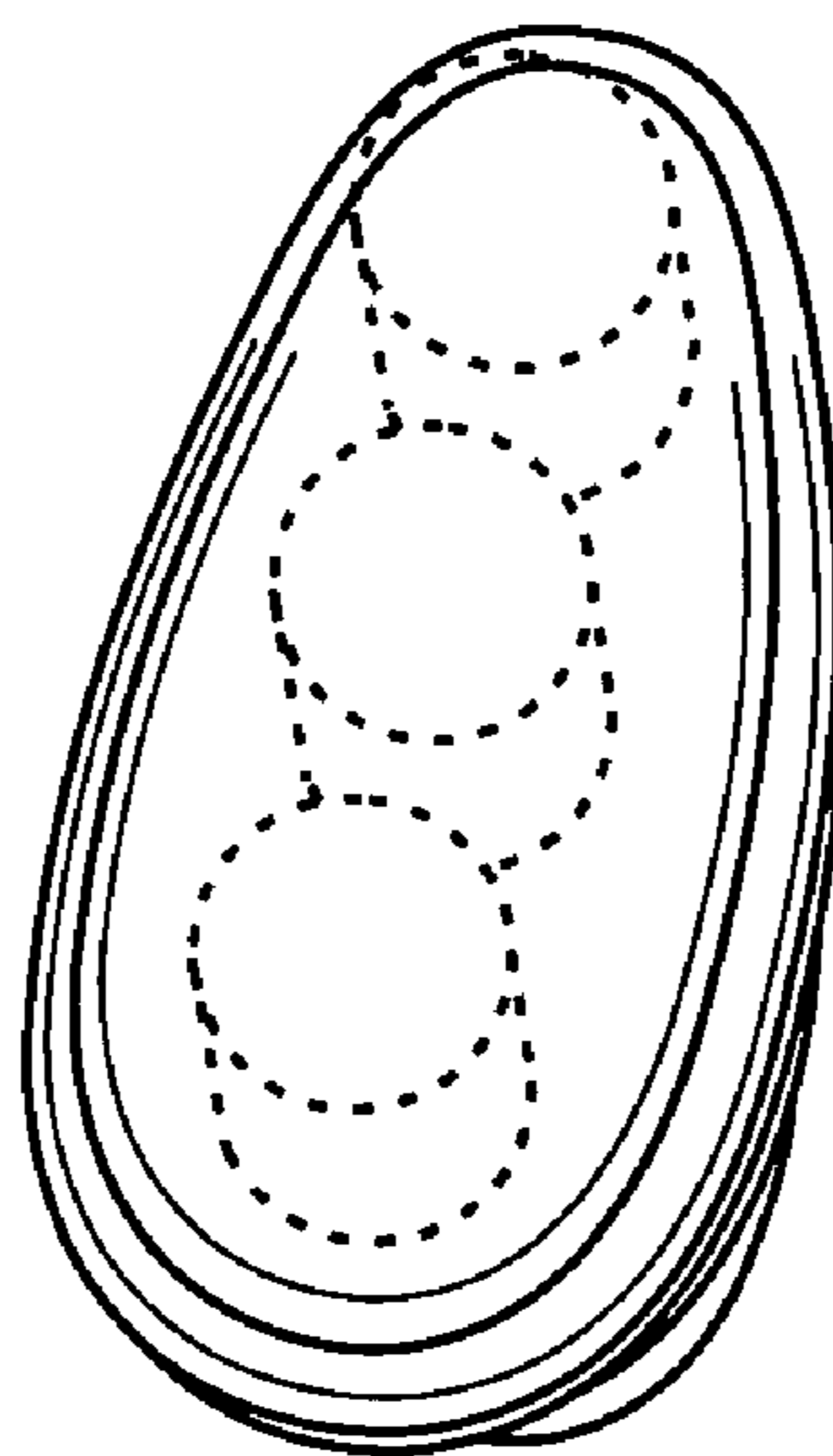


FIG. 2

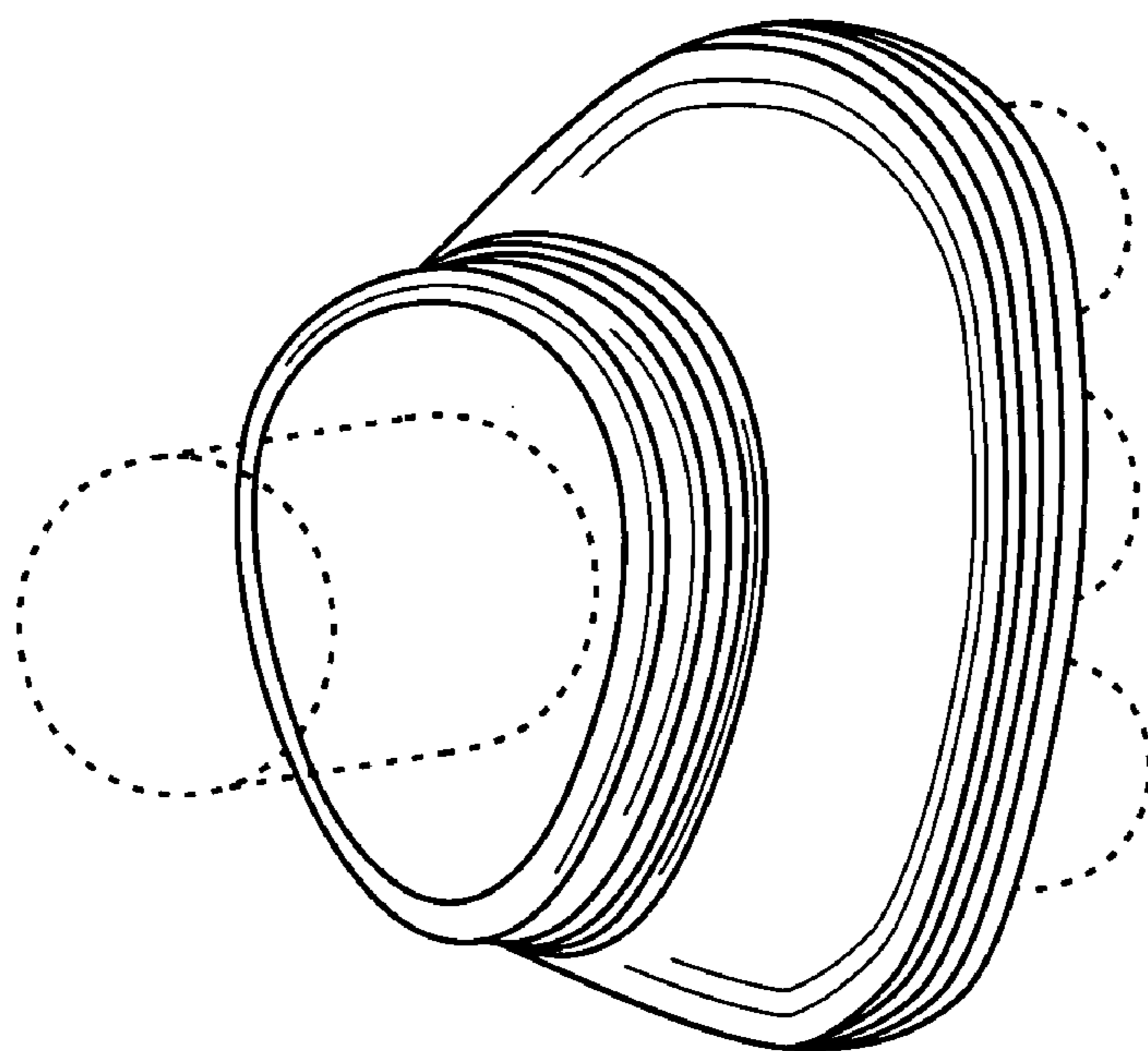


FIG. 3

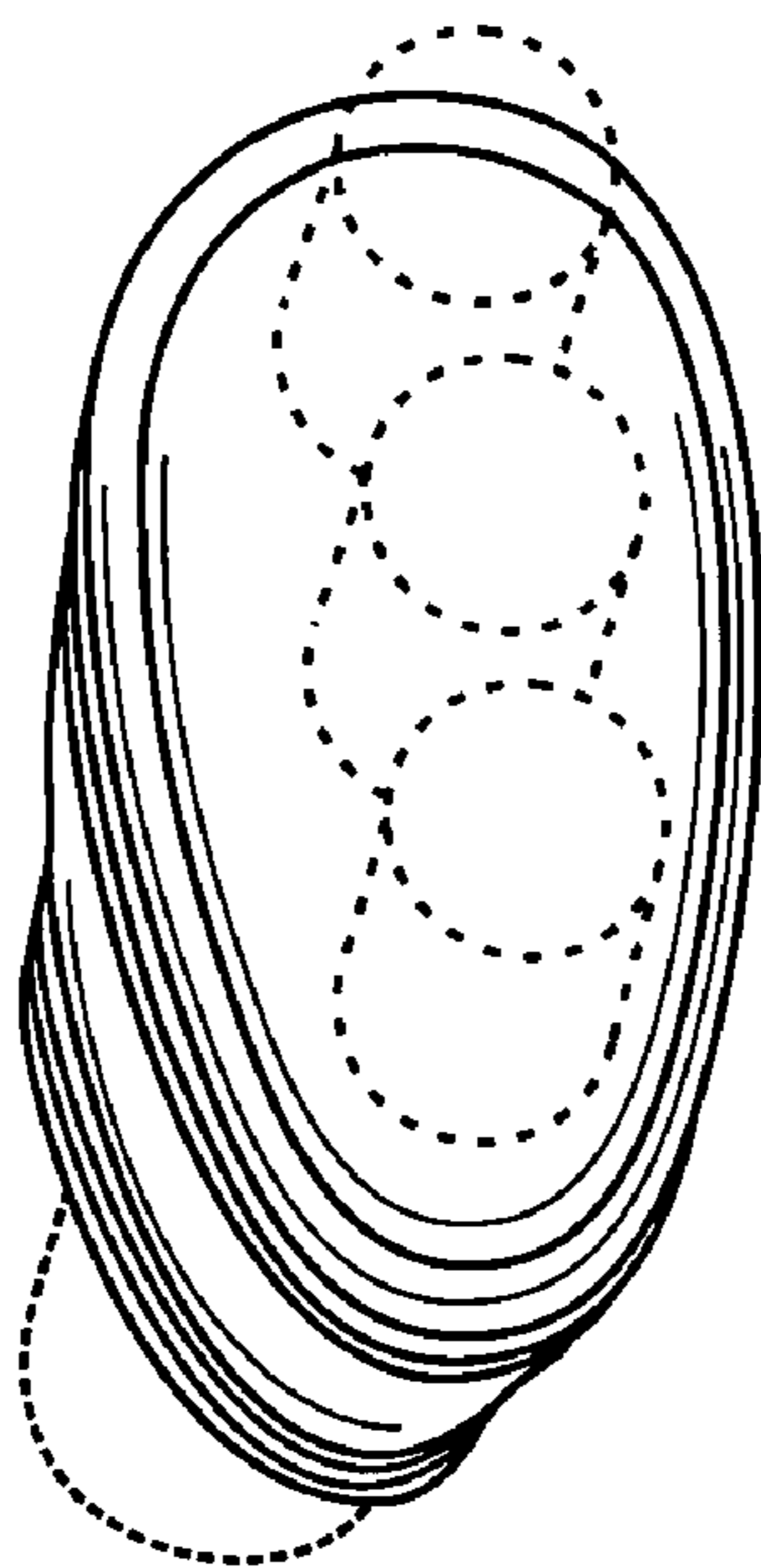


FIG. 4

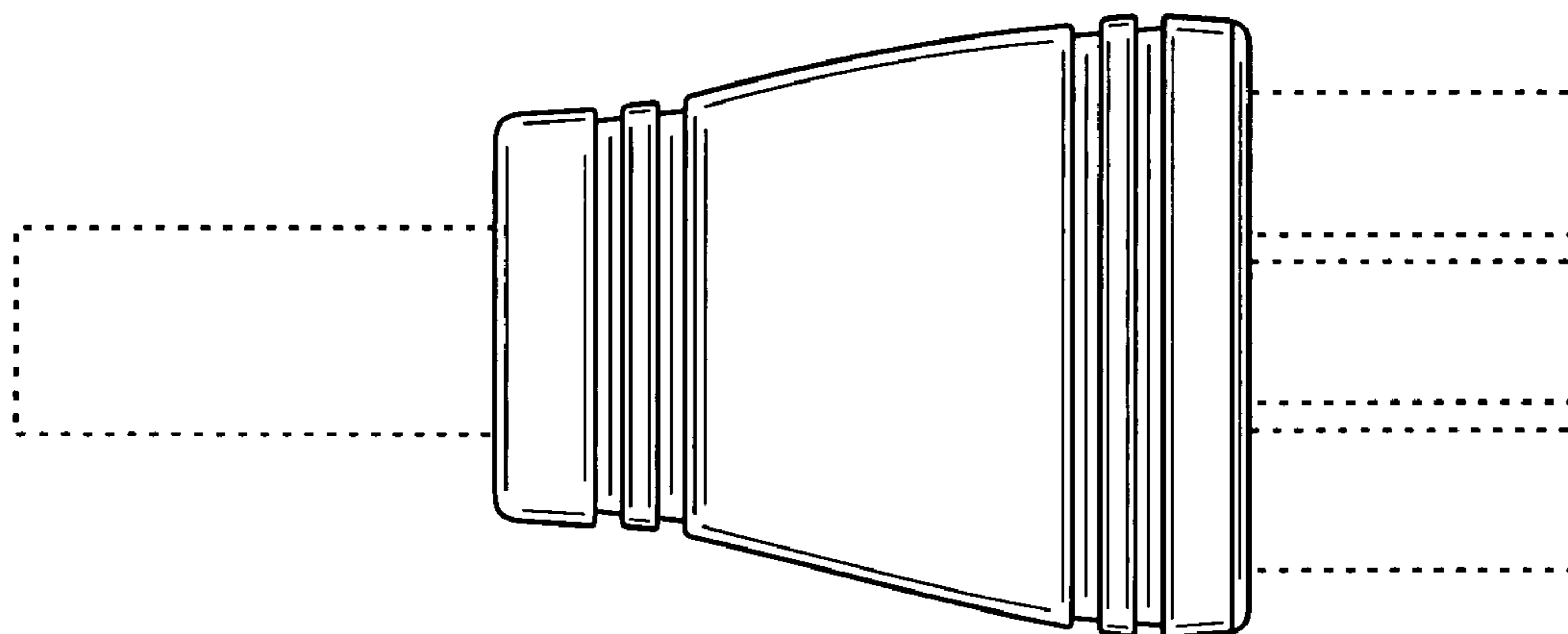


FIG. 5

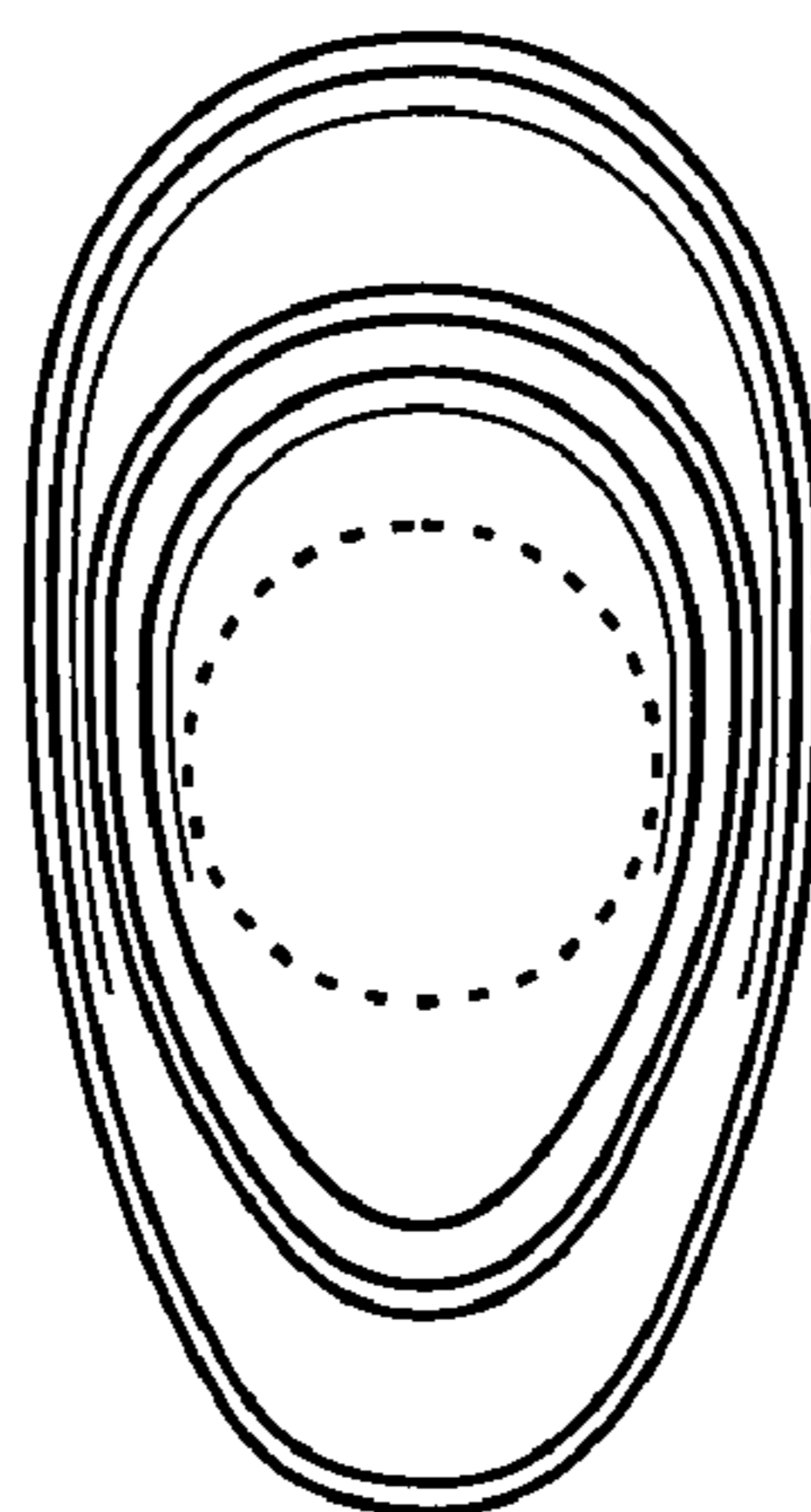


FIG. 6

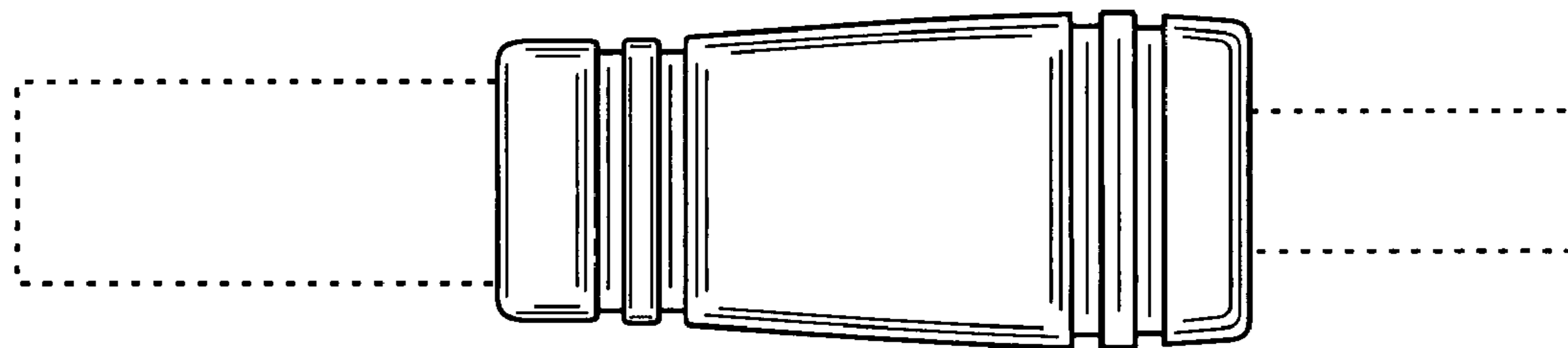


FIG. 7

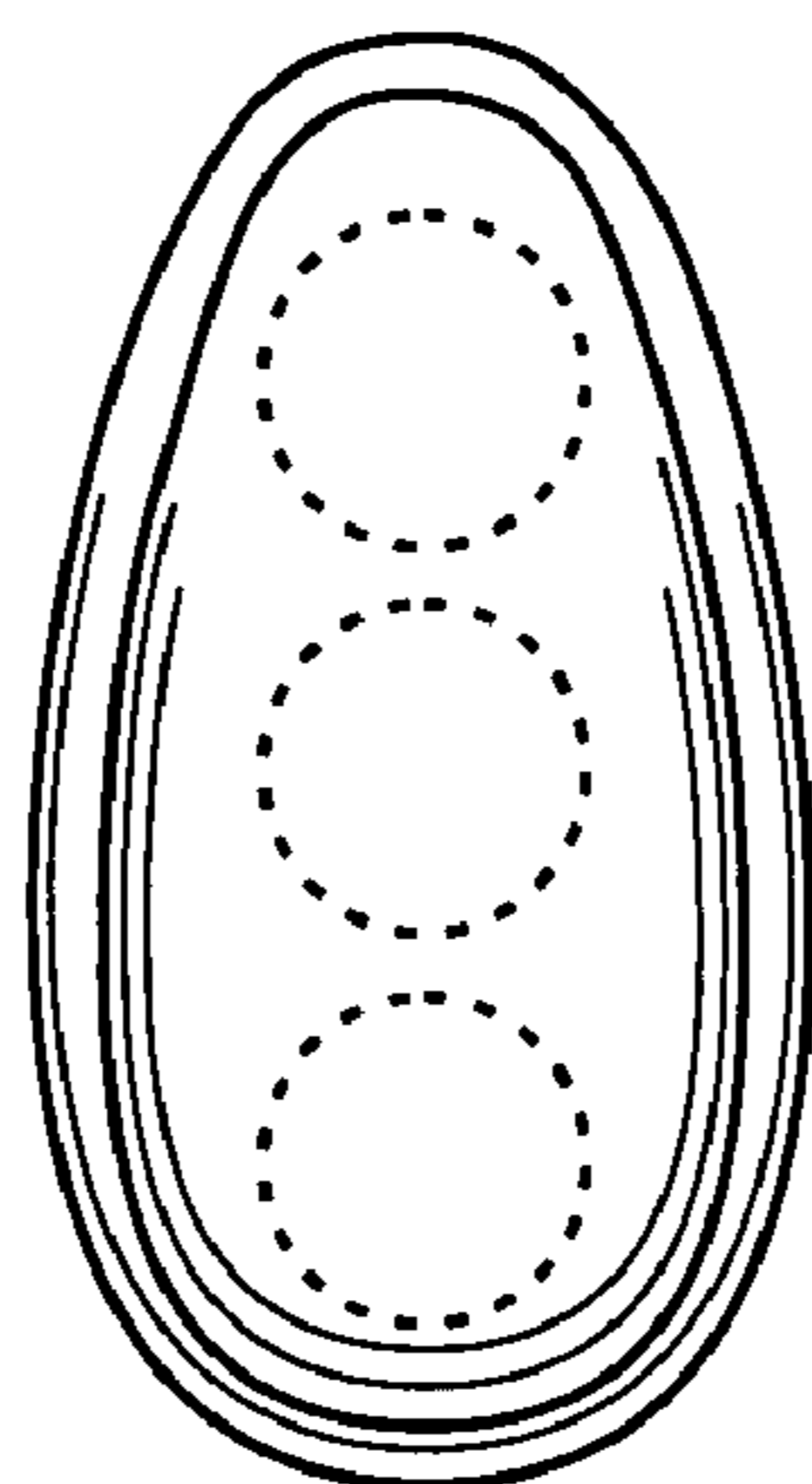


FIG. 8