



US00D554590S

(12) **United States Design Patent** (10) **Patent No.:** **US D554,590 S**
Vasarhelyi et al. (45) **Date of Patent:** **** Nov. 6, 2007**

(54) **JUNCTION BOX**

(75) Inventors: **John M. Vasarhelyi**, Cary, NC (US);
Louis F. Teran, Granada Hills, CA
(US); **David S. DeVerter**, Raleigh, NC
(US)

(73) Assignee: **Pentair Water Pool and Spa, Inc.**,
Moorpark, CA (US)

(**) Term: **14 Years**

(21) Appl. No.: **29/241,734**

(22) Filed: **Oct. 31, 2005**

(51) **LOC (8) Cl.** **13-03**

(52) **U.S. Cl.** **D13/152**

(58) **Field of Classification Search** D13/139.4,
D13/152, 156, 184; 174/50, 53-55, 58, 60,
174/66, 67; 220/3.2, 3.3, 3.7-3.9, 241, 242,
220/244, 315; 439/135, 136, 138, 142, 367,
439/373, 535, 536, 537, 541, 892, 893

See application file for complete search history.

(56) **References Cited**

U.S. PATENT DOCUMENTS

1,402,769 A	1/1922	Hirshfeld	
3,168,613 A	2/1965	Palmer	
3,187,085 A	6/1965	Brackett	
3,477,609 A *	11/1969	Winkler, Jr.	220/784
3,624,594 A	11/1971	Trimble et al.	
3,634,799 A	1/1972	Strauch	
3,651,441 A	3/1972	Boudouris	
3,910,448 A	10/1975	Evans et al.	
4,079,880 A *	3/1978	Edwards	220/4.21
4,258,821 A	3/1981	Wendt et al.	
4,339,629 A	7/1982	Stanmore	
D270,232 S *	8/1983	Leong	D8/353
4,536,613 A	8/1985	Gallas	
4,701,014 A	10/1987	Bonicel	
4,818,822 A	4/1989	Yahraus	
4,829,145 A	5/1989	Mitchell et al.	
5,109,603 A	5/1992	Boulanger	
5,171,164 A	12/1992	O'Neil et al.	

D335,650 S *	5/1993	Powell et al.	D13/152
5,382,752 A	1/1995	Reyhan et al.	
D357,899 S *	5/1995	Hopkins et al.	D13/152
5,541,363 A	7/1996	Weise et al.	
D379,970 S *	6/1997	Chambers et al.	D13/156
D411,826 S *	7/1999	Lamar et al.	D13/139.6
D468,701 S *	1/2003	Byrne	D13/156
D499,330 S *	12/2004	Peato	D8/383
D533,510 S *	12/2006	Guercio	D13/152
2002/0185295 A1 *	12/2002	Metcalf	174/53
2006/0223359 A1 *	10/2006	O'Connell et al.	439/373
2007/0095553 A1 *	5/2007	Vasarhelyi et al.	174/50

* cited by examiner

Primary Examiner—M. H. Tung

Assistant Examiner—Rosemary K. Tarcza

(74) *Attorney, Agent, or Firm*—Greenberg Traurig, LLP

(57) **CLAIM**

The ornamental design for a junction box, as shown and described.

DESCRIPTION

FIG. 1 is an upper right perspective view of our new design for a junction box in accordance with the present invention;

FIG. 2 is a front elevational view of the junction box of FIG. 1;

FIG. 3 is a rear elevational view of the junction box of FIG. 1;

FIG. 4 is a left side elevational view of the junction box of FIG. 1;

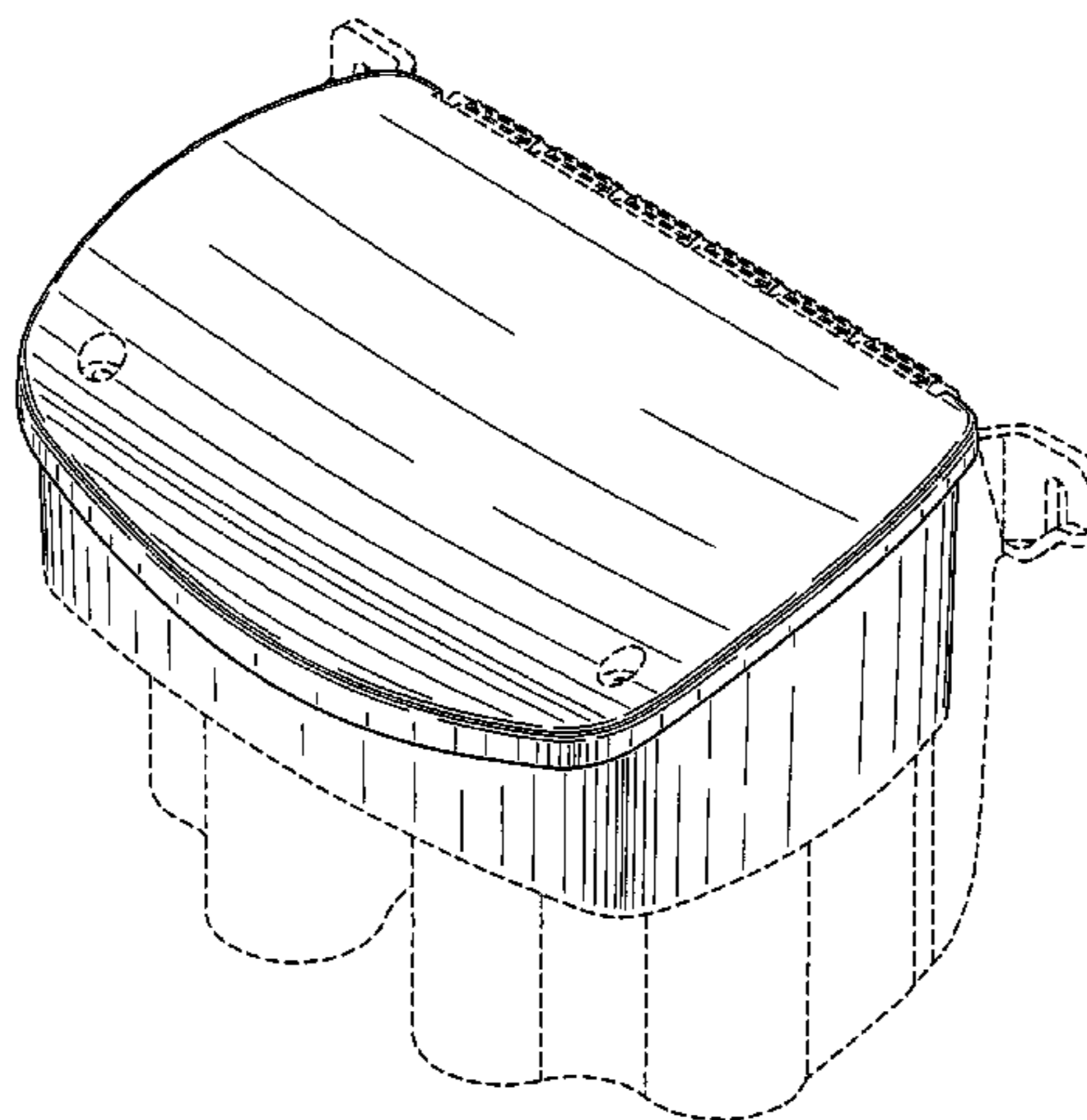
FIG. 5 is a right side elevational view of the junction box of FIG. 1;

FIG. 6 is a top view of the junction box of FIG. 1; and,

FIG. 7 is a bottom view of the junction box of FIG. 1.

The broken lines shown in the figures are for illustrative purposes only and form no part of the claimed design. The unshaded areas shown in the figures likewise form no part of the claimed design.

1 Claim, 6 Drawing Sheets



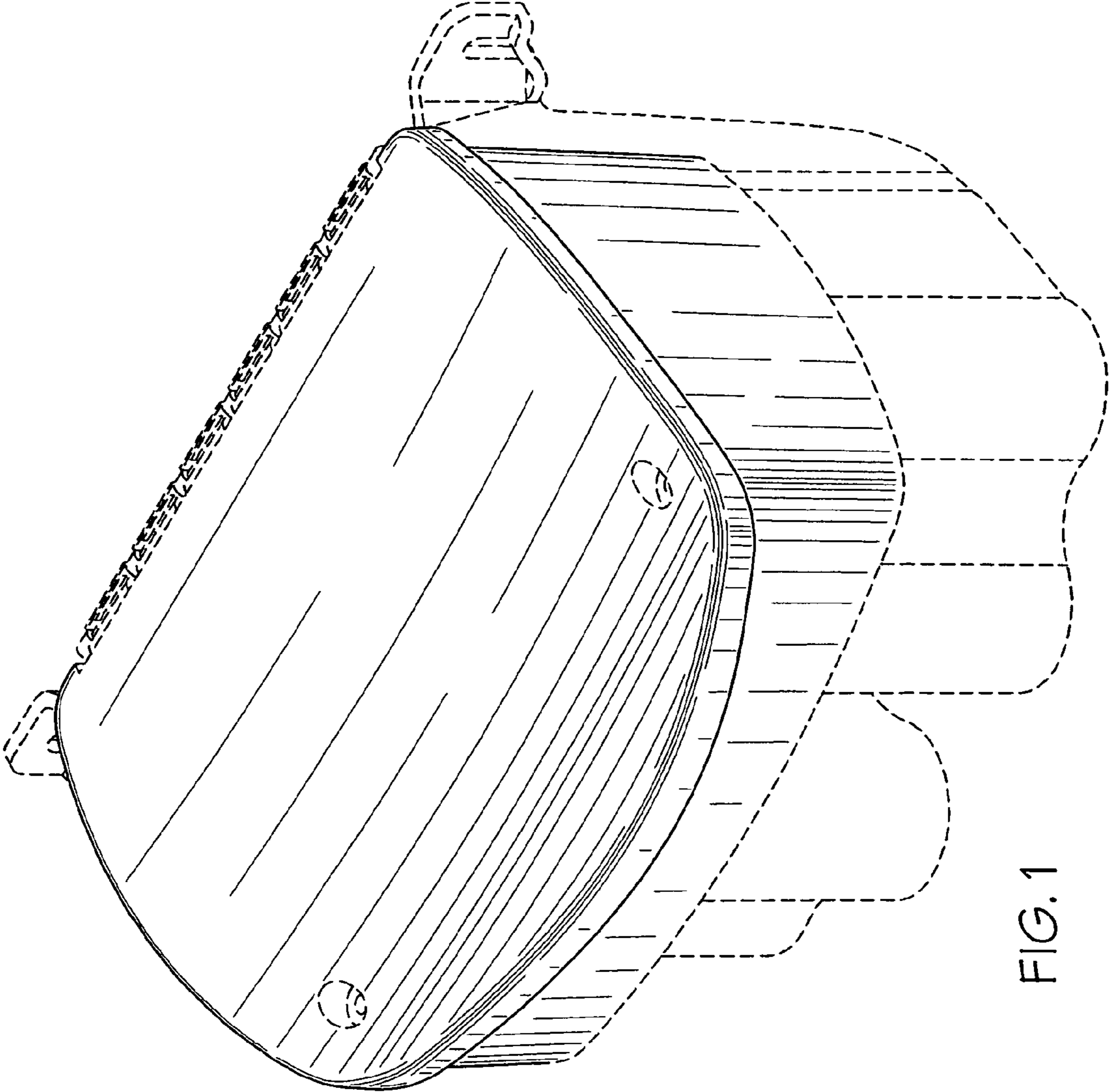


FIG. 1

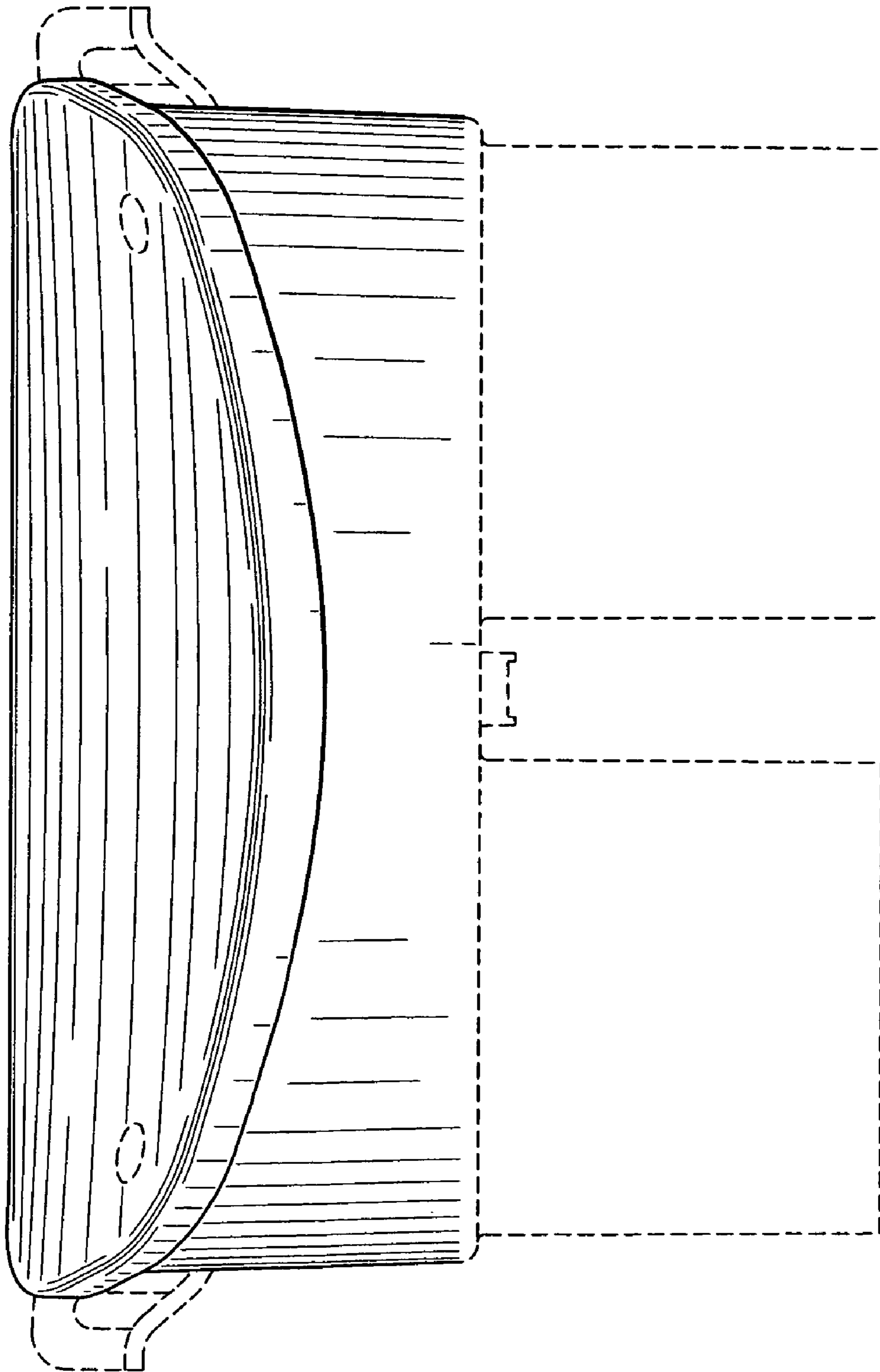


FIG. 2

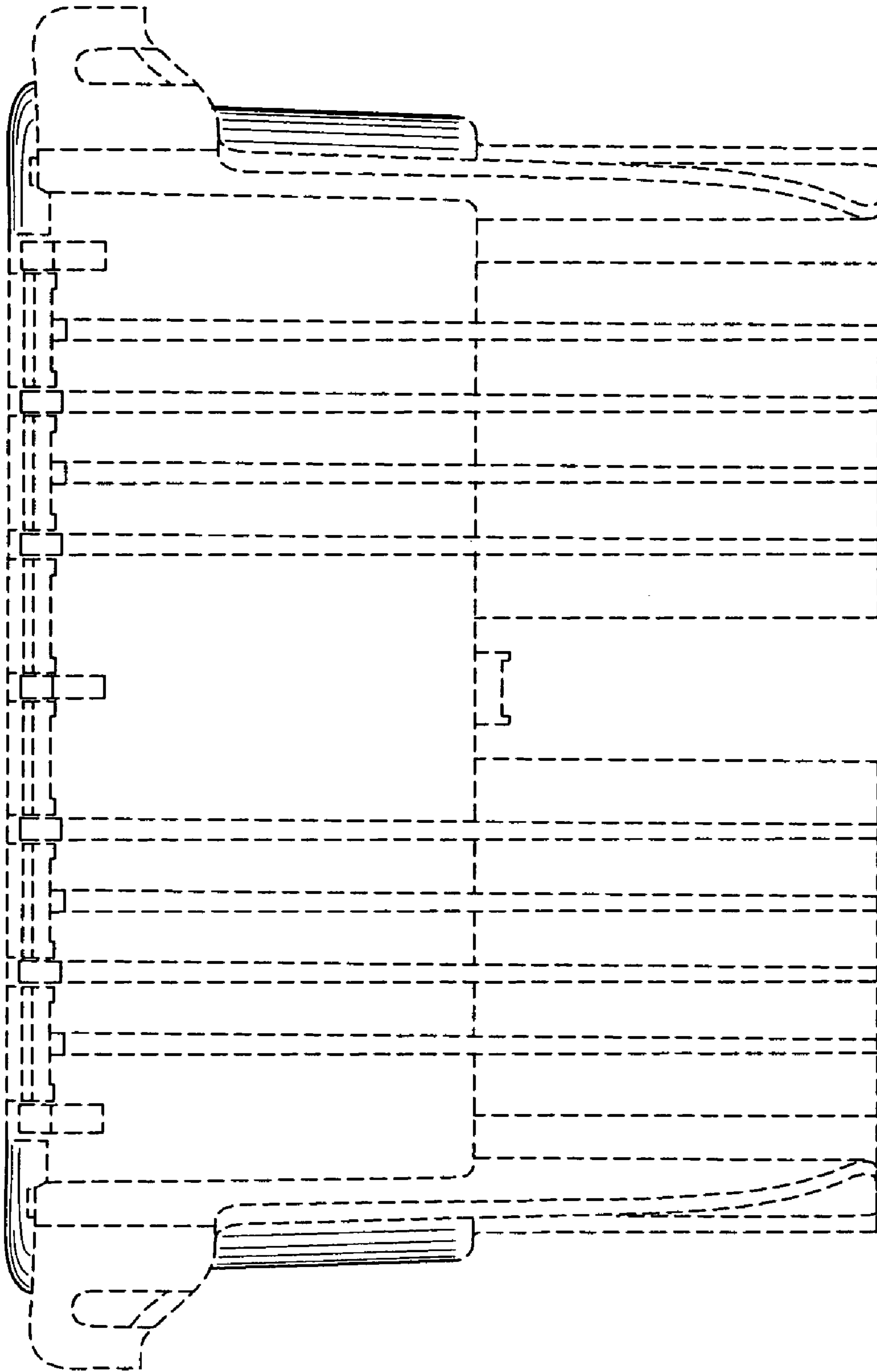


FIG. 3

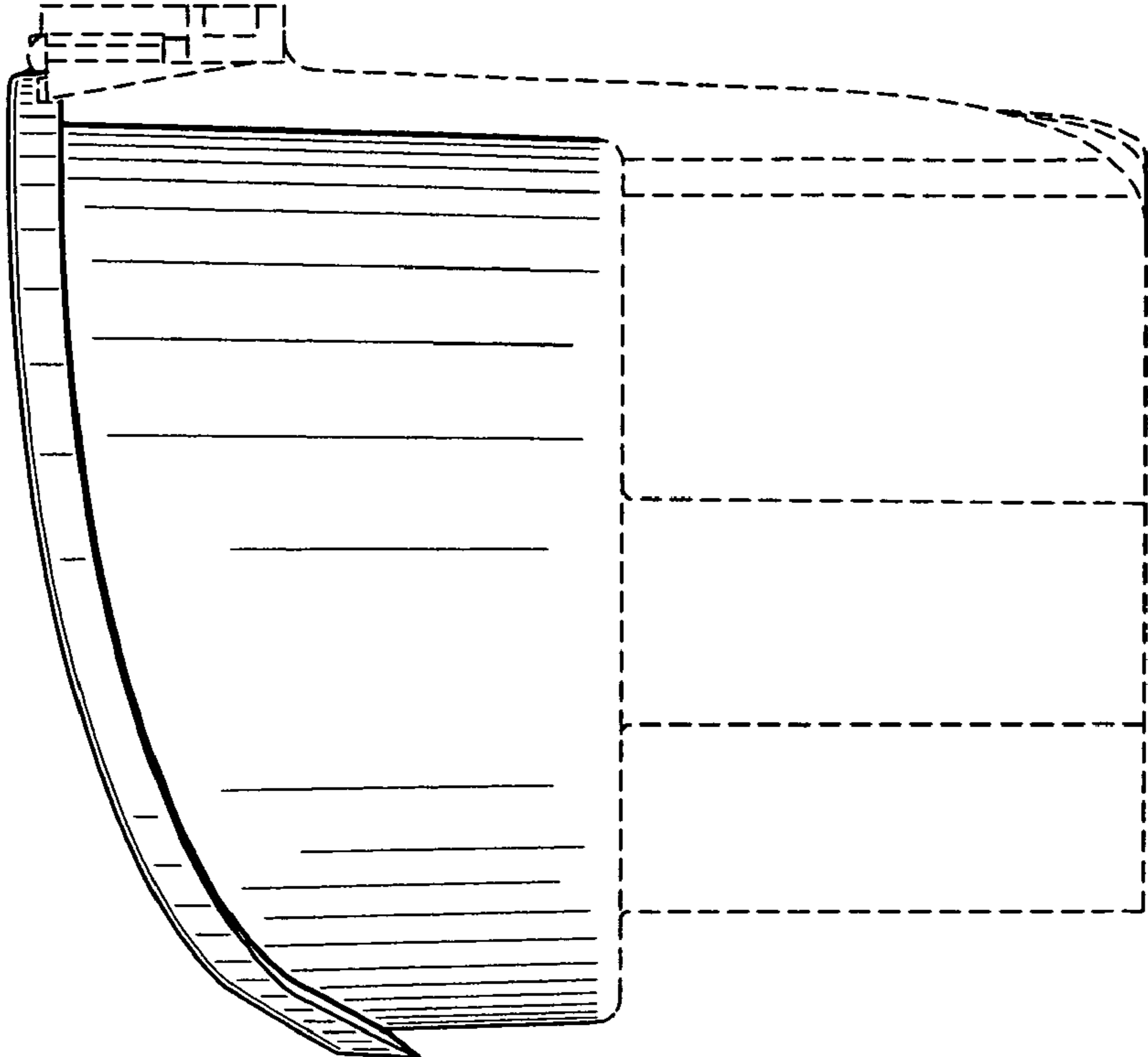


FIG. 5

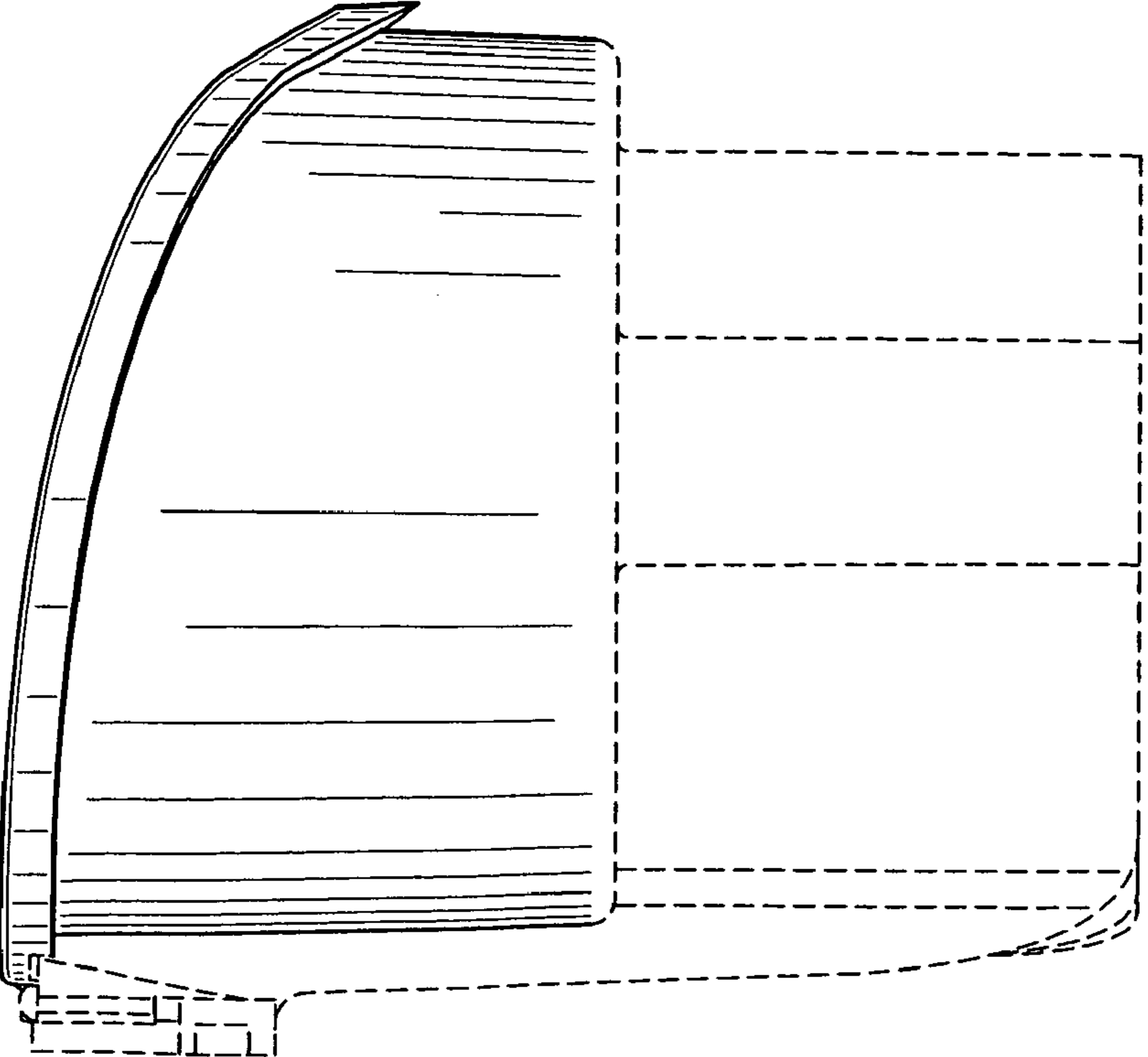


FIG. 4

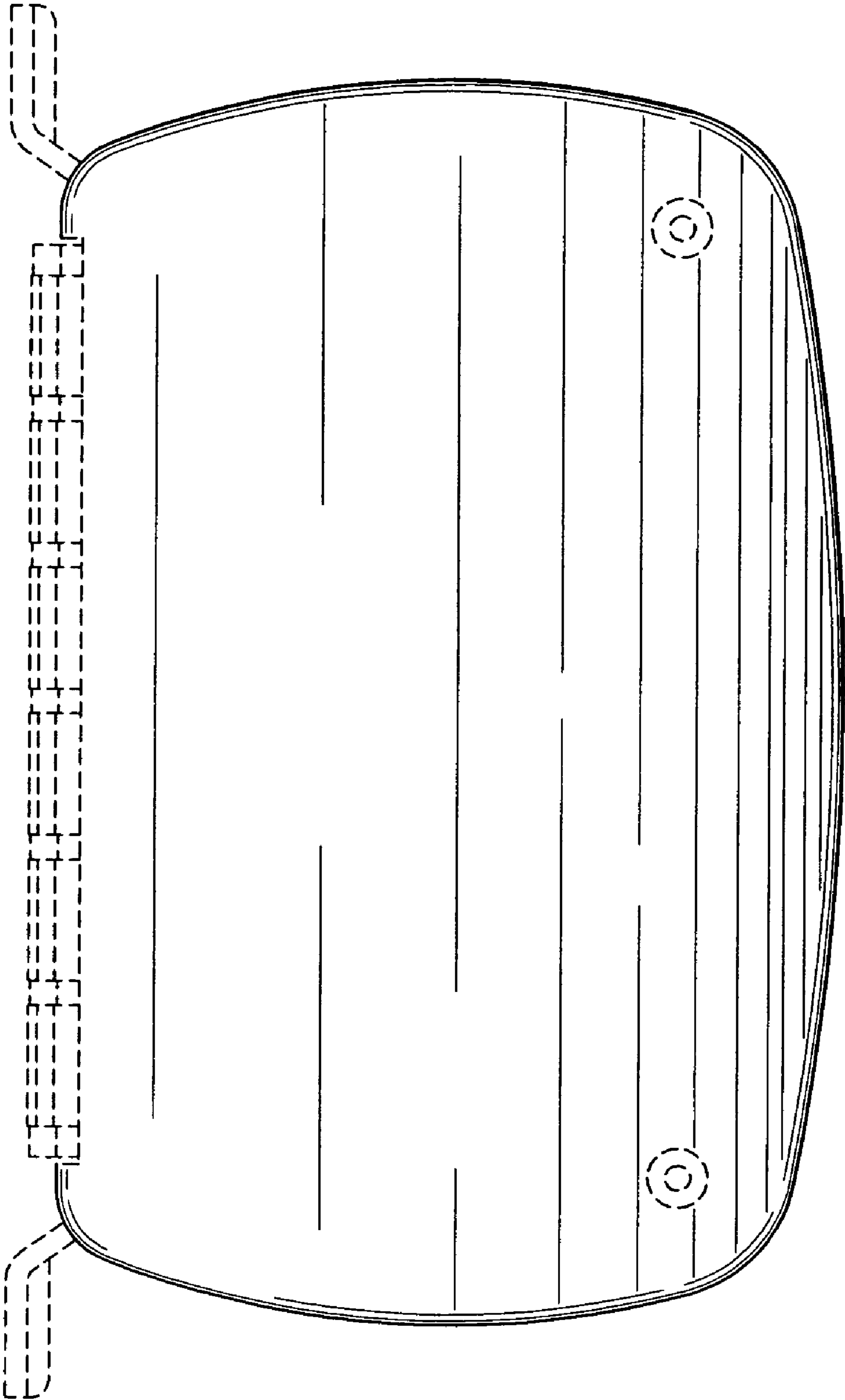


FIG. 6

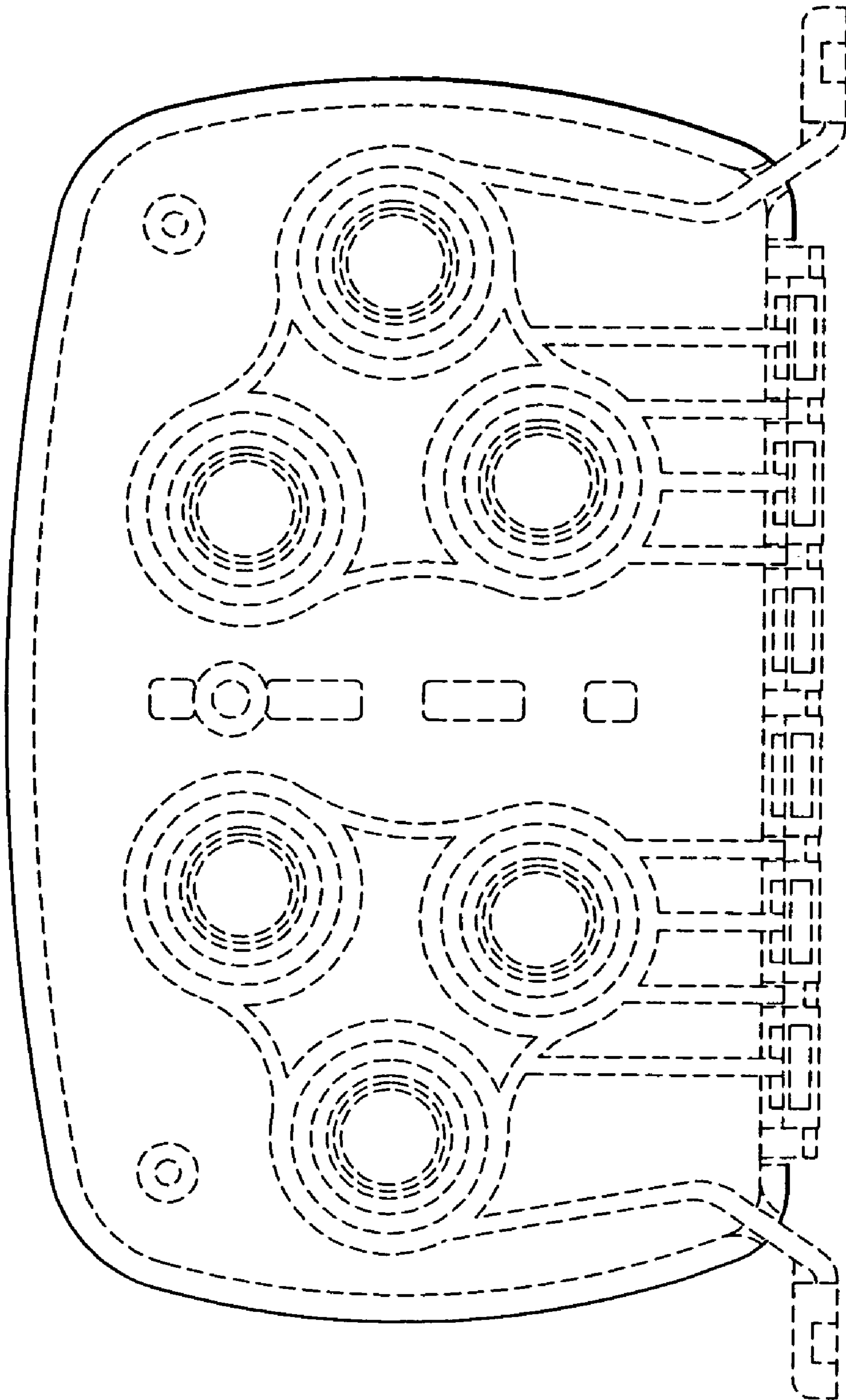


FIG. 7