



US00D554588S

(12) **United States Design Patent**
Lee et al.

(10) **Patent No.:** **US D554,588 S**
(45) **Date of Patent:** **** Nov. 6, 2007**

(54) **FILTER CASE**

(75) Inventors: **Li-O Lee**, Taoyuan Hsien (TW);
Yu-Cheng Chen, Taoyuan Hsien (TW);
Hua-Sheng Shih, Taoyuan Hsien (TW)

(73) Assignee: **Delta Electronics, Inc.**, Taoyuan Hsien (TW)

(**) Term: **14 Years**

(21) Appl. No.: **29/256,483**

(22) Filed: **Mar. 22, 2006**

(30) **Foreign Application Priority Data**

Nov. 23, 2005 (TW) 94307059

(51) **LOC (8) Cl.** **13-03**

(52) **U.S. Cl.** **D13/147**

(58) **Field of Classification Search** D13/133,
D13/146-147, 149, 153, 154, 184, 199; D14/140,
D14/240, 256, 299; 439/606-610, 660, 668,
439/676-677, 682, 692
See application file for complete search history.

(56) **References Cited**

U.S. PATENT DOCUMENTS

6,210,235 B1 * 4/2001 Wu 439/676
D443,859 S * 6/2001 Hogan D13/133

6,428,361 B1 * 8/2002 Imschweiler et al. 439/676
D471,900 S * 3/2003 Saunders et al. D14/240
D474,161 S * 5/2003 Månsson et al. D13/199
D475,996 S * 6/2003 Skulley D14/240
D478,563 S * 8/2003 Brown D14/188
D480,688 S * 10/2003 Lin D13/147

* cited by examiner

Primary Examiner—Daniel Bui

(74) *Attorney, Agent, or Firm*—Birch, Stewart, Kolasch & Birch, LLP

(57) **CLAIM**

The ornamental design for a filter case, as shown and described.

DESCRIPTION

FIG. 1 is a perspective view of a filter case showing our new design;

FIG. 2 is a top plan view thereof;

FIG. 3 is a bottom plan view thereof;

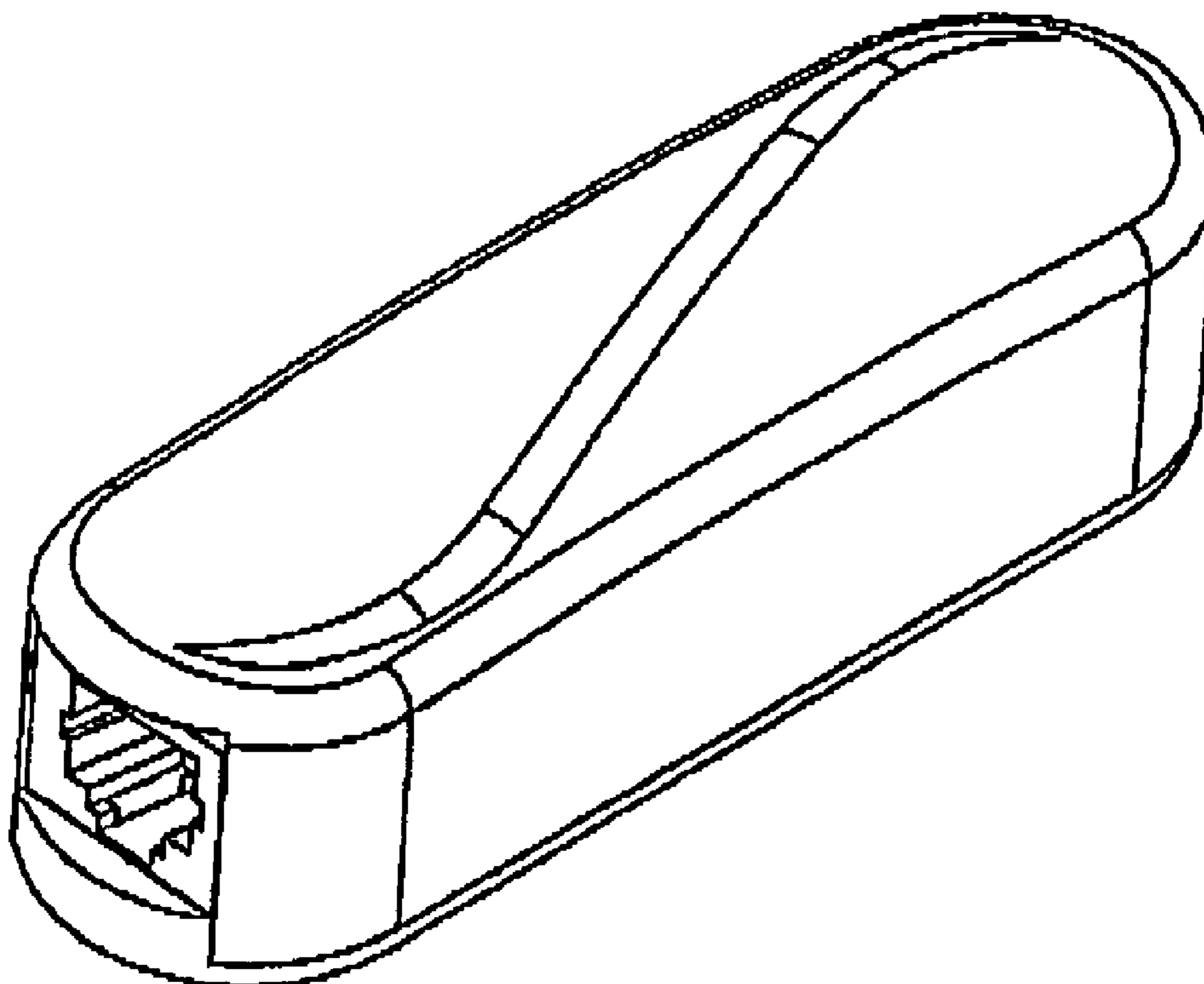
FIG. 4 is a front elevational view thereof;

FIG. 5 is a rear elevational view thereof;

FIG. 6 is a left side view thereof; and,

FIG. 7 is a right side view thereof.

1 Claim, 4 Drawing Sheets



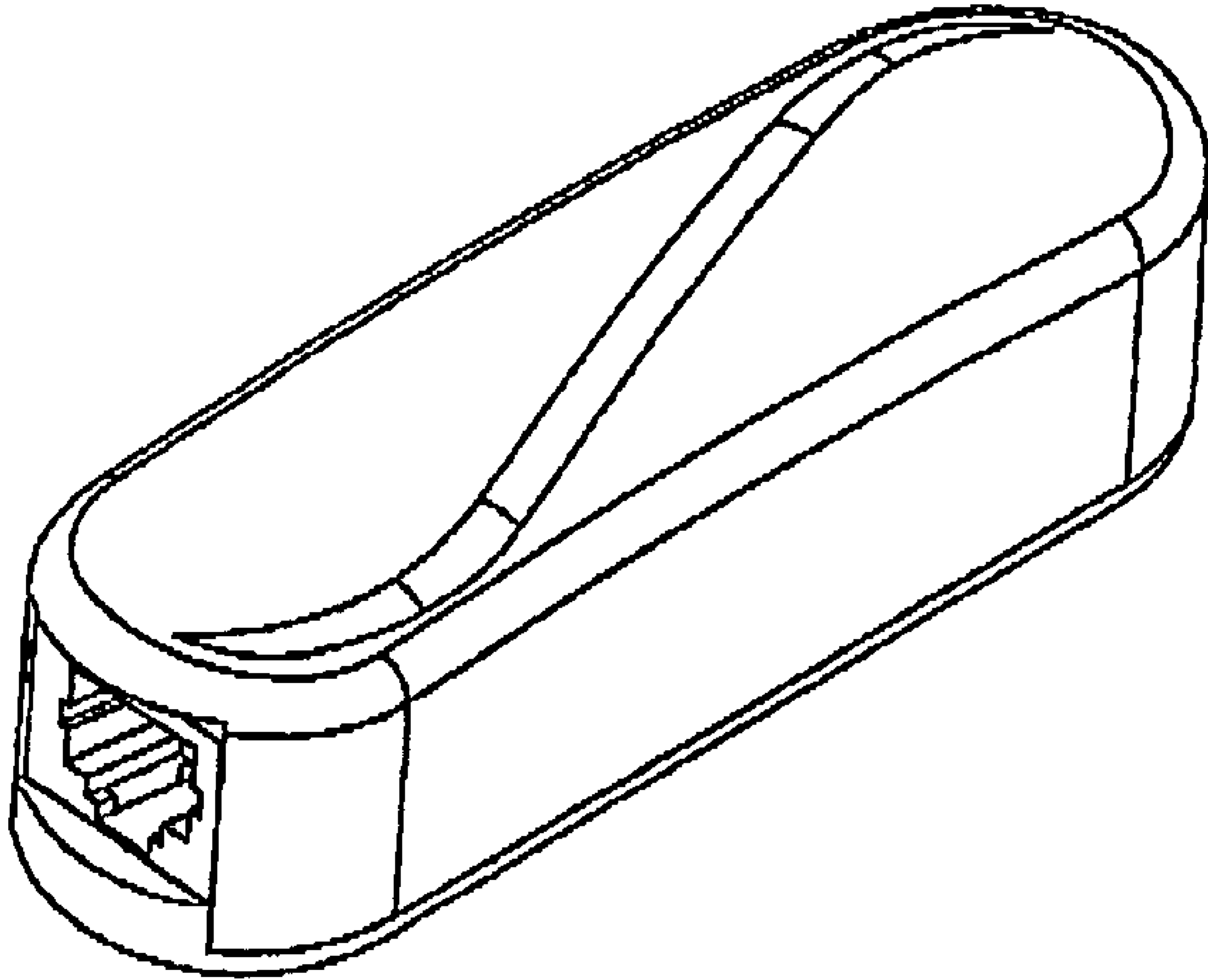


FIG. 1

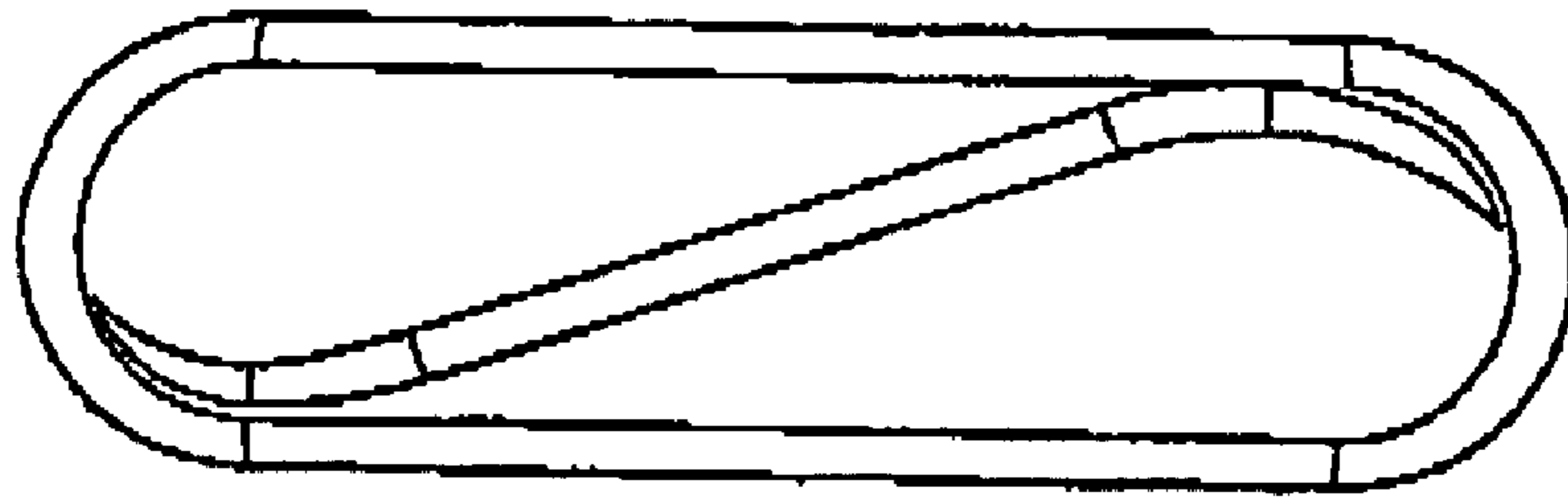


FIG. 2

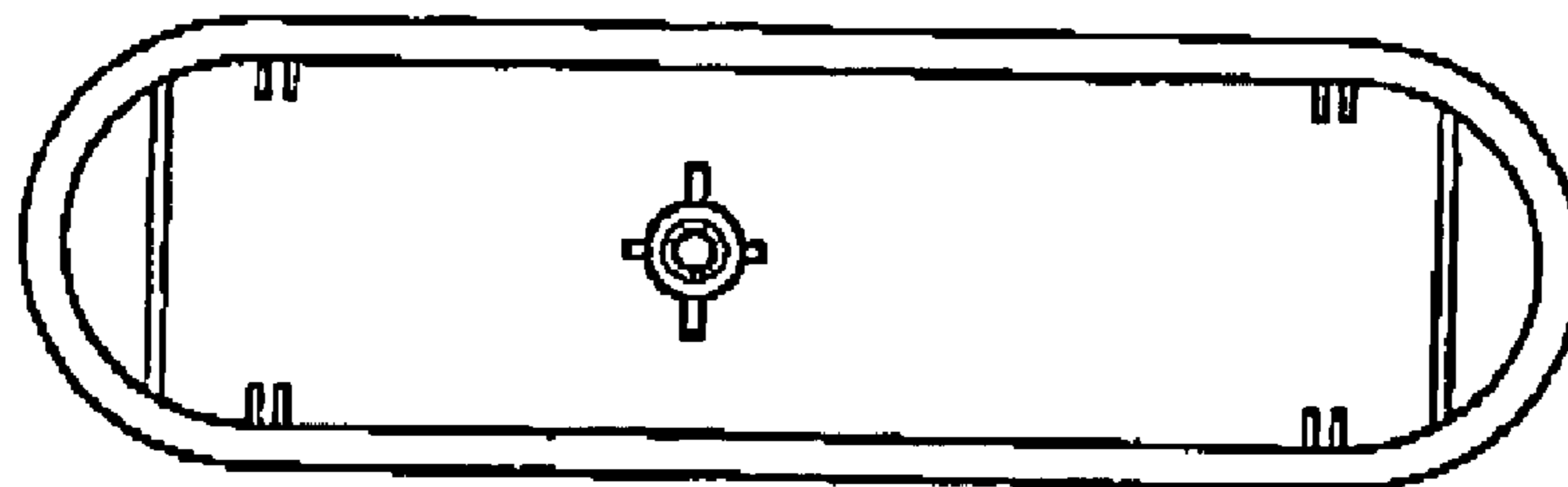


FIG. 3

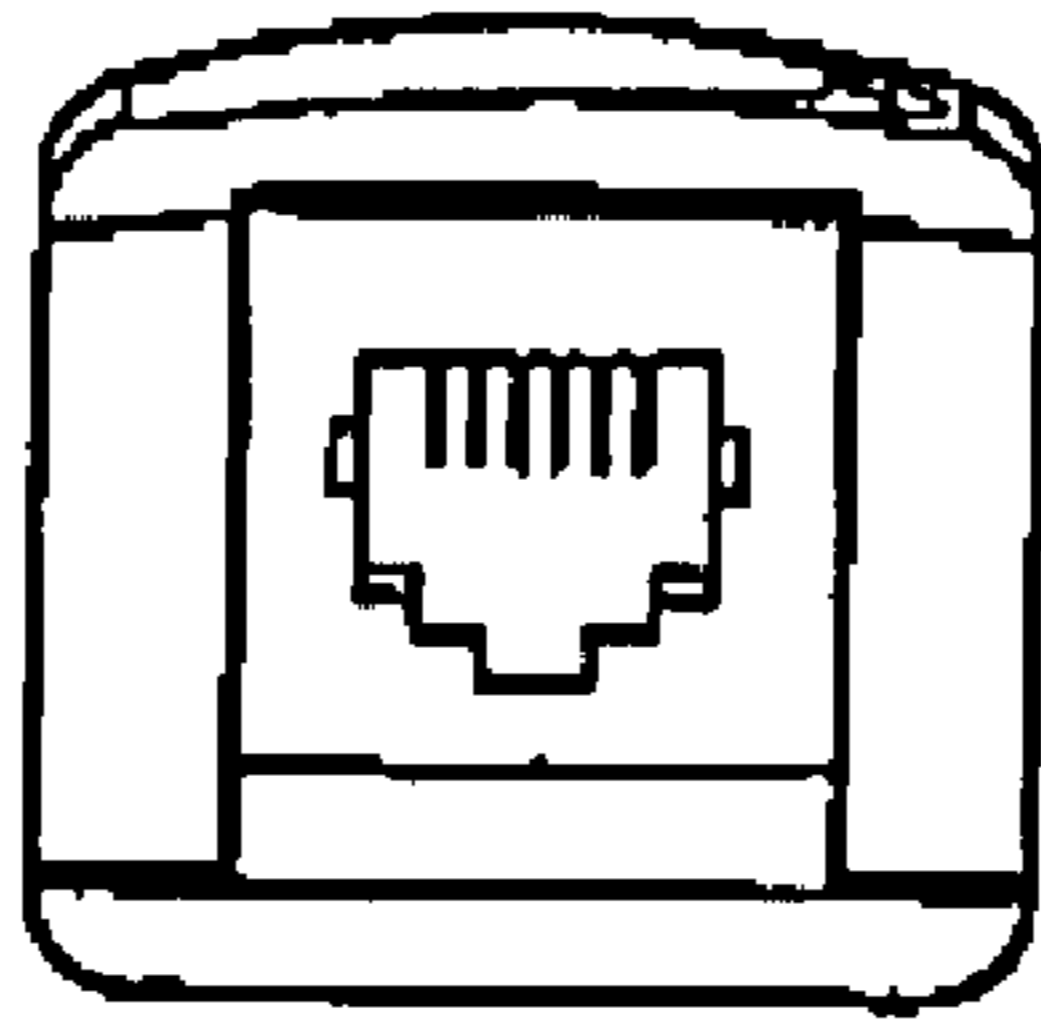


FIG. 4

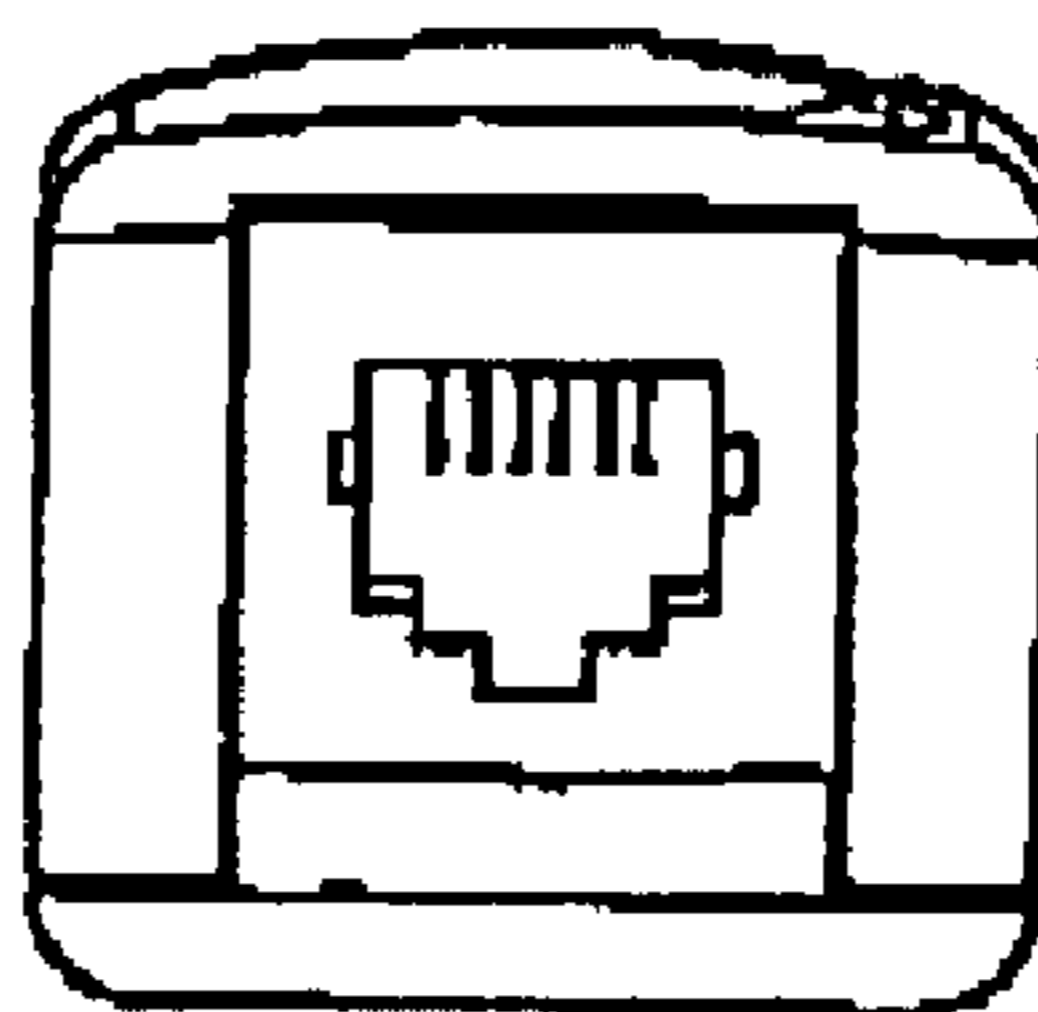


FIG. 5

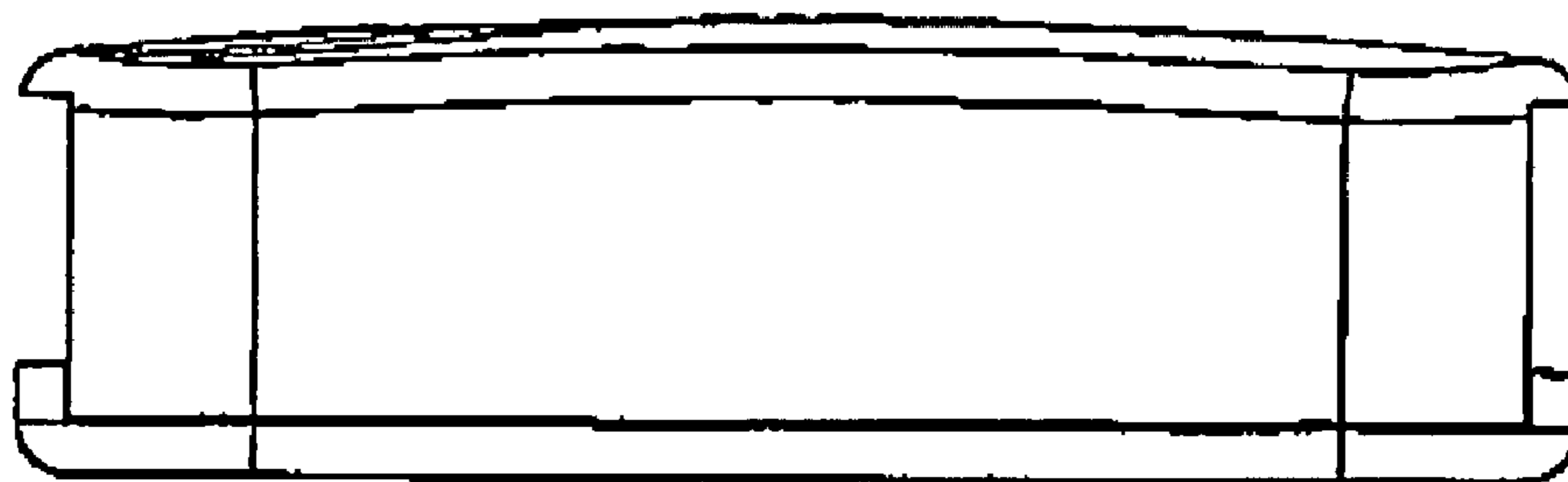


FIG. 6

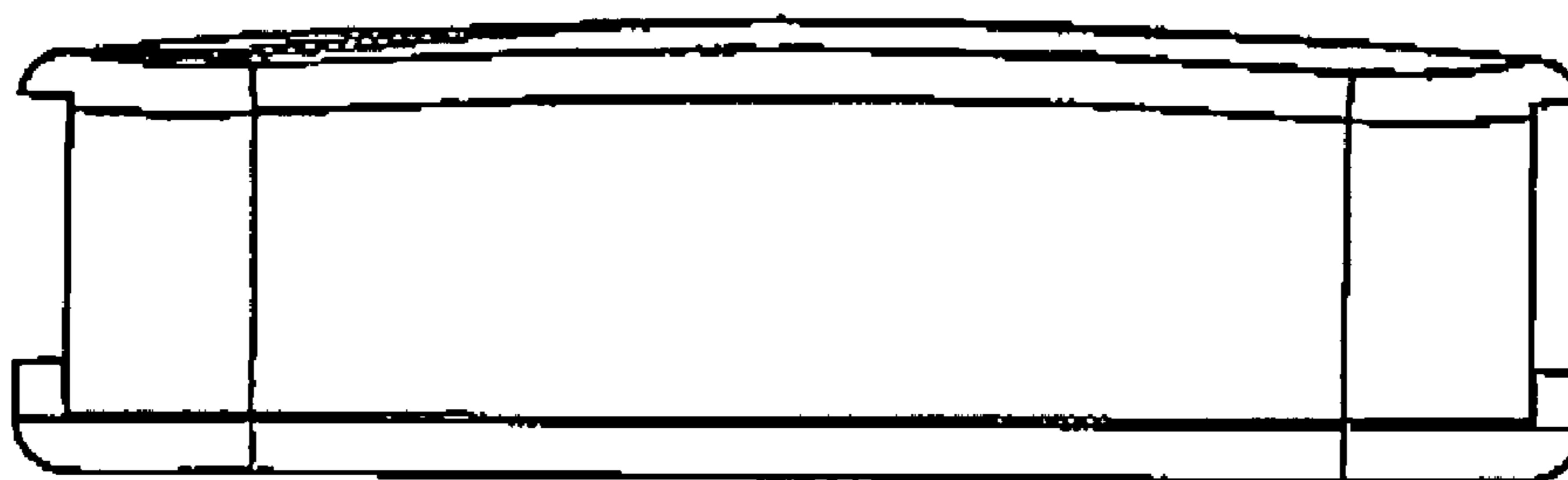


FIG. 7