



US00D554587S

(12) **United States Design Patent**  
**Miyamoto et al.**

(10) **Patent No.:** **US D554,587 S**

(45) **Date of Patent:** **\*\* Nov. 6, 2007**

(54) **CIRCUIT MODULE FOR PROTECTING THE BATTERY**

(75) Inventors: **Yoshiaki Miyamoto**, Atsugi (JP);  
**Osamu Tajima**, Atsugi (JP)

(73) Assignee: **Mitsumi Electric Co., Ltd.**, Tokyo (JP)

(\*\*) Term: **14 Years**

(21) Appl. No.: **29/271,152**

(22) Filed: **Jan. 11, 2007**

(30) **Foreign Application Priority Data**

Jul. 19, 2006 (JP) ..... 2006-018963

(51) **LOC (8) Cl.** ..... **13-03**

(52) **U.S. Cl.** ..... **D13/119**

(58) **Field of Classification Search** ..... D13/102-106,  
D13/110, 118-121, 182, 184; 429/1, 7, 46,  
429/96-100, 163-164, 176; 361/824  
See application file for complete search history.

(56) **References Cited**

**U.S. PATENT DOCUMENTS**

D448,739 S \* 10/2001 Iwasaki et al. .... D13/182  
D515,520 S \* 2/2006 Komoto ..... D13/182

7,037,608 B2 \* 5/2006 Nishimura et al. .... 429/7  
2002/0155339 A1 \* 10/2002 Rudolfovich et al. .... 429/40  
2003/0082441 A1 \* 5/2003 Hovi et al. .... 429/123  
2003/0170530 A1 \* 9/2003 Nishimura et al. .... 429/61

\* cited by examiner

*Primary Examiner*—Cathron C. Brooks

*Assistant Examiner*—Rosemary K. Tarcza

(74) *Attorney, Agent, or Firm*—Sughrue Mion, PLLC

(57) **CLAIM**

The ornamental design for a circuit module for protecting the battery, as shown.

**DESCRIPTION**

FIG. 1 is a perspective view of the top, front and right side of a circuit module for protecting the battery showing our new design;

FIG. 2 is a front elevational view thereof;

FIG. 3 is a rear elevational view thereof;

FIG. 4 is a top plan view thereof;

FIG. 5 is a bottom plan view thereof;

FIG. 6 is a left side elevational view thereof; and,

FIG. 7 is a right side elevational view thereof.

**1 Claim, 4 Drawing Sheets**

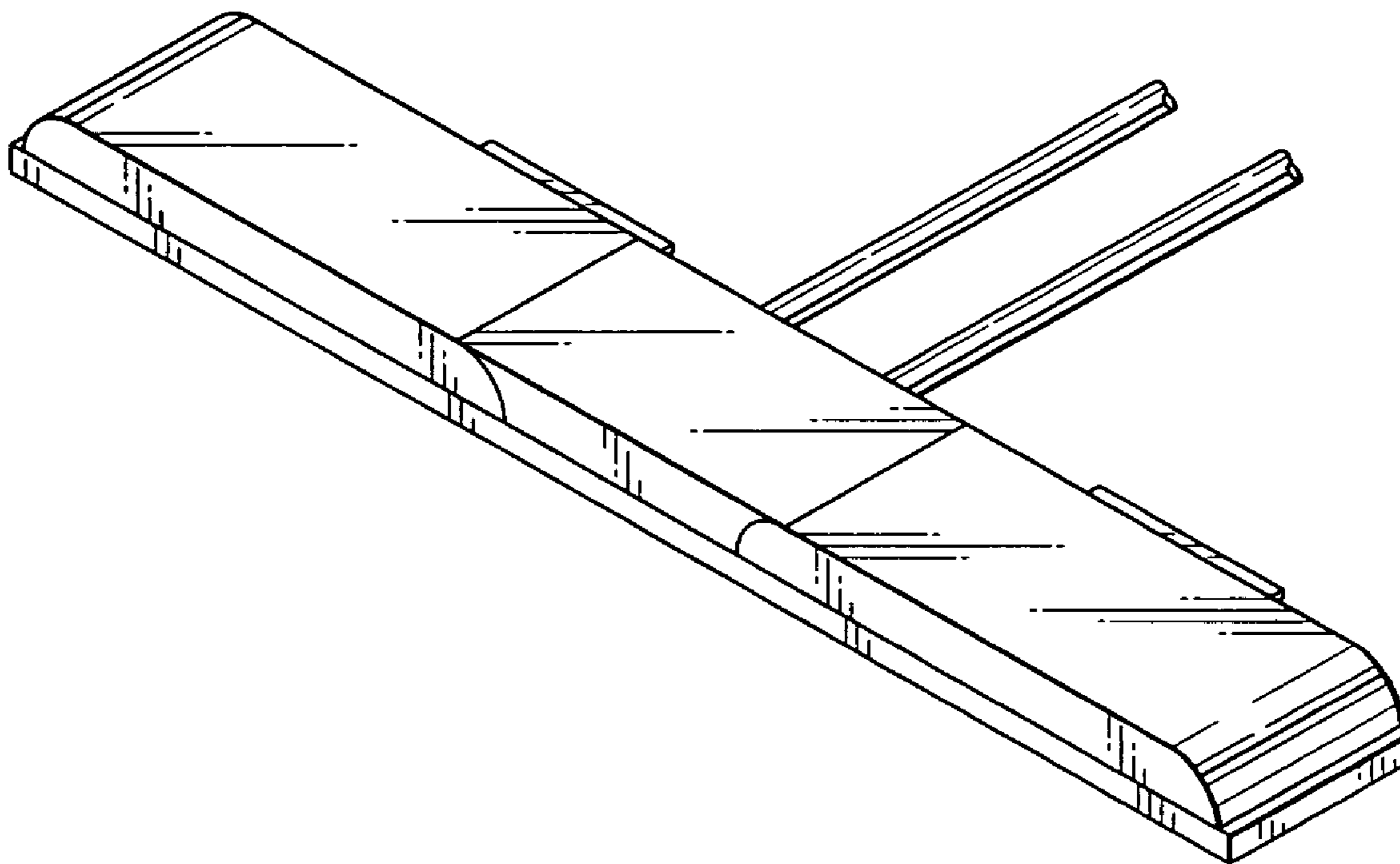


FIG. 1

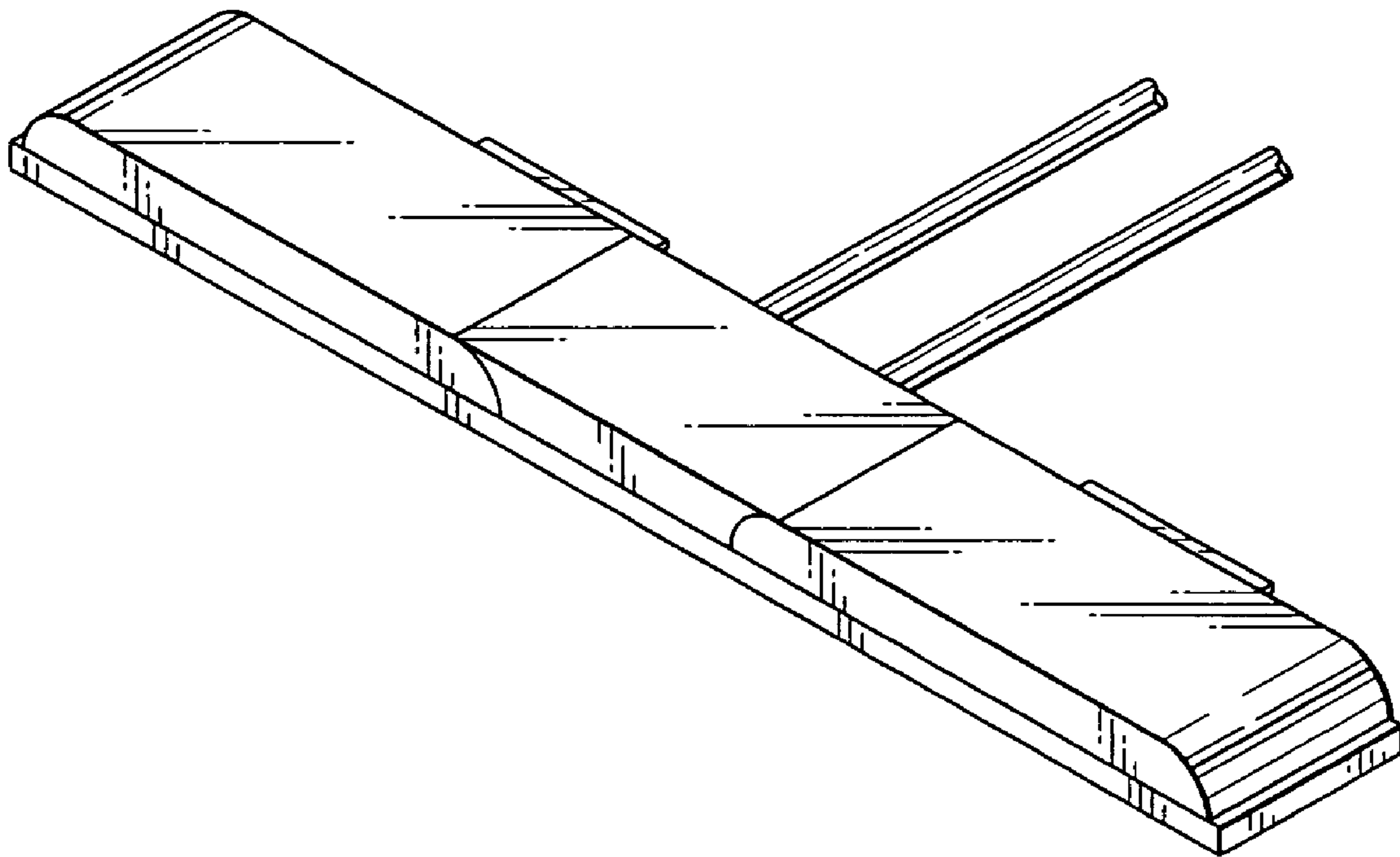


FIG.2



FIG.3

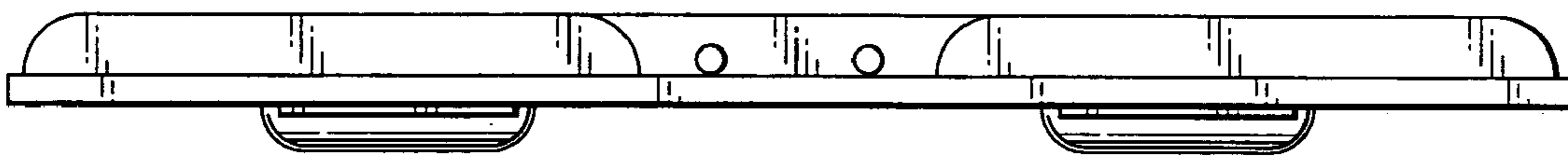


FIG.4

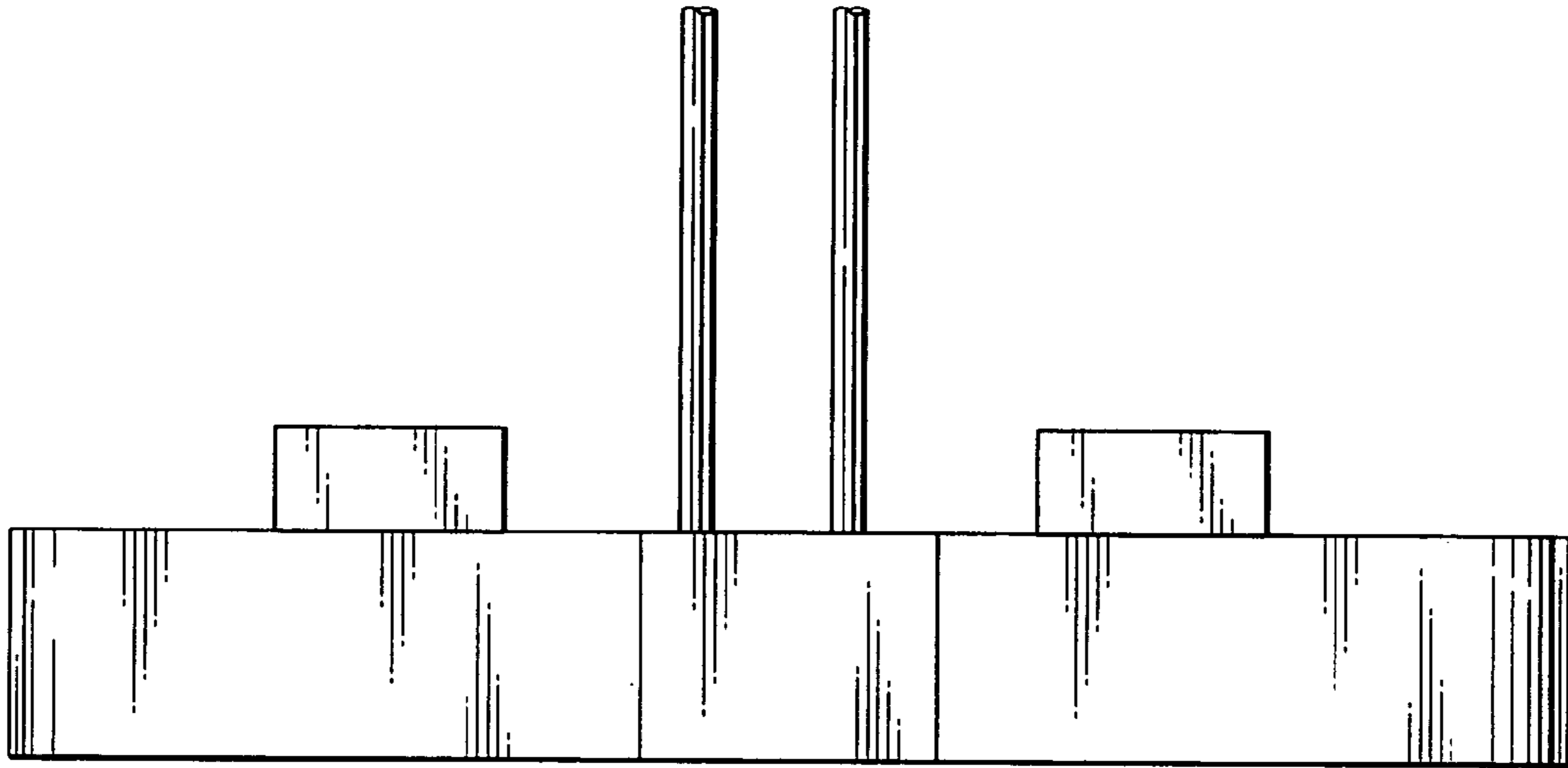


FIG.5

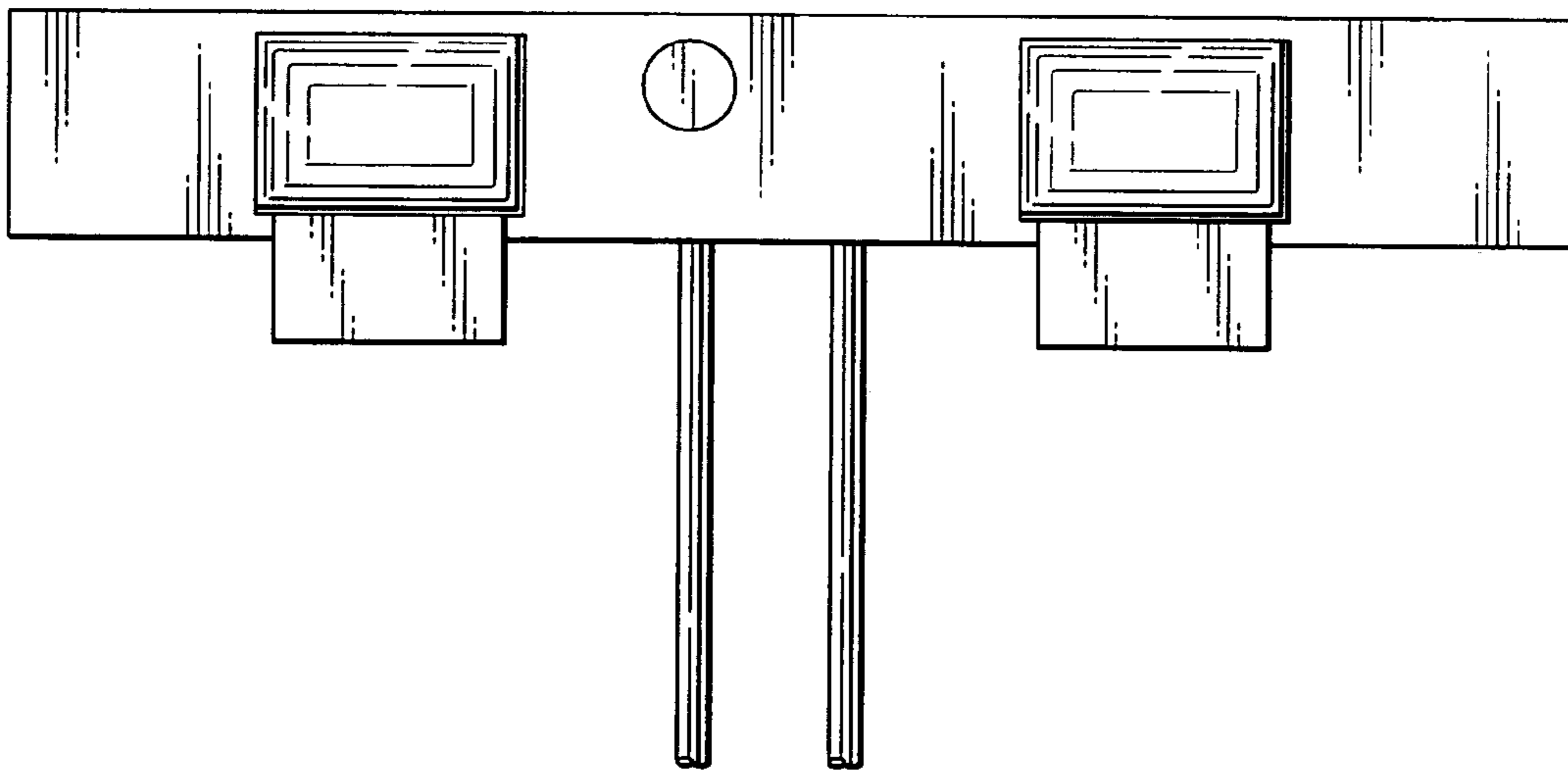


FIG.6

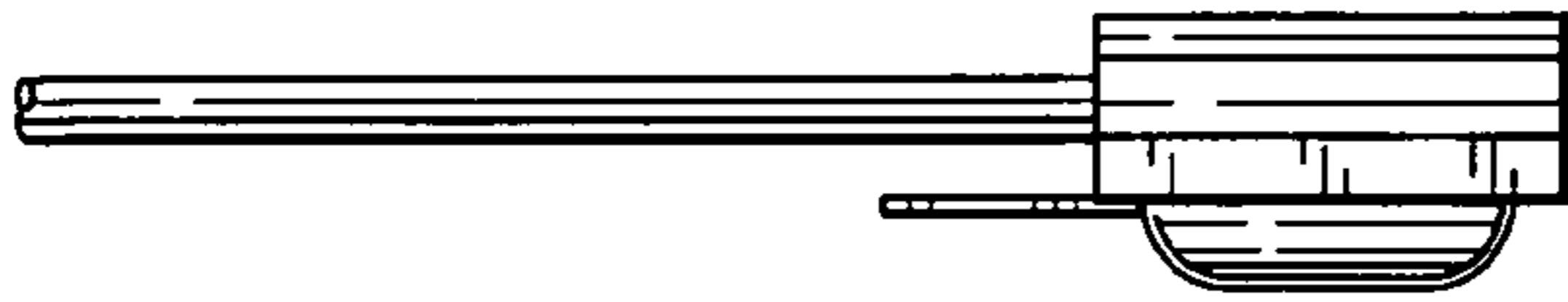


FIG.7

