



US00D554586S

(12) **United States Design Patent**
Vrielink

(10) **Patent No.:** **US D554,586 S**

(45) **Date of Patent:** **** Nov. 6, 2007**

(54) **HOUSING FOR A DRAPERY MOTOR**

6,497,267 B1 * 12/2002 Azar et al. 160/310
D472,910 S * 4/2003 Mullet et al. D15/199
D492,252 S * 6/2004 Su D13/112

(76) Inventor: **Gerrit Jan Vrielink**, 1700 N. Cheyenne
Dr., Richardson, TX (US) 75080

* cited by examiner

(**) Term: **14 Years**

Primary Examiner—Prabhakar Deshmukh

Assistant Examiner—Derrick Holland

(21) Appl. No.: **29/258,414**

(74) *Attorney, Agent, or Firm*—Carr LLP

(22) Filed: **Apr. 21, 2006**

(57) **CLAIM**

(51) **LOC (8) Cl.** **13-01**

The ornamental design for a housing for a drapery motor, as shown and described.

(52) **U.S. Cl.** **D13/112**

(58) **Field of Classification Search** D13/112,
D13/118, 122, 199; D6/580; D15/199; 160/1,
160/7, 38, 39, 168.1 P, 310, 331; 318/256,
318/267, 466, 468

See application file for complete search history.

DESCRIPTION

FIG. 1 is a top front left perspective view of a housing for a drapery motor, showing my new design;

FIG. 2 is a top rear right perspective view thereof;

FIG. 3 is a front elevation view thereof;

FIG. 4 is a right side elevation view thereof;

FIG. 5 is a left side elevation view thereof;

FIG. 6 is a rear elevation view thereof;

FIG. 7 is a top view thereof; and,

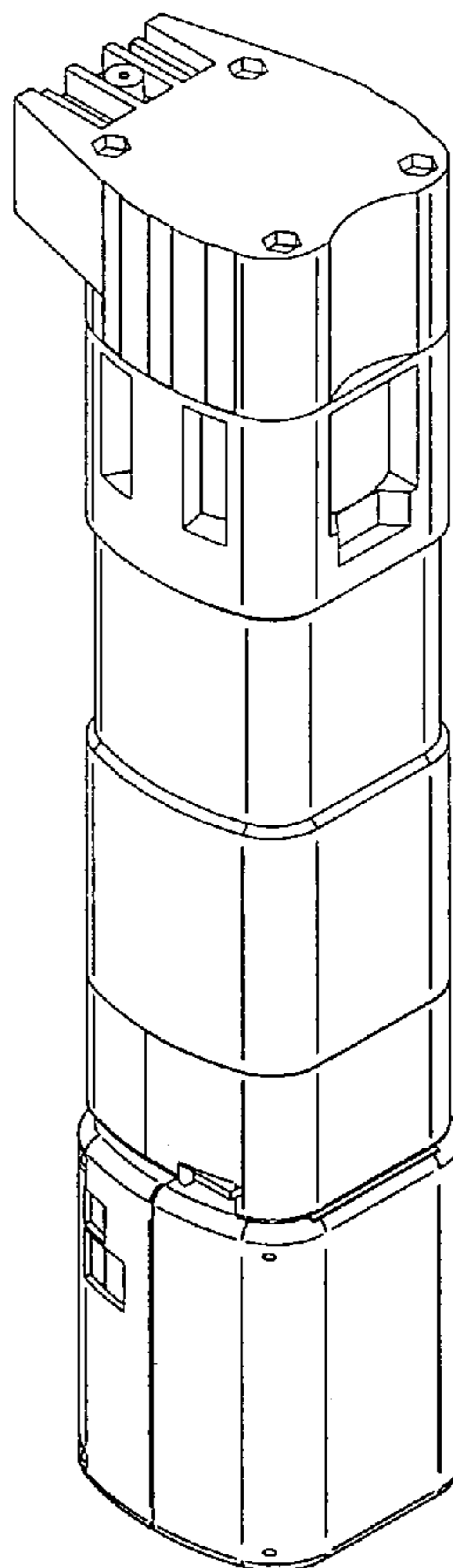
FIG. 8 is a bottom view thereof.

(56) **References Cited**

U.S. PATENT DOCUMENTS

2,788,481	A *	4/1957	Lui et al.	318/267
D180,719	S *	7/1957	McKnight	D13/113
D245,498	S *	8/1977	Andreas	D13/112
4,988,905	A *	1/1991	Tolmie, Jr.	310/68 B
D359,410	S *	6/1995	Domel et al.	D6/580
D387,598	S *	12/1997	Liu	D13/112
6,100,659	A *	8/2000	Will et al.	160/310
D457,493	S *	5/2002	Borges	D13/112

1 Claim, 4 Drawing Sheets



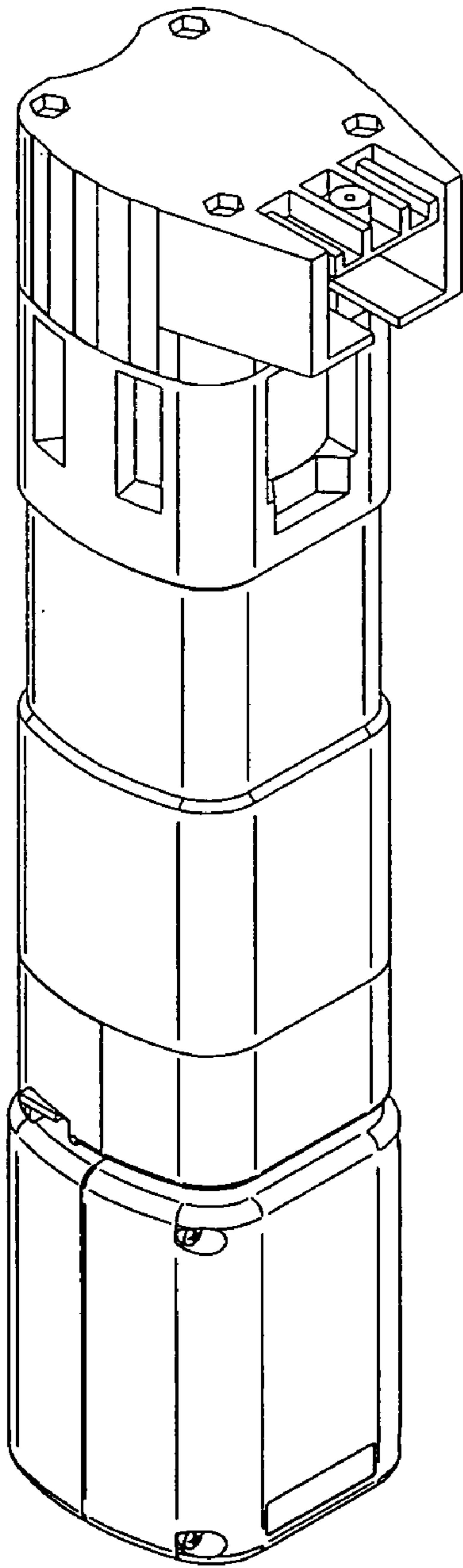


FIG 1

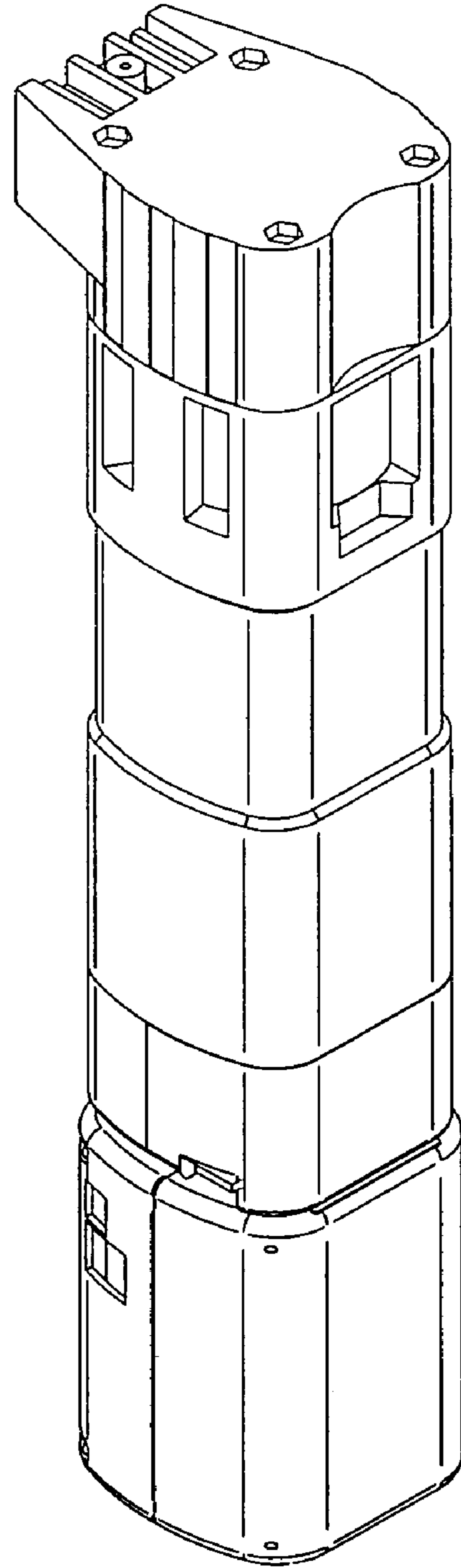


FIG 2

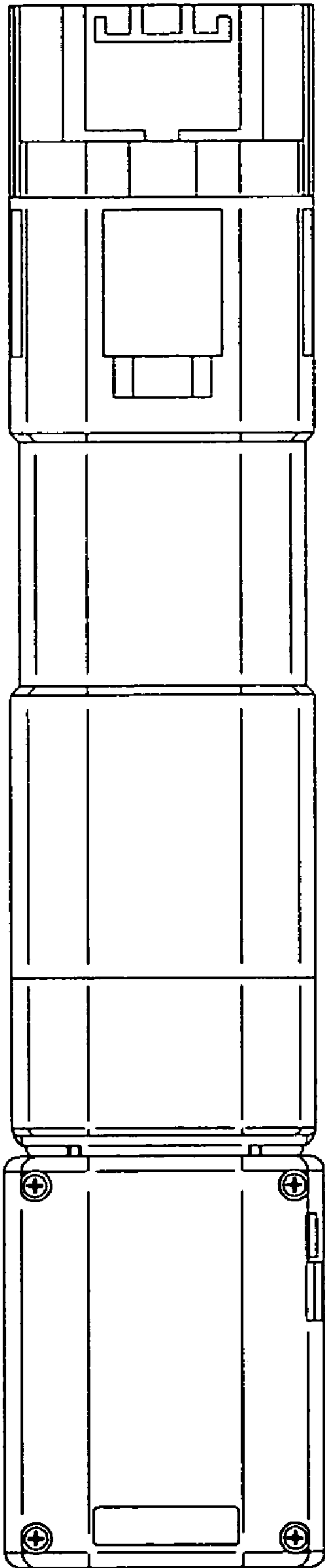


FIG 3

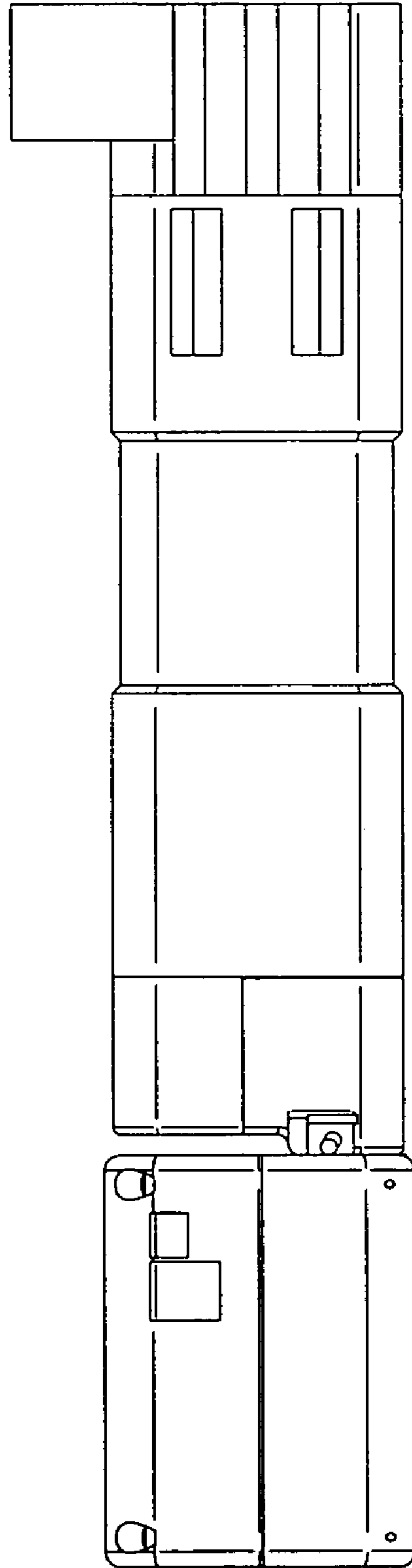


FIG 4

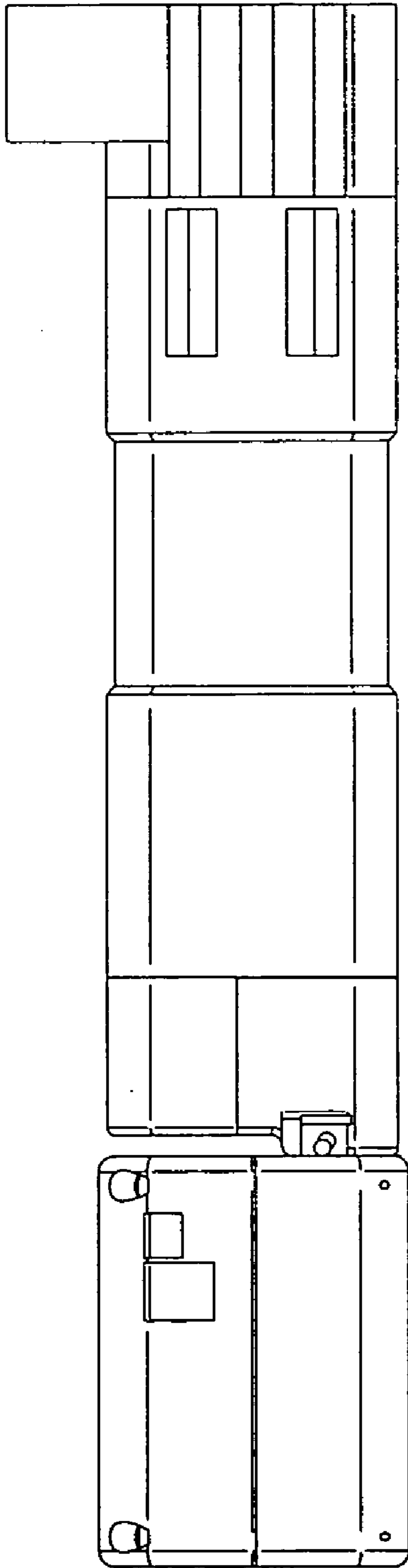


FIG 5

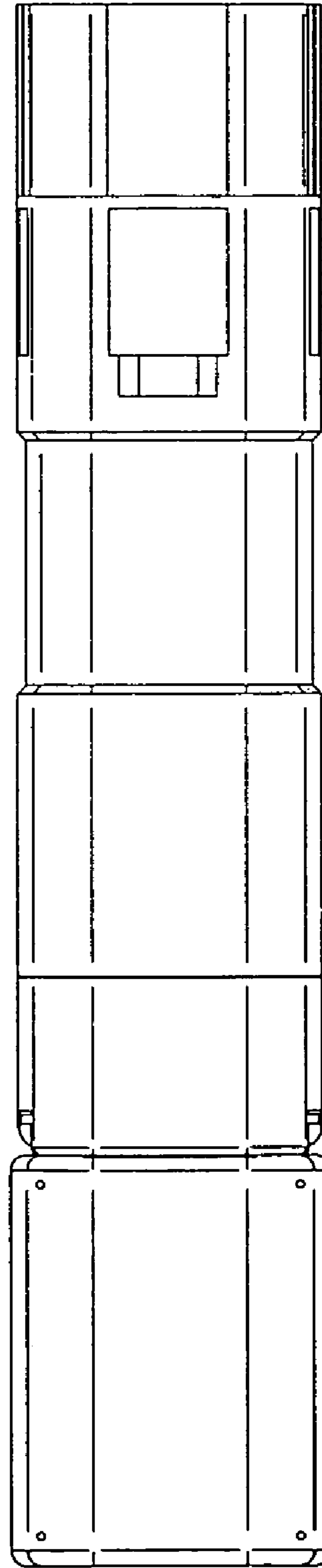


FIG 6

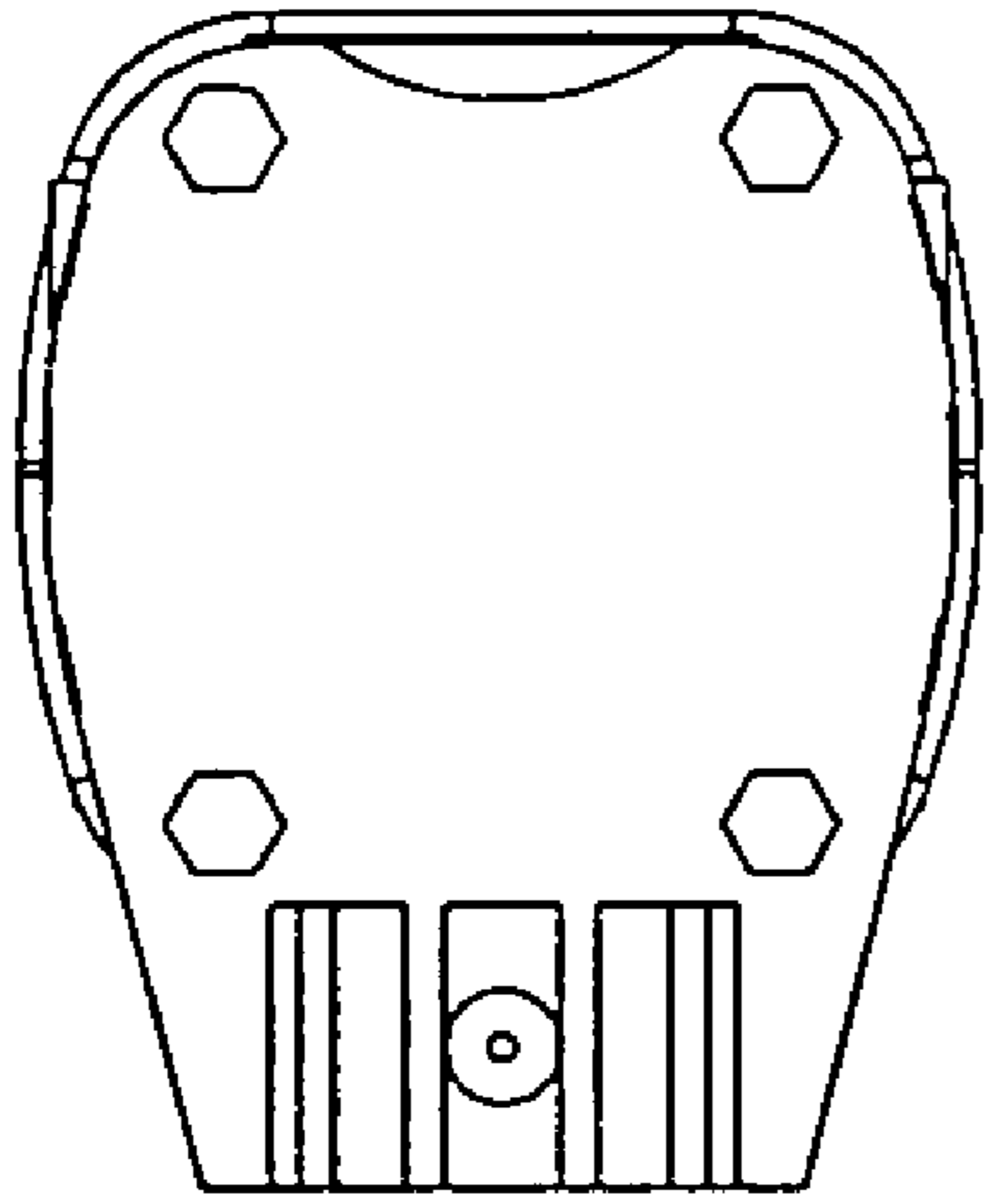


FIG 7

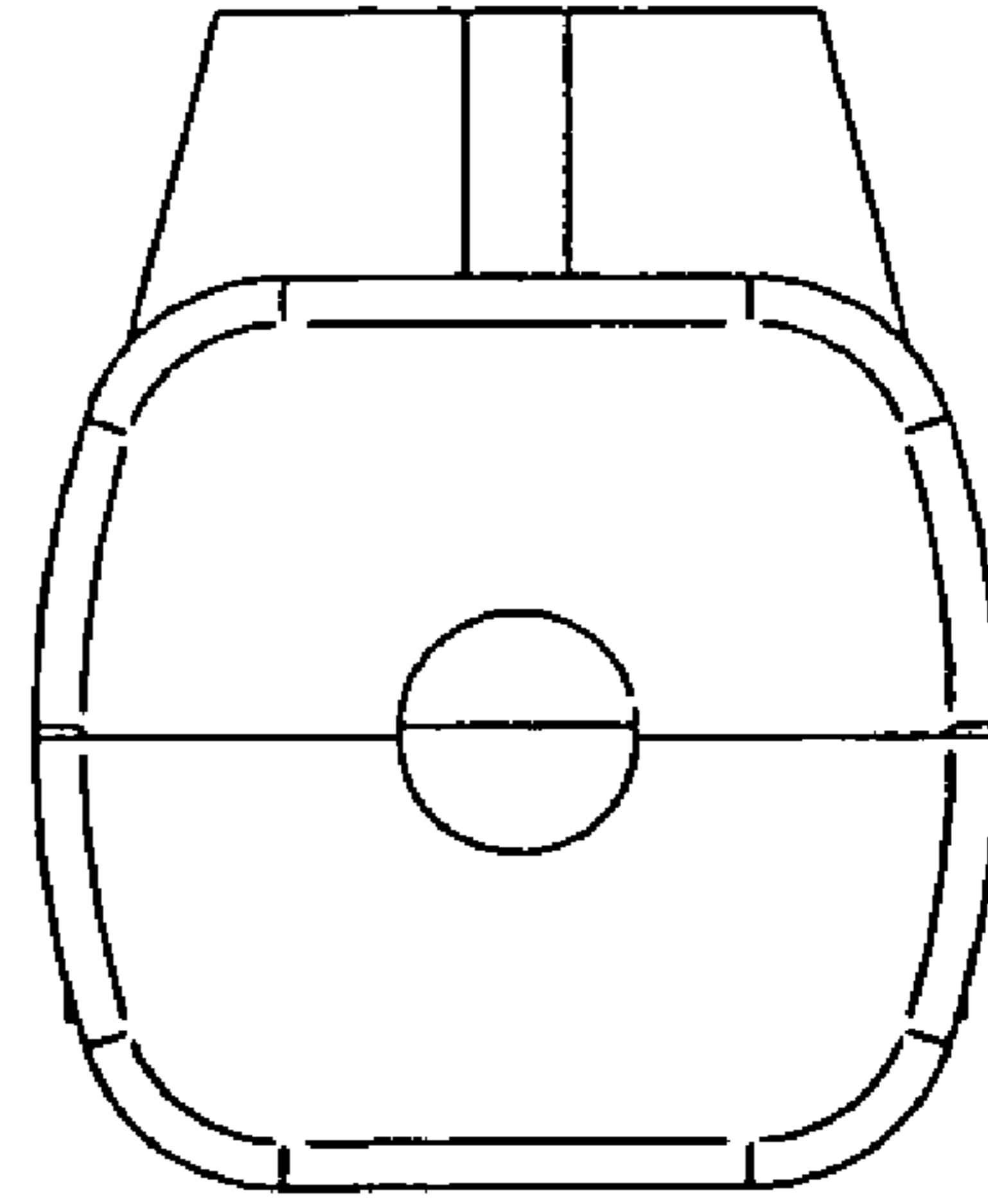


FIG 8