



US00D554585S

(12) **United States Design Patent**
Nazar

(10) **Patent No.:** **US D554,585 S**

(45) **Date of Patent:** **** Nov. 6, 2007**

(54) **THREE-IN-ONE ADAPTER**

(76) Inventor: **David Nazar**, 27540 Avenue Mentry,
Valencia, CA (US) 91355

(**) Term: **14 Years**

(21) Appl. No.: **29/276,322**

(22) Filed: **Jan. 23, 2007**

(51) **LOC (8) Cl.** **13-02**

(52) **U.S. Cl.** **D13/110; D13/108; D13/144**

(58) **Field of Classification Search** **D13/107-110,**
D13/118-119, 144, 184; 320/107-115; 439/300,
439/638, 668-669, 675, 825

See application file for complete search history.

(56) **References Cited**

U.S. PATENT DOCUMENTS

D199,245 S *	9/1964	Skeen	D13/107
D434,370 S *	11/2000	Sun et al.	D13/107
6,528,970 B1 *	3/2003	Liu et al.	320/107
D486,788 S *	2/2004	Riede	D13/108
D546,287 S *	7/2007	Tanishita	D13/144
2004/0036442 A1 *	2/2004	Wu	320/107
2005/0189911 A1 *	9/2005	Cheng	320/111

* cited by examiner

Primary Examiner—Cathron C. Brooks

Assistant Examiner—Rosemary K. Tarcza

(74) *Attorney, Agent, or Firm*—Chernow Katz LLC

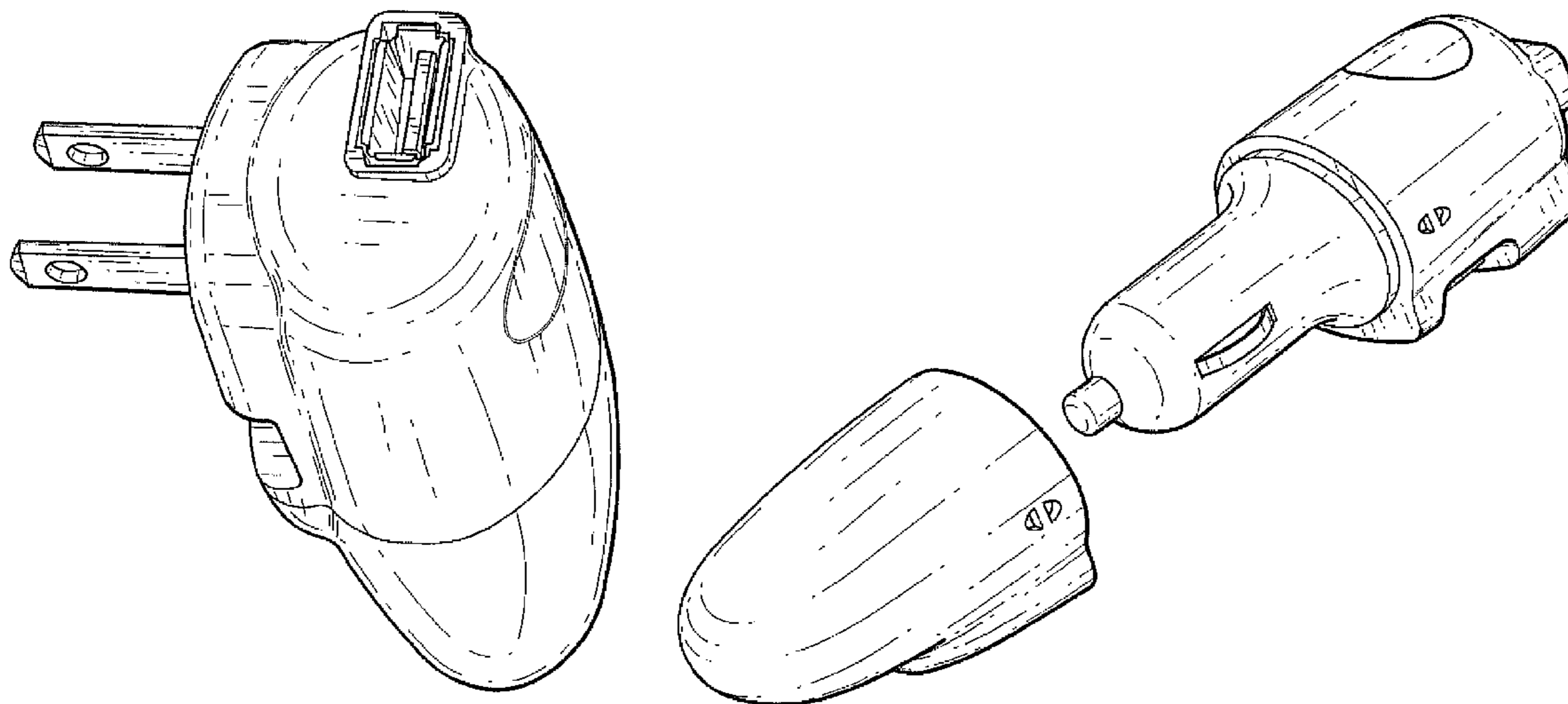
(57) **CLAIM**

The ornamental design for a three-in-one adapter, as shown and described.

DESCRIPTION

FIG. 1 is a perspective view of the present invention;
FIG. 2 is a first side view of the present invention;
FIG. 3 is a top view of the present invention;
FIG. 4 is a bottom view of the present invention;
FIG. 5 is an opposite side view of the present invention;
FIG. 6 is a front view of the present invention;
FIG. 7 is a back view of the present invention; and,
FIG. 8 is a perspective view of the present invention showing the car-charger cover detached and the car charger portion of the invention exposed.

1 Claim, 3 Drawing Sheets



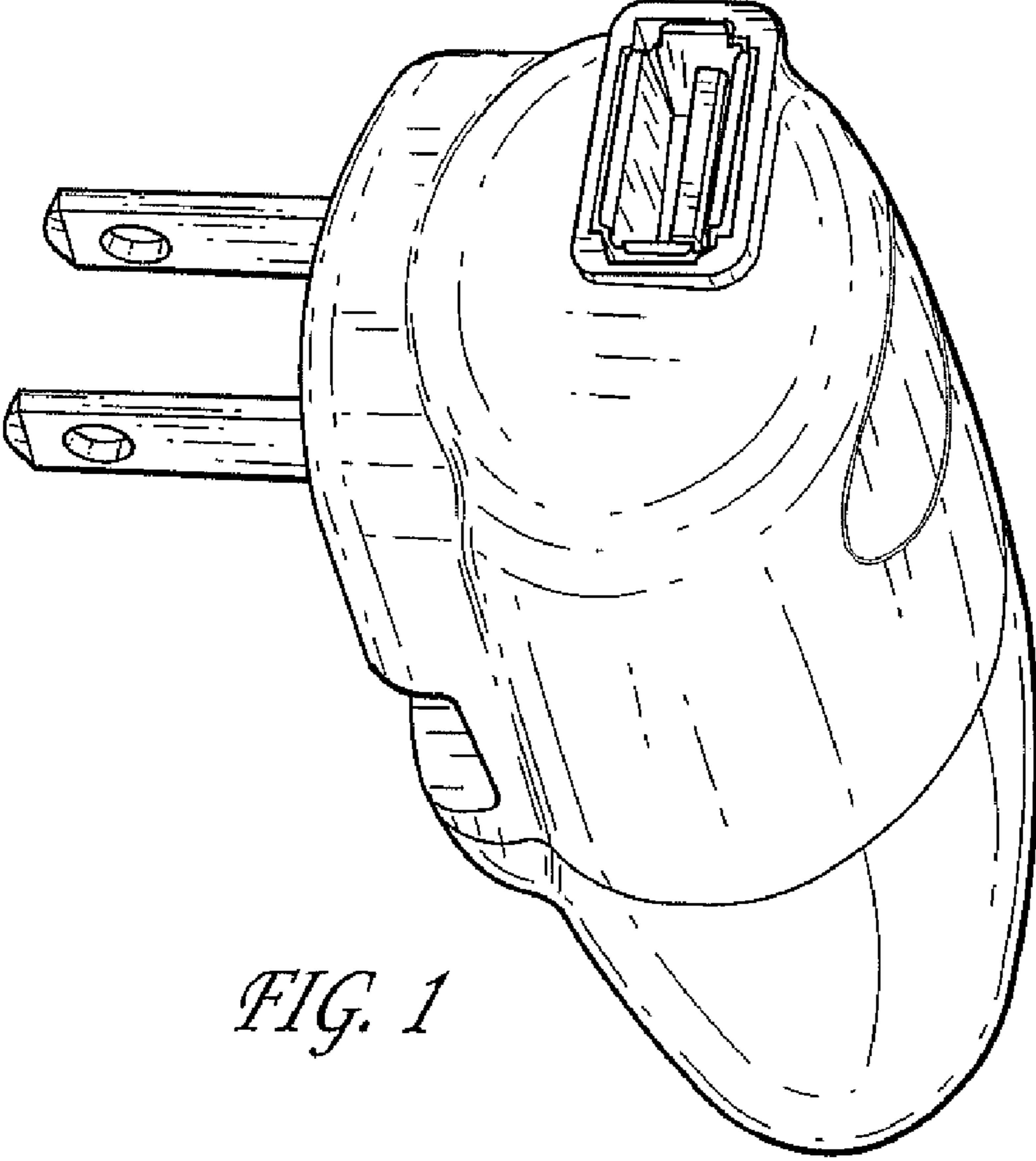


FIG. 1

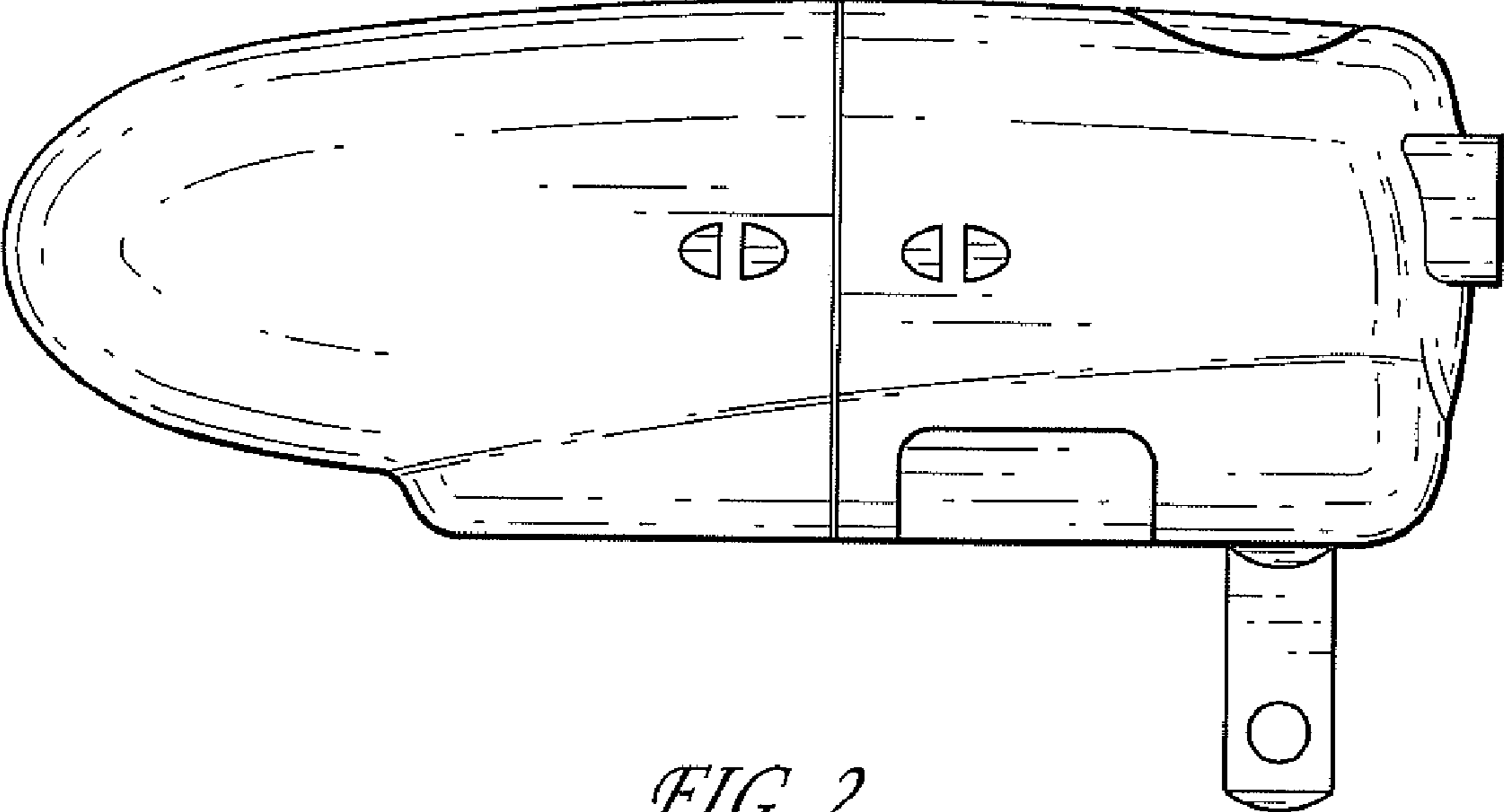


FIG. 2

FIG. 3

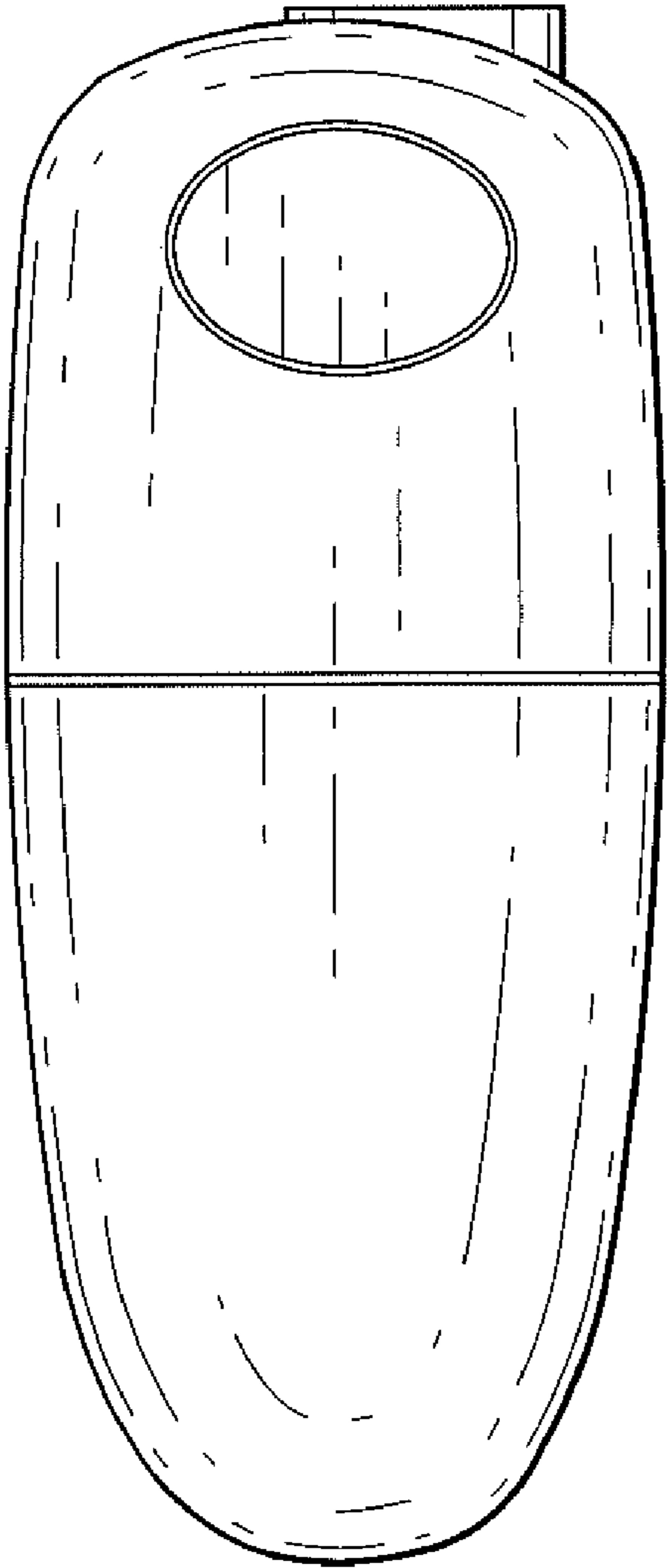


FIG. 4

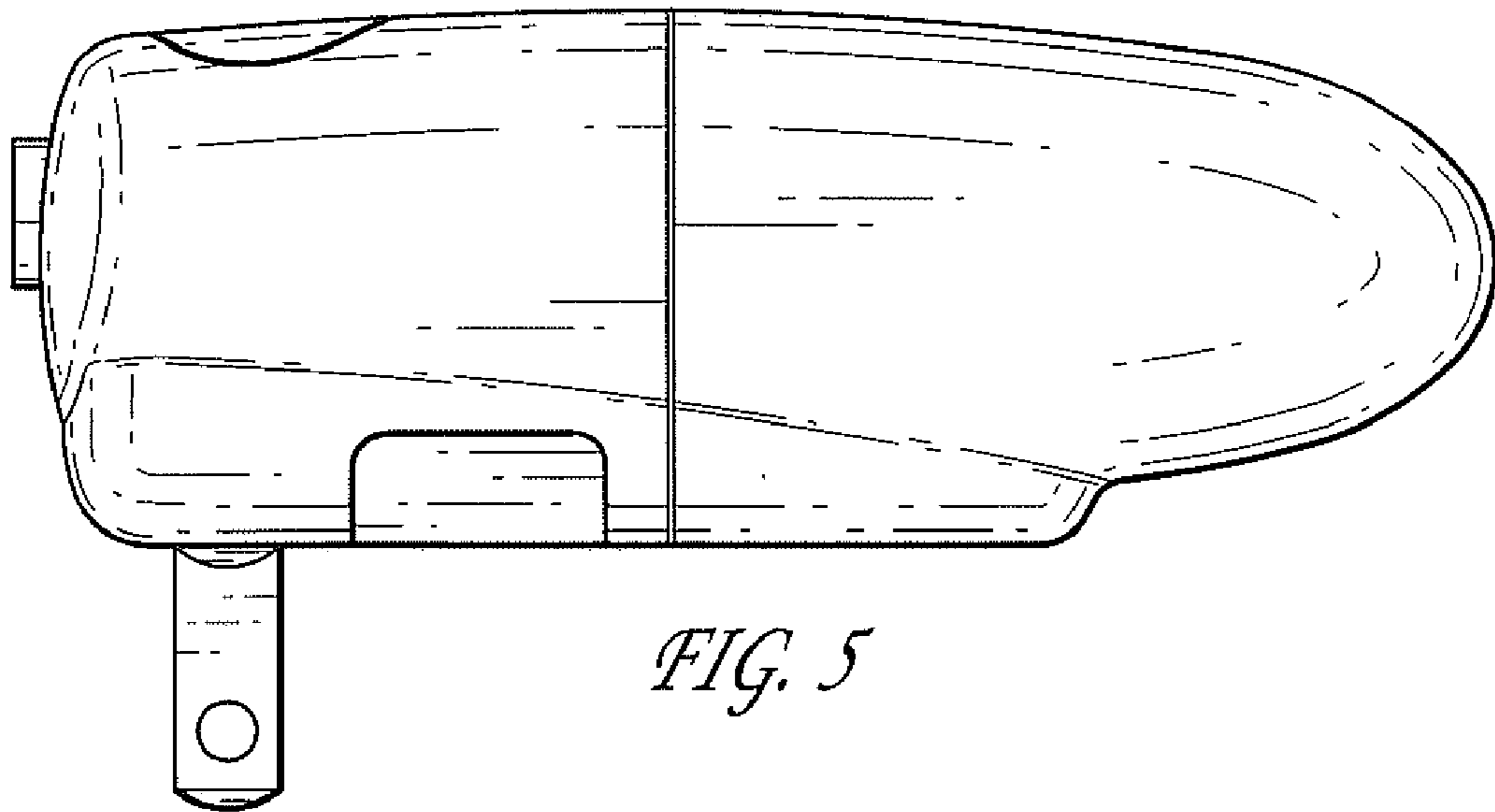
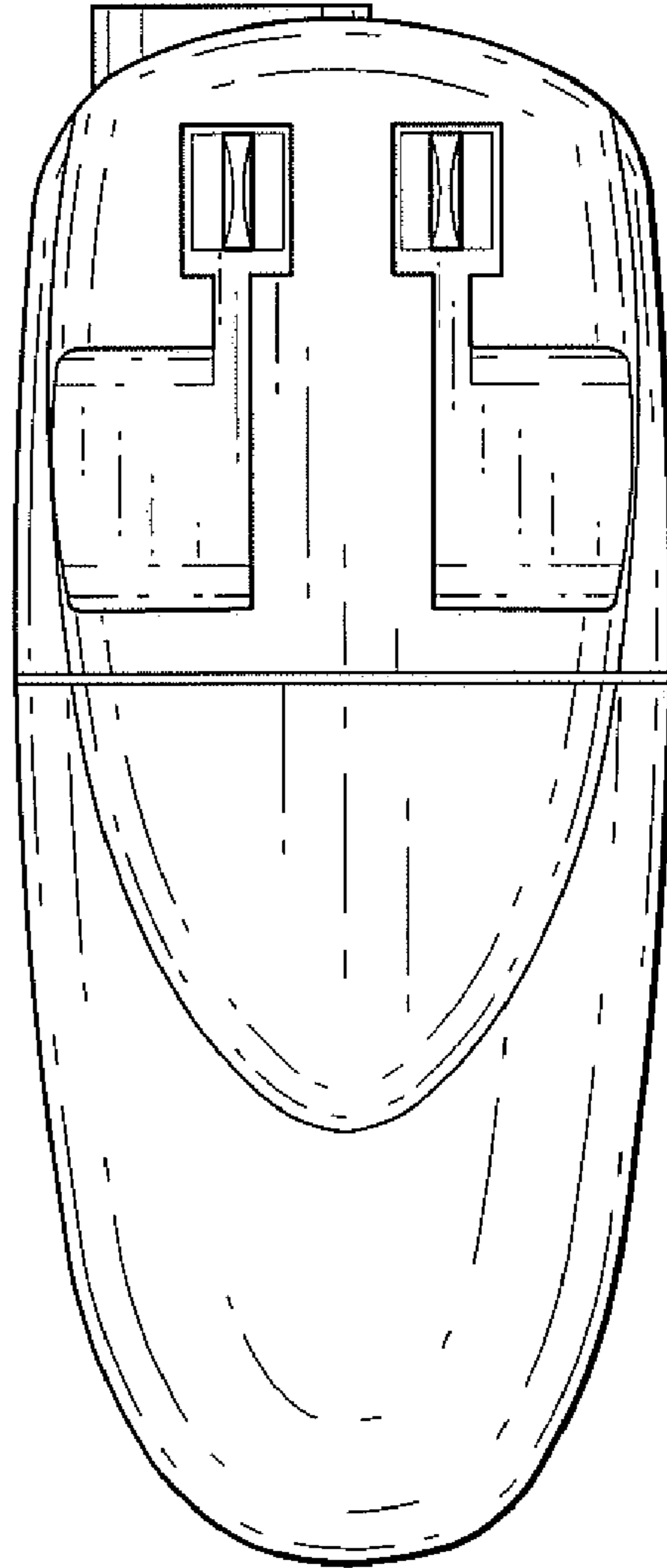


FIG. 5

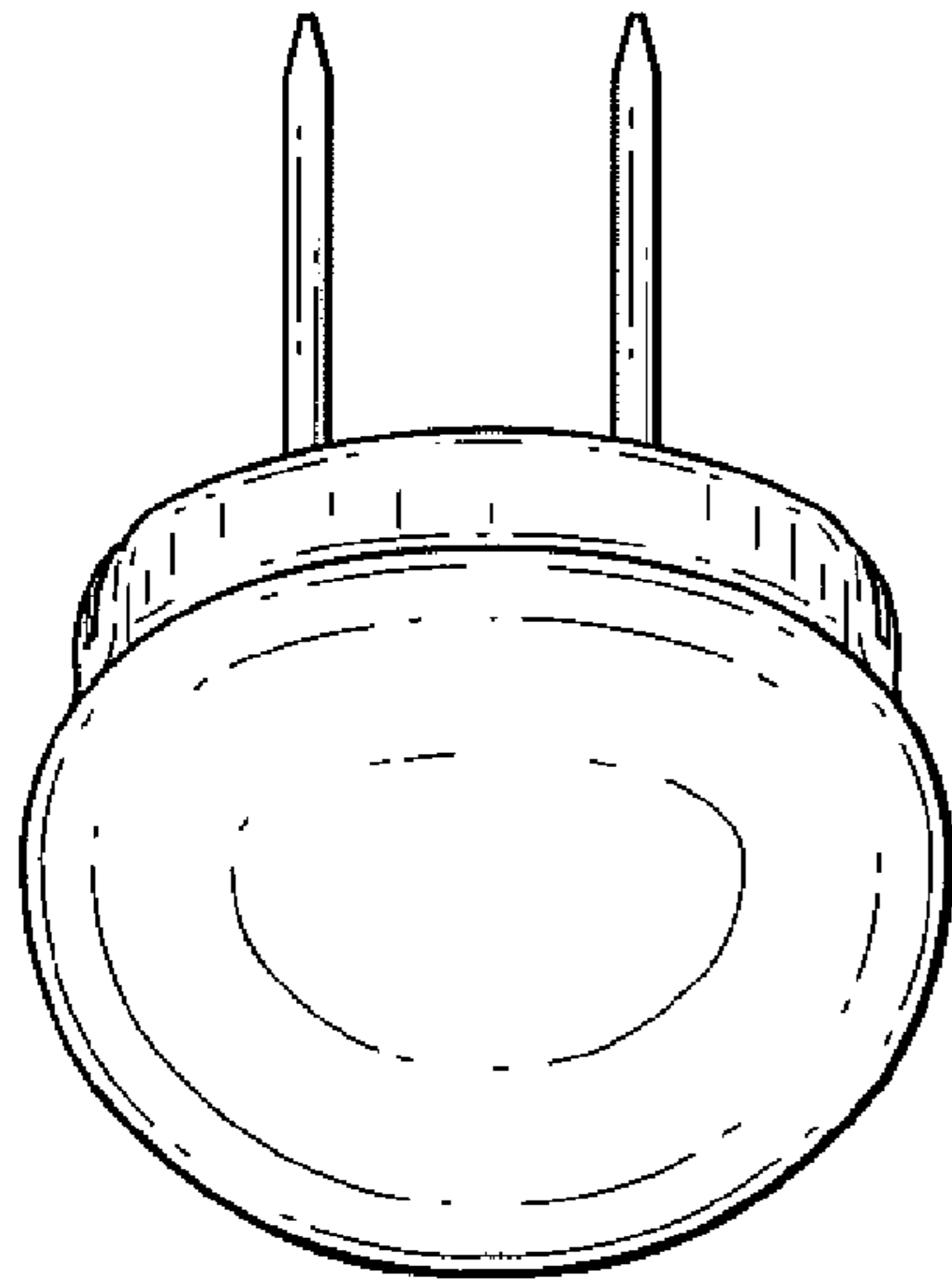


FIG. 6

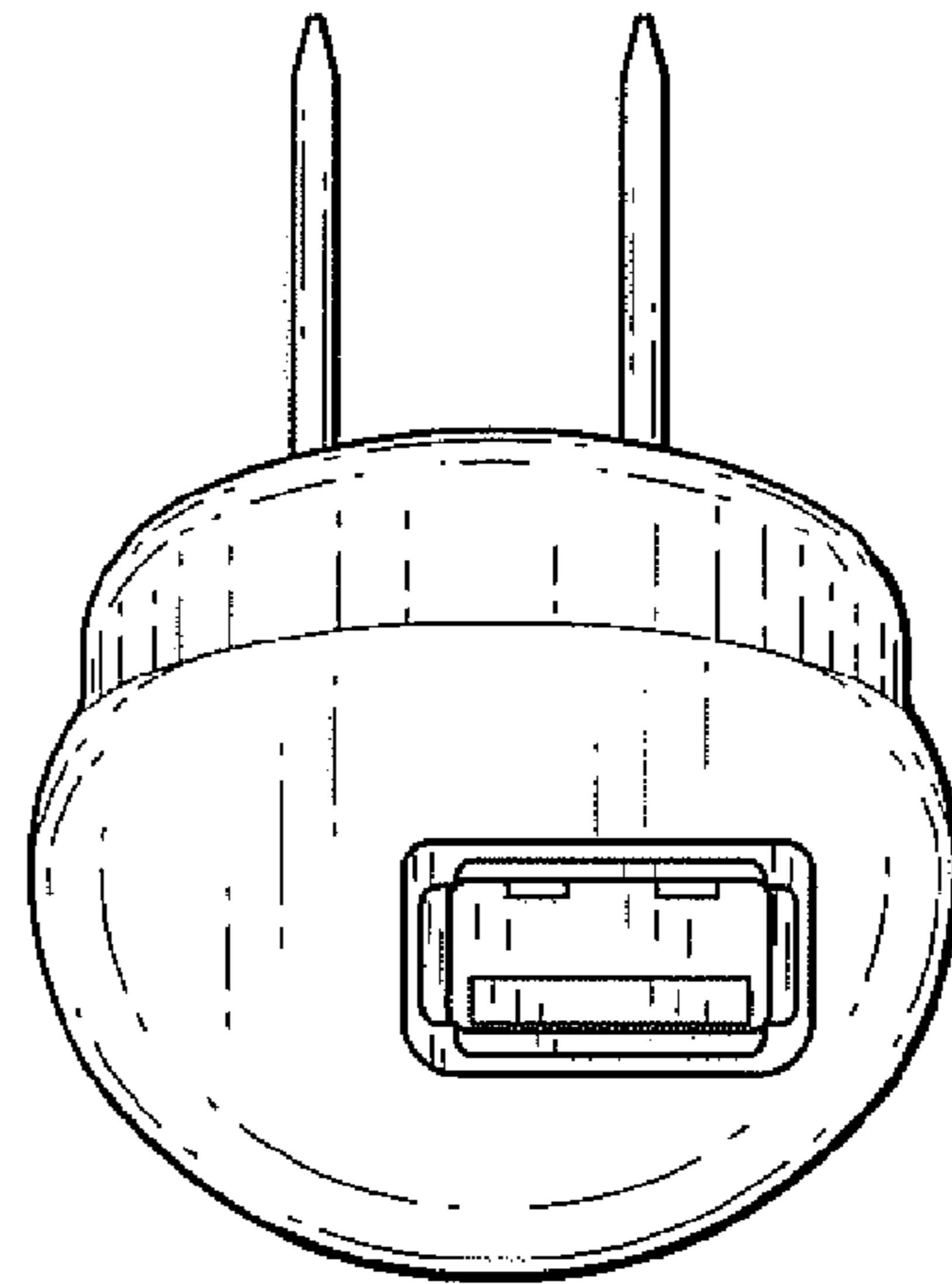


FIG. 7

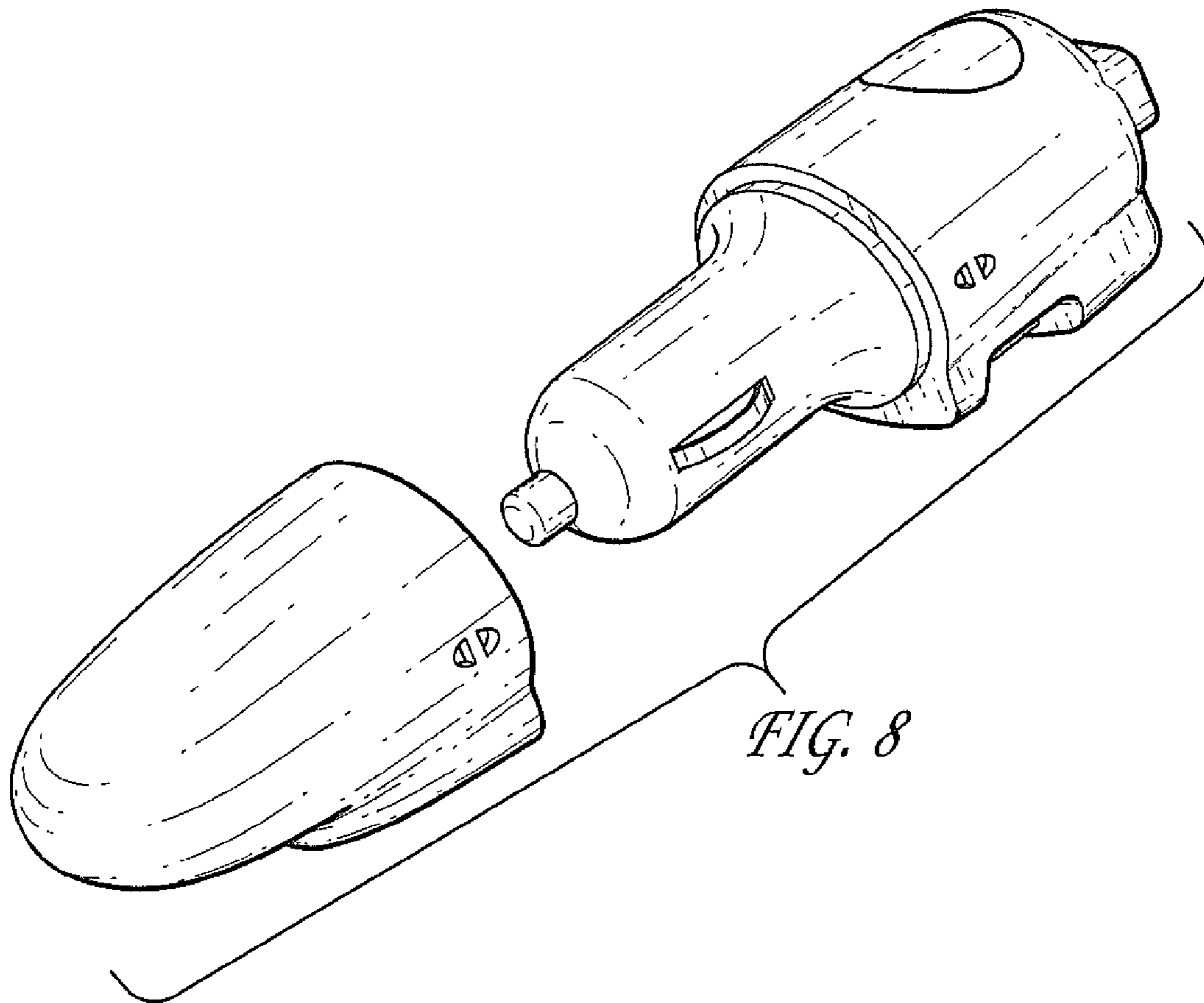


FIG. 8