



US00D554583S

(12) **United States Design Patent**  
**Solland**

(10) **Patent No.:** **US D554,583 S**

(45) **Date of Patent:** **\*\* Nov. 6, 2007**

(54) **PORTION OF AN AUDIO AND CHARGING STATION FOR A HANDHELD ELECTRONIC DEVICE**

(75) Inventor: **Kurt Solland**, Westlake Village, CA (US)

(73) Assignee: **Harman International Industries, Incorporated**, Northridge, CA (US)

(\*\*) Term: **14 Years**

(21) Appl. No.: **29/249,772**

(22) Filed: **Oct. 20, 2006**

(51) **LOC (8) Cl.** ..... **13-02**

(52) **U.S. Cl.** ..... **D13/108; D14/172**

(58) **Field of Classification Search** ..... D13/107-110, D13/118-119, 184; D14/251, 253, 432, D14/434, 168, 172, 204, 213, 215; 320/107-115; 181/148, 153; 381/300, 345, 336

See application file for complete search history.

(56) **References Cited**

**U.S. PATENT DOCUMENTS**

3,059,720	A *	10/1962	Matsuoka	.....	381/420
3,143,182	A *	8/1964	Sears et al.	.....	181/153
D310,835	S *	9/1990	Grimes	.....	D14/163
D329,851	S *	9/1992	Yoo	.....	D14/165
D347,429	S *	5/1994	Kanatani et al.	.....	D14/163
D348,461	S *	7/1994	Peersmann	.....	D14/189
D435,840	S *	1/2001	Ishibashi et al.	.....	D14/168
D460,956	S *	7/2002	Zeitman	.....	D14/168
D471,896	S	3/2003	Solland		
D471,897	S	3/2003	Solland		
D485,824	S *	1/2004	Olson et al.	.....	D14/204
D492,277	S *	6/2004	Esslinger et al.	.....	D14/168
D509,183	S *	9/2005	Solland et al.	.....	D13/108
D512,044	S *	11/2005	Esslinger et al.	.....	D14/168
D514,090	S *	1/2006	Carbone et al.	.....	D14/241
D514,545	S *	2/2006	Watanabe	.....	D14/168
D516,053	S *	2/2006	Hibi	.....	D14/168

D516,538	S *	3/2006	Hibi	.....	D14/168
D524,287	S *	7/2006	Hibi	.....	D14/168
D525,193	S *	7/2006	Vu	.....	D13/108
D536,665	S *	2/2007	Solland	.....	D13/108
D538,258	S *	3/2007	Ishibashi	.....	D14/168
D540,784	S *	4/2007	Yoon	.....	D14/215
D543,936	S *	6/2007	Wada	.....	D13/108
2003/0117107	A1 *	6/2003	Zick et al.	.....	320/112
2005/0285560	A1 *	12/2005	Glasgow et al.	.....	320/111
2007/0024237	A1 *	2/2007	Cole et al.	.....	320/107

\* cited by examiner

*Primary Examiner*—Cathron C. Brooks

*Assistant Examiner*—Rosemary K. Tarcza

(74) *Attorney, Agent, or Firm*—Plumsea Law Group, LLC

(57) **CLAIM**

The ornamental design for a portion of an audio and charging station for a handheld electronic device, as shown and described.

**DESCRIPTION**

FIG. 1 is a perspective view of a portion of an audio and charging station for a handheld electronic device showing my new design;

FIG. 2 is a front elevational view thereof;

FIG. 3 is a side elevational view of one side thereof;

FIG. 4 is a side elevational view of the opposite side thereof;

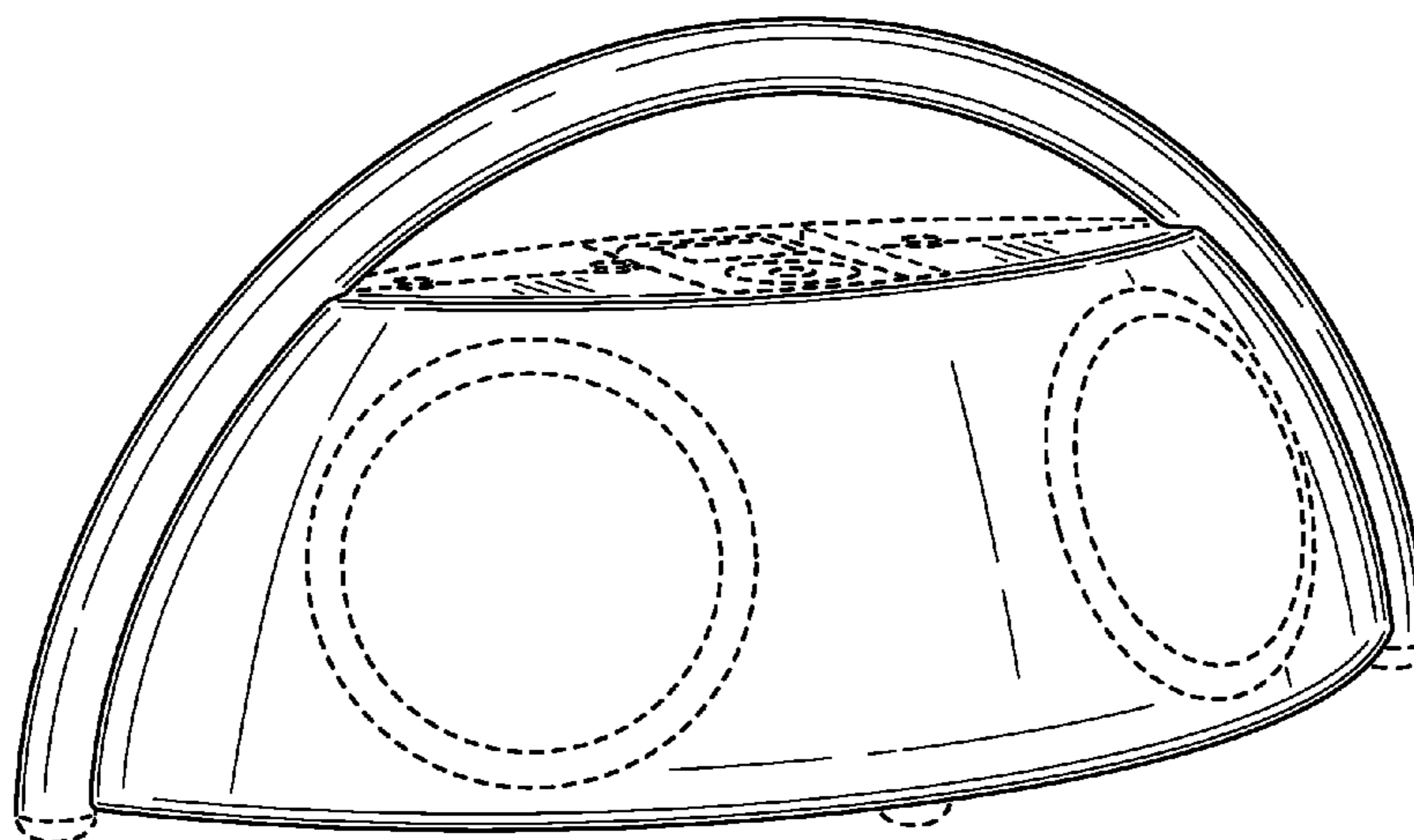
FIG. 5 is a top plan view thereof;

FIG. 6 is a bottom plan view thereof; and,

FIG. 7 is a rear elevational view thereof.

The broken line showings of the two sets of concentric circles on the front face, the feet, the handheld device on top, and the remainder of the audio and charging station are for illustrative purposes only and form no part of the claimed design.

**1 Claim, 4 Drawing Sheets**



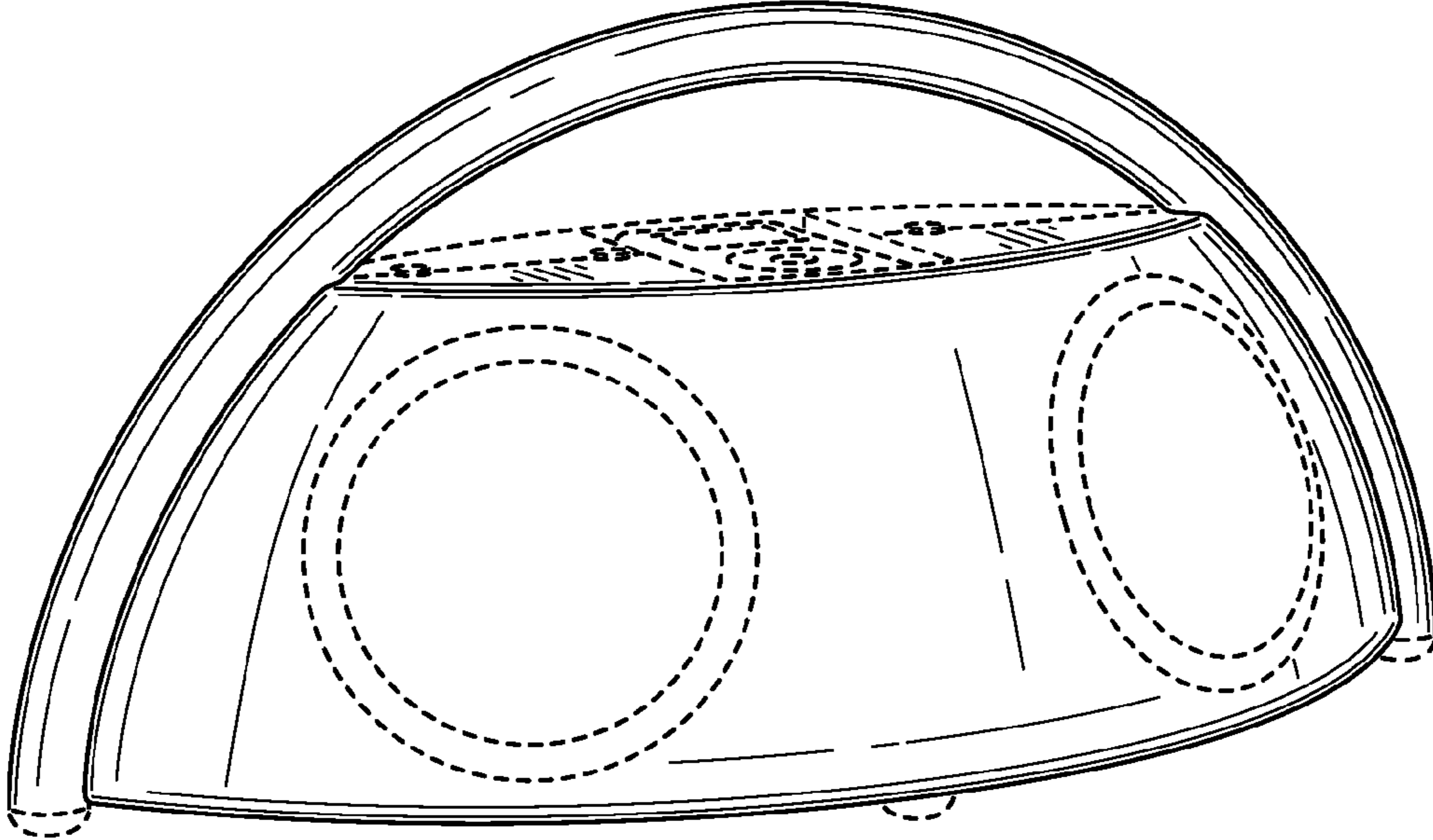


FIG. 1

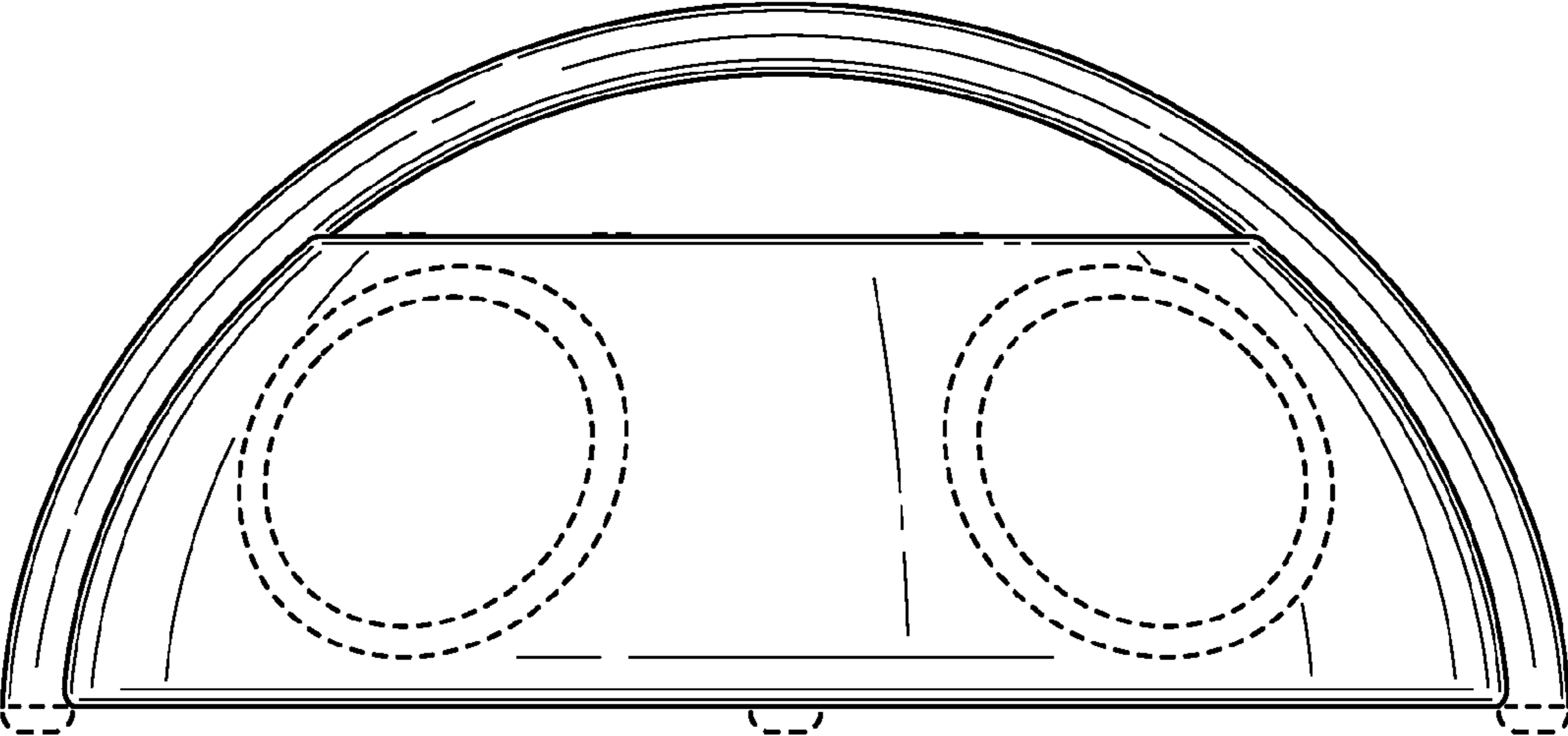


FIG. 2

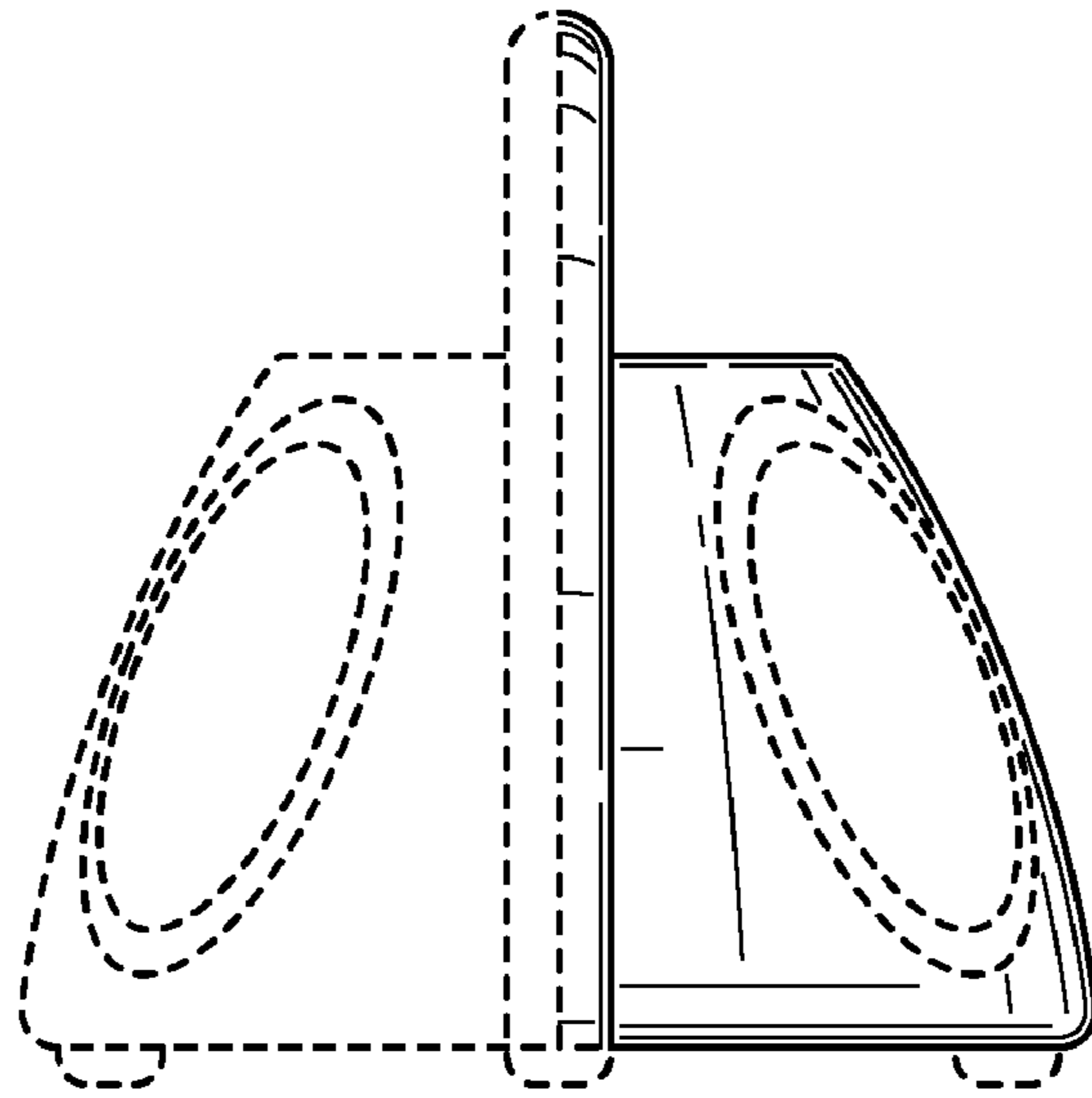


FIG. 3

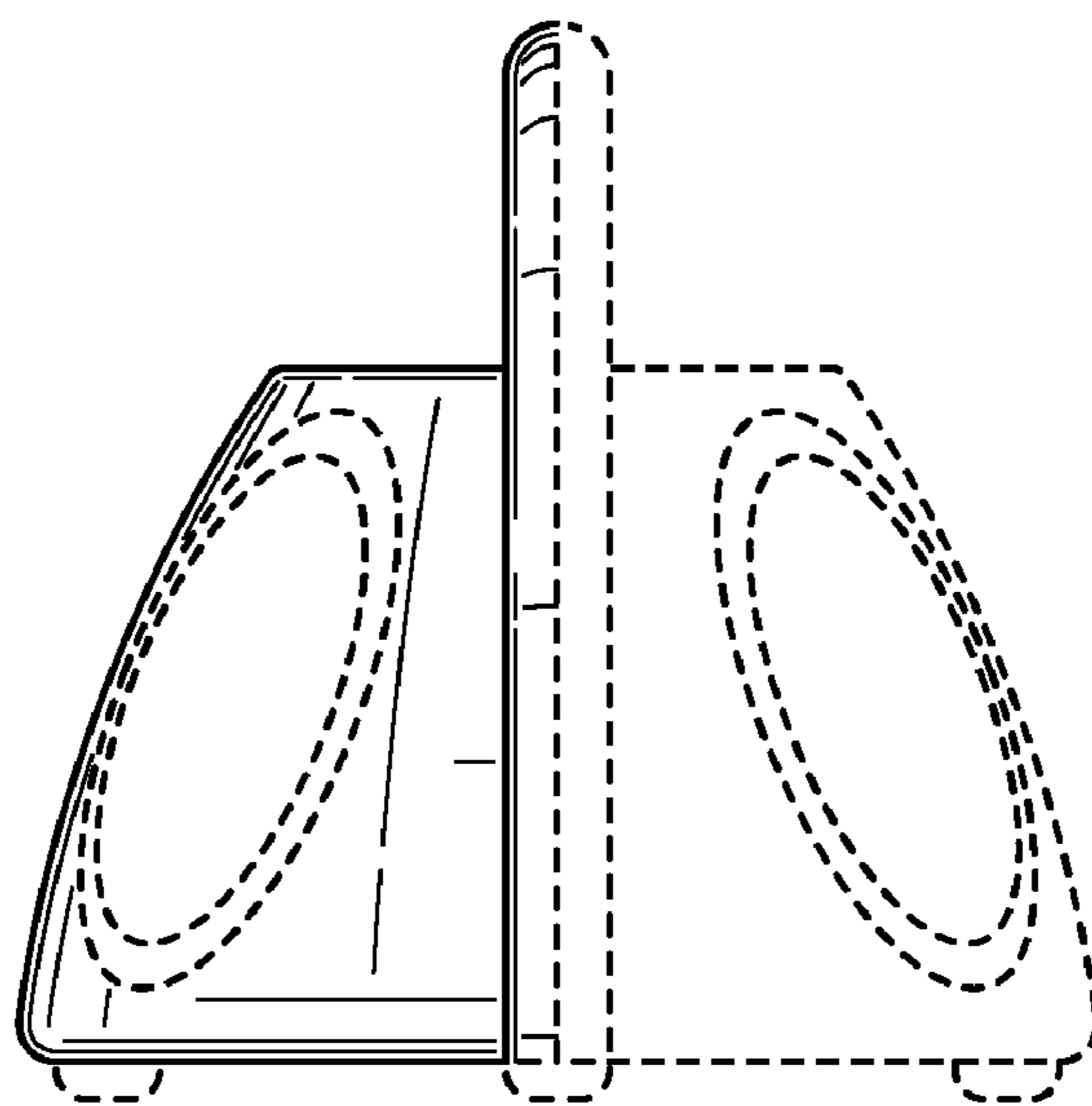


FIG. 4

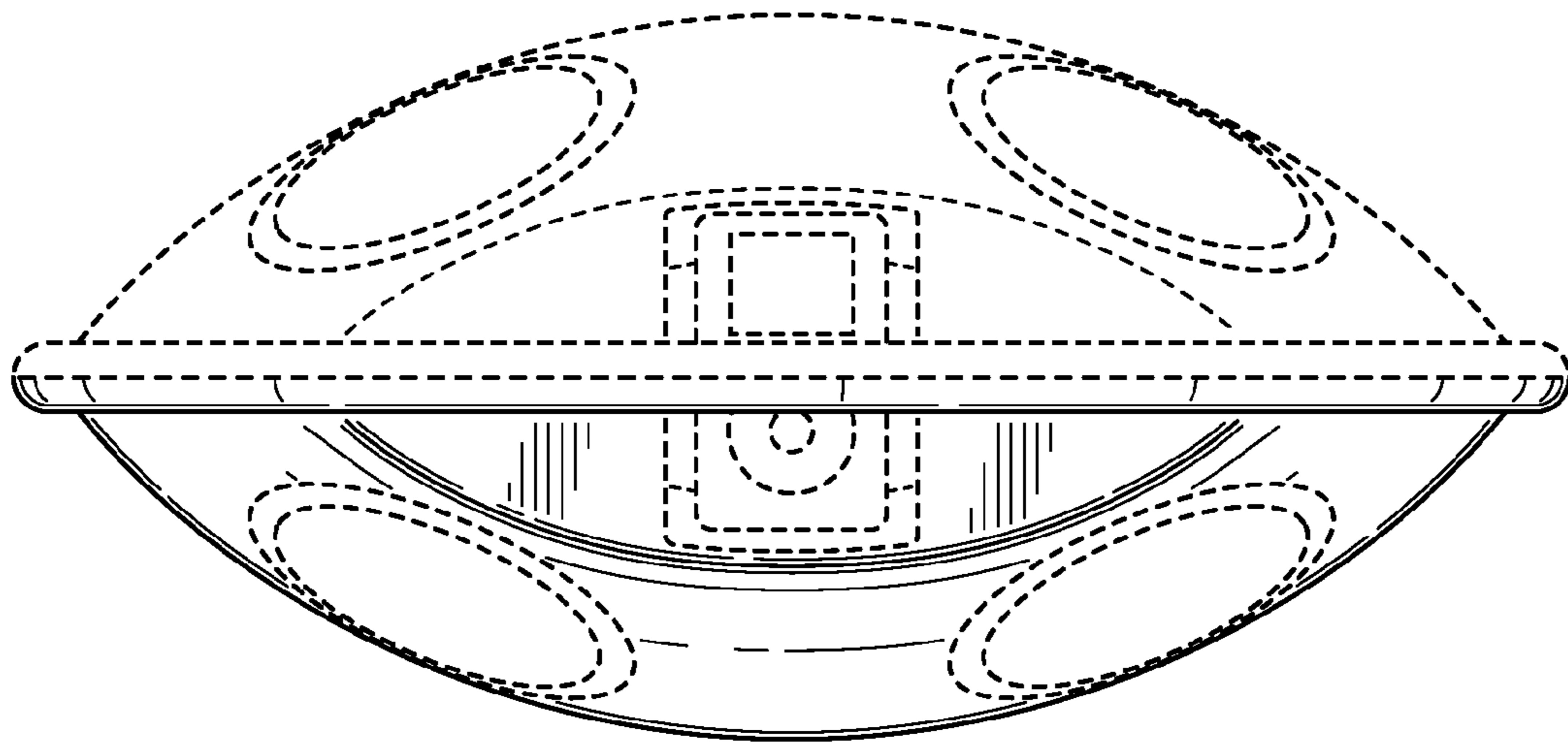


FIG. 5

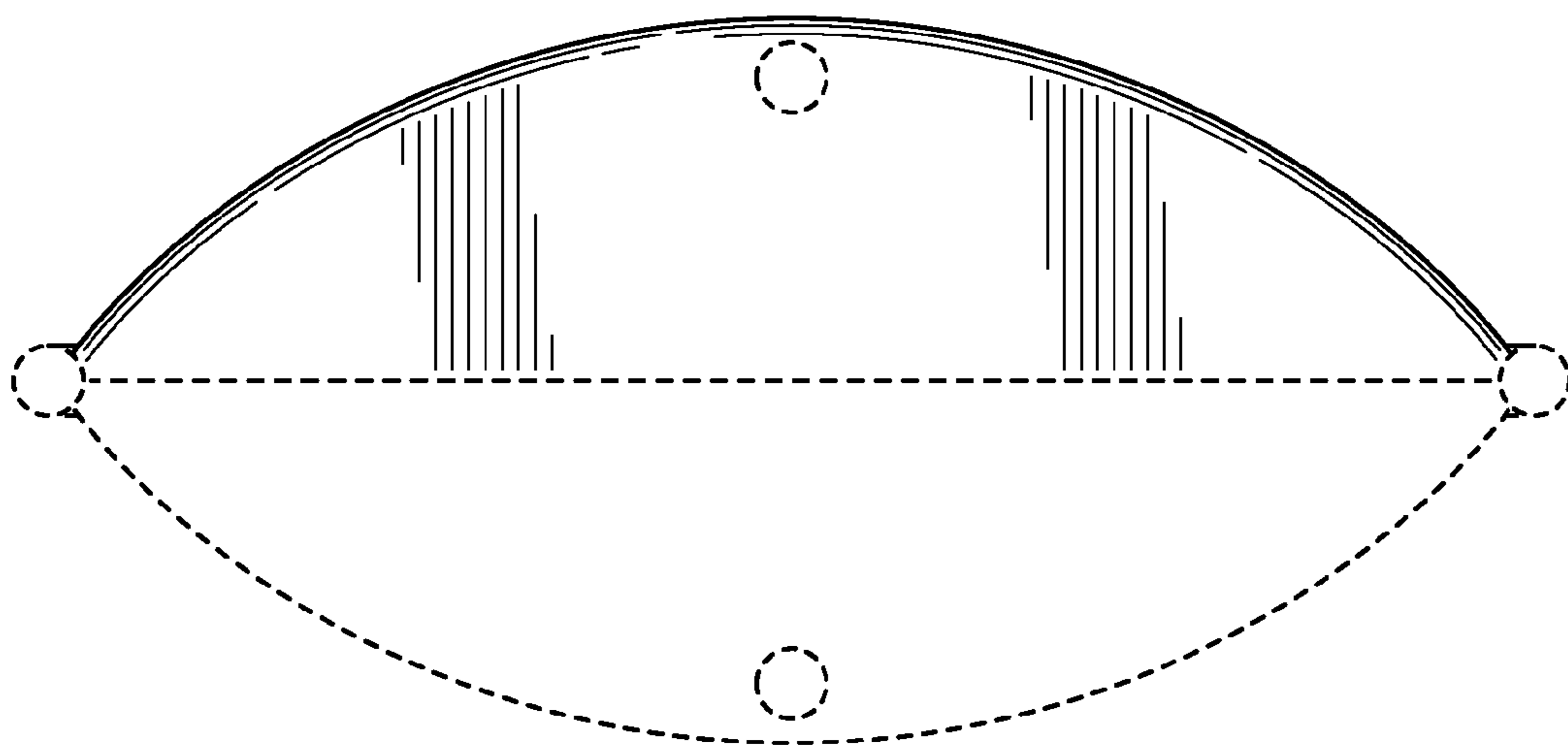


FIG. 6

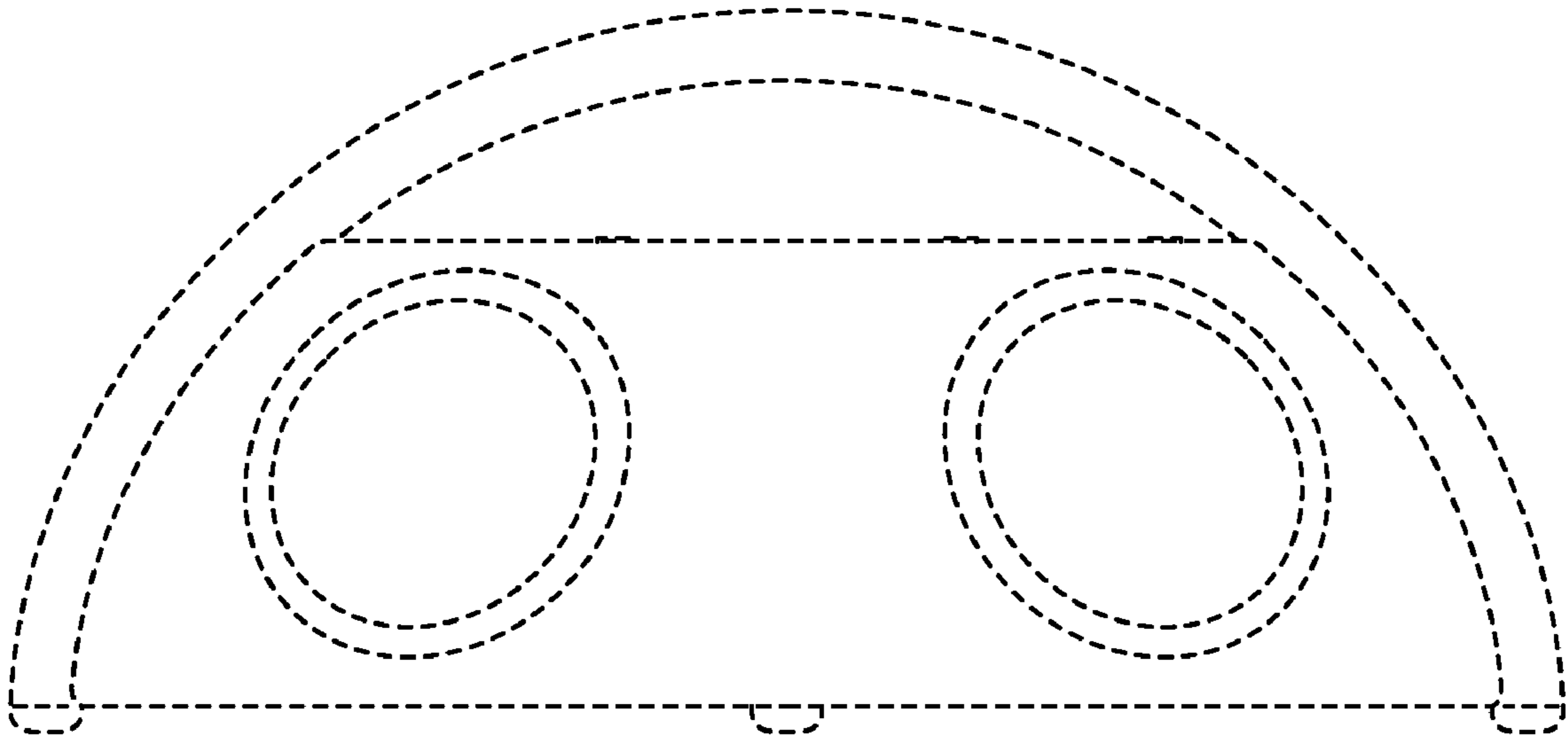


FIG. 7