



US00D554582S

(12) **United States Design Patent**  
**Iseki**

(10) **Patent No.:** **US D554,582 S**  
(45) **Date of Patent:** **\*\* Nov. 6, 2007**

(54) **CONNECTOR**

(75) Inventor: **Daisuke Iseki**, Tokyo (JP)

(73) Assignee: **Sony Corporation**, Tokyo (JP)

(\*\*) Term: **14 Years**

(21) Appl. No.: **29/235,030**

(22) Filed: **Jul. 27, 2005**

(30) **Foreign Application Priority Data**

Apr. 11, 2005 (CN) ..... 2005 3 0009882

(51) **LOC (8) Cl.** ..... **13-02**

(52) **U.S. Cl.** ..... **D13/108; D14/434**

(58) **Field of Classification Search** ..... D14/434,  
D14/433, 432, 251, 253, 114, 100, 107, 109,  
D14/356; D13/146, 147, 184, 108, 107,  
D13/109, 110, 118, 119, 199; D18/59; 320/107-115;  
361/683, 686; 439/639, 540.1, 638.9, 635,  
439/676, 95, 240

See application file for complete search history.

(56) **References Cited**

**U.S. PATENT DOCUMENTS**

D336,287 S *	6/1993	Mizusugi et al. ....	D14/434
D361,758 S *	8/1995	Youens et al. ....	D14/434
D362,241 S *	9/1995	Youens et al. ....	D14/434
D366,469 S *	1/1996	Youens ..... ..	D14/434
D384,044 S *	9/1997	Tanimura ..... ..	D14/434
D395,871 S *	7/1998	Iino ..... ..	D14/434
D412,702 S	8/1999	Goto	
D413,108 S *	8/1999	Suzuki ..... ..	D14/434
D413,574 S	9/1999	Goto	
D415,740 S *	10/1999	Lee et al. ....	D14/434

D443,860 S	6/2001	Ogasawara	
6,331,934 B1 *	12/2001	Helot et al. ....	361/686
D456,812 S *	5/2002	Bliven et al. ....	D14/434
D471,558 S	3/2003	Wada	
2002/0008959 A1 *	1/2002	Helot ..... ..	361/683
2003/0193316 A1 *	10/2003	Guo et al. ....	320/112

**OTHER PUBLICATIONS**

Web page "IBM 74P6733," [http://www.yodobashi.com/enjoy/more/i/cat\\_38974433\\_8281896\\_8281989/6940148.html](http://www.yodobashi.com/enjoy/more/i/cat_38974433_8281896_8281989/6940148.html), 1 sheet, Yodobashi Camera (Jun. 2005).

Web page "VGP-PRB1," <http://www.ecat.sony.co.jp/vaio/acc/acc.cfm?pd=18781>, 1 sheet, Sony (Jun. 2005).

\* cited by examiner

*Primary Examiner*—Louis S. Zarfaz

*Assistant Examiner*—Anna K Dworzecka

(74) *Attorney, Agent, or Firm*—Rader, Fishman & Grauer PLLC

(57) **CLAIM**

The ornamental design for a connector, as shown.

**DESCRIPTION**

FIG. 1 is a perspective view of a connector showing my new design;

FIG. 2 is a front elevational view thereof;

FIG. 3 is a rear elevational view thereof;

FIG. 4 is a left side elevational view thereof;

FIG. 5 is a right side elevational view thereof;

FIG. 6 is a top plan view thereof; and,

FIG. 7 is a bottom plan view thereof.

**1 Claim, 7 Drawing Sheets**

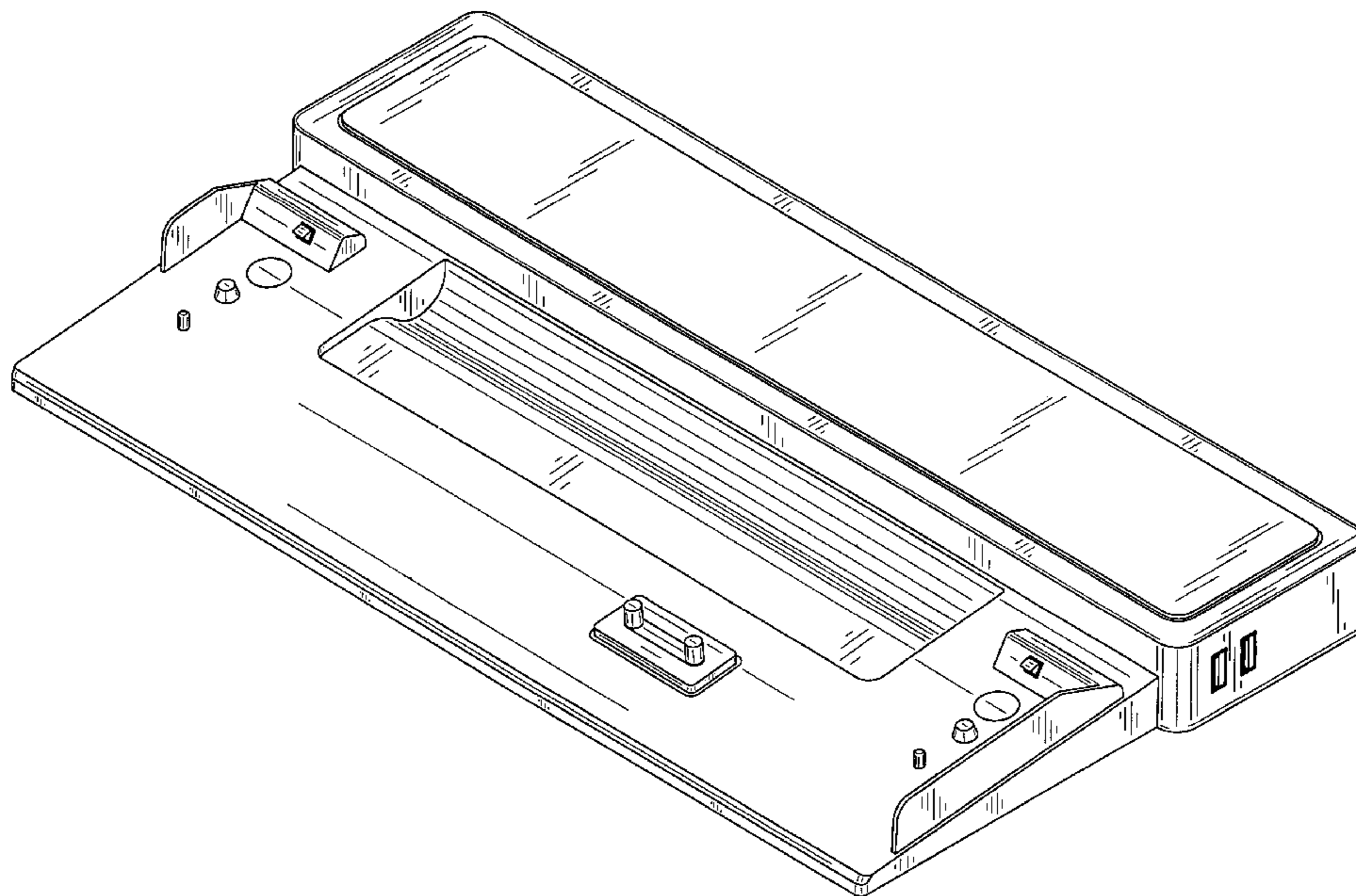


Fig. 1

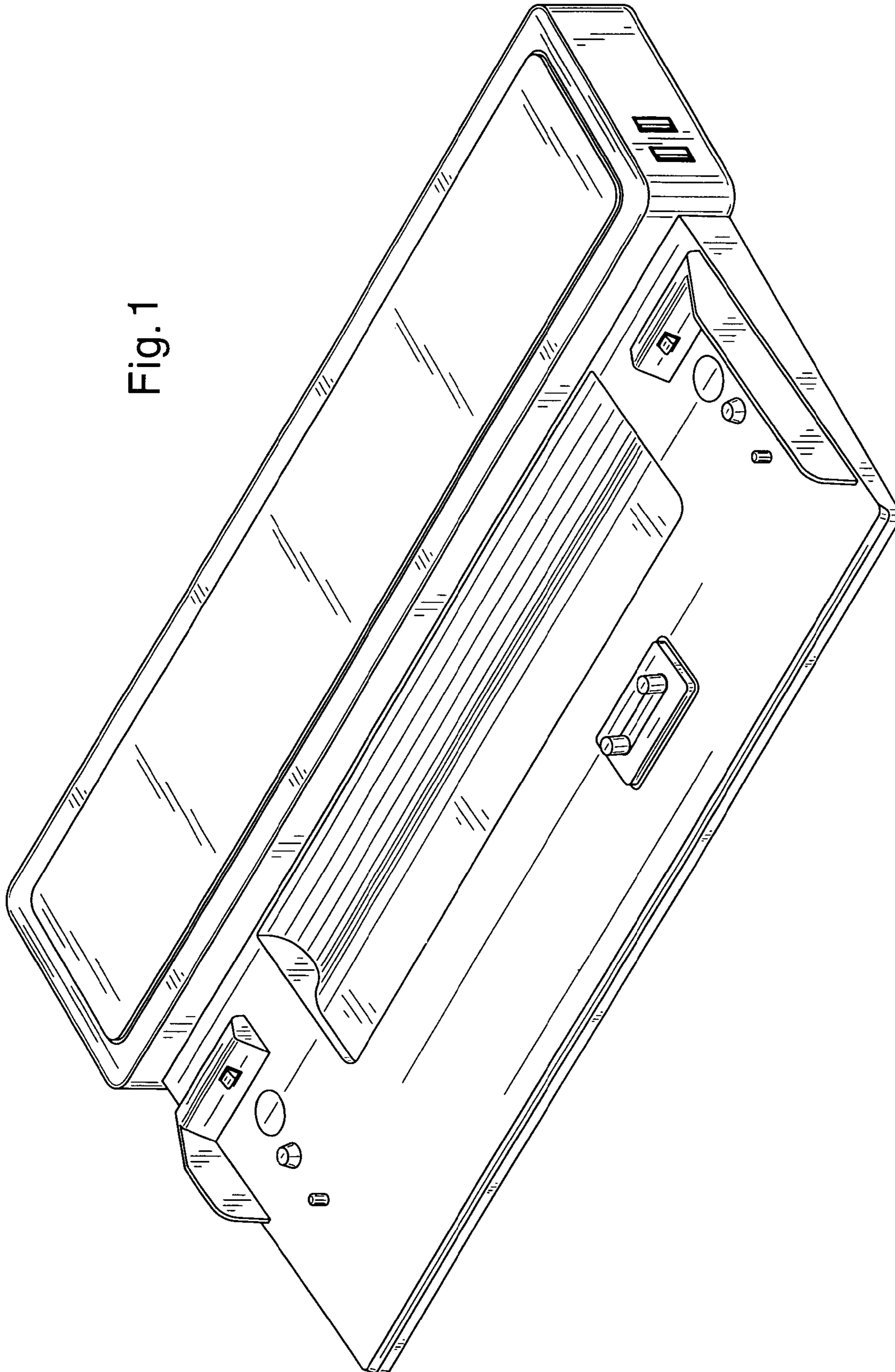


Fig. 2

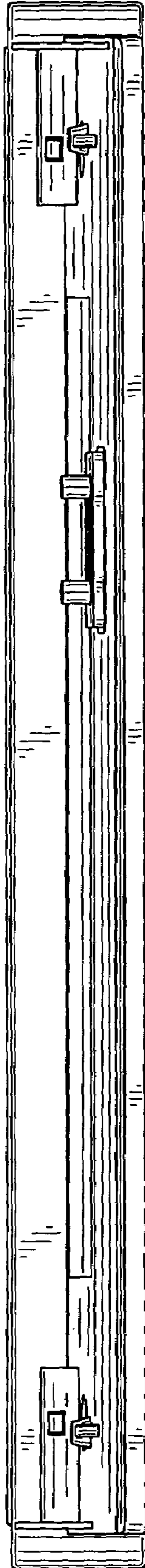


Fig.3

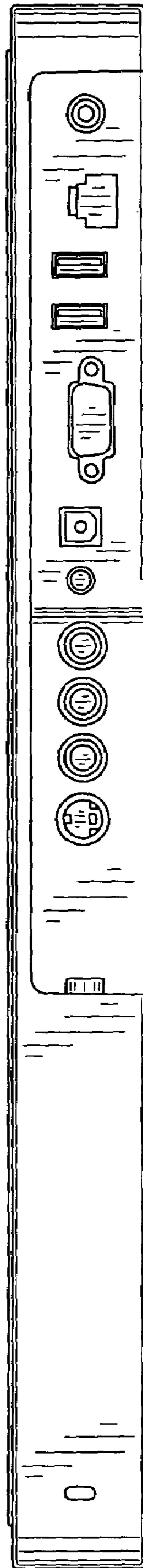


Fig. 4

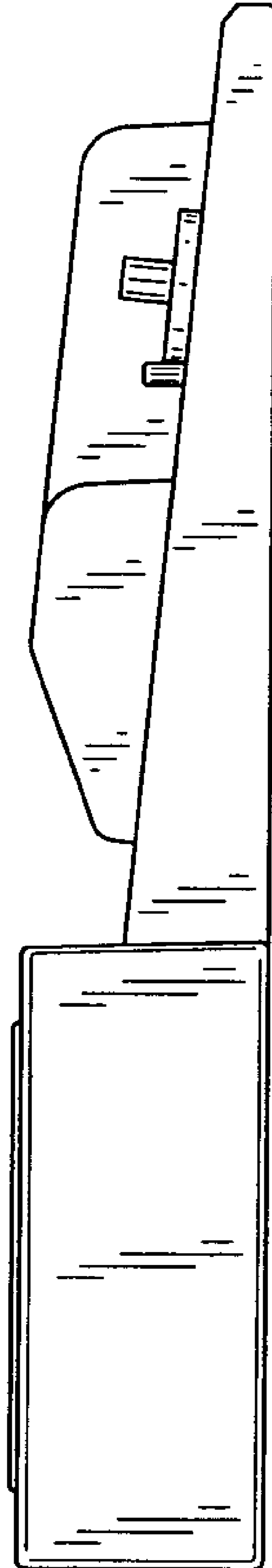


Fig. 5

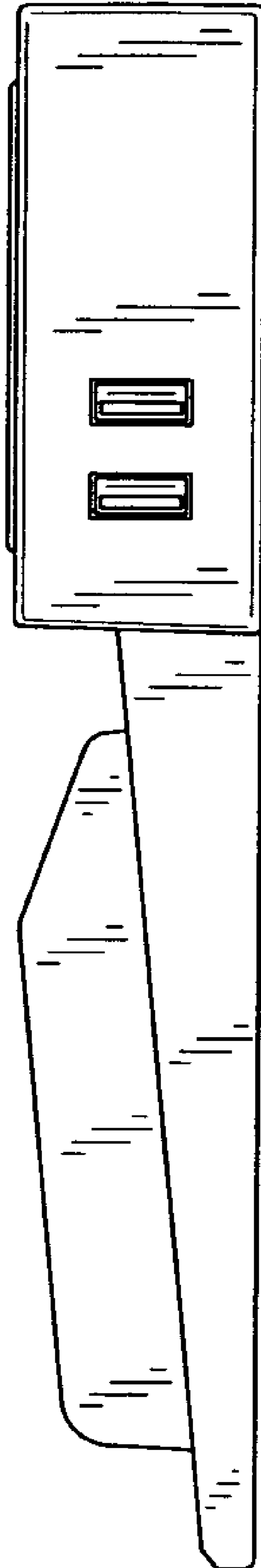


Fig. 6

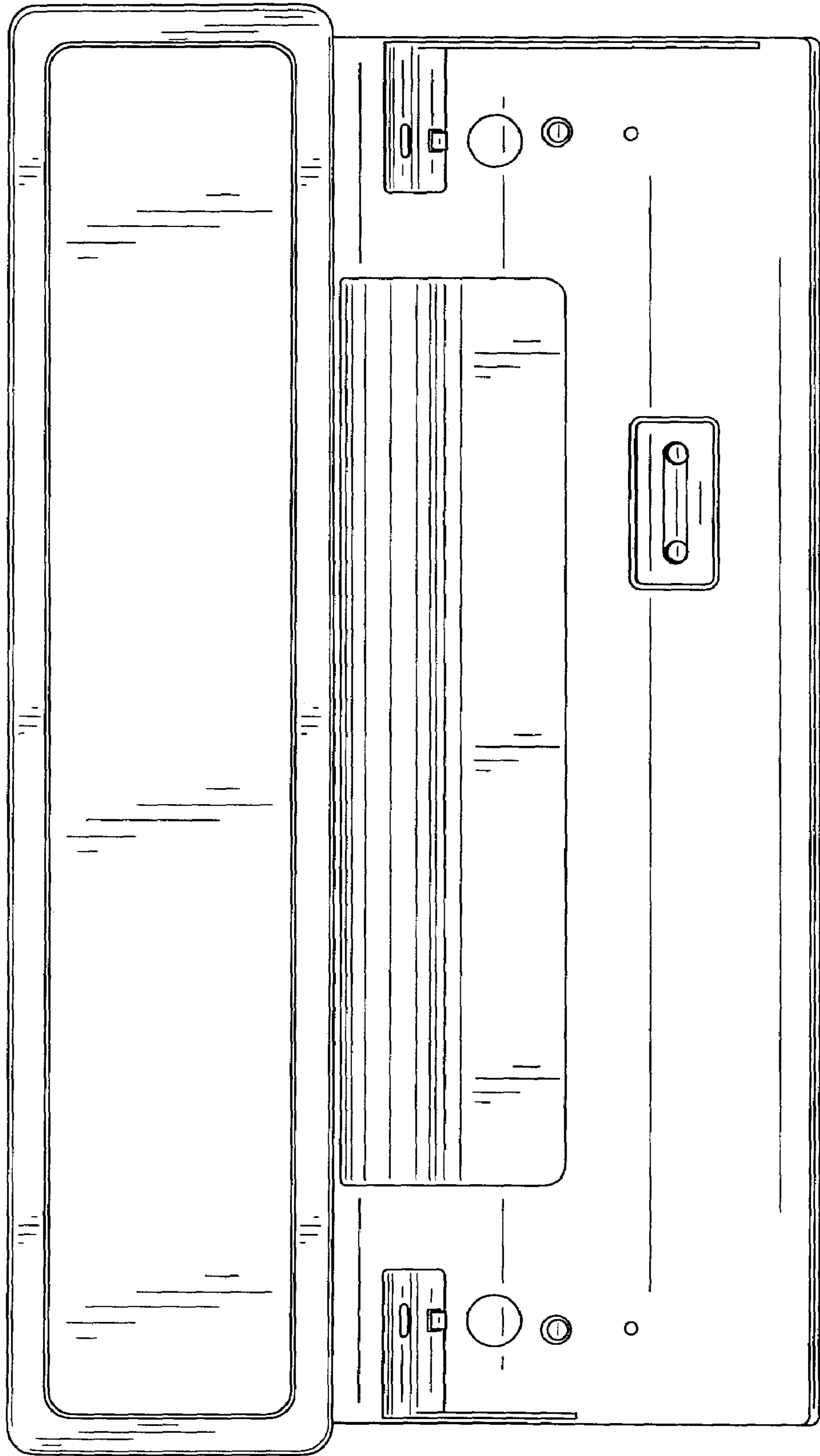


Fig. 7

