



US00D554580S

(12) **United States Design Patent**
Ogasawara

(10) **Patent No.:** **US D554,580 S**

(45) **Date of Patent:** **** Nov. 6, 2007**

(54) **RECHARGEABLE BATTERY FOR
COMPUTER**

(75) Inventor: **Shinichi Ogasawara**, Tokyo (JP)

(73) Assignee: **Sony Corporation**, Tokyo (JP)

(**) Term: **14 Years**

(21) Appl. No.: **29/268,423**

(22) Filed: **Nov. 7, 2006**

(30) **Foreign Application Priority Data**

May 12, 2006 (JP) D2006-012039

(51) **LOC (8) Cl.** **13-02**

(52) **U.S. Cl.** **D13/103**

(58) **Field of Classification Search** D13/102-106,
D13/110, 118-119, 184; 429/96-100, 163,
429/176

See application file for complete search history.

(56) **References Cited**

U.S. PATENT DOCUMENTS

D225,109 S	*	11/1972	Filder	D13/119
D267,795 S	*	2/1983	Mallon	D13/119
D303,524 S	*	9/1989	Siegner et al.	D14/438
D391,622 S	*	3/1998	Huynh et al.	D13/103
D400,161 S	*	10/1998	Nagele et al.	D13/103
D431,227 S		9/2000	Ogasawara		
D448,003 S	*	9/2001	Ogasawara	D13/103
D457,857 S		5/2002	Ogasawara		

D515,025 S	*	2/2006	Yokota	D13/103
D517,475 S		3/2006	Yokota		
D519,919 S		5/2006	Yokota		
D520,942 S	*	5/2006	Yokota	D13/103
D521,448 S	*	5/2006	Yokota	D13/103
D531,574 S	*	11/2006	Yamada	D13/103
D531,575 S	*	11/2006	Yamada	D13/103
D535,249 S	*	1/2007	Ogasawara	D13/103

* cited by examiner

Primary Examiner—Alan P. Douglas

Assistant Examiner—Rosemary K. Tarcza

(74) *Attorney, Agent, or Firm*—Rader, Fishman & Grauer PLLC

(57) **CLAIM**

The ornamental design for a rechargeable battery for computer, as shown.

DESCRIPTION

FIG. 1 is a perspective view of a rechargeable battery for computer showing my new design;

FIG. 2 is a front elevational view thereof;

FIG. 3 is a rear elevational view thereof;

FIG. 4 is a left side elevational view thereof;

FIG. 5 is a right side elevational view thereof;

FIG. 6 is a top plan view thereof; and,

FIG. 7 is a bottom plan view thereof.

1 Claim, 7 Drawing Sheets

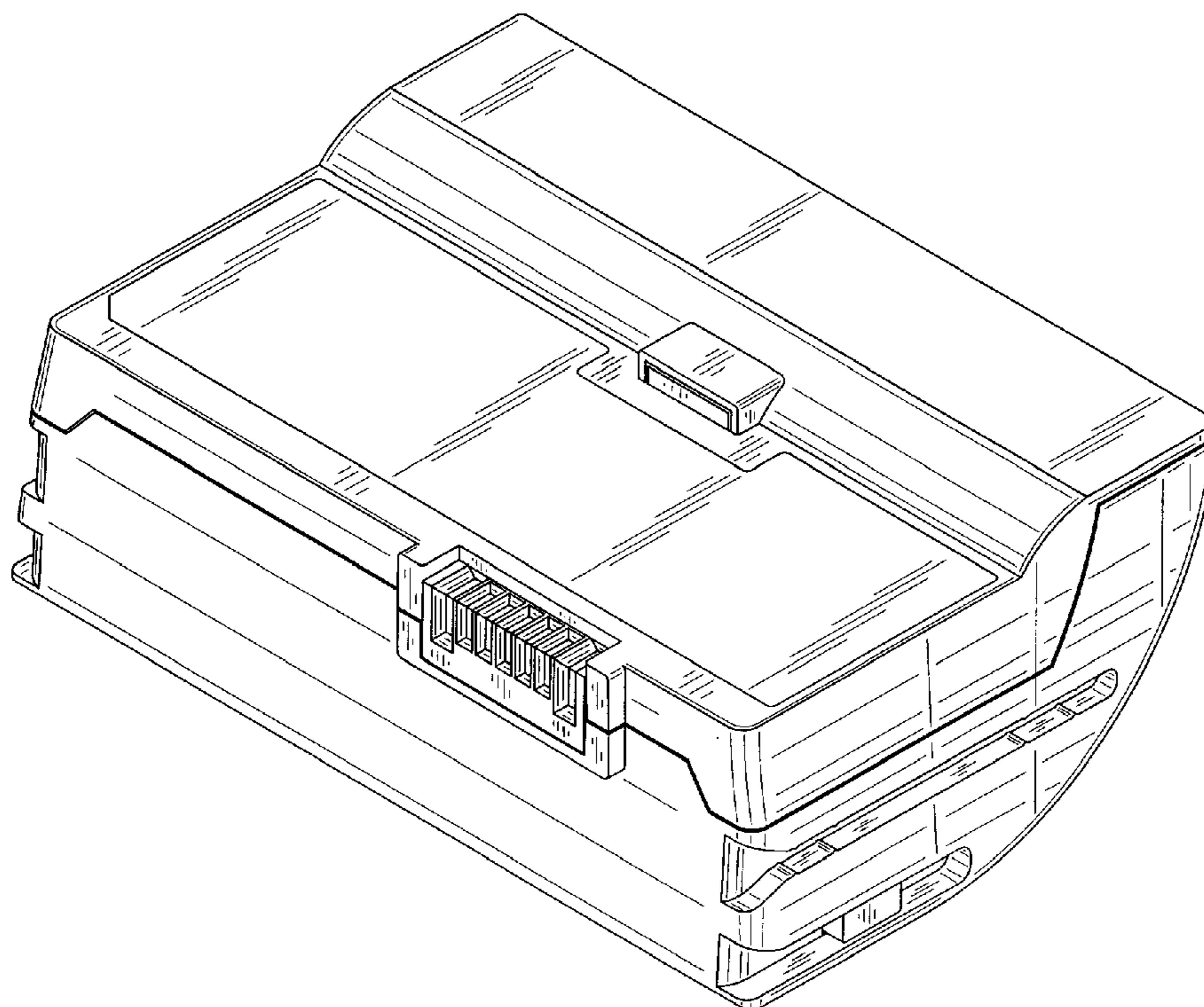


Fig.1

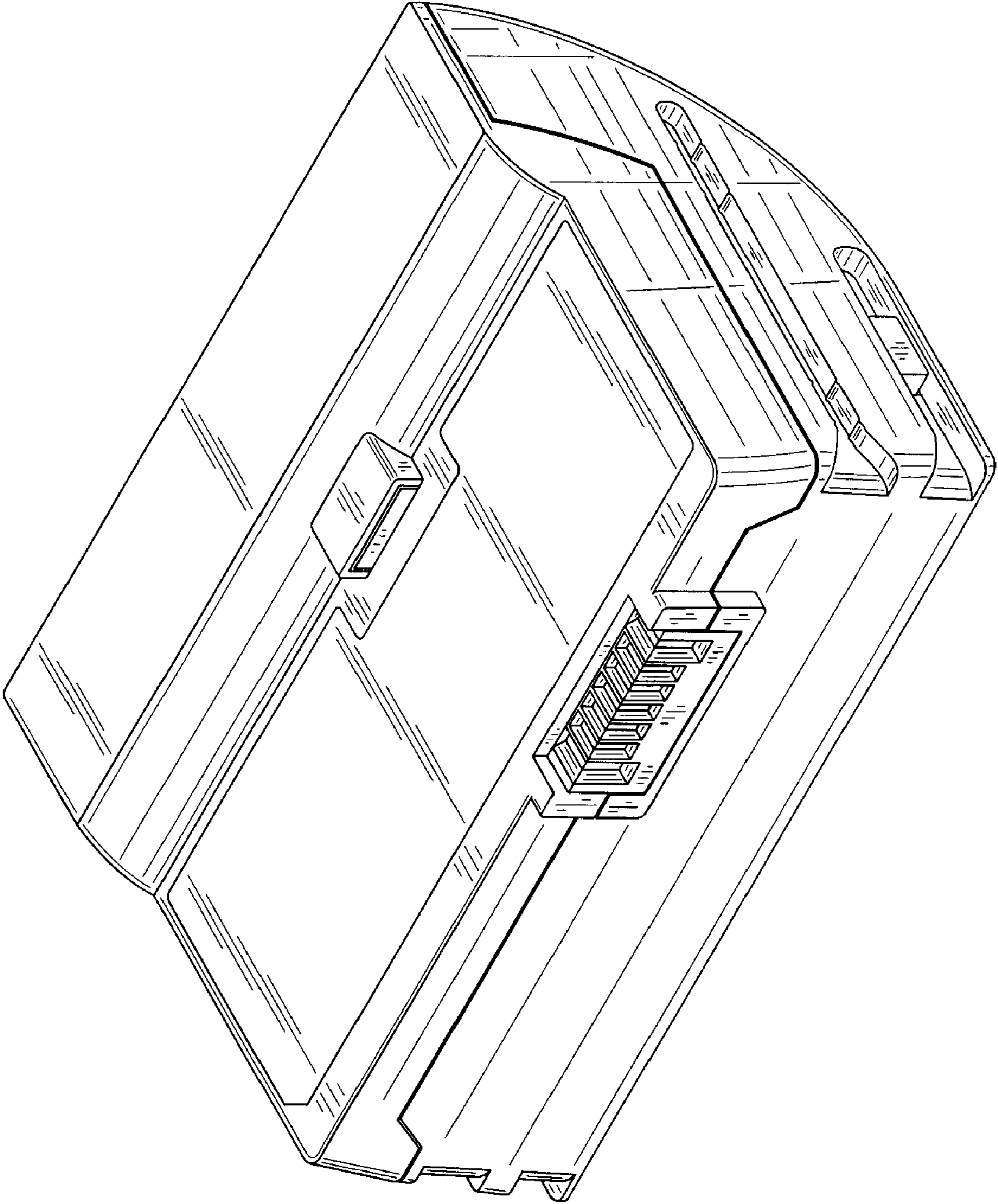


Fig. 2

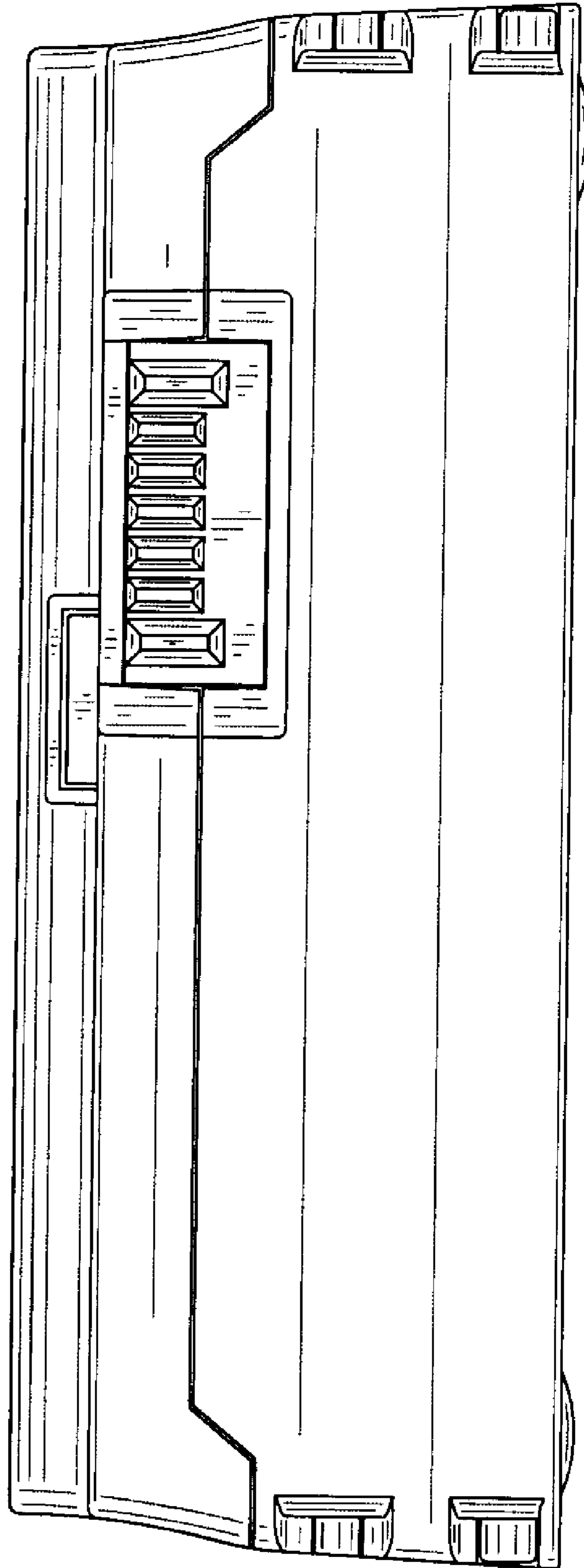


Fig. 3

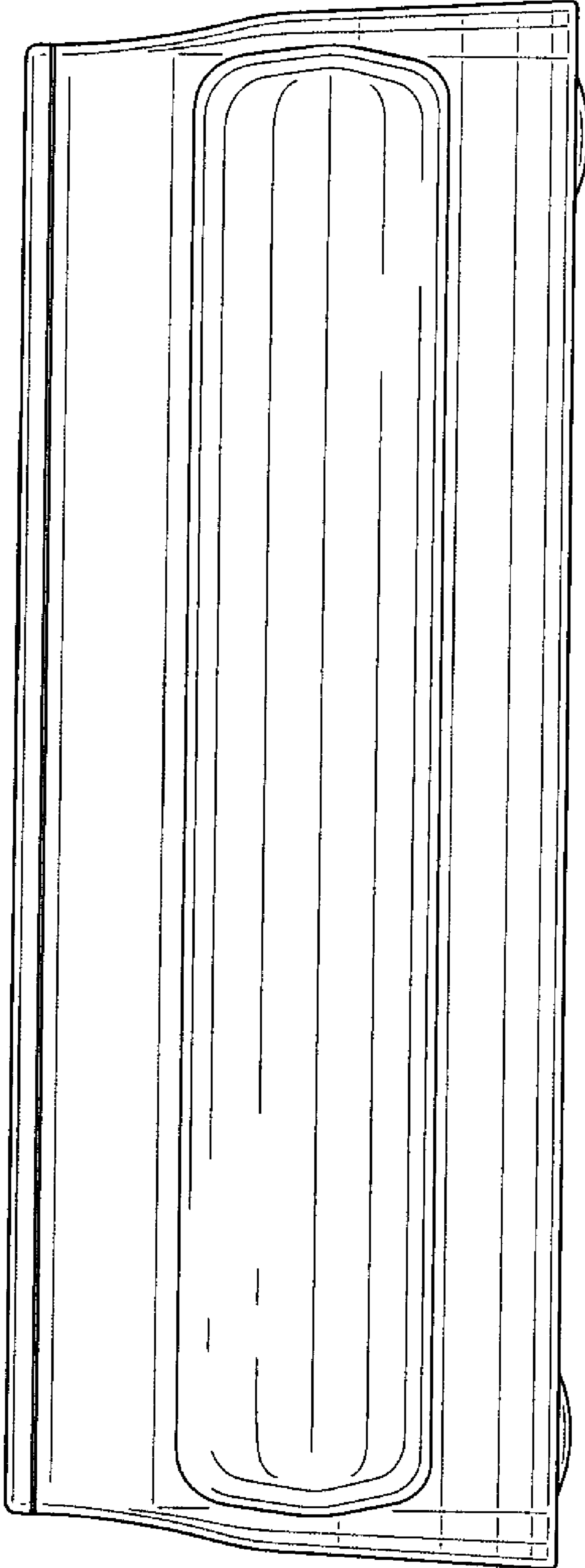


Fig. 4

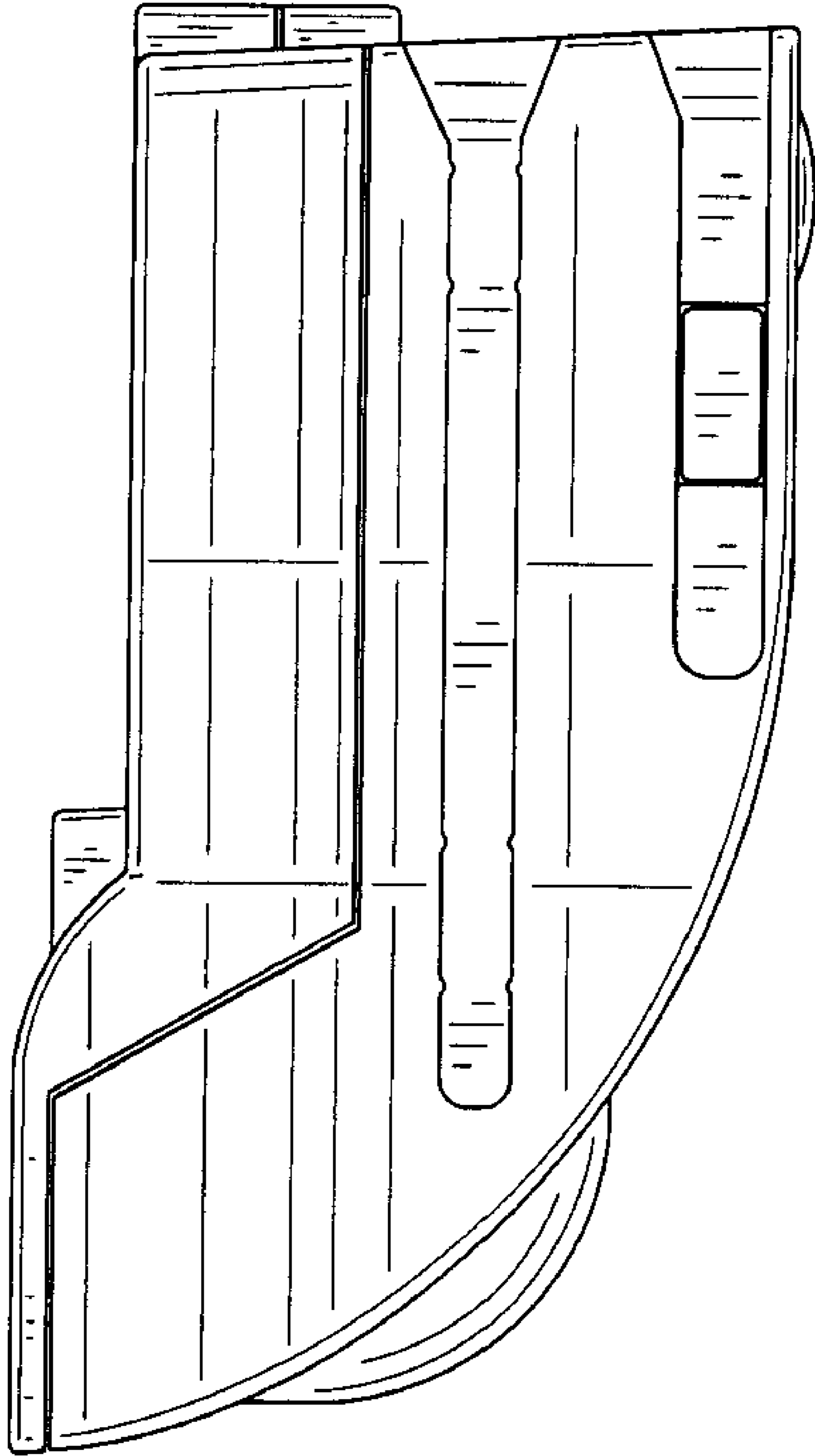


Fig. 5

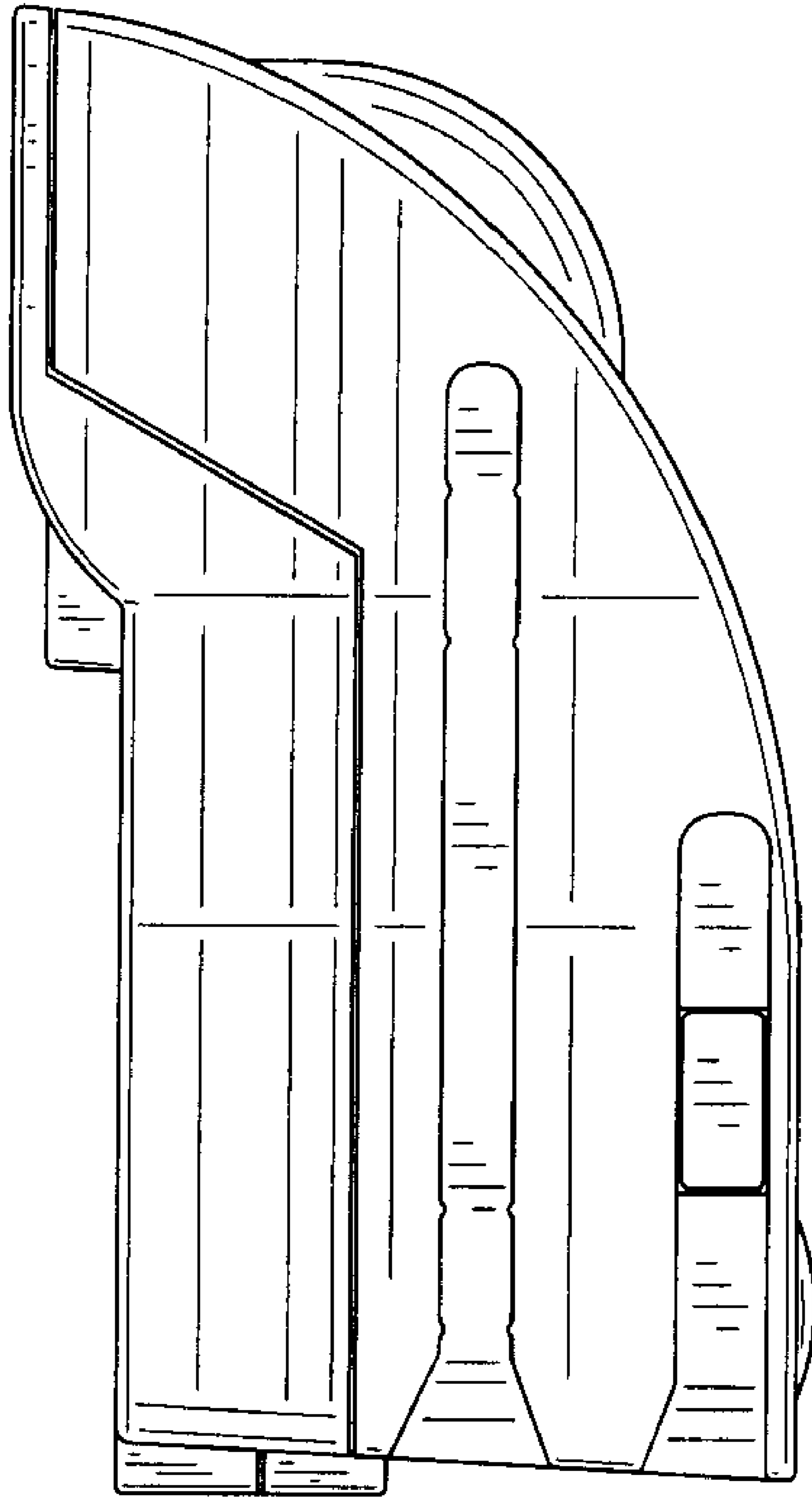


Fig. 6

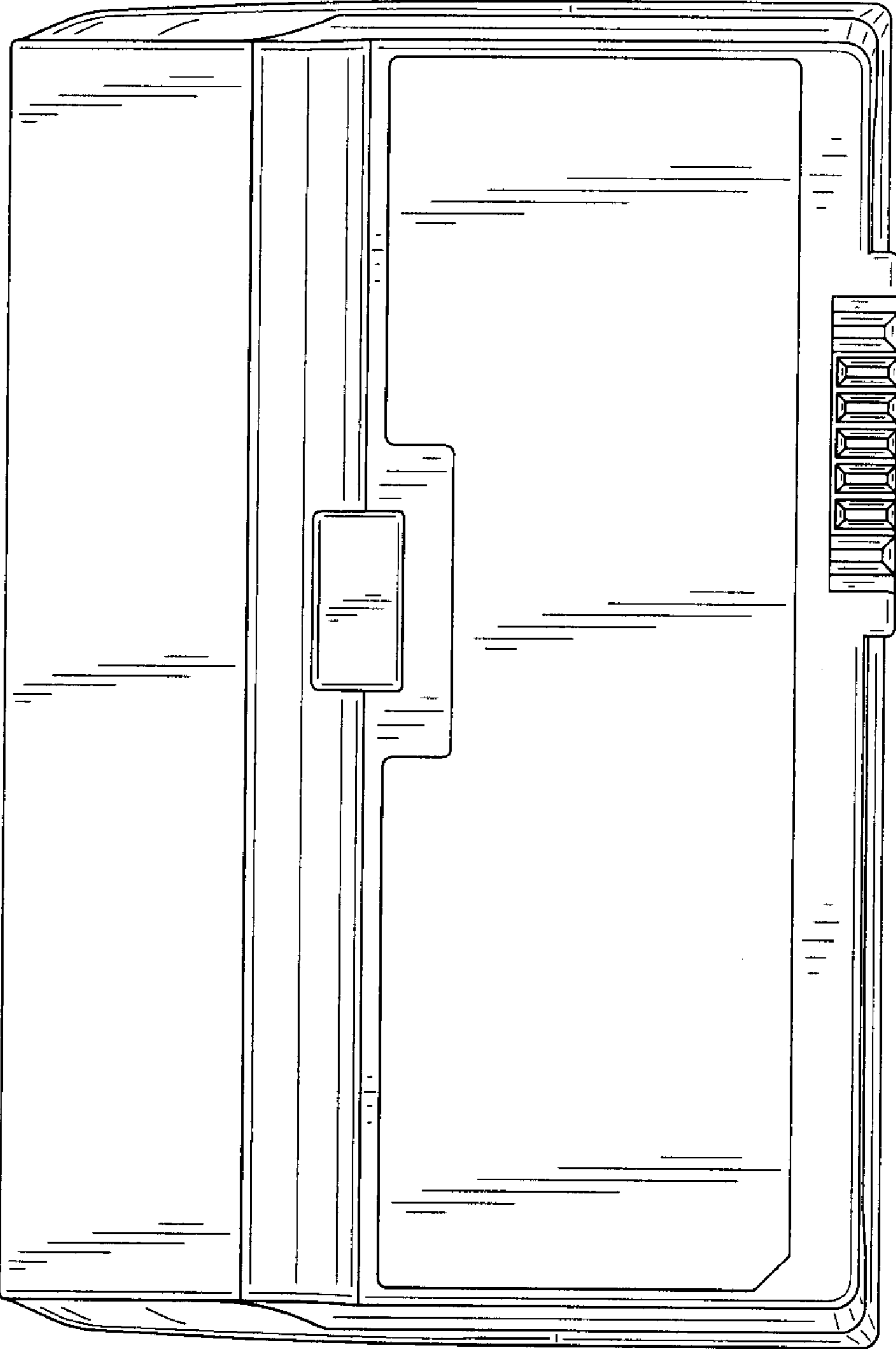


Fig. 7

