



US00D554579S

(12) **United States Design Patent**  
**Ogasawara**

(10) **Patent No.:** **US D554,579 S**

(45) **Date of Patent:** **\*\* Nov. 6, 2007**

(54) **RECHARGEABLE BATTERY FOR  
COMPUTER**

(75) Inventor: **Shinichi Ogasawara**, Tokyo (JP)

(73) Assignee: **Sony Corporation**, Tokyo (JP)

(\*\*) Term: **14 Years**

(21) Appl. No.: **29/268,419**

(22) Filed: **Nov. 7, 2006**

(30) **Foreign Application Priority Data**

May 12, 2006 (JP) ..... D2006-012036

(51) **LOC (8) Cl.** ..... **13-02**

(52) **U.S. Cl.** ..... **D13/103**

(58) **Field of Classification Search** ..... 13/102-106,  
13/110, 118-119, 184; 429/96-100, 163,  
429/176

See application file for complete search history.

(56) **References Cited**

**U.S. PATENT DOCUMENTS**

D267,795 S *	2/1983	Mallon	.....	D13/119
D303,524 S *	9/1989	Siegner et al.	.....	D14/438
D391,622 S *	3/1998	Huynh et al.	.....	D13/103
D400,161 S *	10/1998	Nagele et al.	.....	D13/103
D431,227 S	9/2000	Ogasawara		
D448,003 S *	9/2001	Ogasawara	.....	D13/103
D457,857 S *	5/2002	Ogasawara	.....	D13/103

D515,025 S *	2/2006	Yokota	.....	D13/103
D517,475 S	3/2006	Yokota		
D519,919 S	5/2006	Yokota		
D520,942 S *	5/2006	Yokota	.....	D13/103
D521,448 S *	5/2006	Yokota	.....	D13/103
D531,574 S *	11/2006	Yamada	.....	D13/103
D531,575 S *	11/2006	Yamada	.....	D13/103
D535,249 S *	1/2007	Ogasawara	.....	D13/103

\* cited by examiner

*Primary Examiner*—Alan P. Douglas

*Assistant Examiner*—Rosemary K. Tarcza

(74) *Attorney, Agent, or Firm*—Rader, Fishman & Grauer PLLC

(57) **CLAIM**

The ornamental design for a rechargeable battery for computer, as shown.

**DESCRIPTION**

FIG. 1 is a perspective view of a rechargeable battery for computer showing my new design;

FIG. 2 is a front elevational view thereof;

FIG. 3 is a rear elevational view thereof;

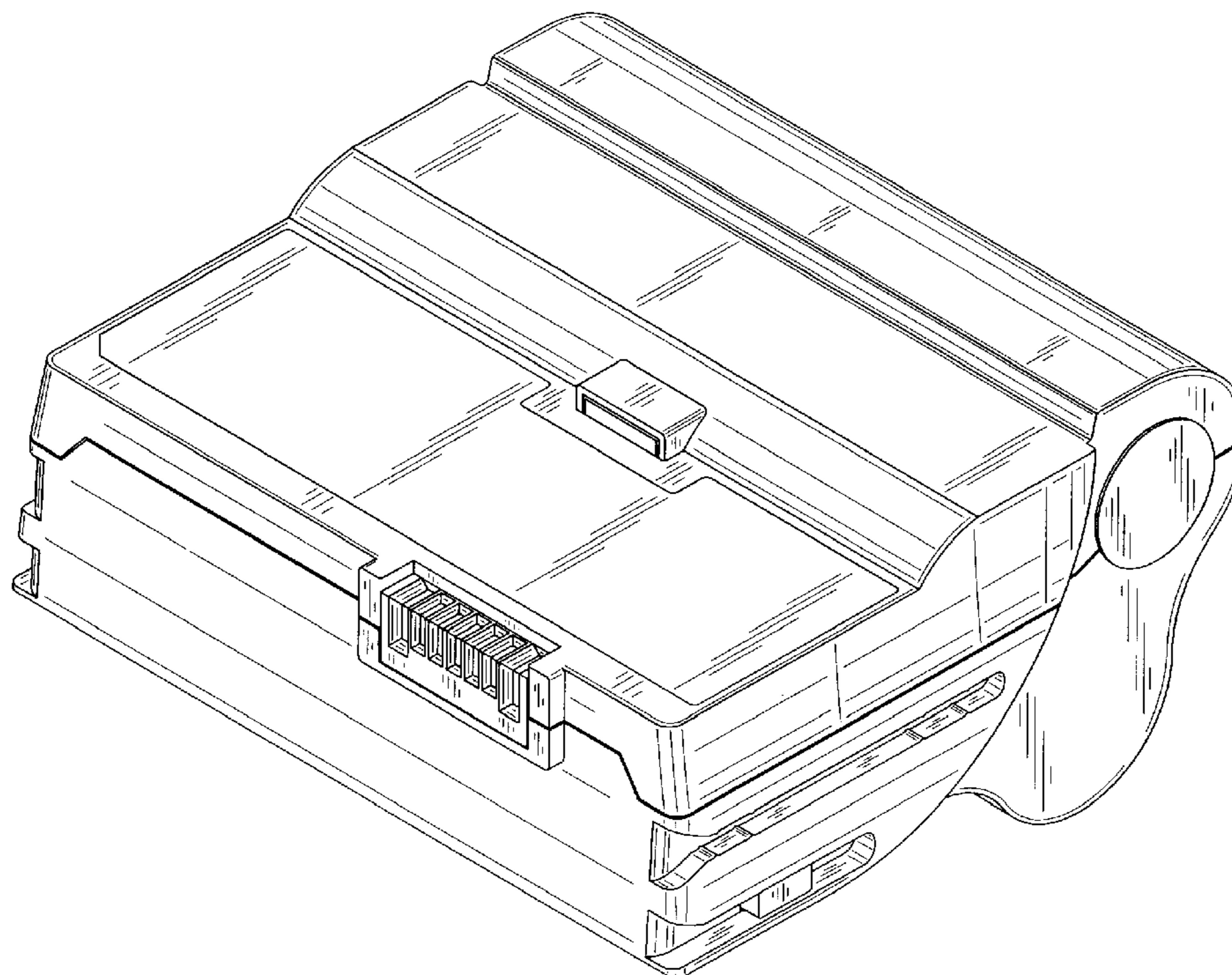
FIG. 4 is a left side elevational view thereof;

FIG. 5 is a right side elevational view thereof;

FIG. 6 is a top plan view thereof; and,

FIG. 7 is a bottom plan view thereof.

**1 Claim, 7 Drawing Sheets**



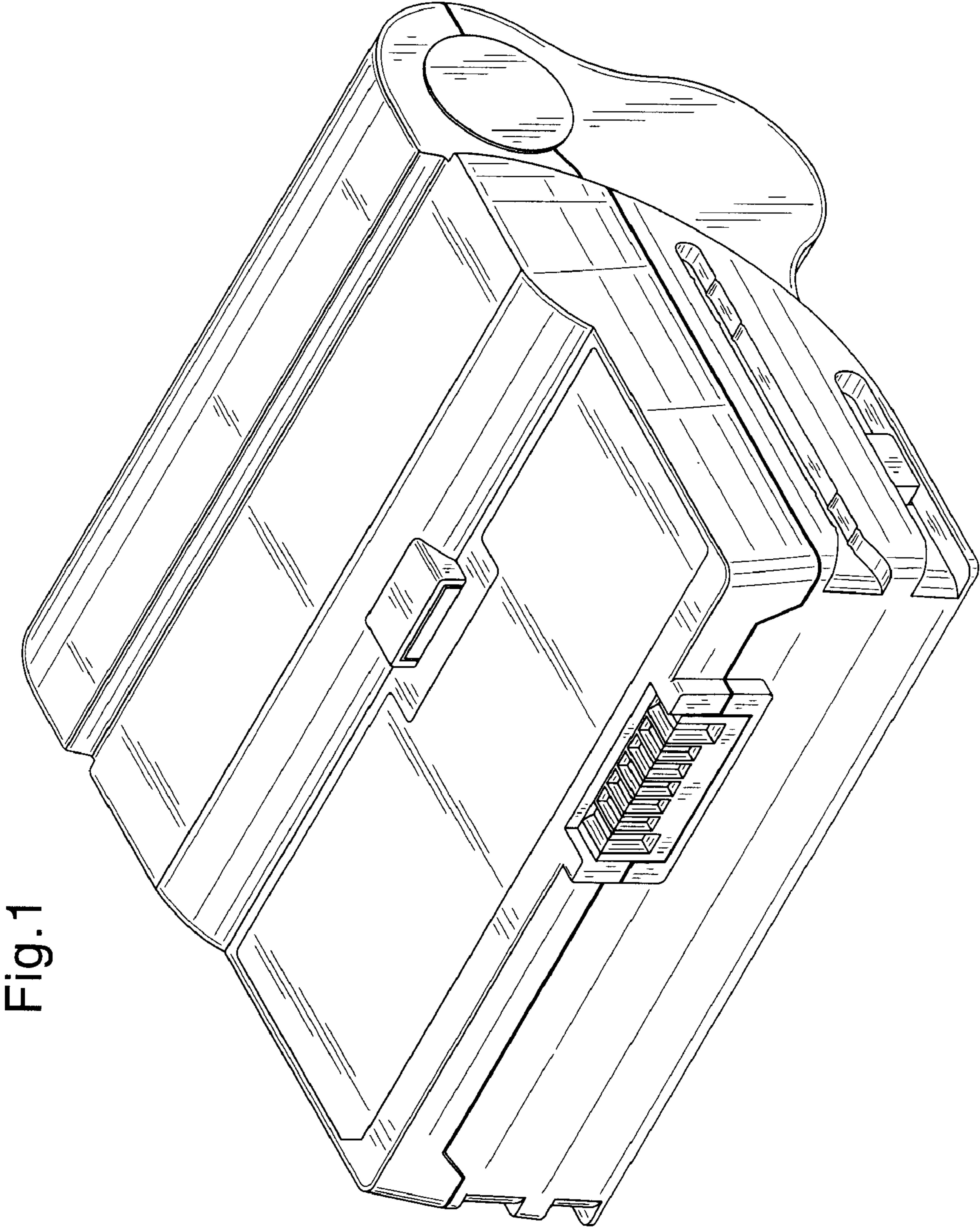


Fig. 1

Fig.2

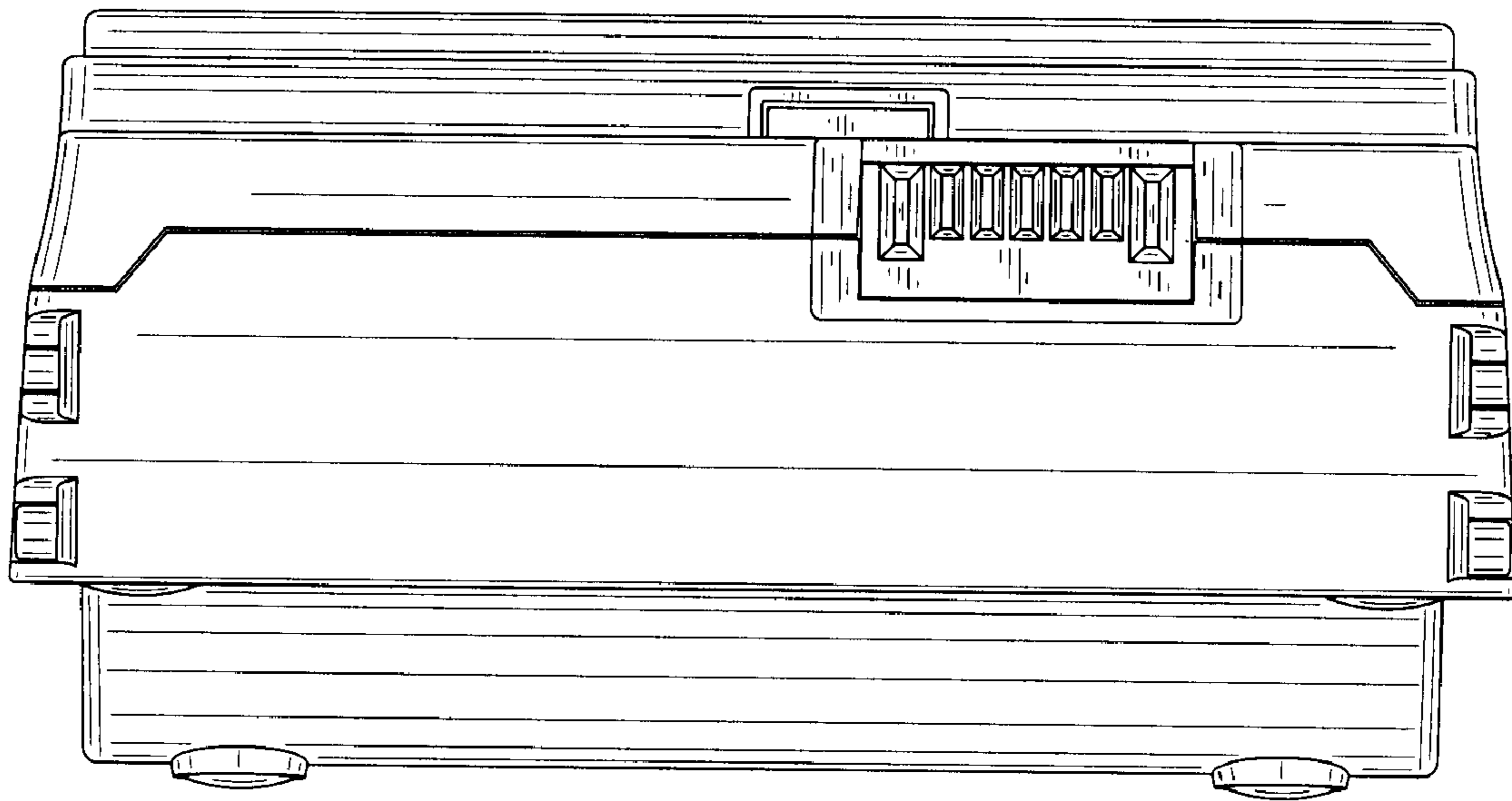


Fig.3

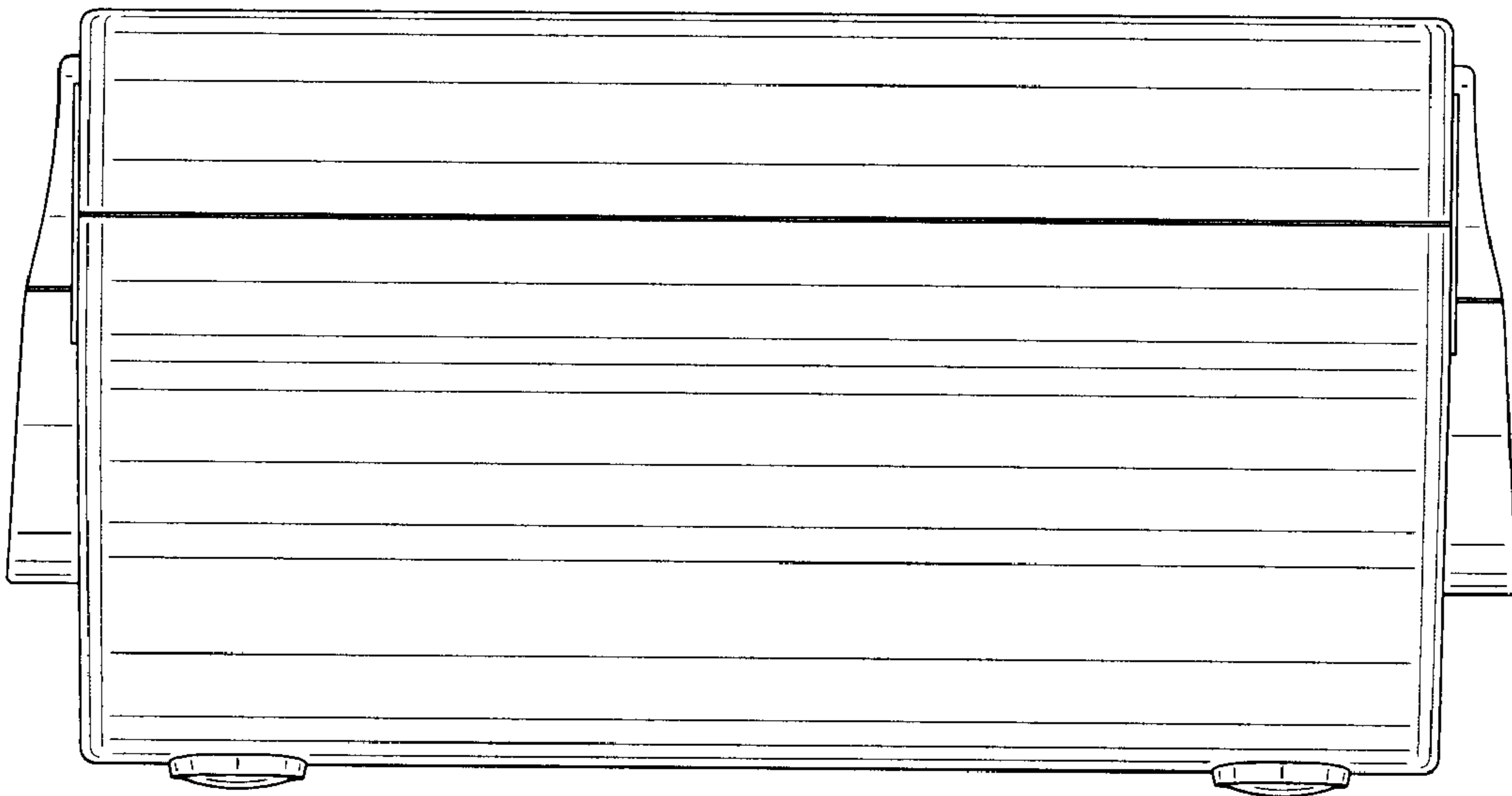


Fig.4

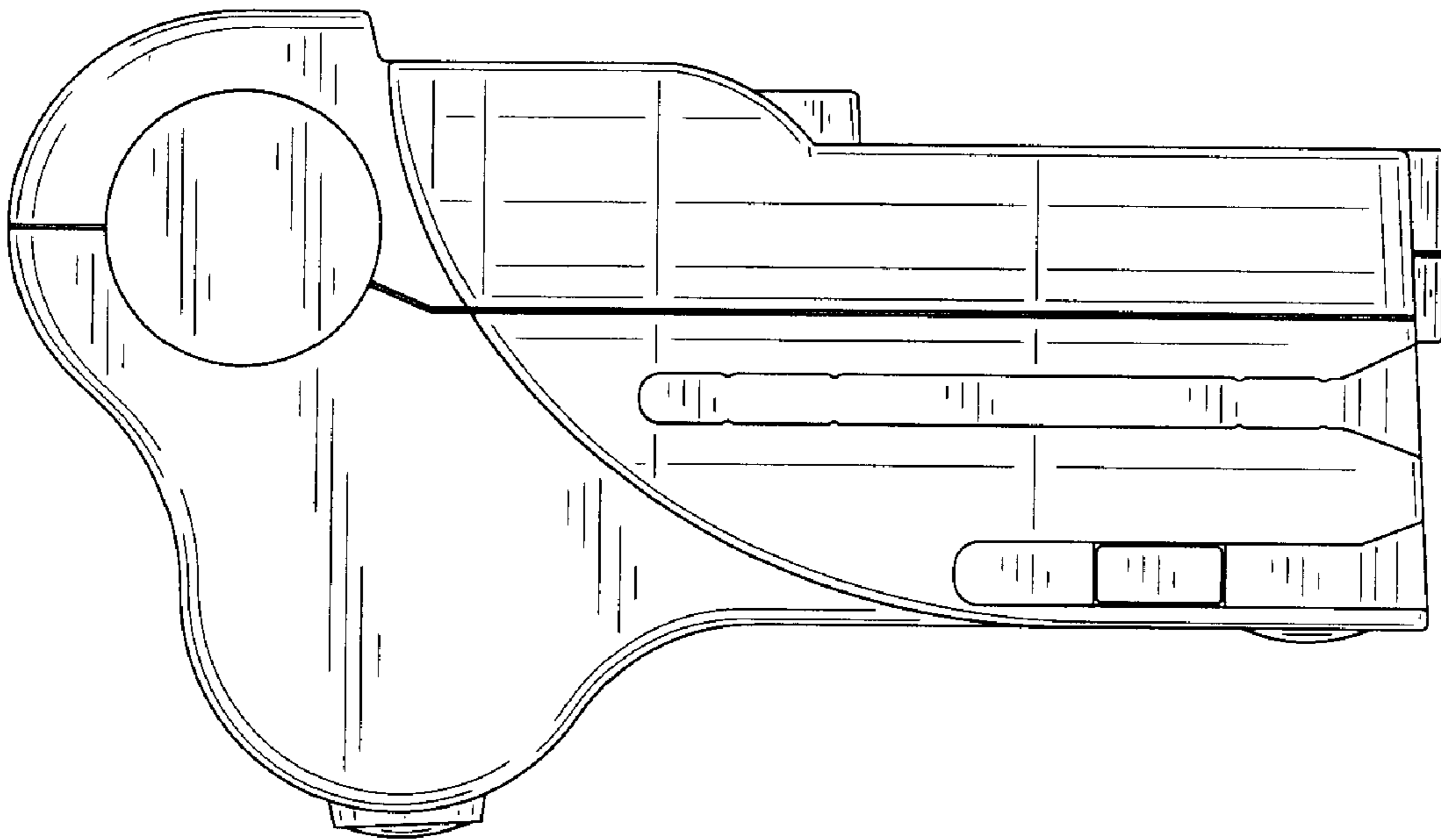


Fig.5

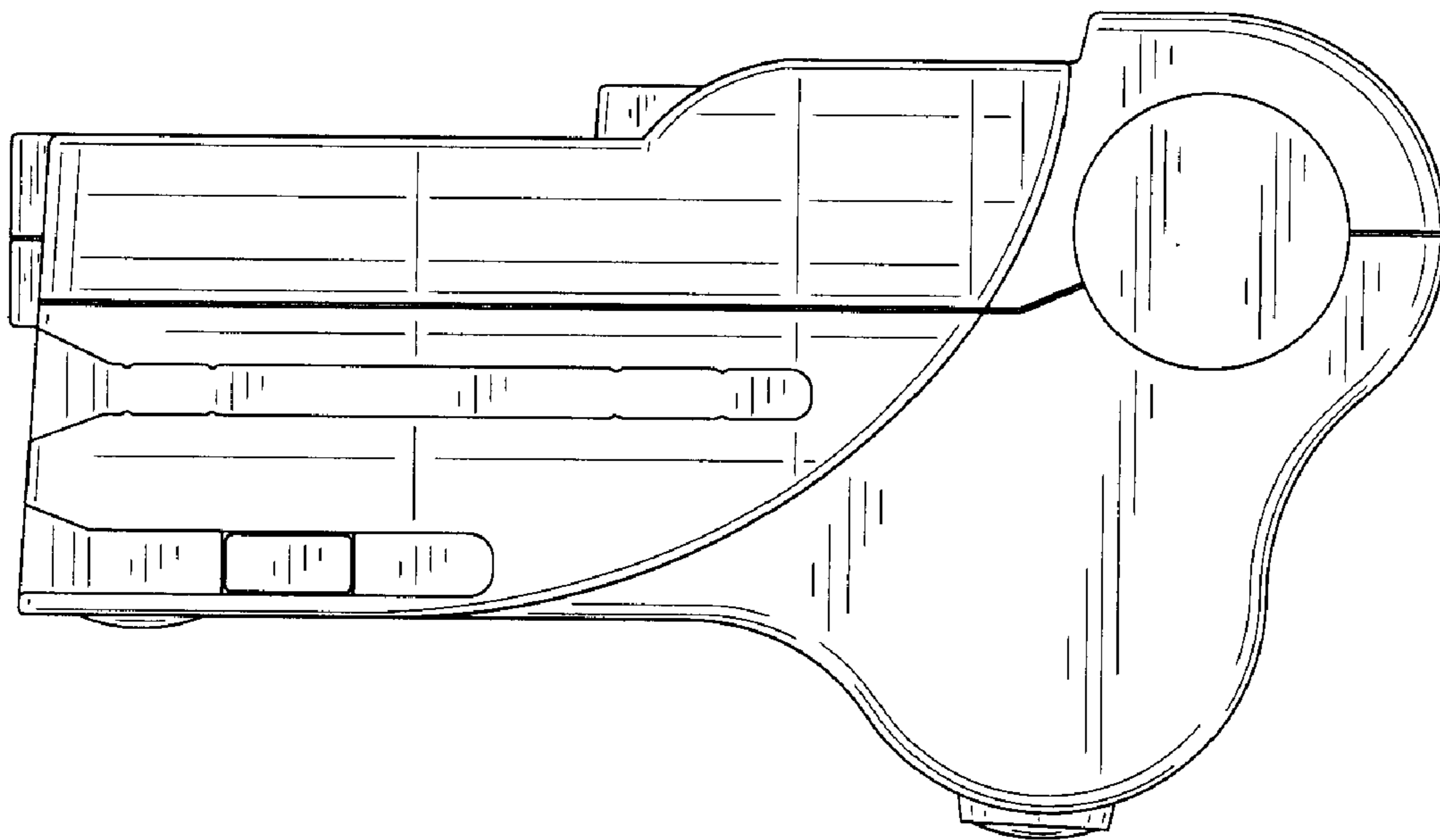


Fig.6

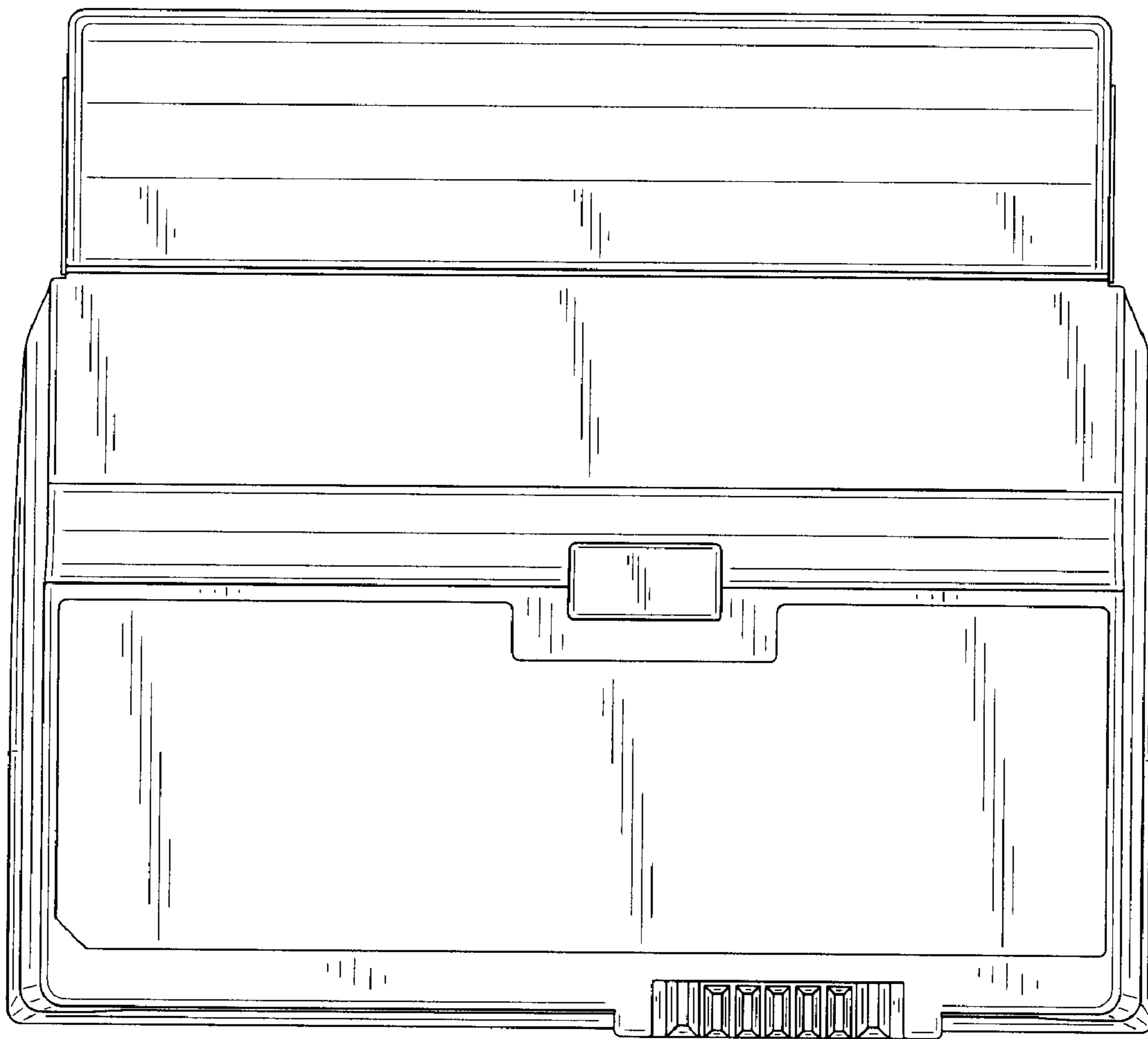


Fig.7

