

US00D554574S

(12) **United States Design Patent** (10) **Patent No.:** **US D554,574 S**  
**Hanson et al.** (45) **Date of Patent:** **\*\* Nov. 6, 2007**

(54) **ROOF CANOPY**

2004/0067327 A1 4/2004 Cook  
2004/0067360 A1 4/2004 Steenblik et al.

(75) Inventors: **Bradley J. Hanson**, North Augusta, SC (US); **Donald S. Hanson**, Evans, GA (US); **Anthony R. Rossello**, Eagle Mountain, UT (US)

\* cited by examiner

*Primary Examiner*—Stacia Cadmus  
(74) *Attorney, Agent, or Firm*—Harness, Dickey & Pierce, P.L.C.

(73) Assignee: **Textron Inc.**, Providence, RI (US)

(\*\*) Term: **14 Years**

(57) **CLAIM**

(21) Appl. No.: **29/276,709**

The ornamental design for a roof canopy, as shown and described.

(22) Filed: **Feb. 2, 2007**

**DESCRIPTION**

(51) **LOC (8) Cl.** ..... **12-16**

FIG. 1 is a perspective view of a roof canopy;

(52) **U.S. Cl.** ..... **D12/401**

FIG. 2 is a rear plan view thereof;

(58) **Field of Classification Search** ..... D12/401,

FIG. 3 is a front plan view thereof;

D12/16, 403-404; D25/56; 296/100.15-100.16,

FIG. 4 is a top plan view thereof;

296/145, 79-80, 210, 216.1, 78.1, 102; 280/DIG. 5-6;

FIG. 5 is a right side view thereof, (the left side view being a mirror image of the right side);

D15/33

See application file for complete search history.

FIG. 6 is a bottom plan view thereof;

(56) **References Cited**

FIG. 7 is a perspective view of a second embodiment of a roof canopy;

U.S. PATENT DOCUMENTS

D245,592 S \* 8/1977 Davidson ..... D12/16

FIG. 8 is a rear plan view thereof;

4,343,503 A \* 8/1982 Samuelson et al.

FIG. 9 is a front plan thereof;

5,094,500 A \* 3/1992 Maypole et al. .... 296/102

FIG. 10 is a top plan view thereof;

D330,350 S \* 10/1992 Maypole et al. .... D12/16

FIG. 11 is a right side view thereof; and (the left side view being a mirror image of the right side); and,

D394,637 S \* 5/1998 Camiano ..... D12/401

FIG. 12 is a bottom plan view thereof.

D431,018 S \* 9/2000 Maypole ..... D12/401

The lines shown in phantom are for illustrative purposes only and do not form part of the invention.

6,186,584 B1 2/2001 Samuelson et al.

D453,727 S \* 2/2002 Shugar et al. .... D12/401

6,464,291 B2 10/2002 Hynds et al.

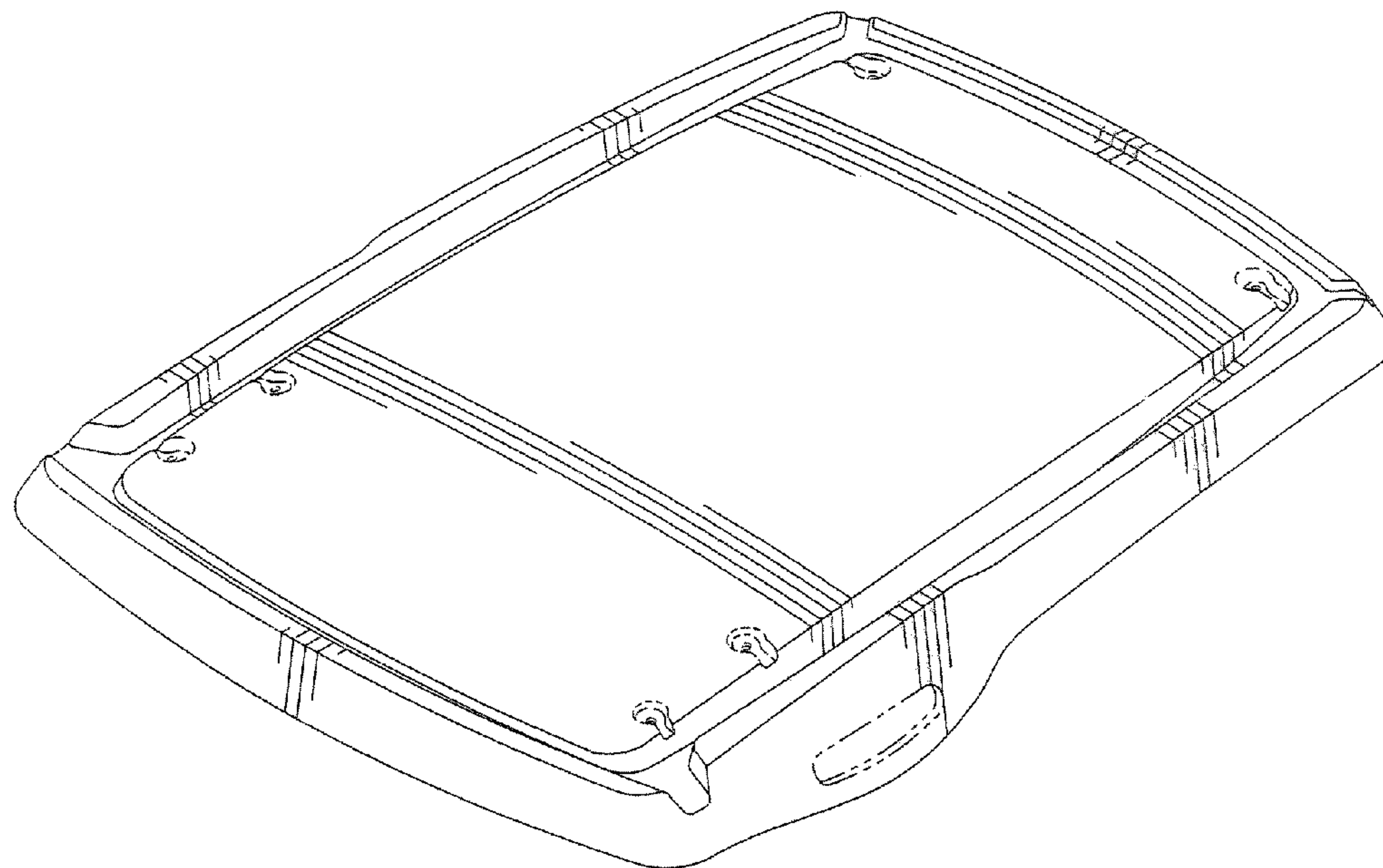
D491,876 S \* 6/2004 Geisler et al. .... D12/401

D497,872 S \* 11/2004 Bonner et al. .... D12/401

D498,704 S \* 11/2004 Bonner et al.

D534,188 S \* 12/2006 Shuttleworth et al. .... D15/33

**1 Claim, 6 Drawing Sheets**



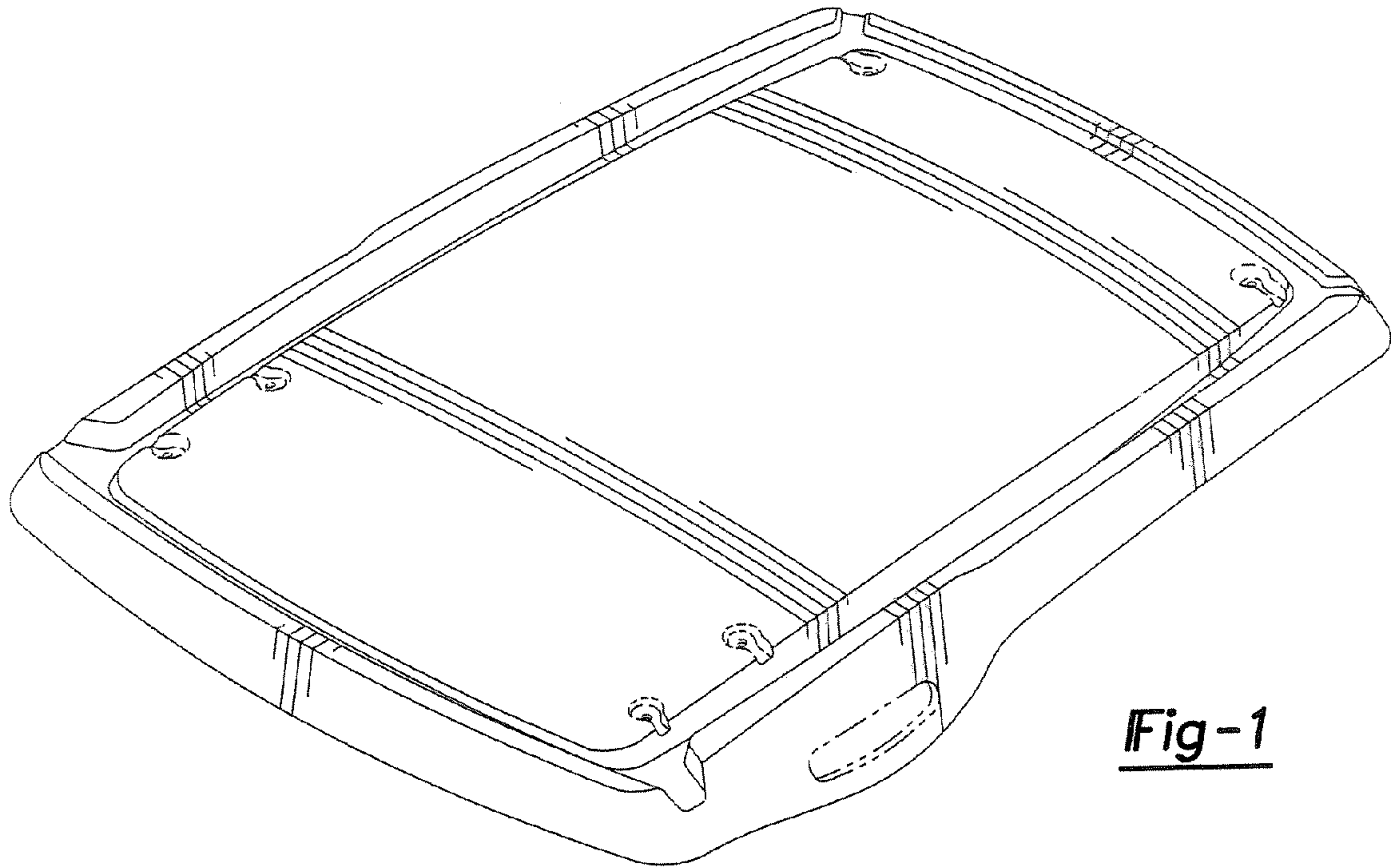


Fig-1

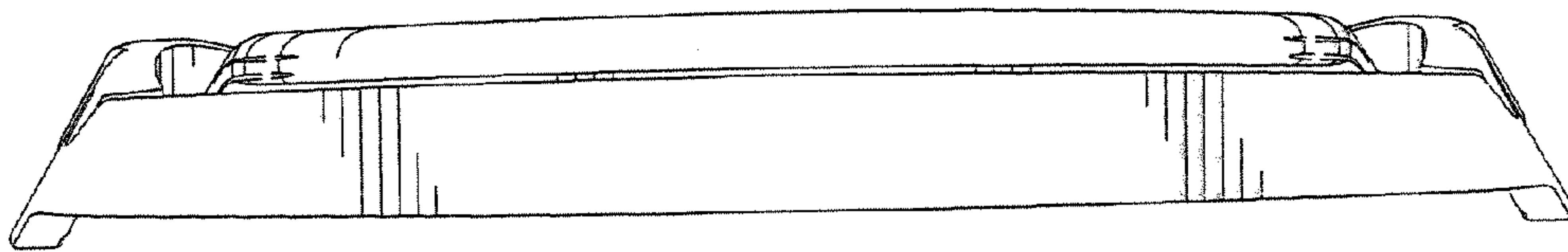


Fig-2

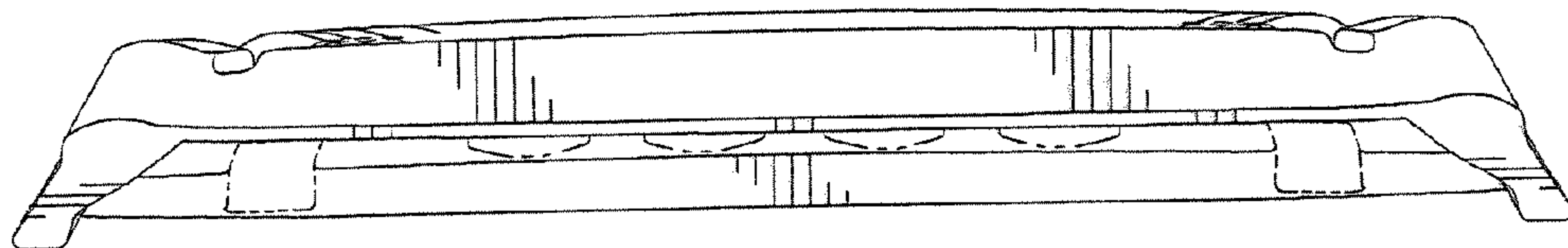


Fig-3

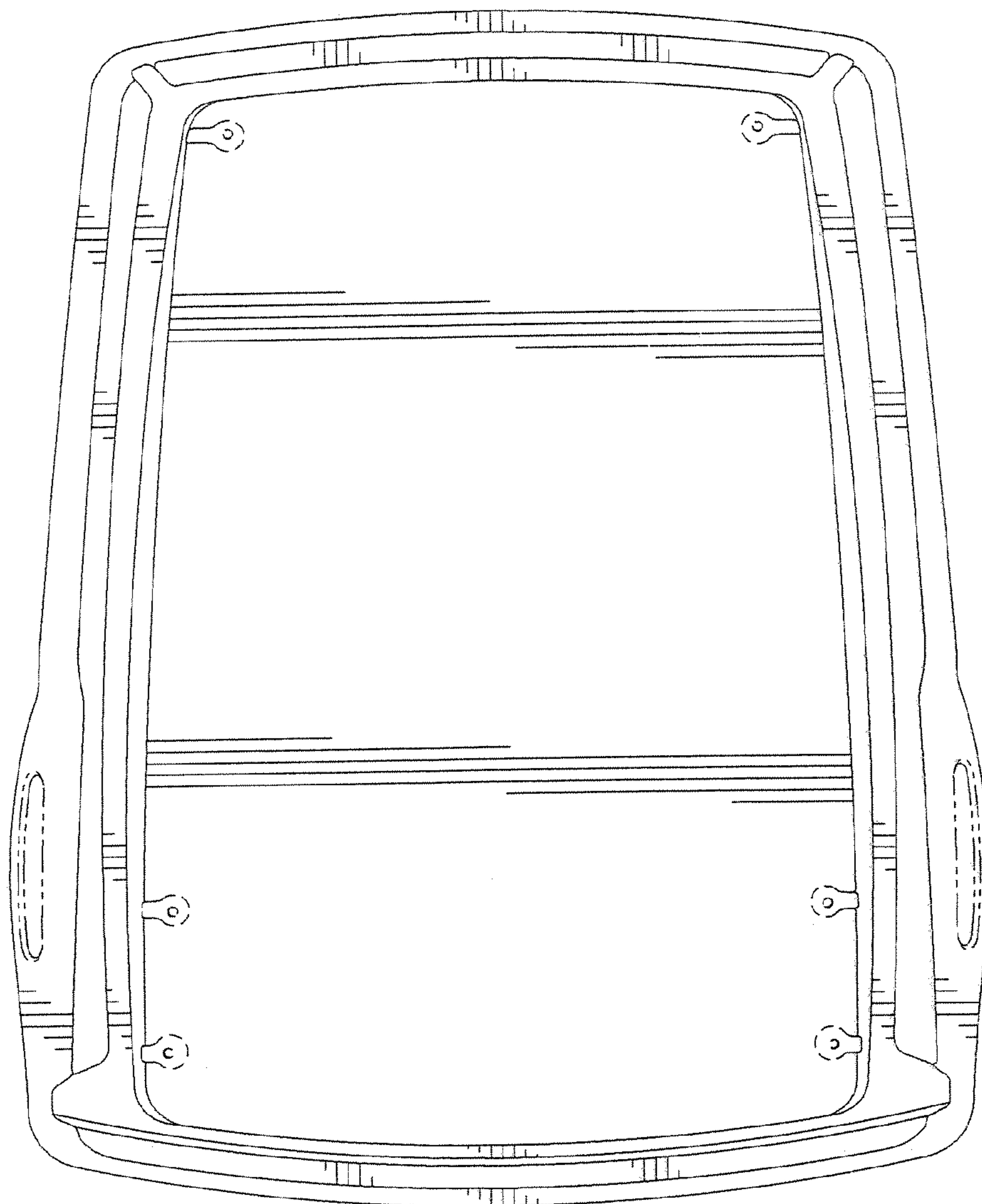


Fig-4



Fig-5



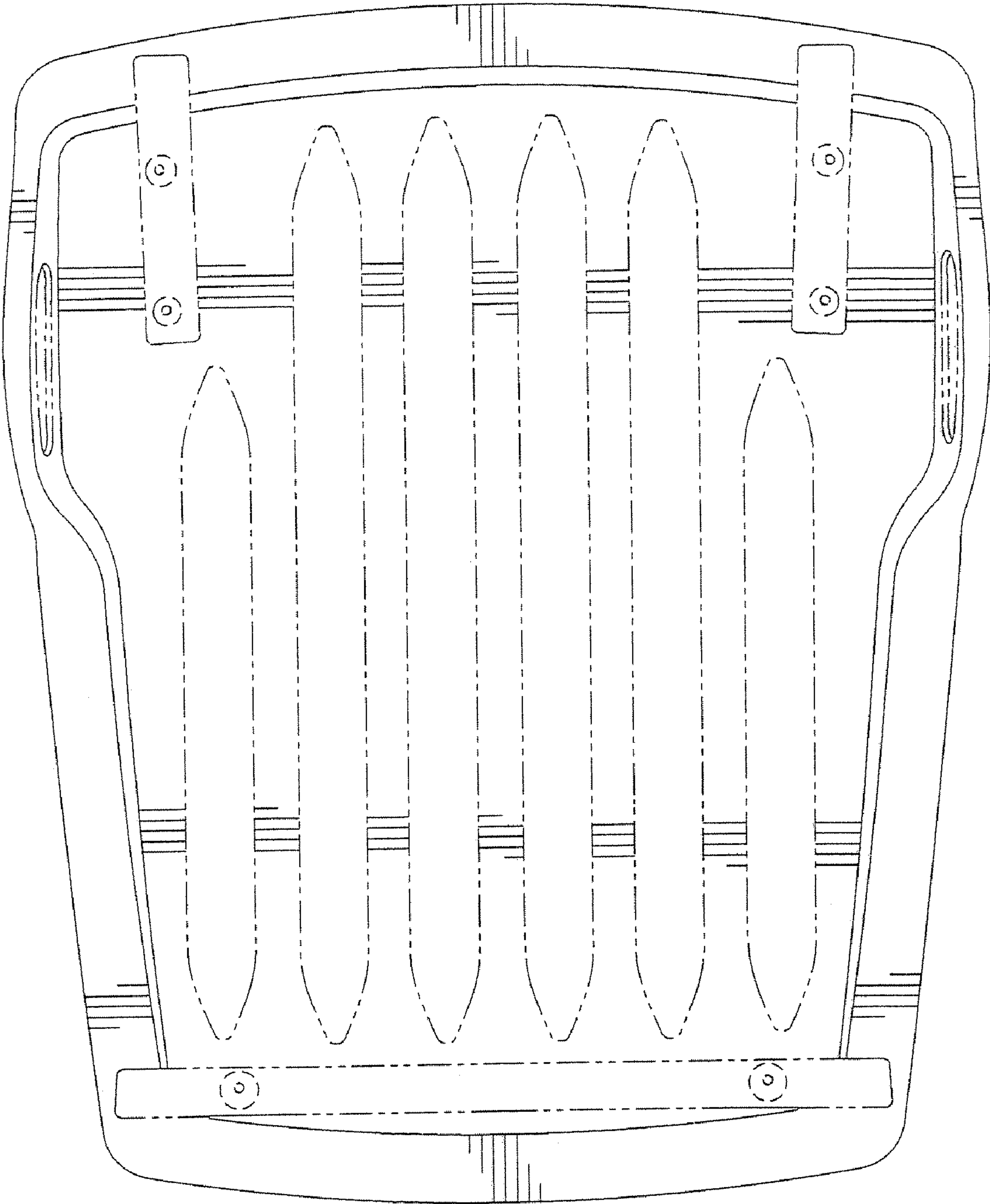


Fig-6

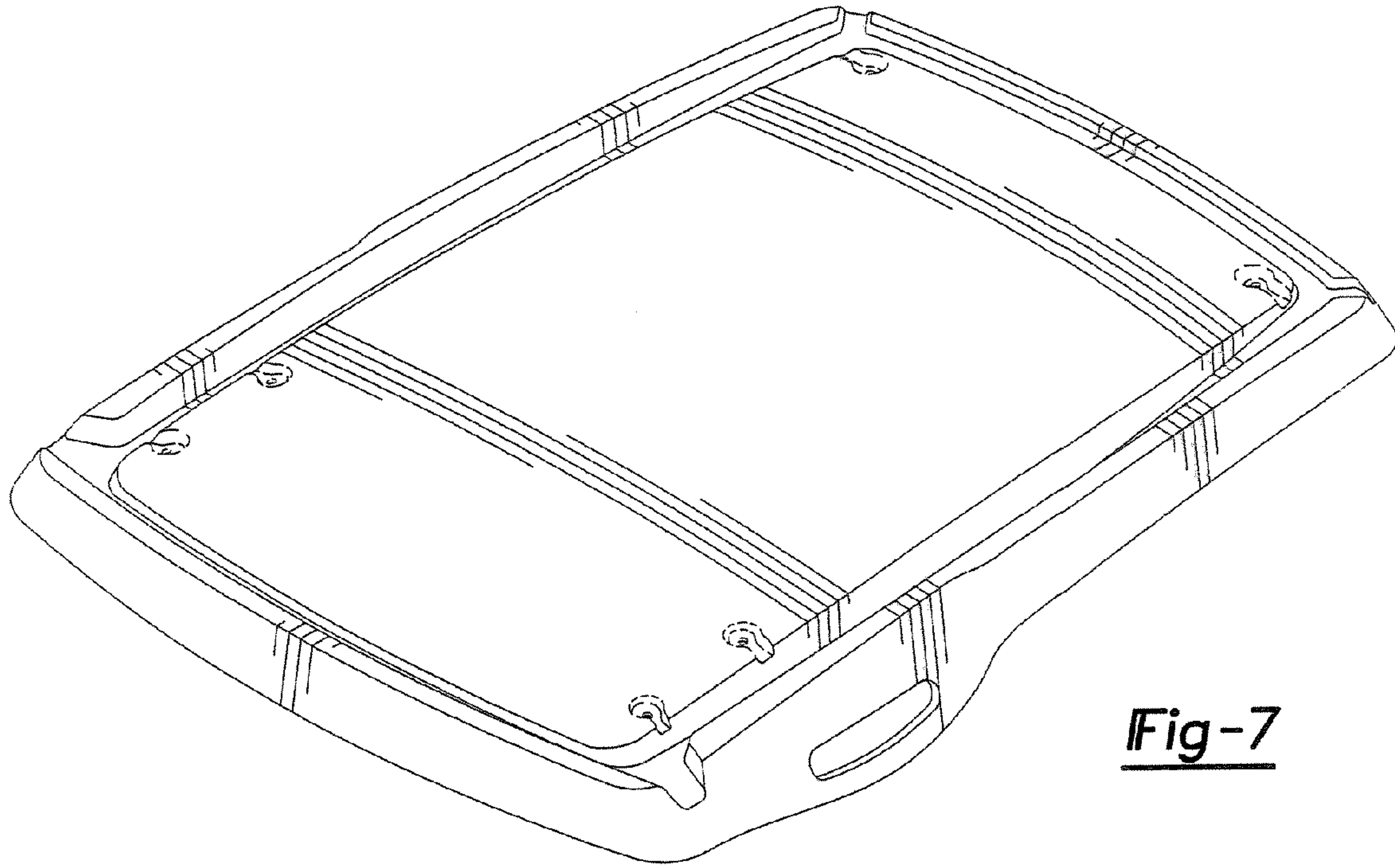


Fig-7

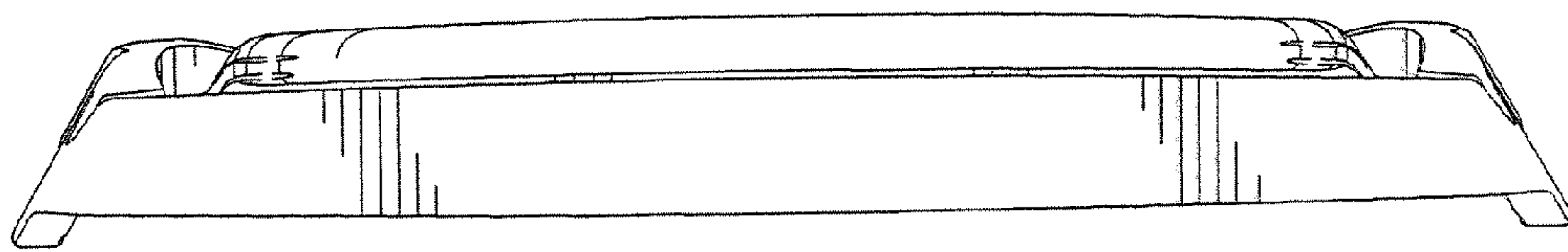


Fig-8

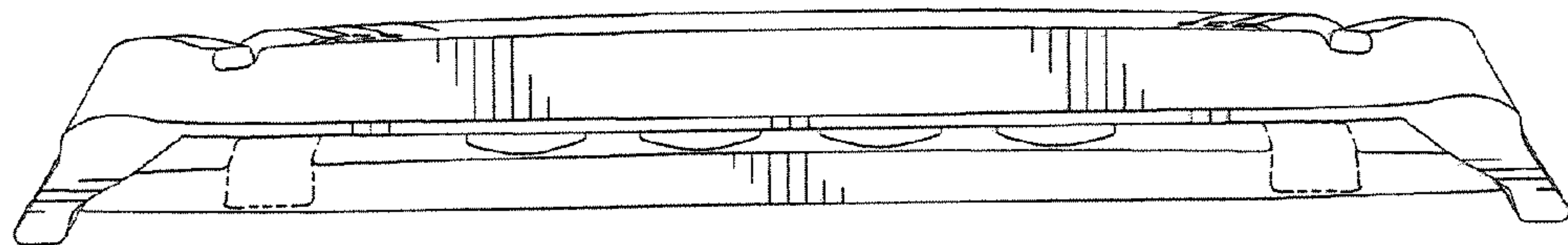


Fig-9

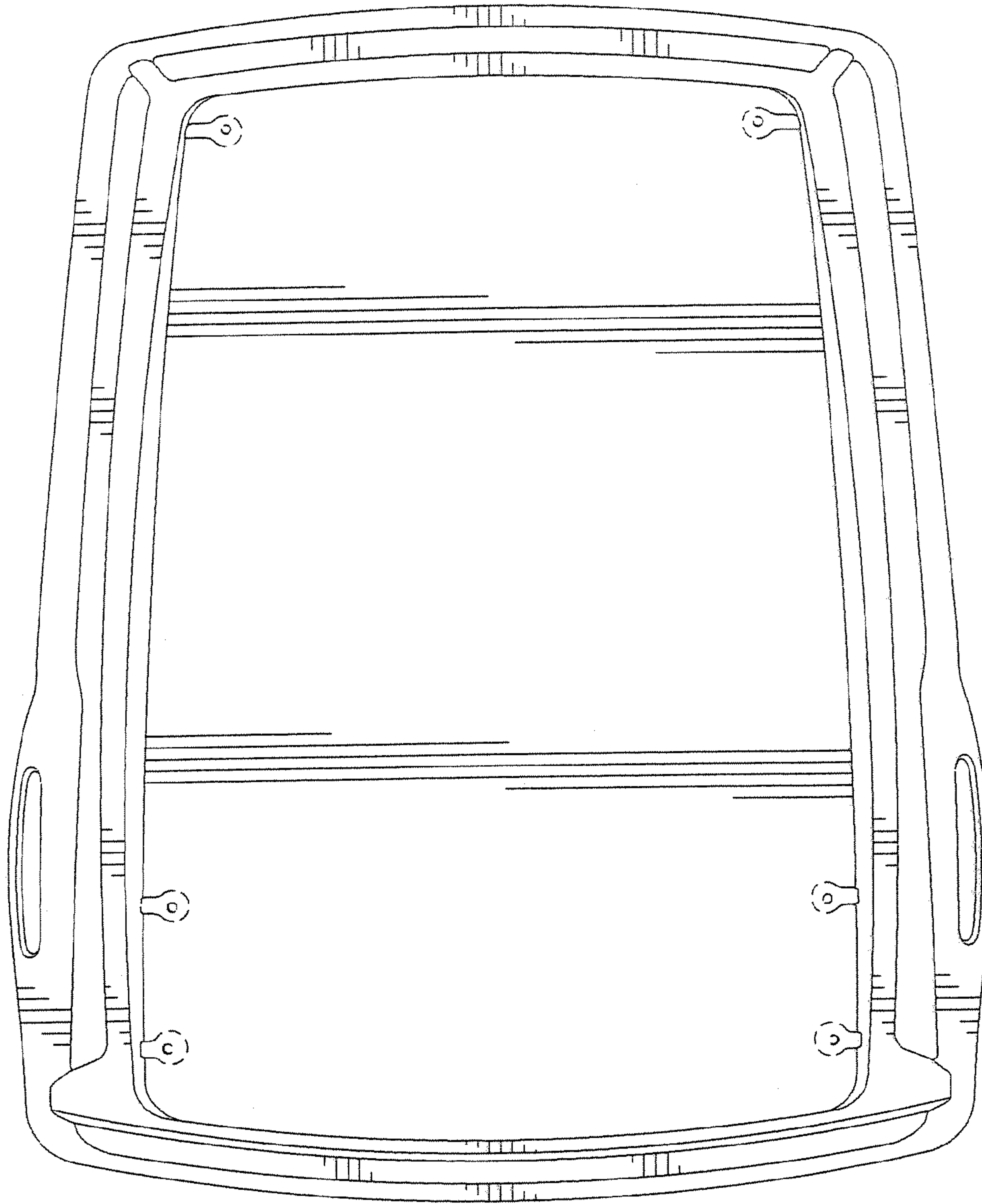


Fig-10



Fig-11

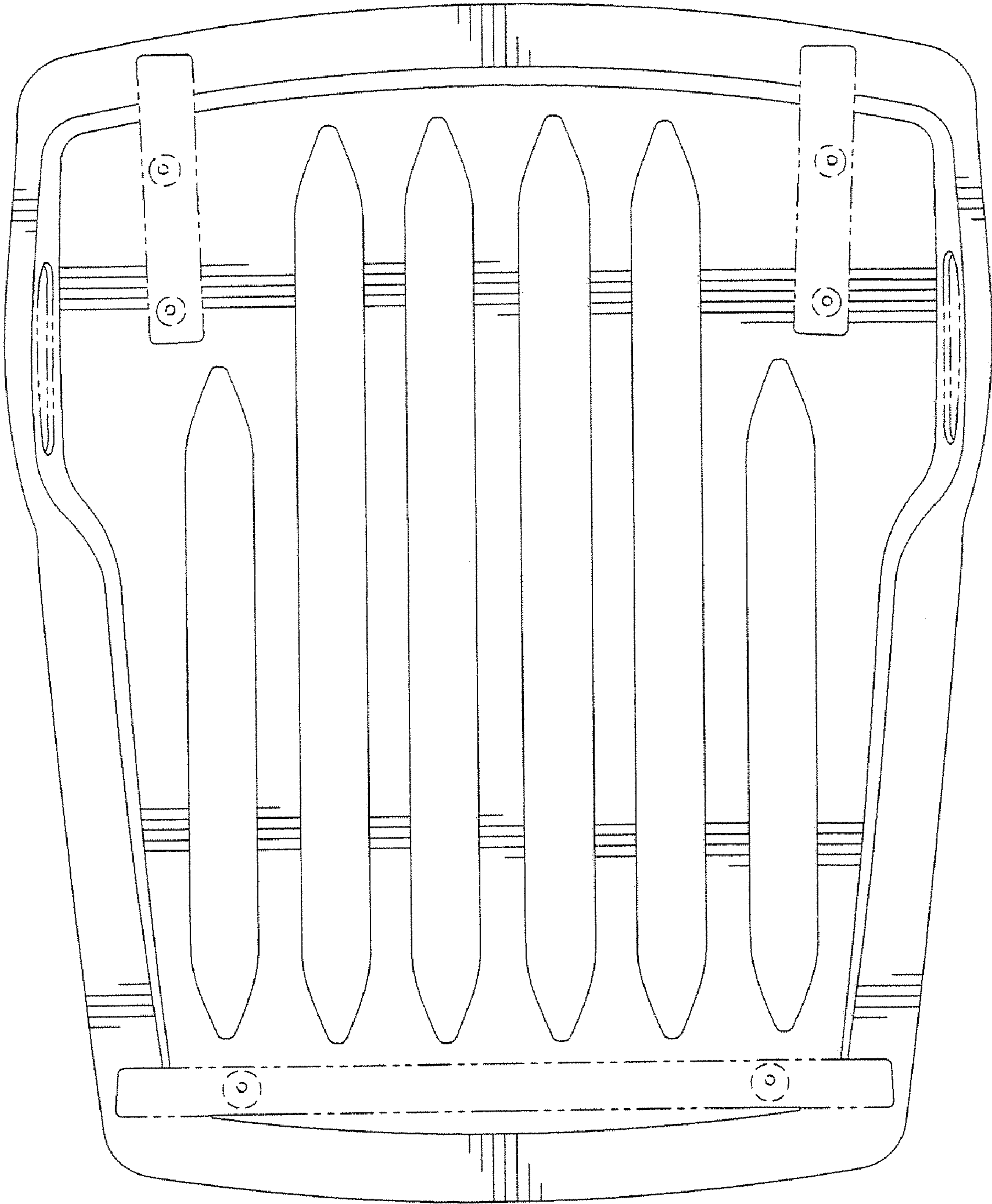


Fig-12