



US00D554572S

(12) **United States Design Patent**
Iguchi

(10) **Patent No.:** **US D554,572 S**

(45) **Date of Patent:** **** Nov. 6, 2007**

(54) **INSTRUMENT PANEL FOR VEHICLES**

(75) Inventor: **Daisuke Iguchi**, Kariya (JP)

(73) Assignee: **Kabushiki Kaisha Toyota Jidoshokki**,
Kariya-shi (JP)

(**) Term: **14 Years**

(21) Appl. No.: **29/273,254**

(22) Filed: **Feb. 27, 2007**

(30) **Foreign Application Priority Data**

Sep. 1, 2006 (JP) 2006-023421

(51) **LOC (8) Cl.** **12-16**

(52) **U.S. Cl.** **D12/192**

(58) **Field of Classification Search** D12/192,
D12/345, 317; 180/90; 280/750-752;
296/190.01-190.09, 70; D15/17, 28; D10/46,
D10/98, 102-103; 362/482, 489; 73/431,
73/866.3

See application file for complete search history.

(56) **References Cited**

U.S. PATENT DOCUMENTS

- D378,585 S * 3/1997 Duguid et al. D12/192
- D397,977 S * 9/1998 Hellhake et al. D12/192
- D413,095 S * 8/1999 Abalos et al. D12/192
- D436,069 S * 1/2001 O'Connell D12/192
- D438,556 S * 3/2001 Kato et al. D18/3.3

- D470,807 S * 2/2003 Wyszogrod et al. D12/192
- D493,395 S * 7/2004 Hill et al. D12/192
- D494,115 S * 8/2004 McPeck et al. D12/192
- D514,995 S * 2/2006 Acton et al. D12/192
- D515,487 S * 2/2006 Tanaka et al. D12/192
- D519,894 S * 5/2006 Asahi et al. D12/192
- D534,468 S * 1/2007 Colburn et al. D12/192
- D538,721 S * 3/2007 Woodard et al. D12/192

* cited by examiner

Primary Examiner—Stacia Cadmus

(74) *Attorney, Agent, or Firm*—Morgan & Finnegan, L.L.P.

(57) **CLAIM**

The ornamental design for an instrument panel for vehicles,
as shown.

DESCRIPTION

FIG. 1 is a front perspective view of my design for an
instrument panel for vehicles;

FIG. 2 is a rear perspective view thereof;

FIG. 3 is a front view thereof;

FIG. 4 is a rear view thereof;

FIG. 5 is a top plan view thereof;

FIG. 6 is a bottom plan view thereof;

FIG. 7 is a right side elevational view thereof; and,

FIG. 8 is a left side elevational view thereof.

1 Claim, 8 Drawing Sheets

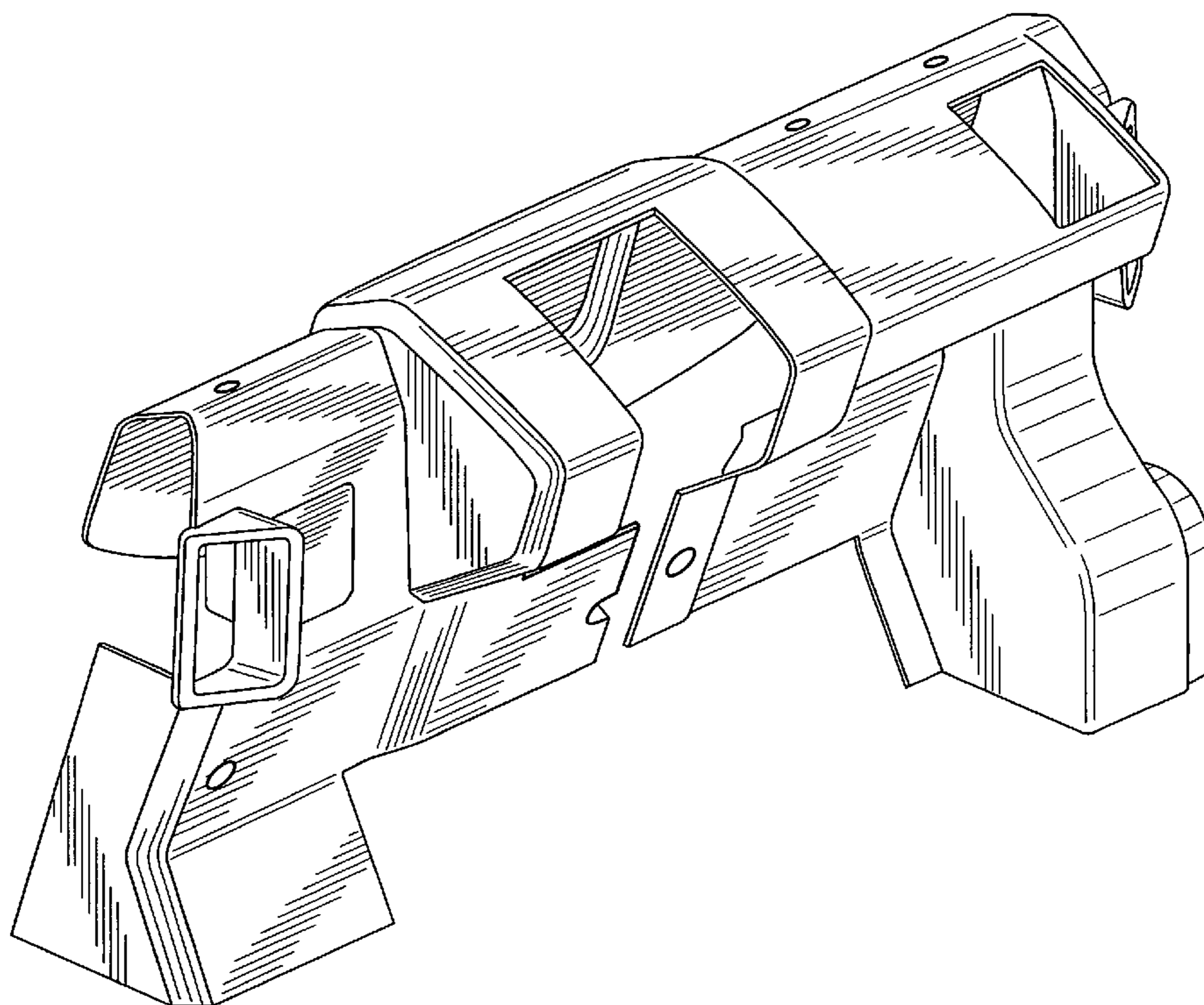


FIG. 1

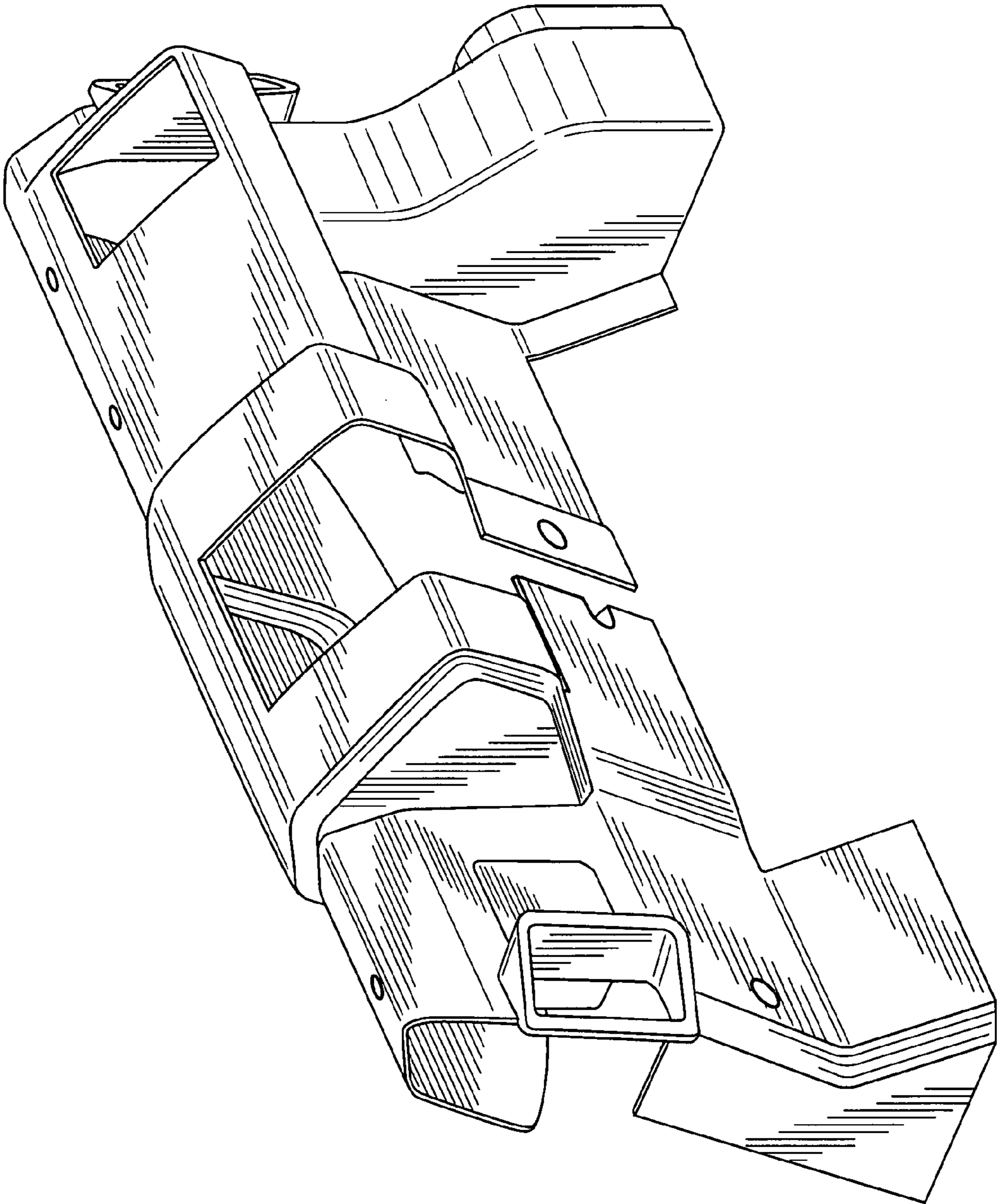


FIG. 2

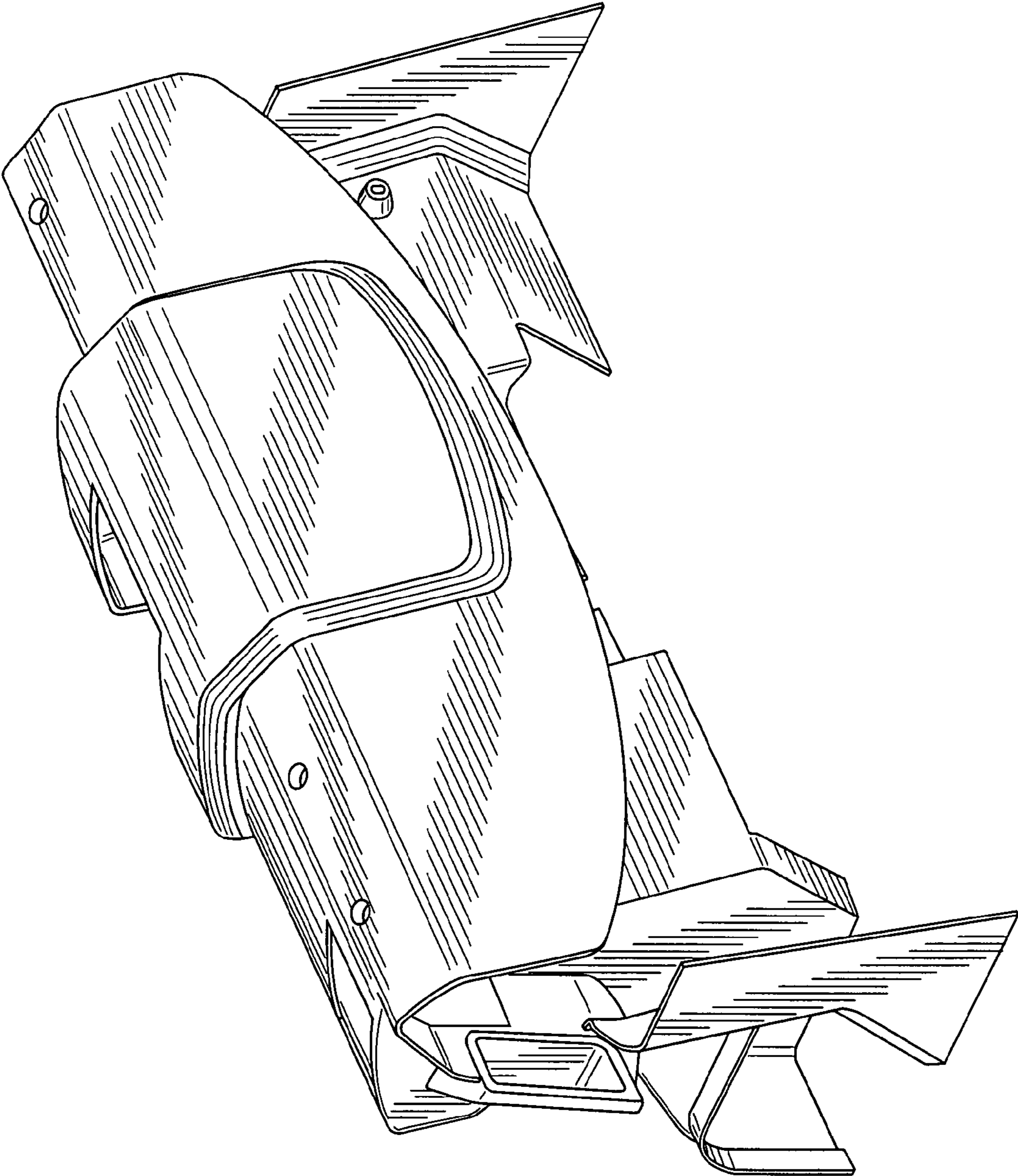


FIG. 3

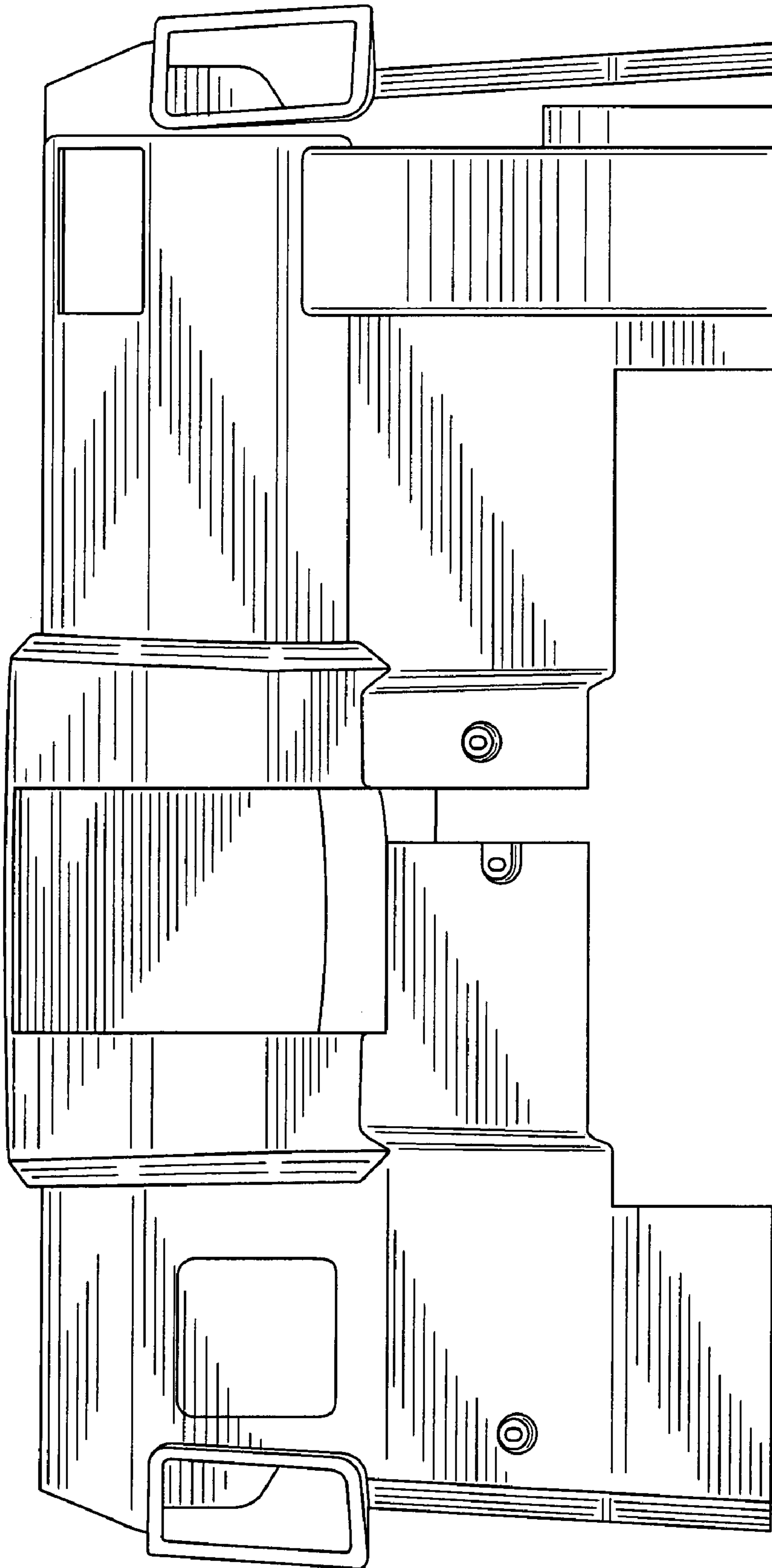


FIG. 4

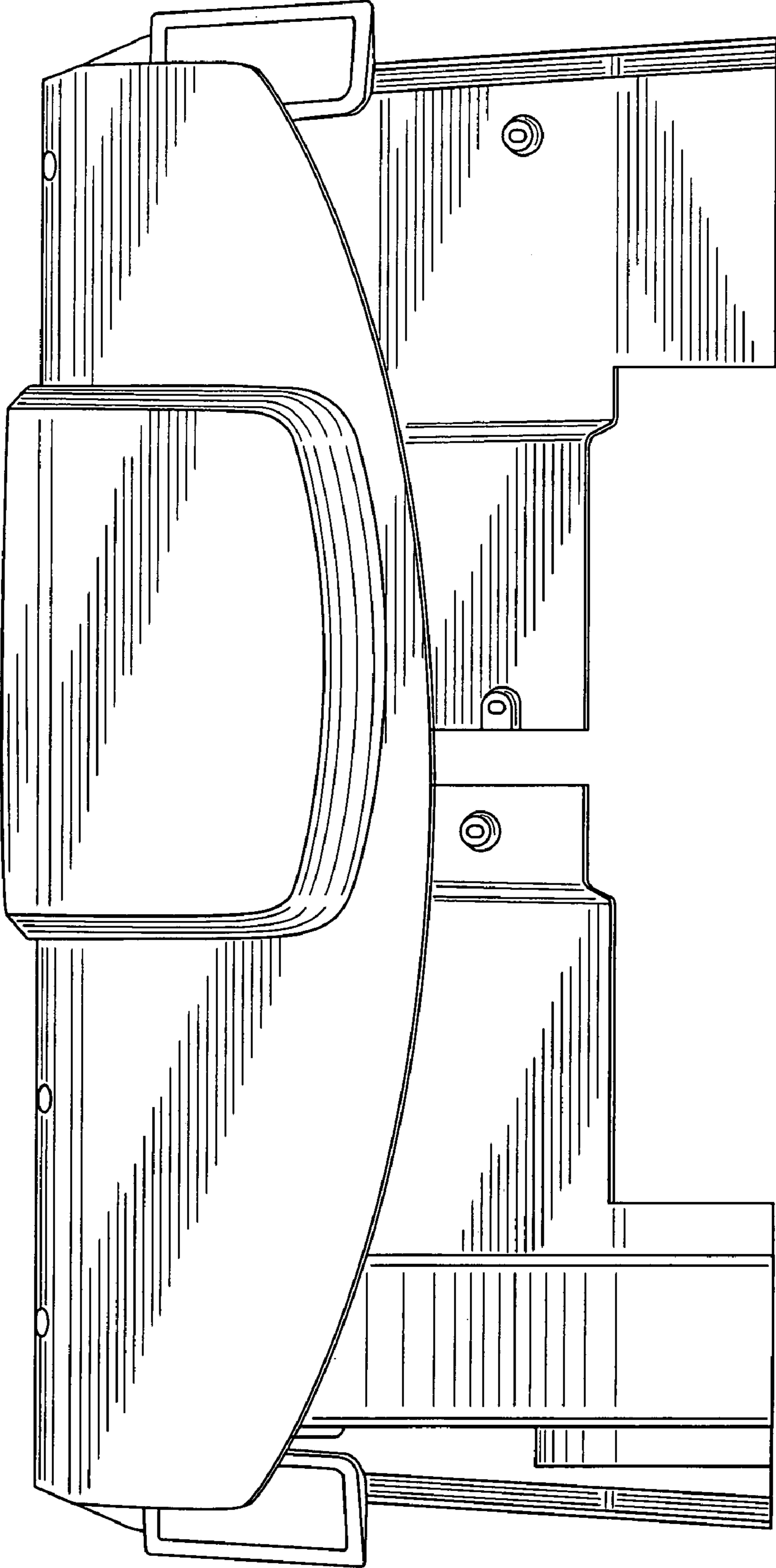


FIG. 5

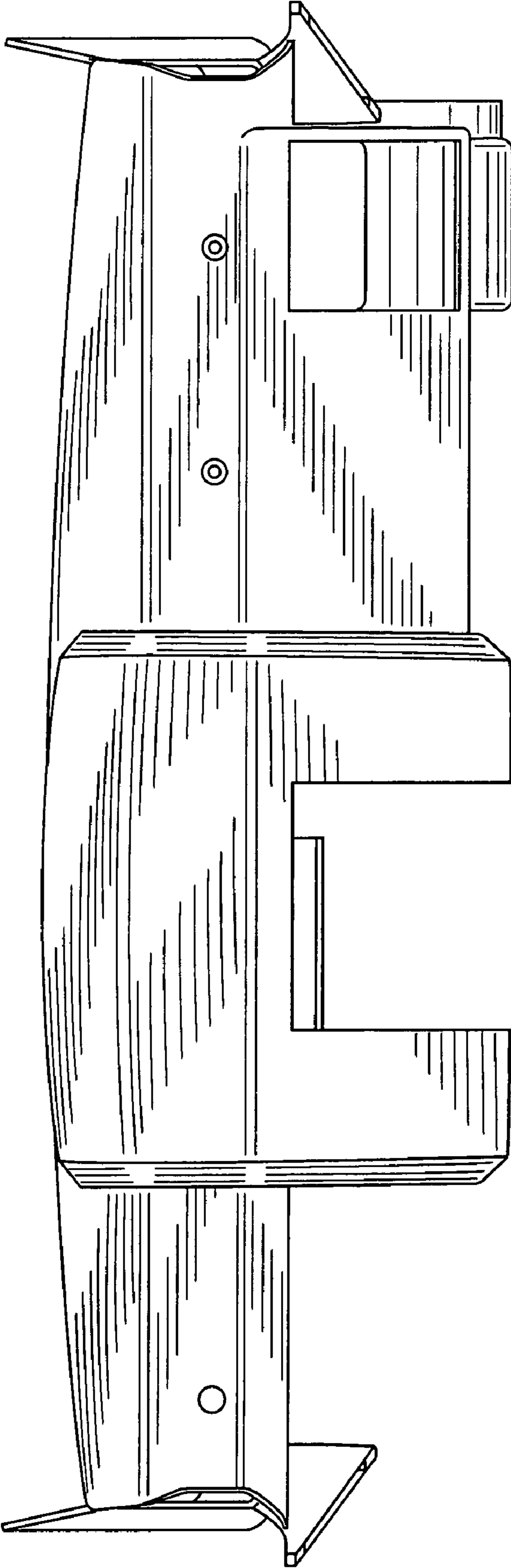


FIG. 6

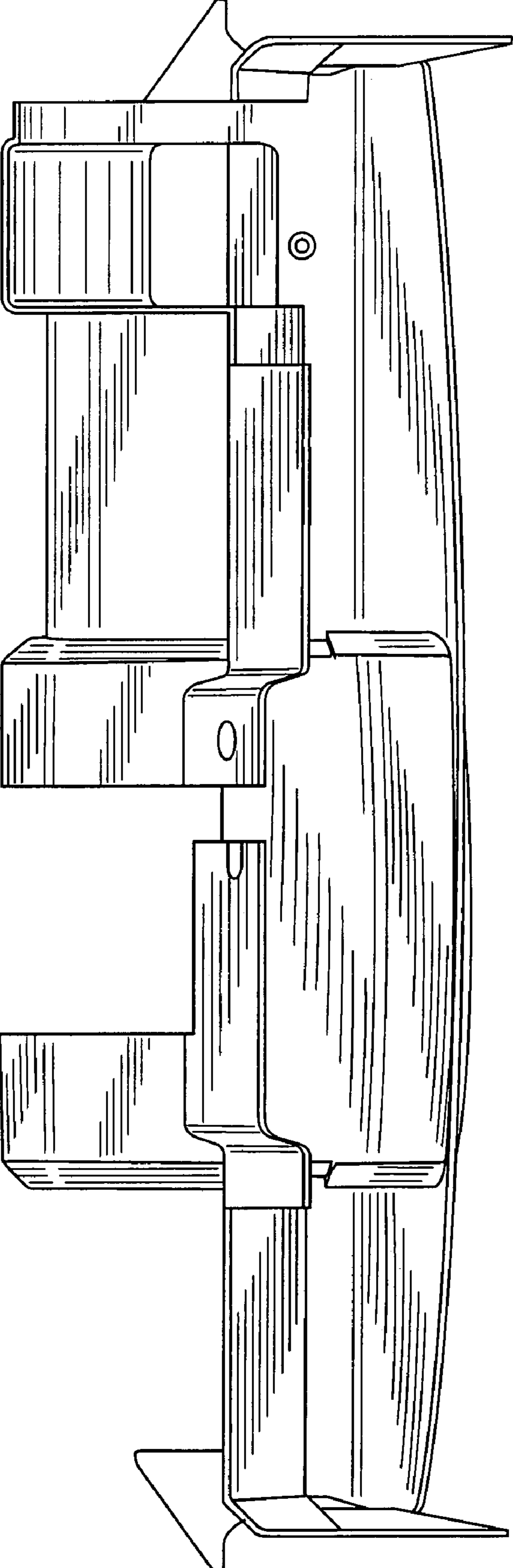


FIG. 7

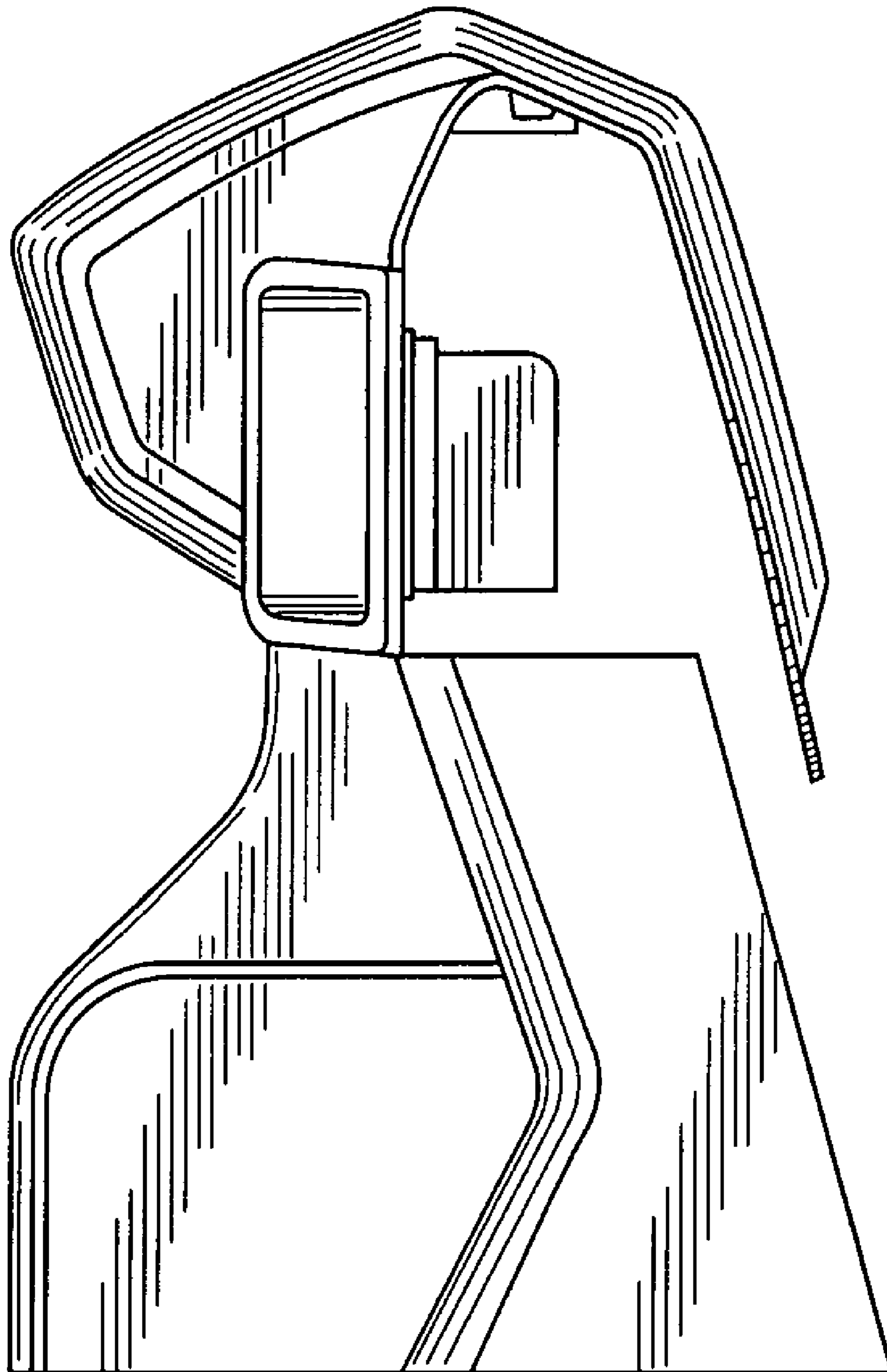


FIG. 8

