

US00D554564S

(12) **United States Design Patent**
Vardis et al.

(10) **Patent No.:** **US D554,564 S**

(45) **Date of Patent:** **** Nov. 6, 2007**

(54) **AUTOMOBILE BODY**

(75) Inventors: **Nicholas Vardis**, Sylvan Lake, MI (US); **Donald A. Renkert**, Royal Oak, MI (US); **John P. Sgalia**, Farmington Hills, MI (US)

(73) Assignee: **DaimlerChrysler Corporation**, Auburn Hills, MI (US)

(**) Term: **14 Years**

(21) Appl. No.: **29/250,614**

(22) Filed: **Nov. 22, 2006**

(51) **LOC (8) Cl.** **12-08**

(52) **U.S. Cl.** **D12/92**

(58) **Field of Classification Search** D12/90-92, D12/86; D21/424, 433; 296/181.1
See application file for complete search history.

(56) **References Cited**

U.S. PATENT DOCUMENTS

D350,504 S	9/1994	Nixon
D391,520 S	3/1998	Laster
D401,186 S	11/1998	Abbott et al.
D408,329 S	4/1999	Anness et al.
D416,519 S	11/1999	Won et al.
D420,939 S	2/2000	Faurote et al.
D424,992 S	5/2000	Faurote
D454,813 S	3/2002	Boniface et al.

D476,268 S	6/2003	Castiglione et al.
D495,275 S	8/2004	Castiglione et al.
D497,572 S	10/2004	Widmann et al.
D510,056 S *	9/2005	Hall et al. D12/92
D519,066 S	4/2006	Ney et al.
D534,097 S	12/2006	Renkert et al.

* cited by examiner

Primary Examiner—Melody N. Brown

(74) *Attorney, Agent, or Firm*—Ralph E. Smith

(57) **CLAIM**

The ornamental design for an automobile body, as shown and described.

DESCRIPTION

FIG. 1 is a front perspective view of an automobile body showing our new design;

FIG. 2 is a side view thereof;

FIG. 3 is a front view thereof;

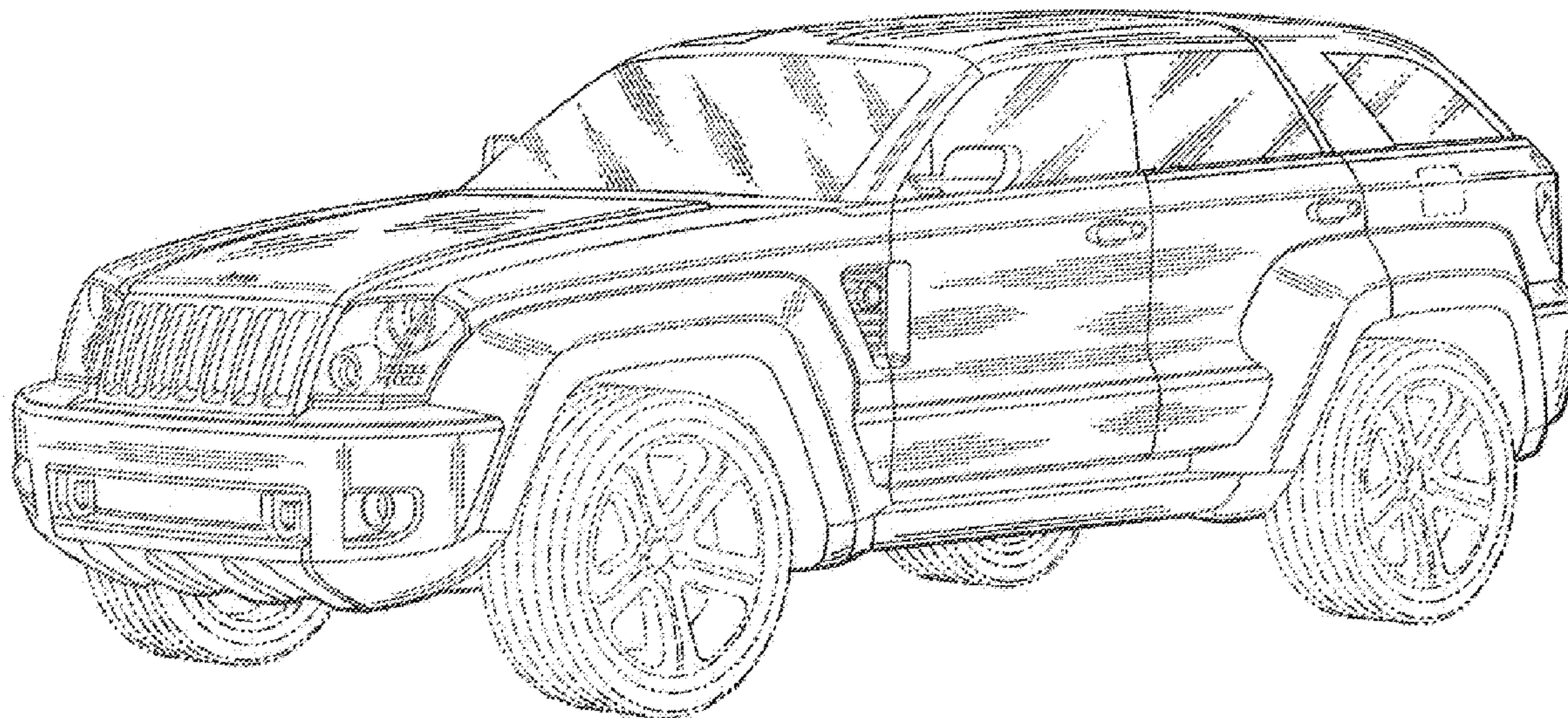
FIG. 4 is a rear view thereof;

FIG. 5 is a rear perspective view thereof; and,

FIG. 6 is a top plan view thereof.

It will be understood that the broken lines presented in the drawings are for illustration only, and do not form a part of the claimed design.

1 Claim, 5 Drawing Sheets



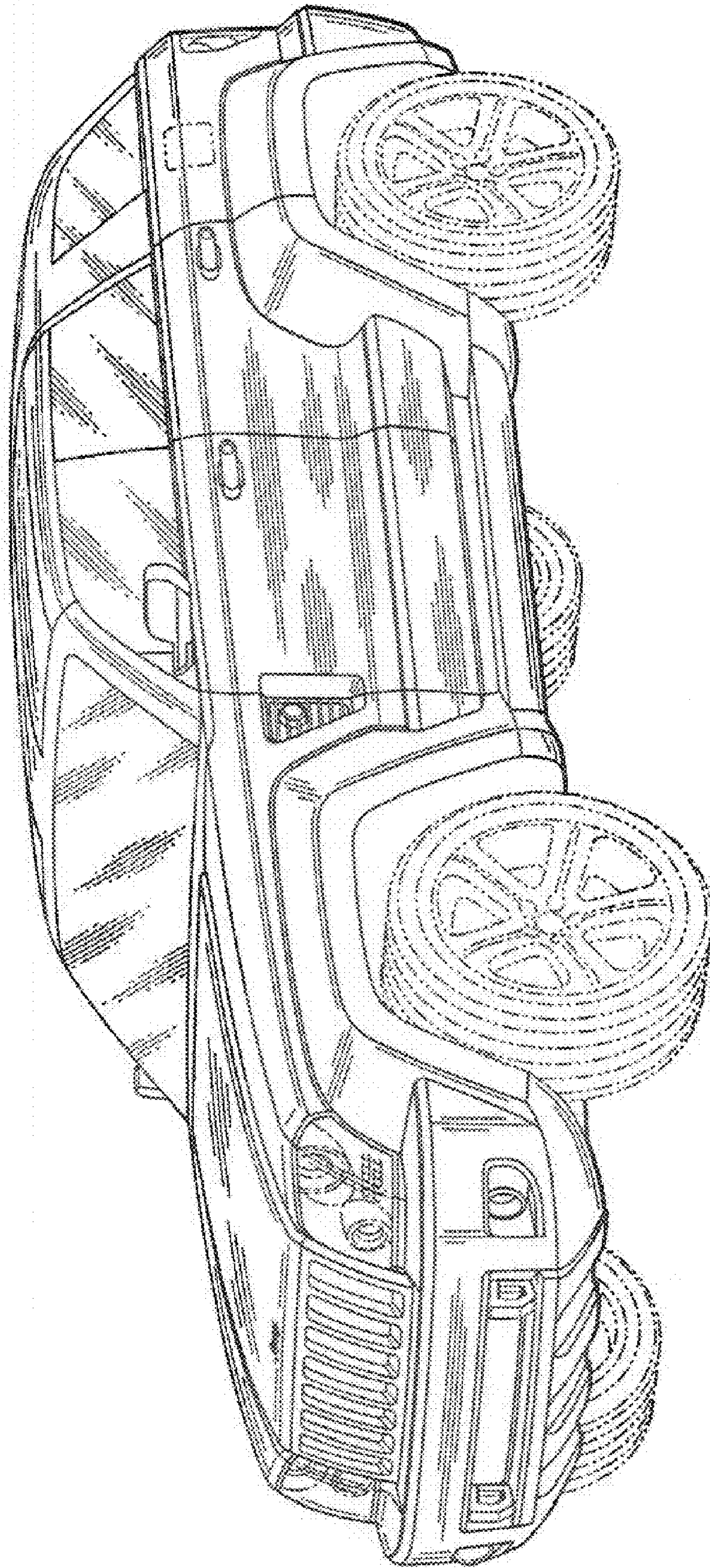


Fig. 1

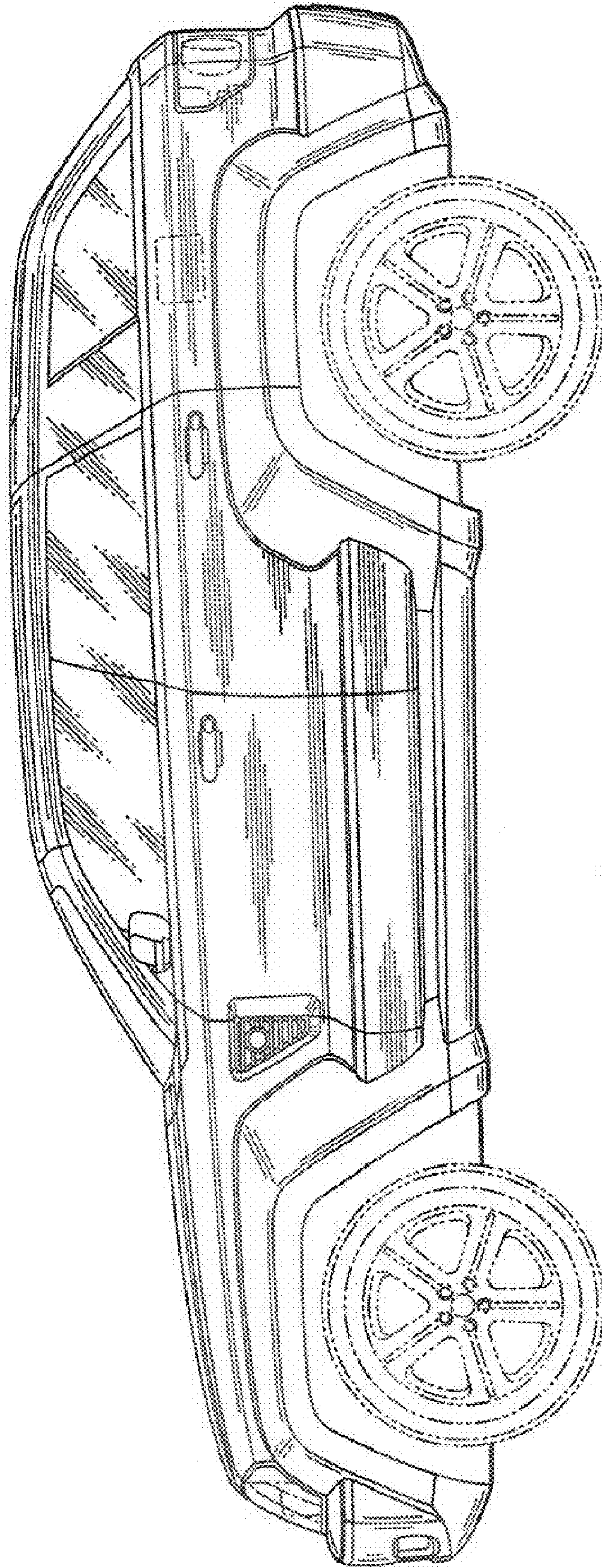


Fig. 2

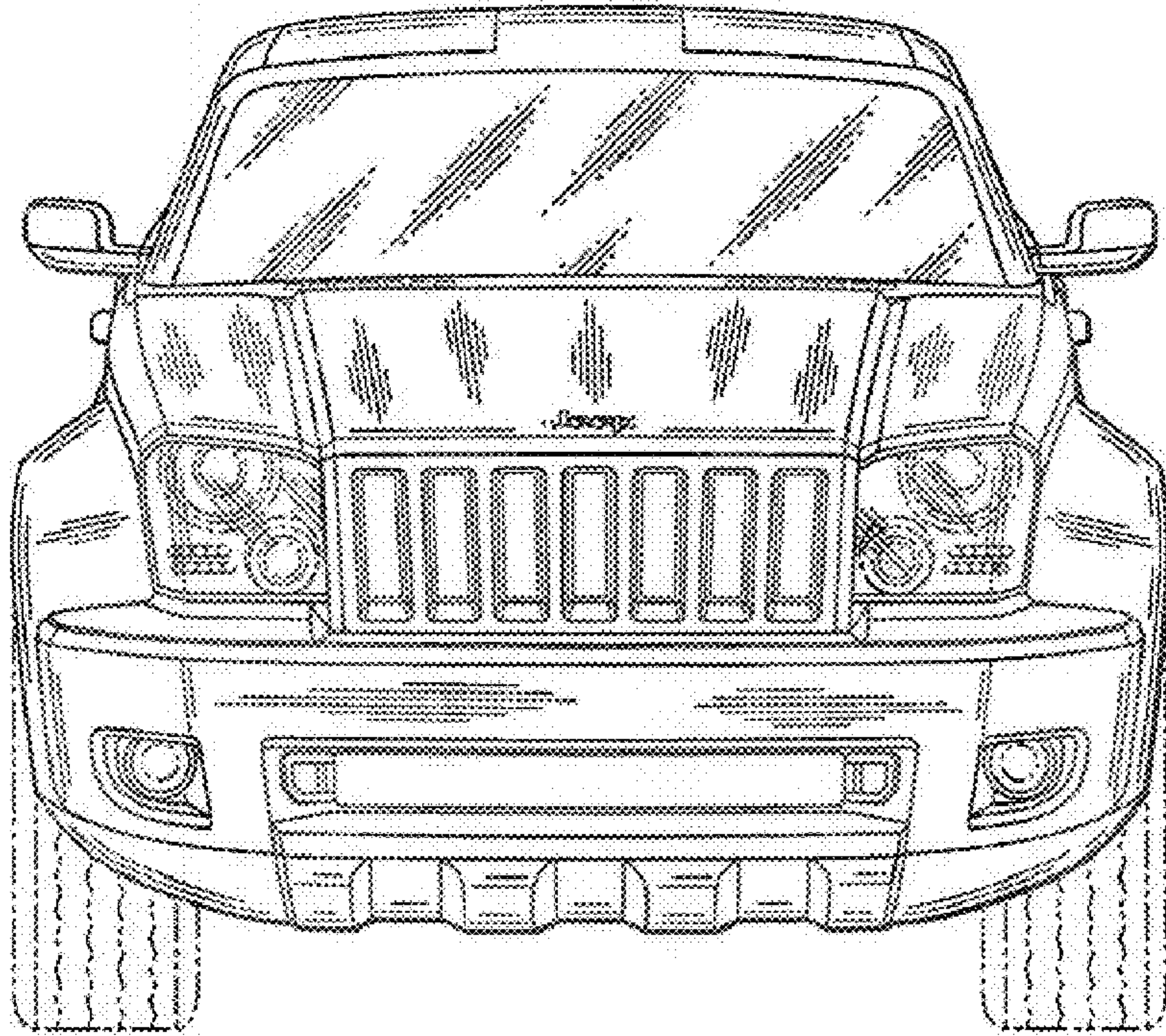


Fig. 3

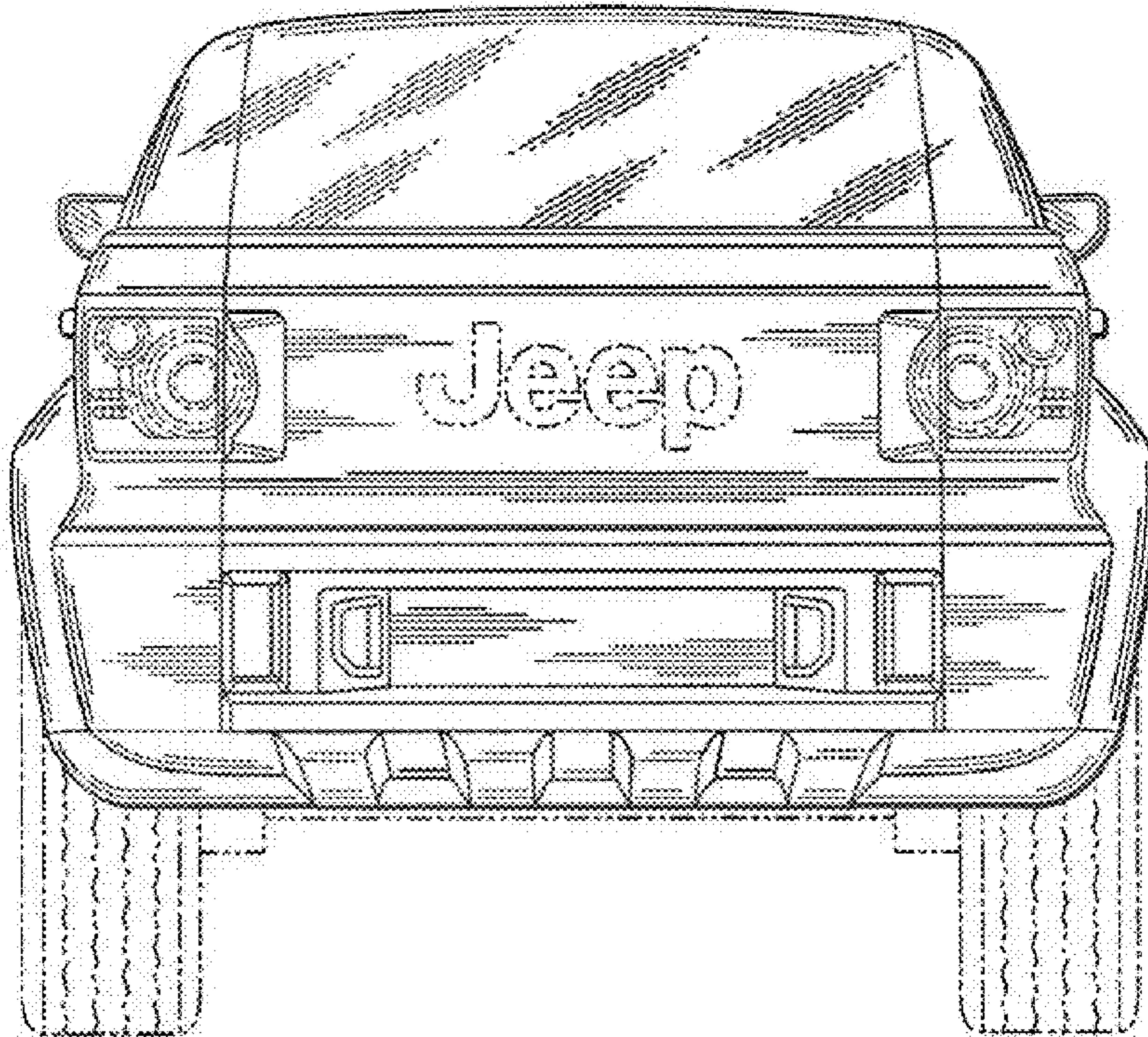


Fig. 4

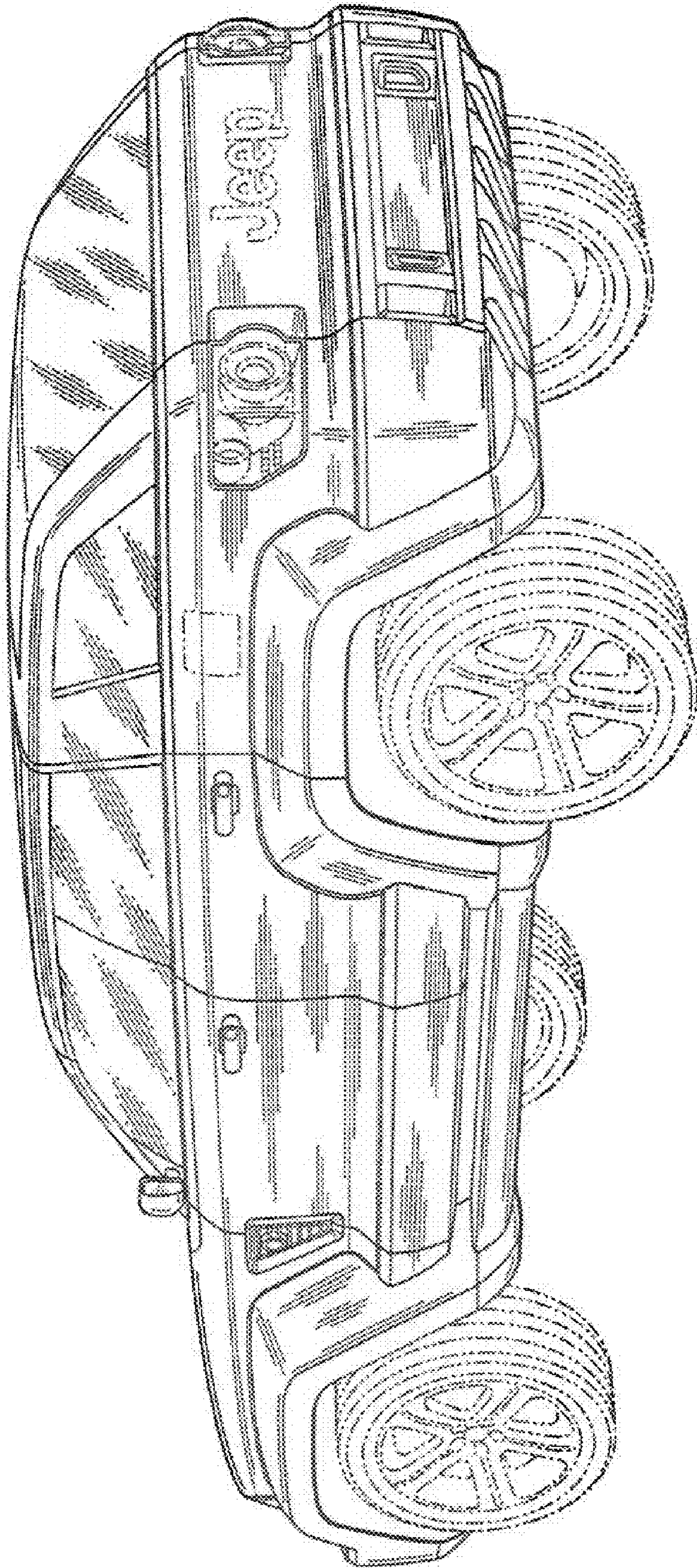


Fig. 5

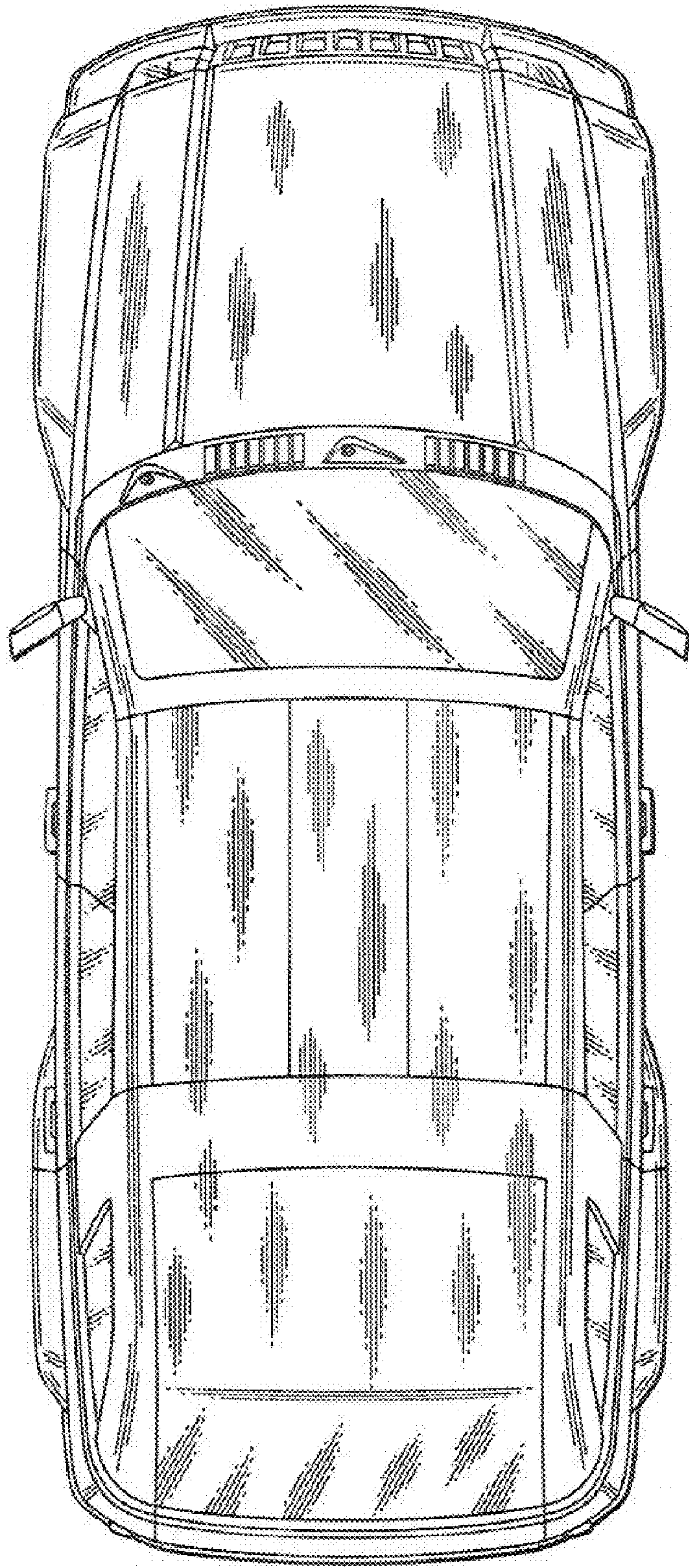


Fig. 6