



US00D554561S

(12) **United States Design Patent**  
**Di Carlo**

(10) **Patent No.:** **US D554,561 S**

(45) **Date of Patent:** **\*\* Nov. 6, 2007**

(54) **GARMENT CLOSURE SYSTEM**

3,349,410 A \* 10/1967 White ..... 2/229  
4,498,827 A \* 2/1985 Mair ..... 411/349  
D295,919 S \* 5/1988 Makio ..... D11/200  
D381,189 S \* 7/1997 Geliebter ..... D2/853

(75) Inventor: **Louis Di Carlo**, 39 Via Frazione  
Meggianico, Blevio/Como (IT) 22020

(73) Assignee: **Louis Di Carlo**, Como (IT)

\* cited by examiner

(\*\*) Term: **14 Years**

*Primary Examiner*—Louis S. Zarfes

*Assistant Examiner*—G. Andoll

(21) Appl. No.: **29/205,657**

(74) *Attorney, Agent, or Firm*—Buchanan, Ingersoll &  
Rooney LLP

(22) Filed: **May 19, 2004**

(57) **CLAIM**

(51) **LOC (8) Cl.** ..... **02-07**

(52) **U.S. Cl.** ..... **D11/200; D11/201**

(58) **Field of Classification Search** ..... D24/378.1,  
D24/72.7, 68, 580.11, 580.1, 578.13, 701,  
D24/305, 114.2, 327-330, DIG. 57; D8/338;  
D11/214, 231, 216, 200, 201, 212; D3/326;  
2/312, 319, 229; 411/340, 552

The ornamental design for garment closure system, as  
shown and described.

See application file for complete search history.

**DESCRIPTION**

(56) **References Cited**

U.S. PATENT DOCUMENTS

252,156 A \* 1/1882 Tufts ..... 24/580.1  
289,991 A \* 12/1883 Curtis ..... 24/580.1  
627,949 A \* 6/1899 Worden ..... 2/229  
1,104,204 A \* 7/1914 MacCormack ..... 24/581.11  
1,113,677 A \* 10/1914 Neider ..... 24/580.1

FIG. 1 is a perspective view of the garment closure system,  
showing my new design;

FIG. 2 is a front view thereof,

FIG. 3 is a side view thereof; and,

FIG. 4 is another side view thereof, showing the design in an  
alternate position.

The broken line showing is for illustrative purposes only and  
forms no part of the claimed design.

**1 Claim, 4 Drawing Sheets**



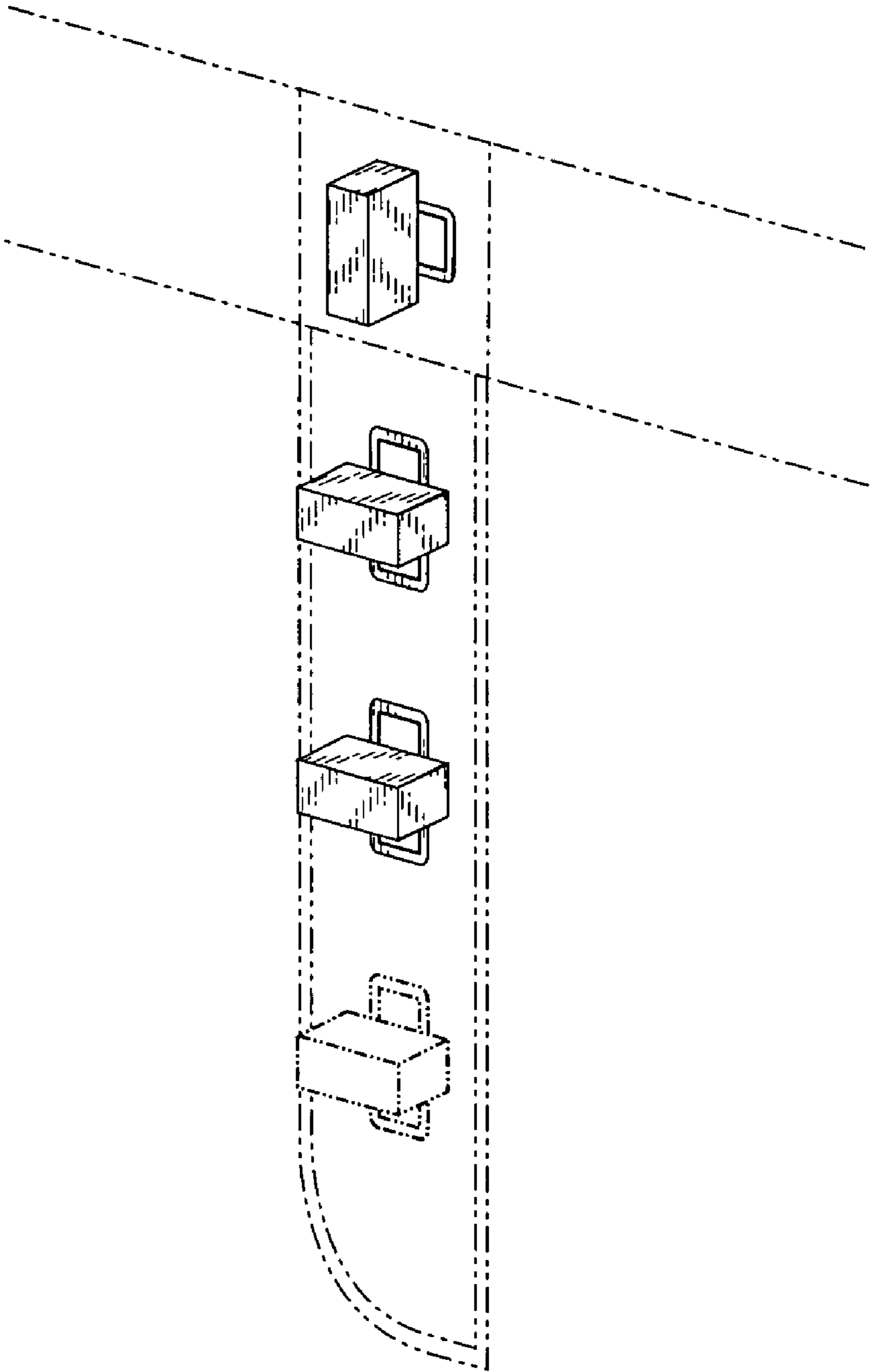


FIG. 1

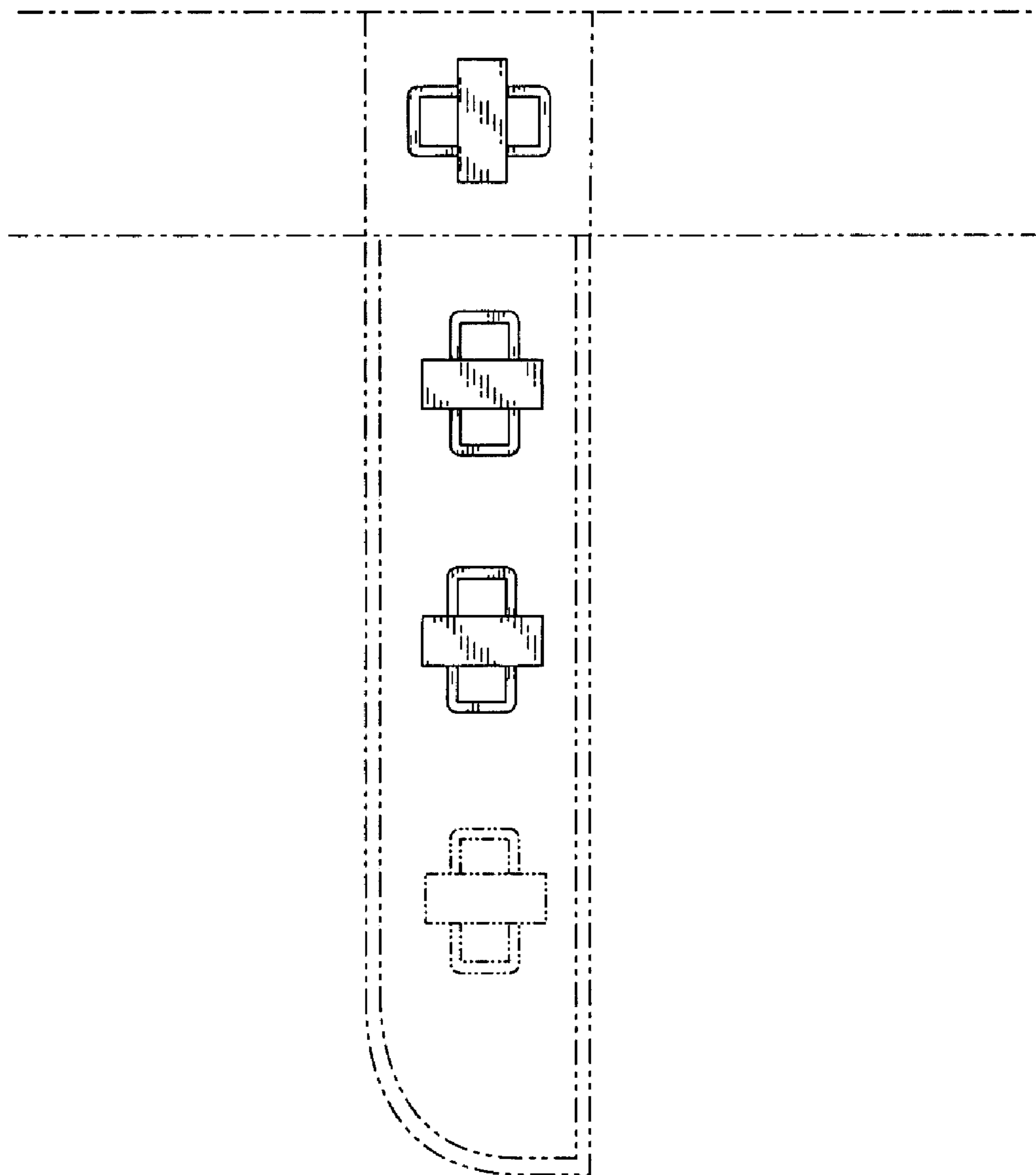


FIG. 2



FIG. 3

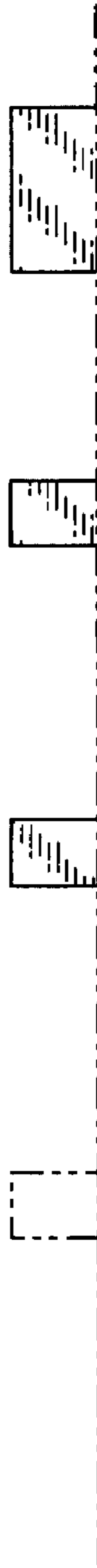


FIG. 4