



US00D554556S

(12) **United States Design Patent**
Wilheim

(10) **Patent No.:** **US D554,556 S**

(45) **Date of Patent:** **** Nov. 6, 2007**

(54) **GEMSTONE**

(75) Inventor: **Daniel Wilhelm**, Netanya (IL)

(73) Assignee: **Swa-Trading Ltd.**, Ramat Gan (IL)

(**) Term: **14 Years**

(21) Appl. No.: **29/269,597**

(22) Filed: **Dec. 4, 2006**

(30) **Foreign Application Priority Data**

Jun. 4, 2006 (IL) 42549

(51) **LOC (8) Cl.** **11-01**

(52) **U.S. Cl.** **D11/89**

(58) **Field of Classification Search** D11/1-2,
D11/26-29, 89-92; 63/26-28, 32

See application file for complete search history.

(56) **References Cited**

U.S. PATENT DOCUMENTS

D55,862 S * 7/1920 Hobe D11/222

D254,837 S * 4/1980 Breaux D8/349

D363,684 S * 10/1995 Sikorski et al. D11/90

D402,226 S * 12/1998 Wolf D11/90

D405,178 S * 2/1999 Dykes D24/146

D454,517 S * 3/2002 Yuan et al. D11/90

* cited by examiner

Primary Examiner—Ralf Seifert

(74) *Attorney, Agent, or Firm*—Christopher & Weisberg,
P.A.

(57) **CLAIM**

The ornamental design for a gemstone, as shown.

DESCRIPTION

FIG. 1 is top view;

FIG. 2 is a first side view;

FIG. 3 is a bottom view;

FIG. 4 is a second side view;

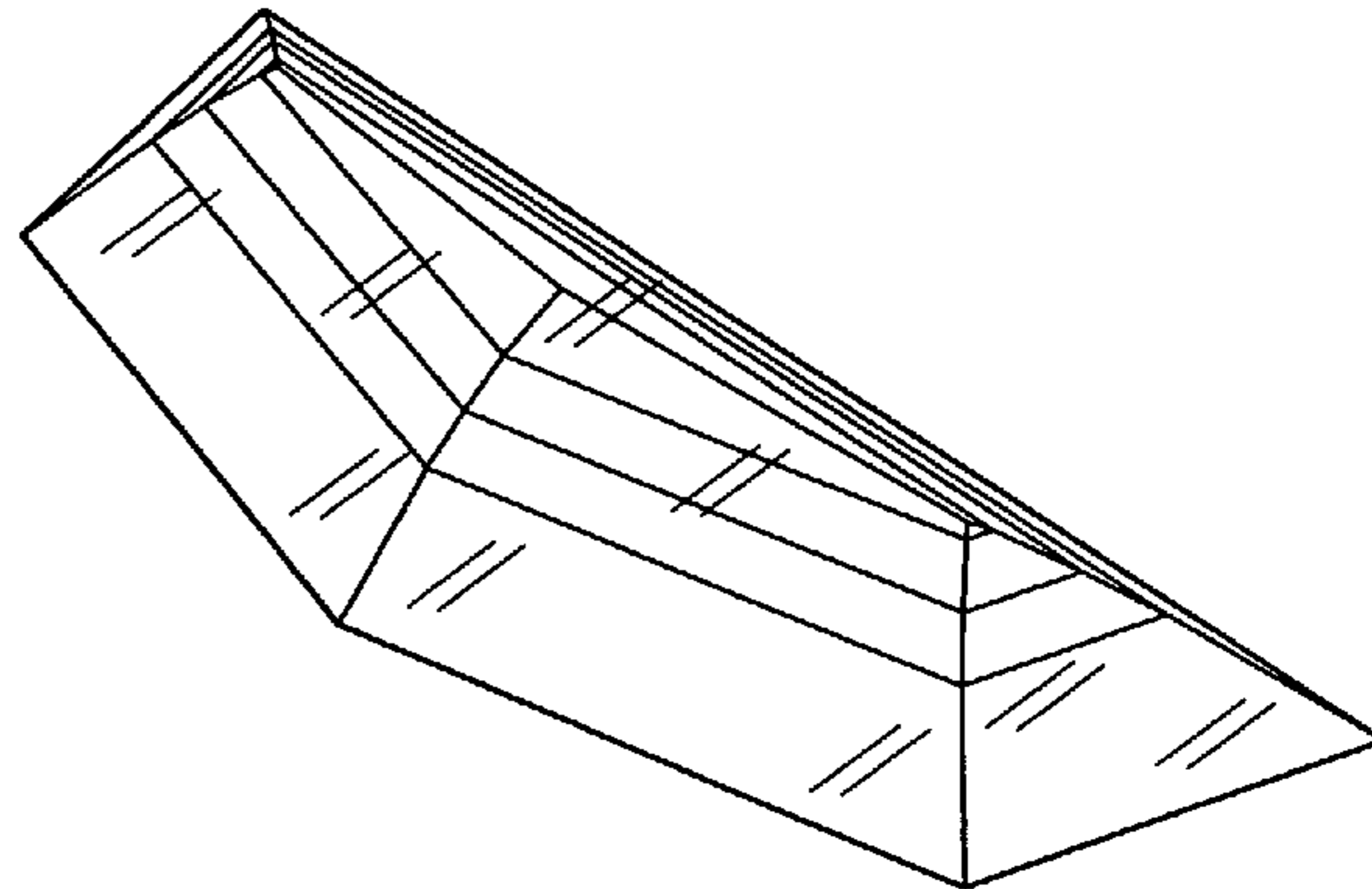
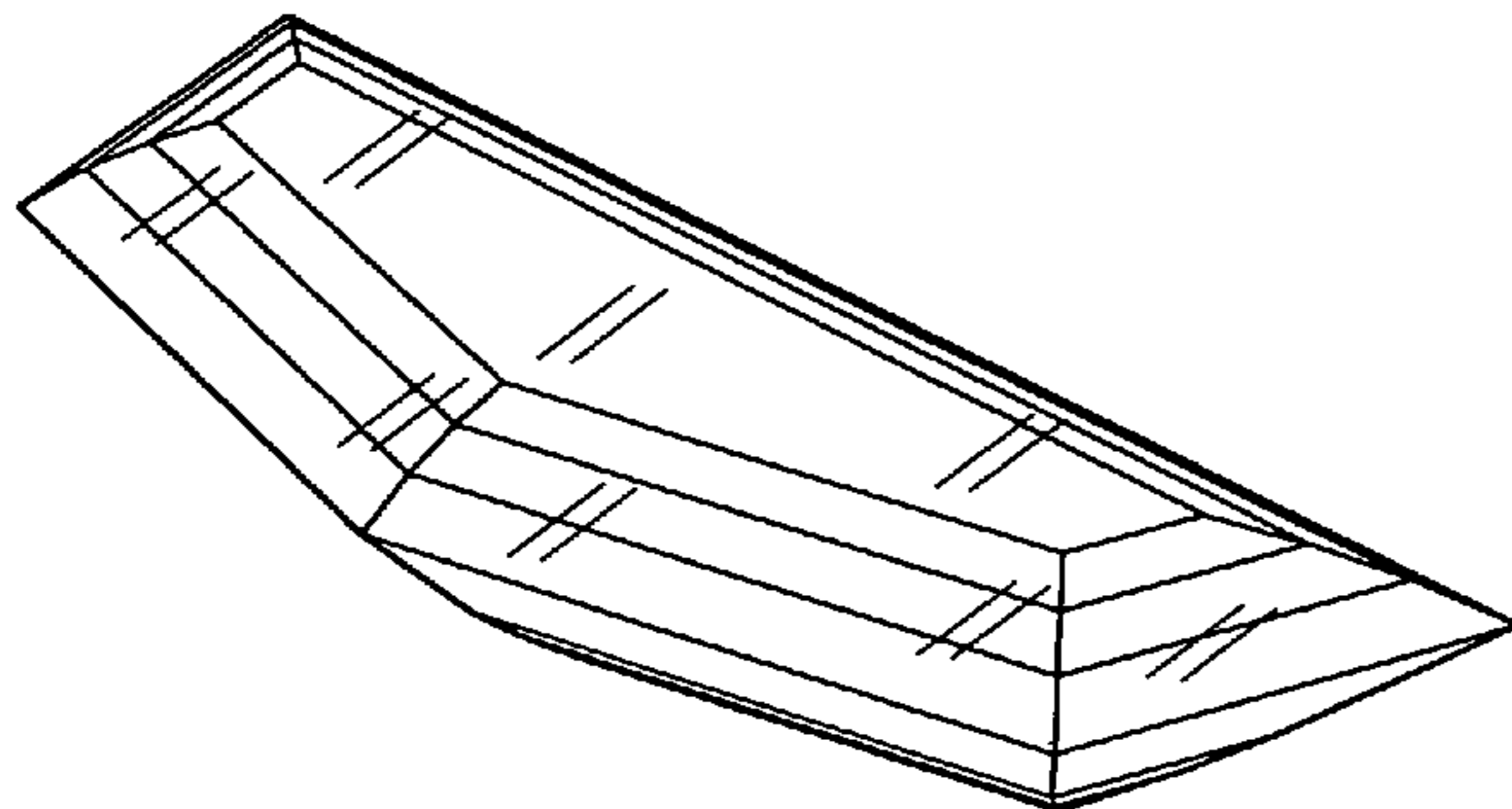
FIG. 5 is a first end view;

FIG. 6 is a second end view;

FIG. 7 is an upper perspective view; and,

FIG. 8 is a lower perspective view thereof.

1 Claim, 4 Drawing Sheets



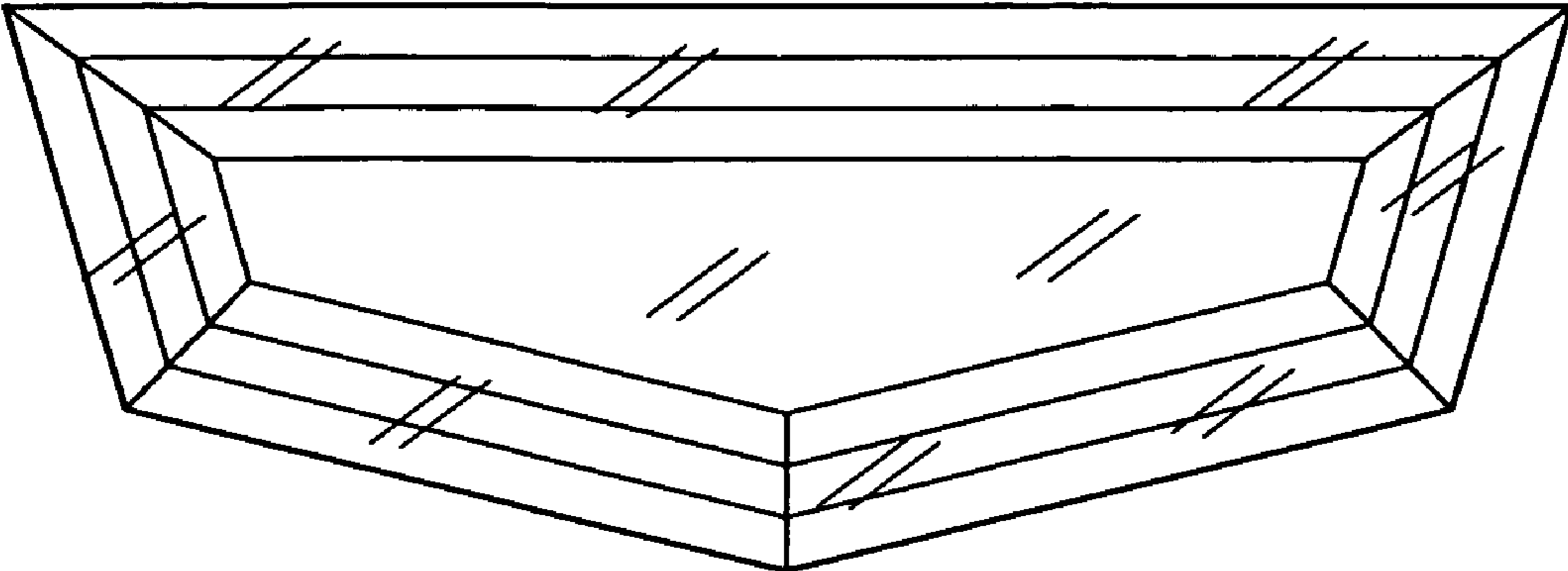


FIG.1

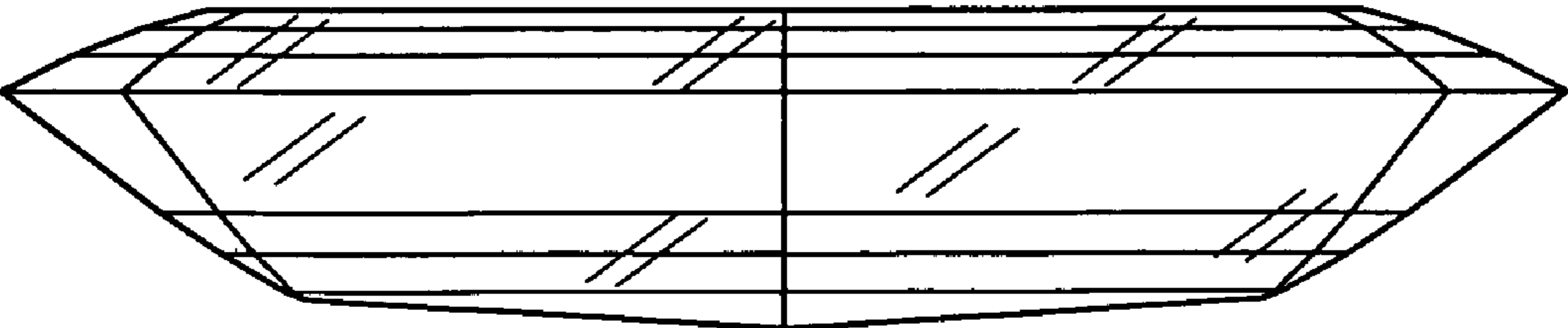


FIG.2

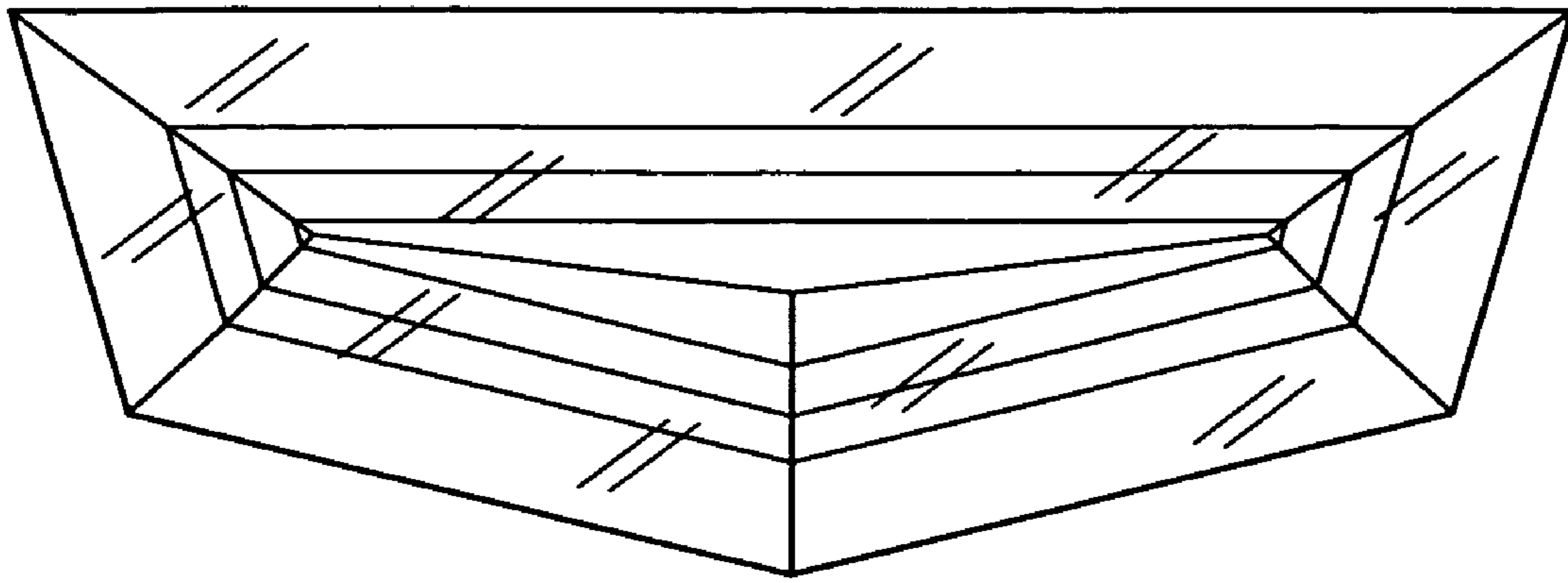


FIG. 3

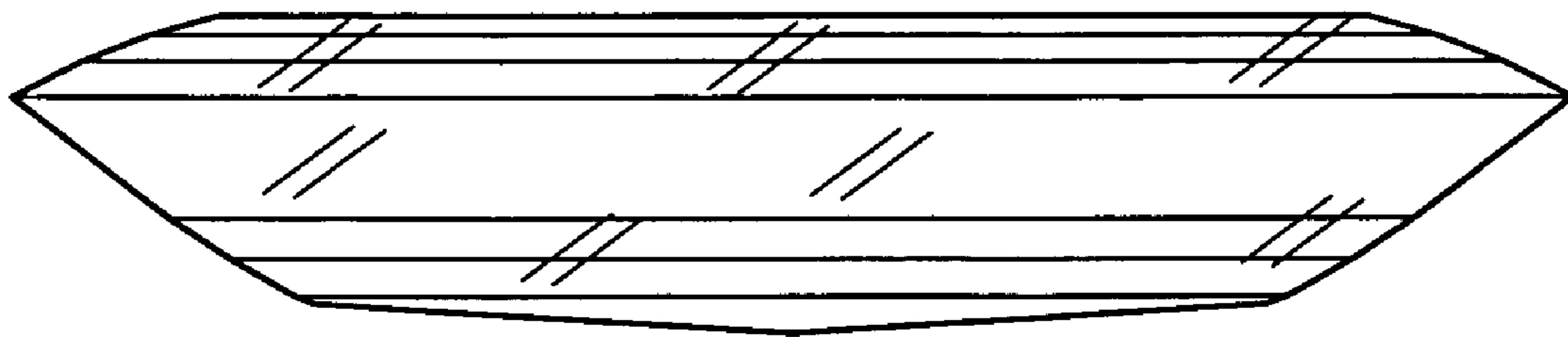


FIG. 4

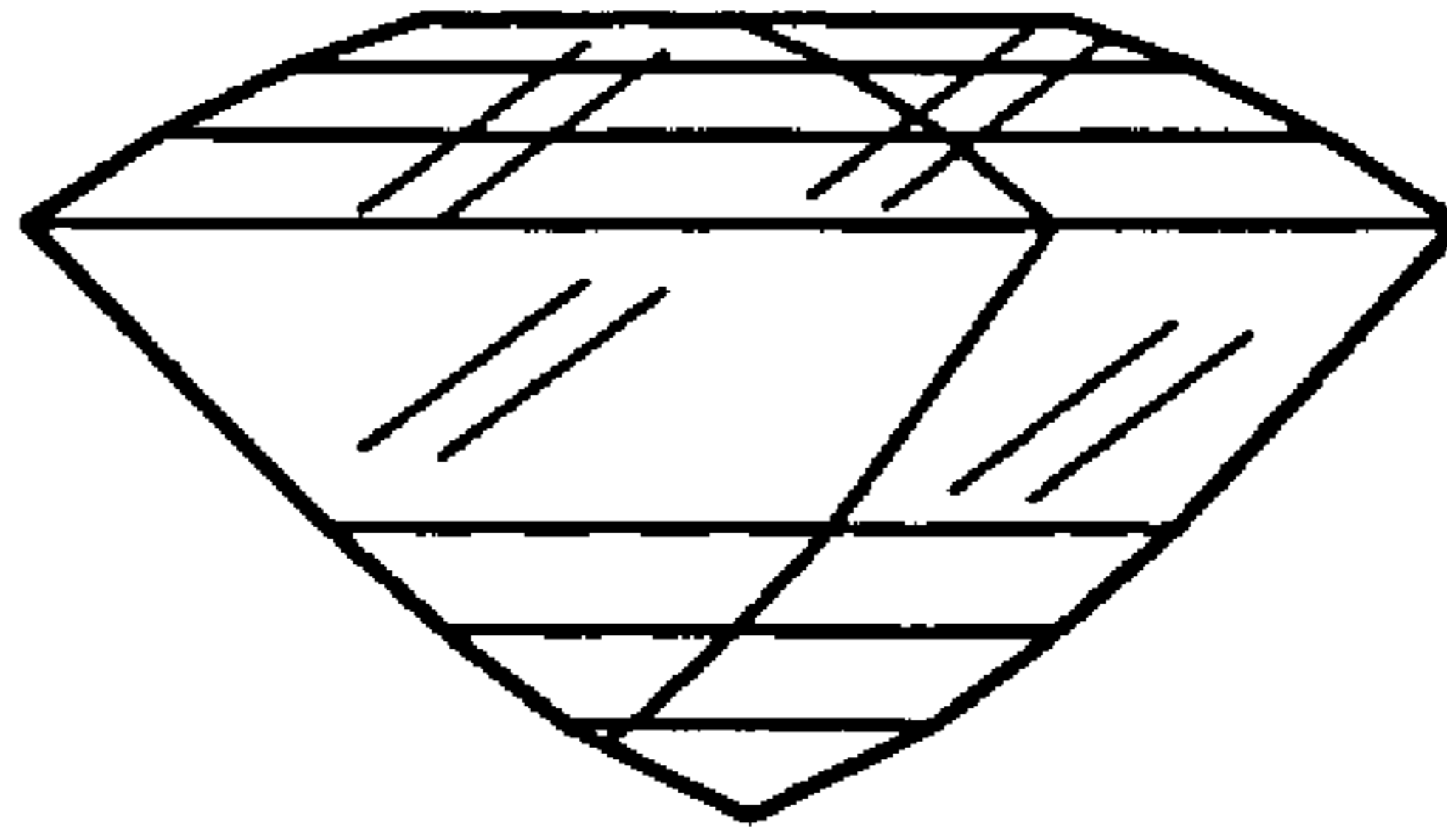


FIG. 5

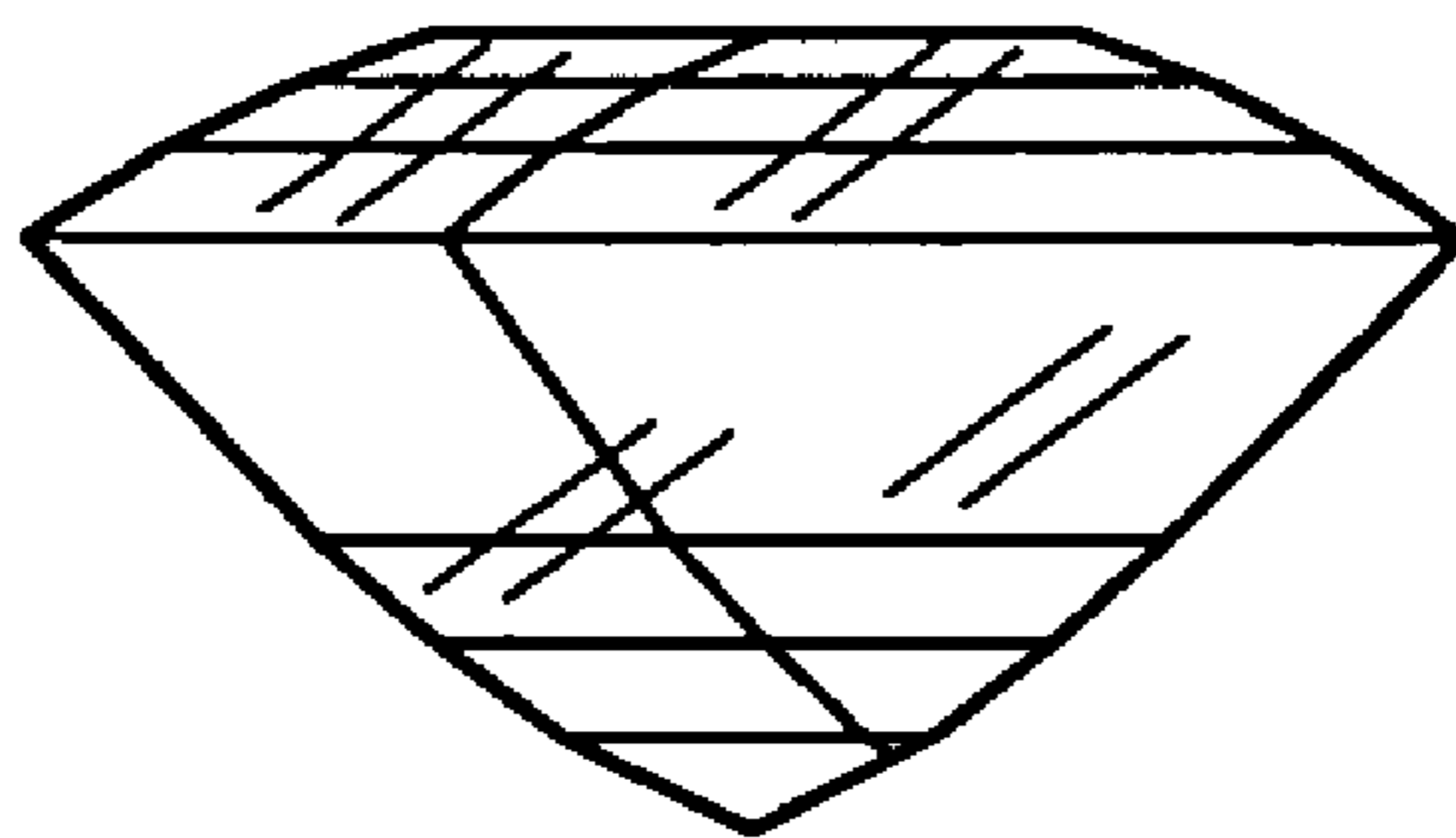


FIG. 6

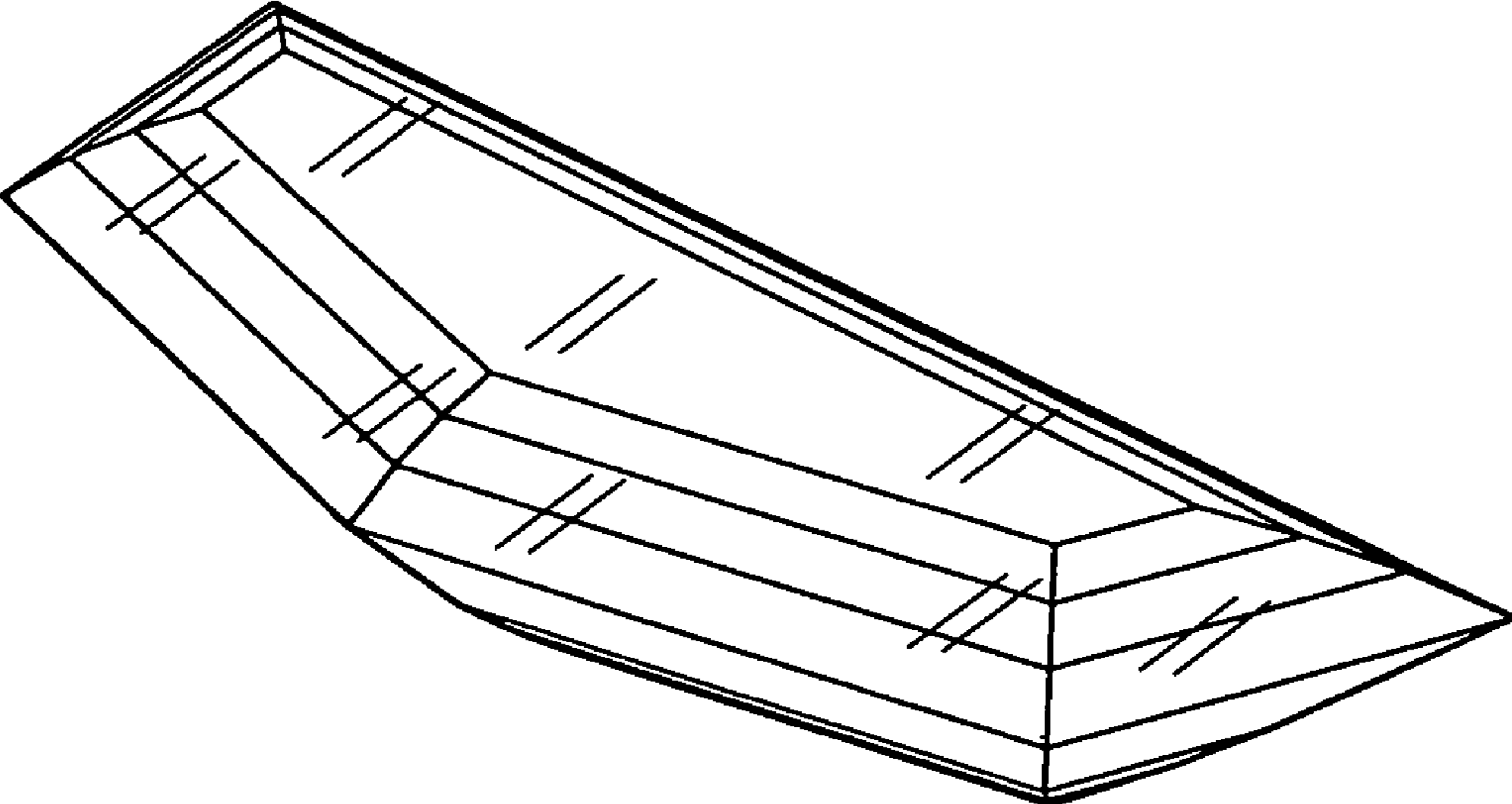


FIG. 7

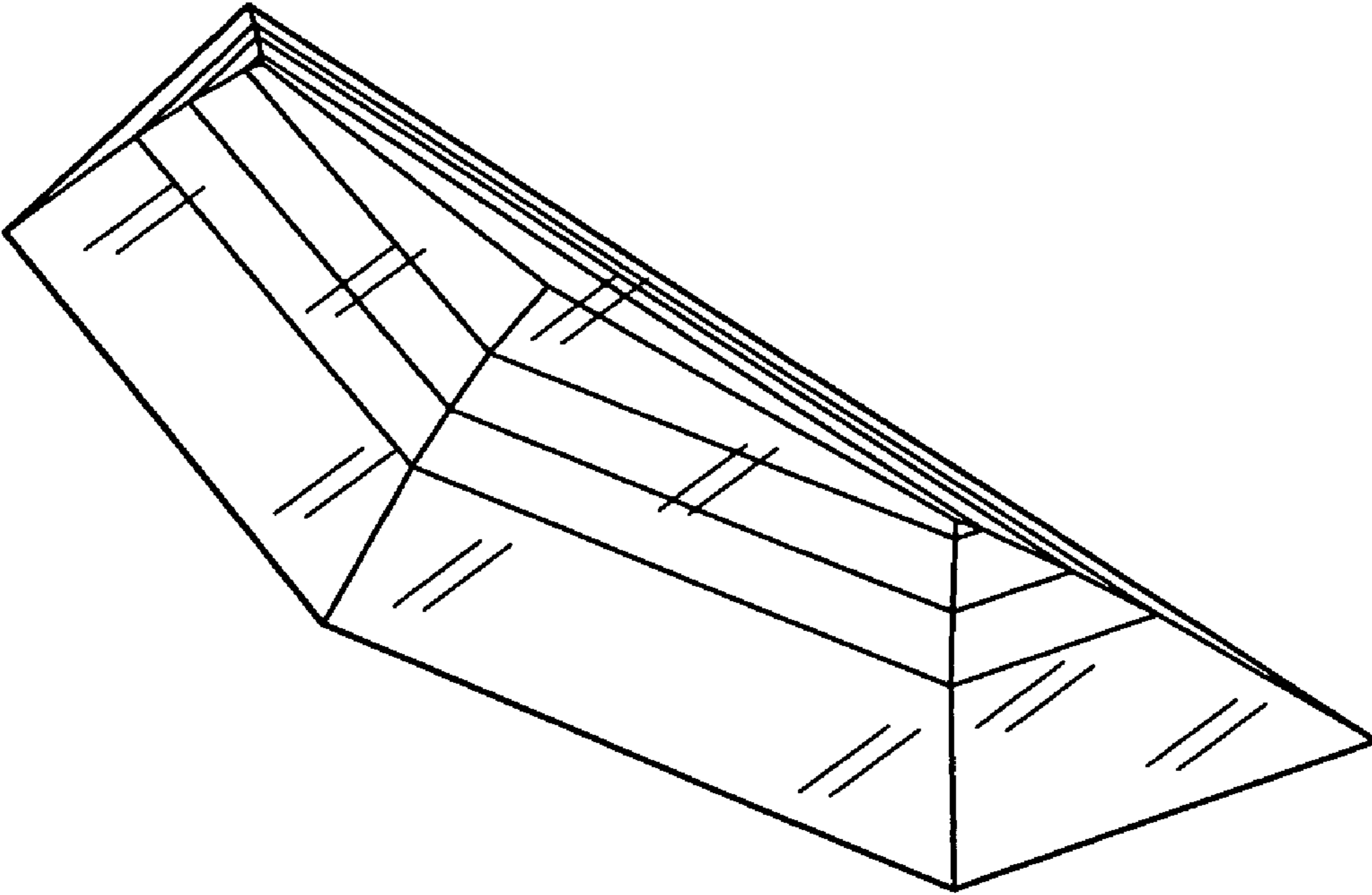


FIG. 8