



US00D554553S

(12) **United States Design Patent**
Harris

(10) **Patent No.:** **US D554,553 S**

(45) **Date of Patent:** **** Nov. 6, 2007**

(54) **TRAFFIC BOLLARD**

(76) **Inventor:** **Paul Meredith Harris**, 27 High Street,
West Malling, Maidstone, Kent (GB)
ME19 6QH

(**) **Term:** **14 Years**

(21) **Appl. No.:** **29/264,921**

(22) **Filed:** **Aug. 22, 2006**

(51) **LOC (8) Cl.** **10-05**

(52) **U.S. Cl.** **D10/109; D10/113**

(58) **Field of Classification Search** D10/104-121;
116/63 R, 63 P, 63 C, 63 T; 404/9-16; 340/473;
D8/402, 378; D6/521; D25/135; 16/436;
431/144, 289, 33; 256/1
See application file for complete search history.

(56) **References Cited**

U.S. PATENT DOCUMENTS

D263,454 S * 3/1982 Leung D10/109
D362,200 S * 9/1995 Harris D10/113

D432,935 S * 10/2000 Bent et al. D10/113
D459,203 S * 6/2002 Dolan D8/378
6,536,369 B1 * 3/2003 Bent et al. 116/63 P
D508,864 S * 8/2005 Harris D10/109
D518,190 S * 3/2006 Smith D25/135
2001/0050361 A1 * 12/2001 Merrick 256/1
2006/0223016 A1 * 10/2006 Hanes 431/144

* cited by examiner

Primary Examiner—Robert M. Spear
Assistant Examiner—George D Kirschbaum

(57) **CLAIM**

I claim the ornamental design for a traffic bollard, as shown.

DESCRIPTION

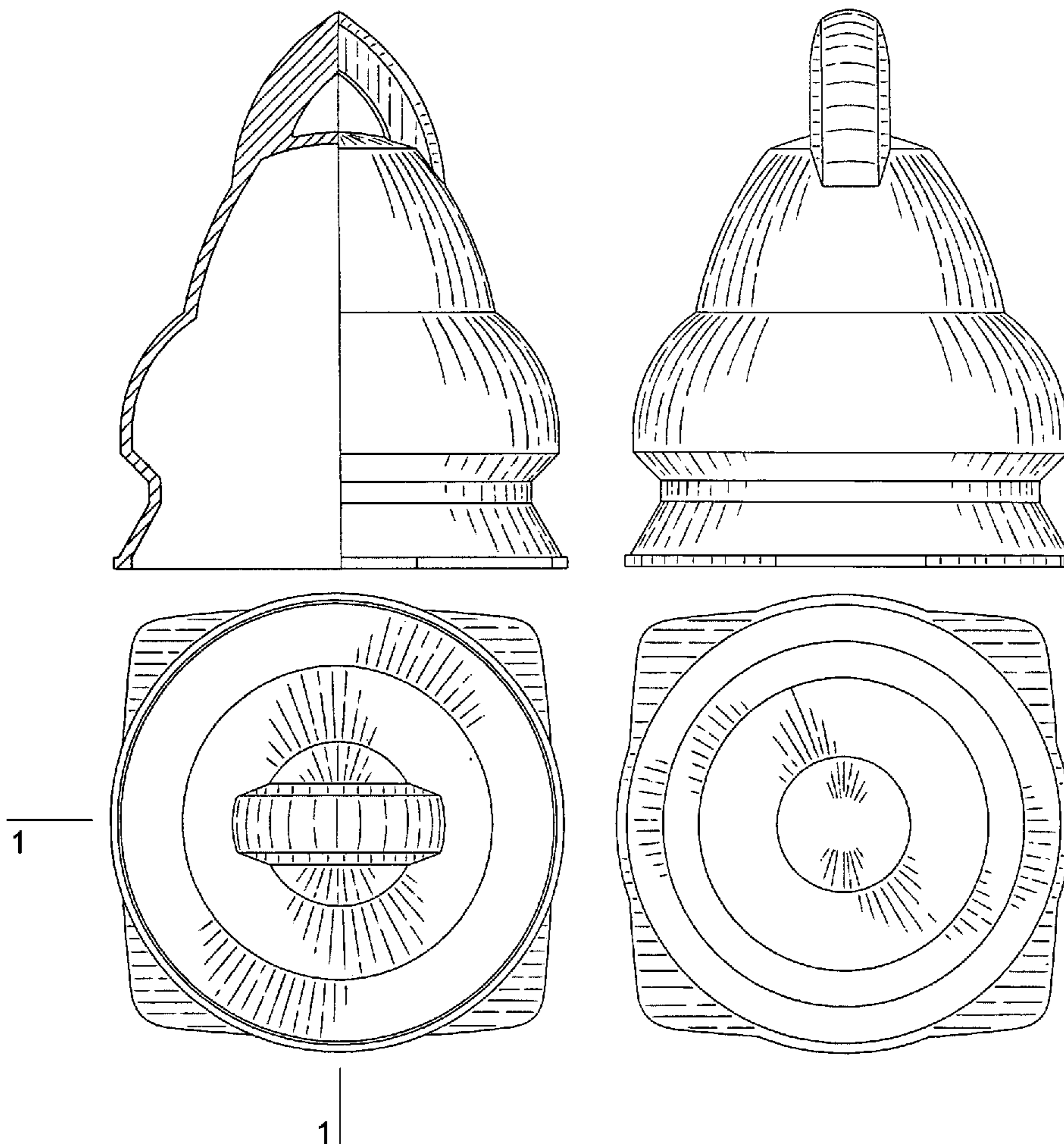
FIG. 1 is a sectioned front view along the lines of 1—1 (FIG. 3) thereof;

FIG. 2 is a side view thereof;

FIG. 3 is a plan view thereof; and,

FIG. 4 is a view from the underside thereof.

1 Claim, 1 Drawing Sheet



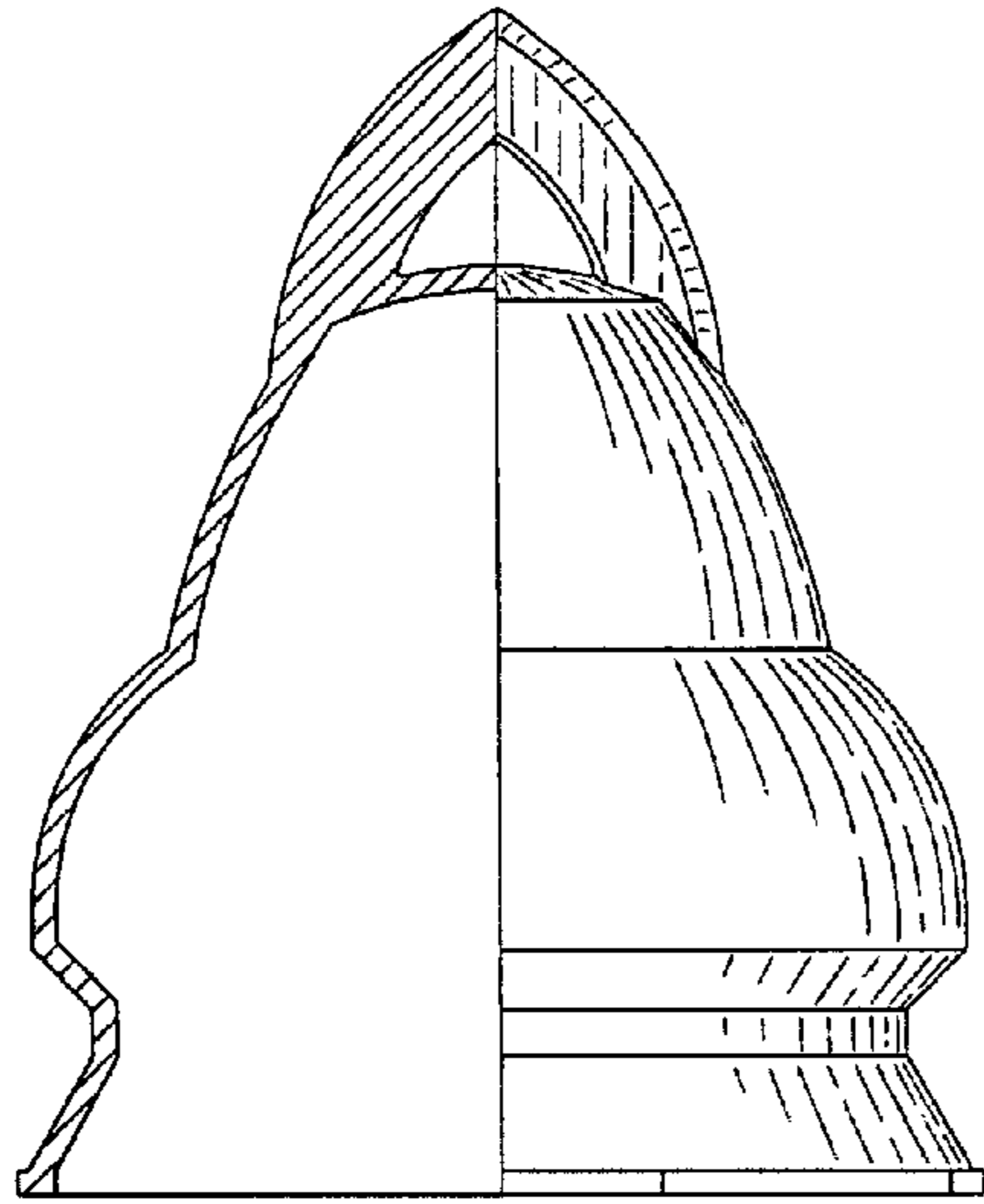


FIG. 1

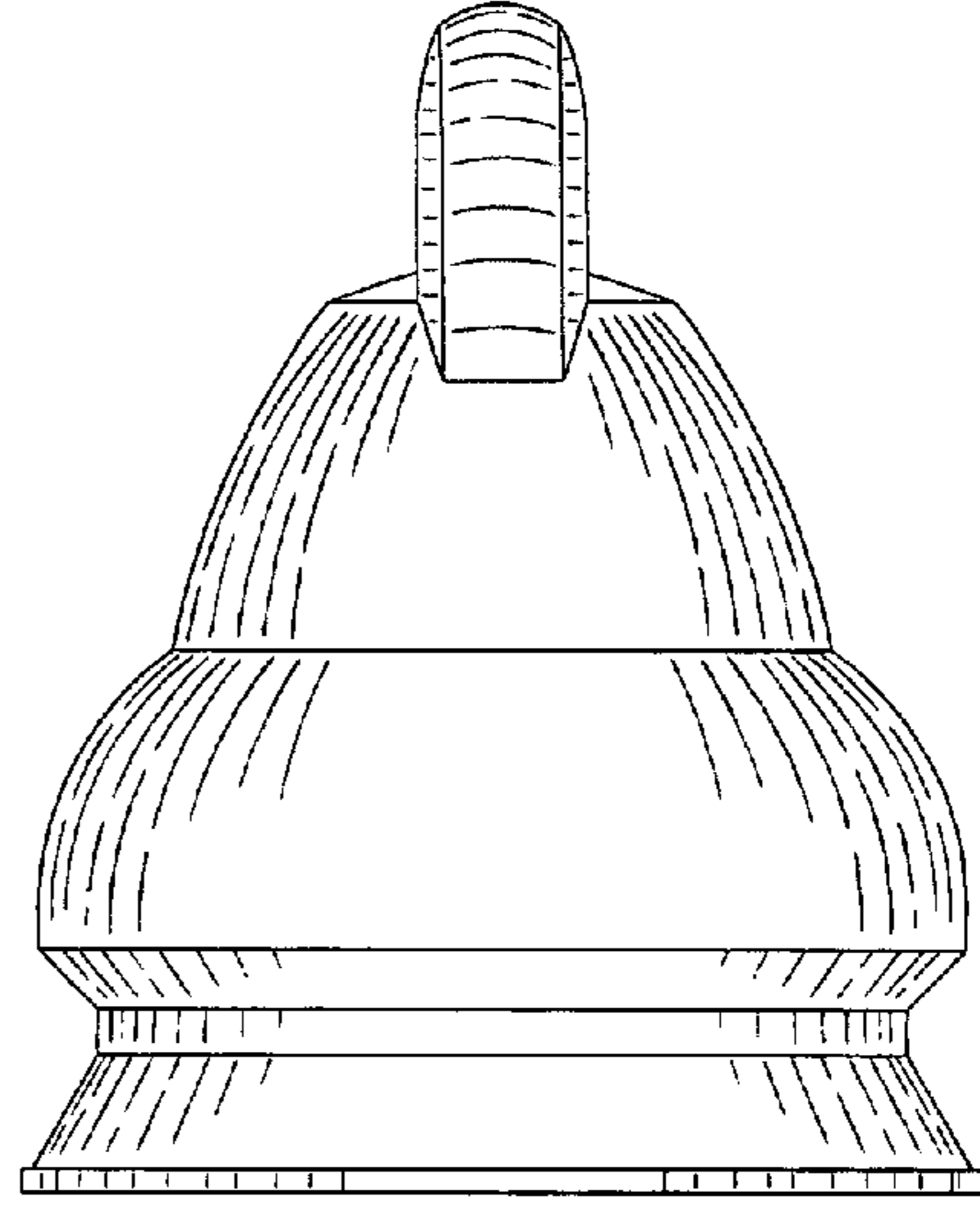
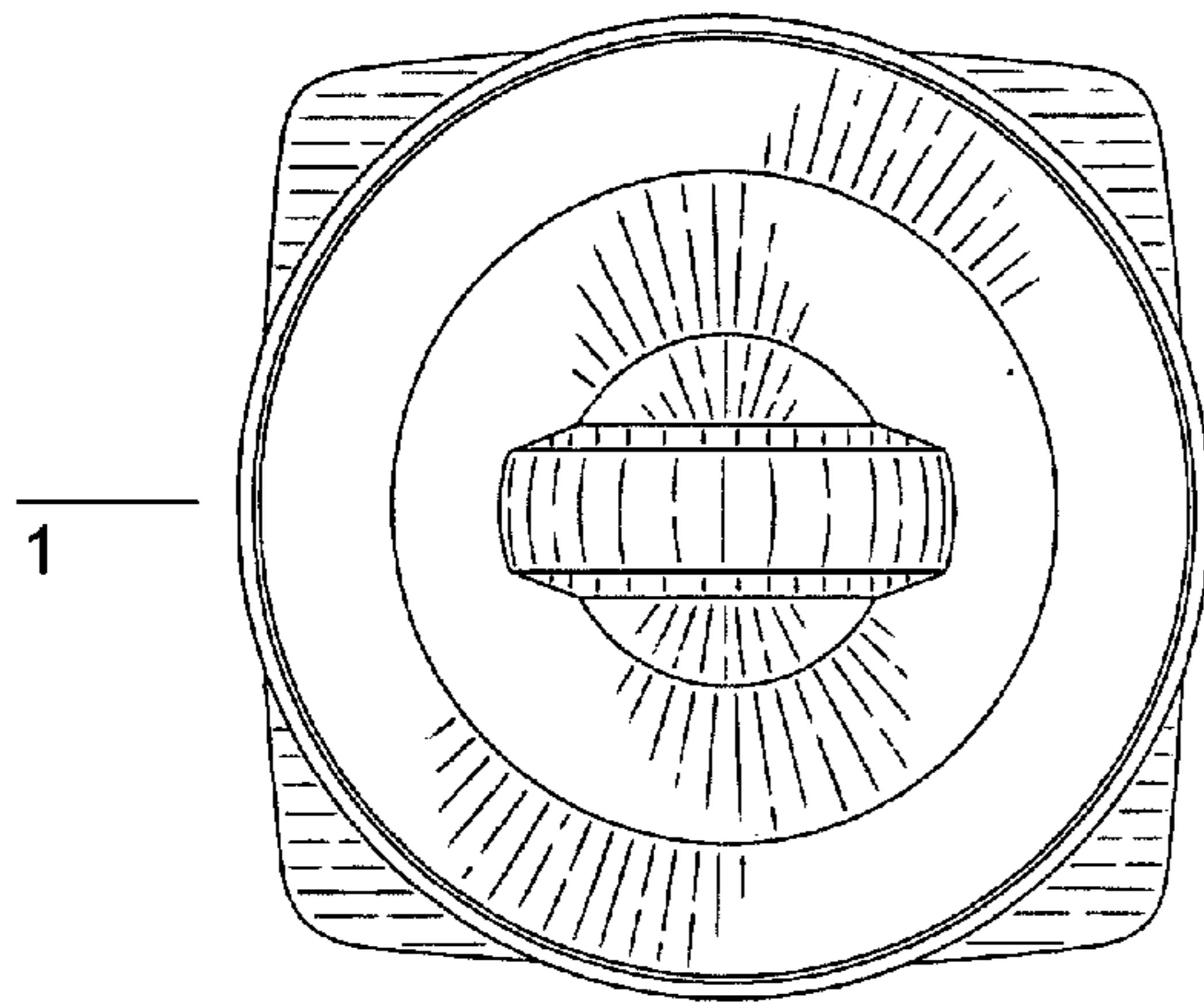


FIG. 2



1

1

FIG. 3

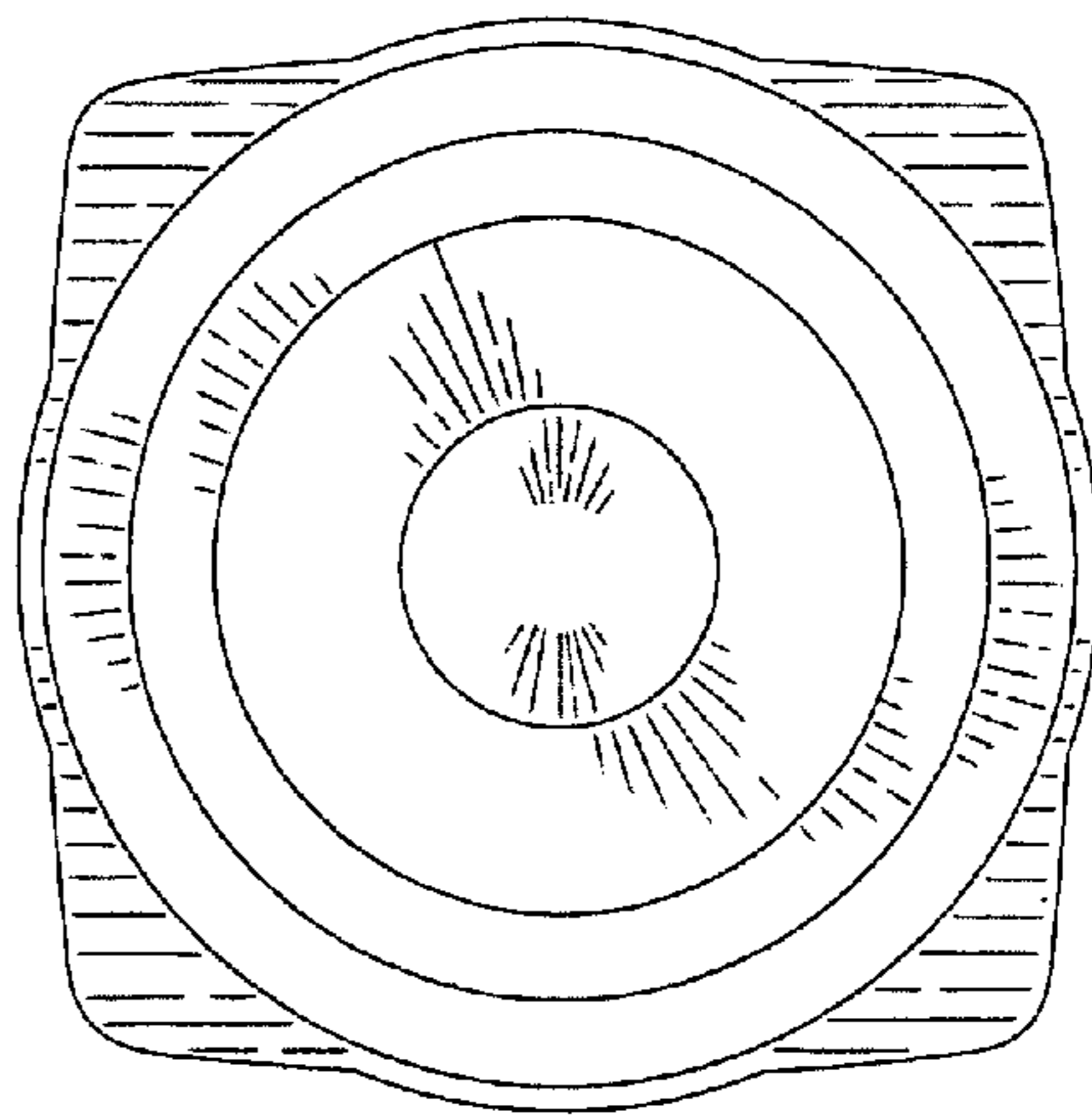


FIG. 4