

US00D554551S

(12) **United States Design Patent** (10) **Patent No.:** **US D554,551 S**
Ouchi et al. (45) **Date of Patent:** **** Nov. 6, 2007**

(54) **MAIN PART FOR BIOCHEMICAL ANALYZER**

D523,153 S * 6/2006 Akashi et al. D10/81

* cited by examiner

(75) Inventors: **Katsumi Ouchi**, Tokyo (JP); **Hiroshi Mitsumaki**, Tokyo (JP); **Hironobu Nagano**, Iizuka (JP)

Primary Examiner—Antoine D. Davis
(74) *Attorney, Agent, or Firm*—Antonelli, Terry, Stout & Kraus, LLP.

(73) Assignee: **Hitachi, Ltd.**, Tokyo (JP)

(57) **CLAIM**

(**) Term: **14 Years**

The ornamental design for an main part for biochemical analyzer, as shown.

(21) Appl. No.: **29/251,914**

(22) Filed: **Jan. 17, 2006**

DESCRIPTION

(51) **LOC (8) Cl.** **10-04**

FIG. 1 is a front, top and right side perspective view of a main part for biochemical analyzer showing our new design;

(52) **U.S. Cl.** **D10/81; D24/232**

FIG. 2 is a front elevational view thereof;

(58) **Field of Classification Search** D10/81;
D24/186, 189, 216, 231, 232; 422/50, 62-64,
422/82; 600/316

FIG. 3 is a rear elevational view thereof;

FIG. 4 is a right side elevational view thereof;

See application file for complete search history.

FIG. 5 is a left side elevational view thereof;

FIG. 6 is a top plan elevational view thereof;

(56) **References Cited**

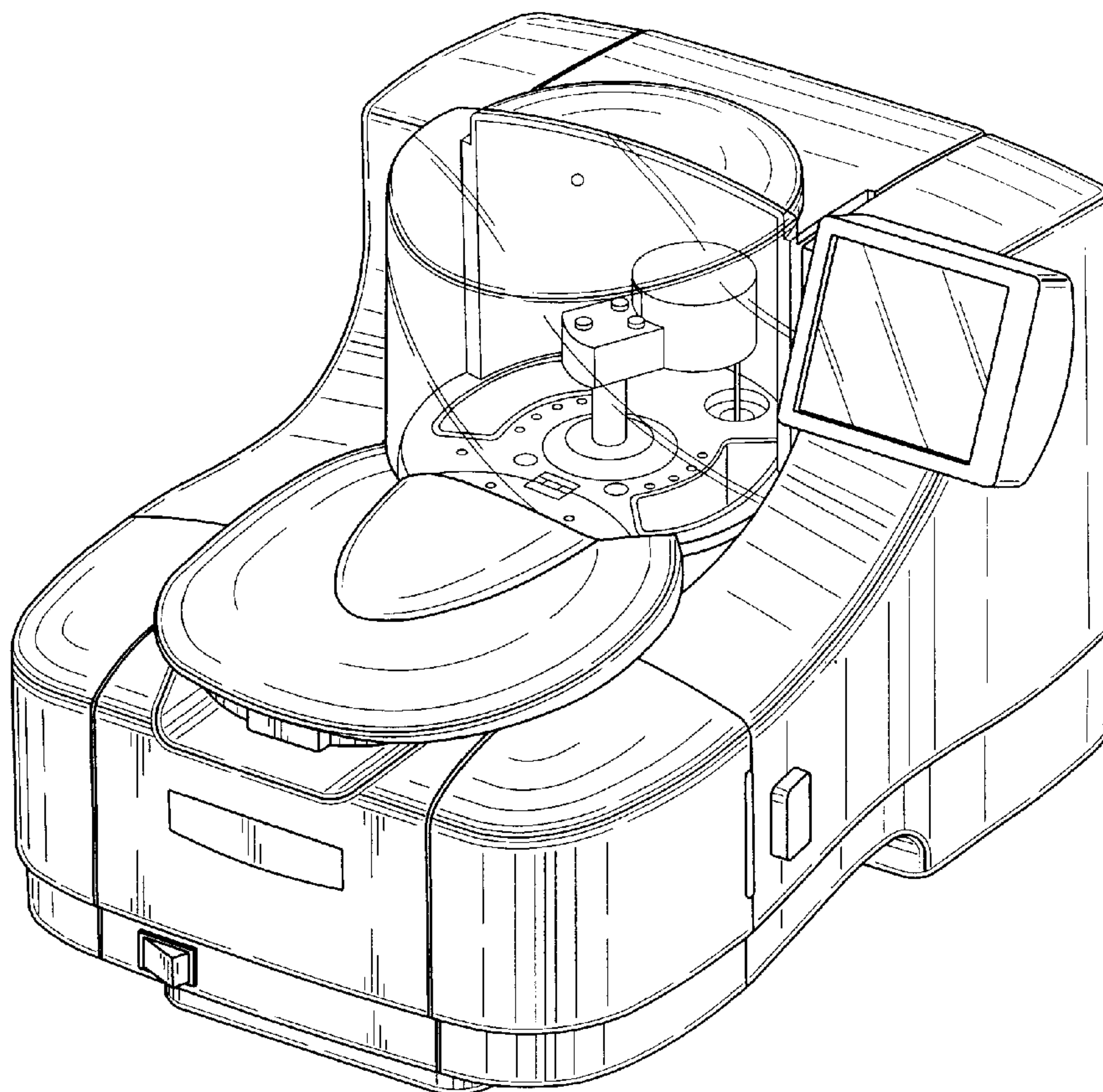
U.S. PATENT DOCUMENTS

- D251,775 S * 5/1979 Schmidt et al. D10/81
- D272,087 S * 1/1984 Smith D10/81
- D339,639 S * 9/1993 Ohnuma et al. D24/232
- D411,300 S * 6/1999 Kellstedt et al. D24/186

FIG. 7 is a bottom plan elevational view thereof; and,

FIG. 8 is a front, top and right side perspective view thereof with the cover is opened.

1 Claim, 6 Drawing Sheets



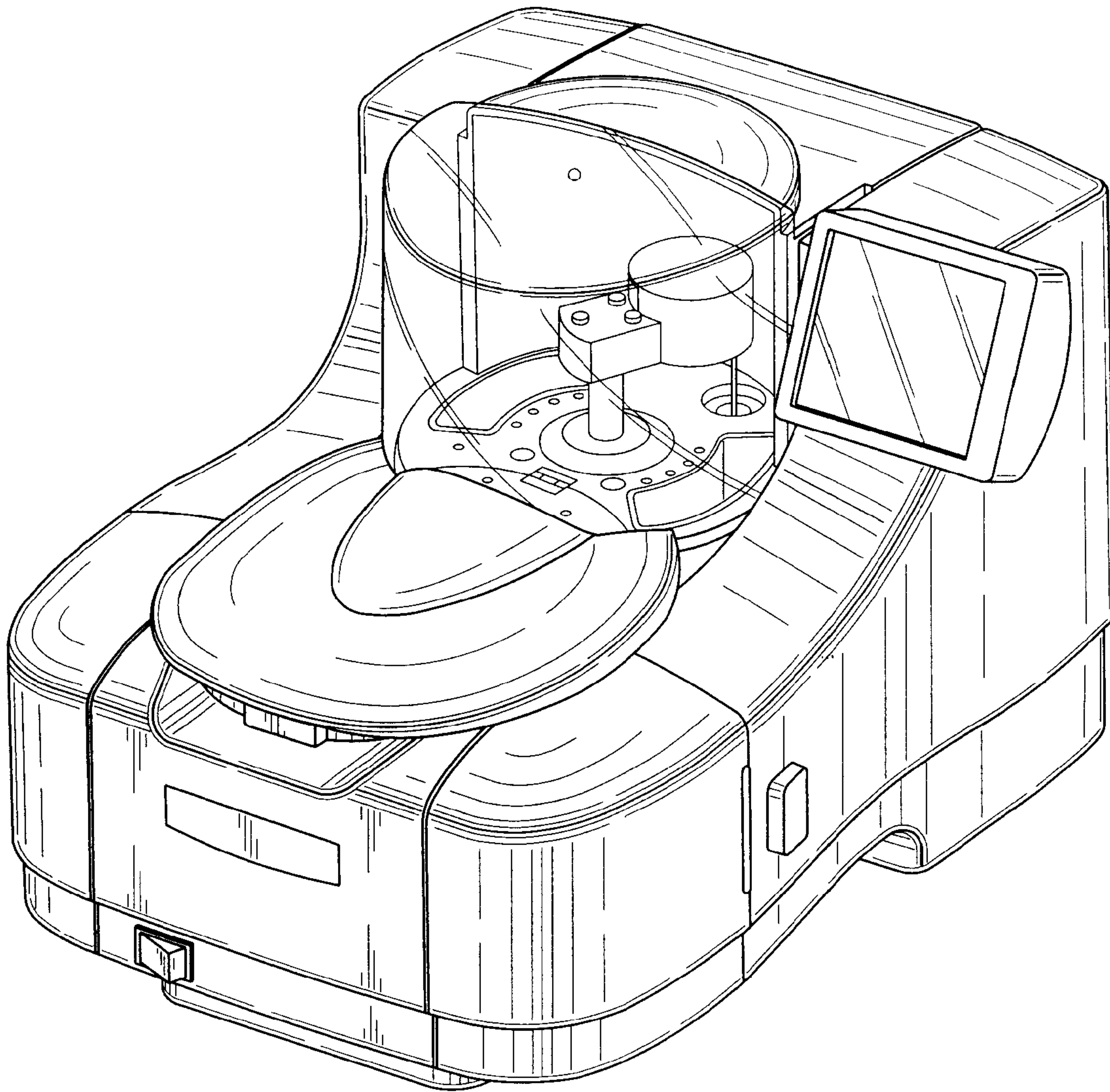


FIG. 1

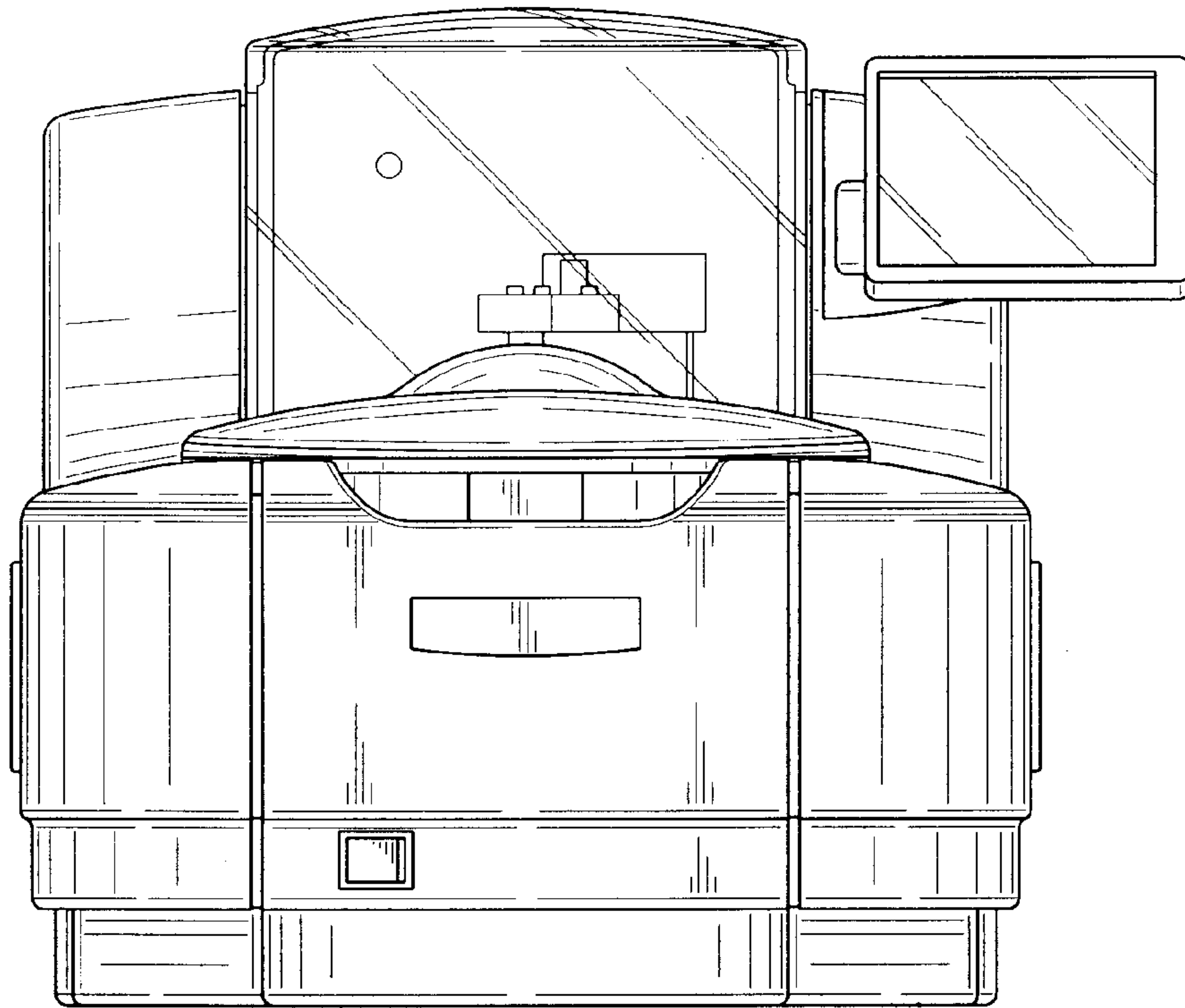


FIG. 2

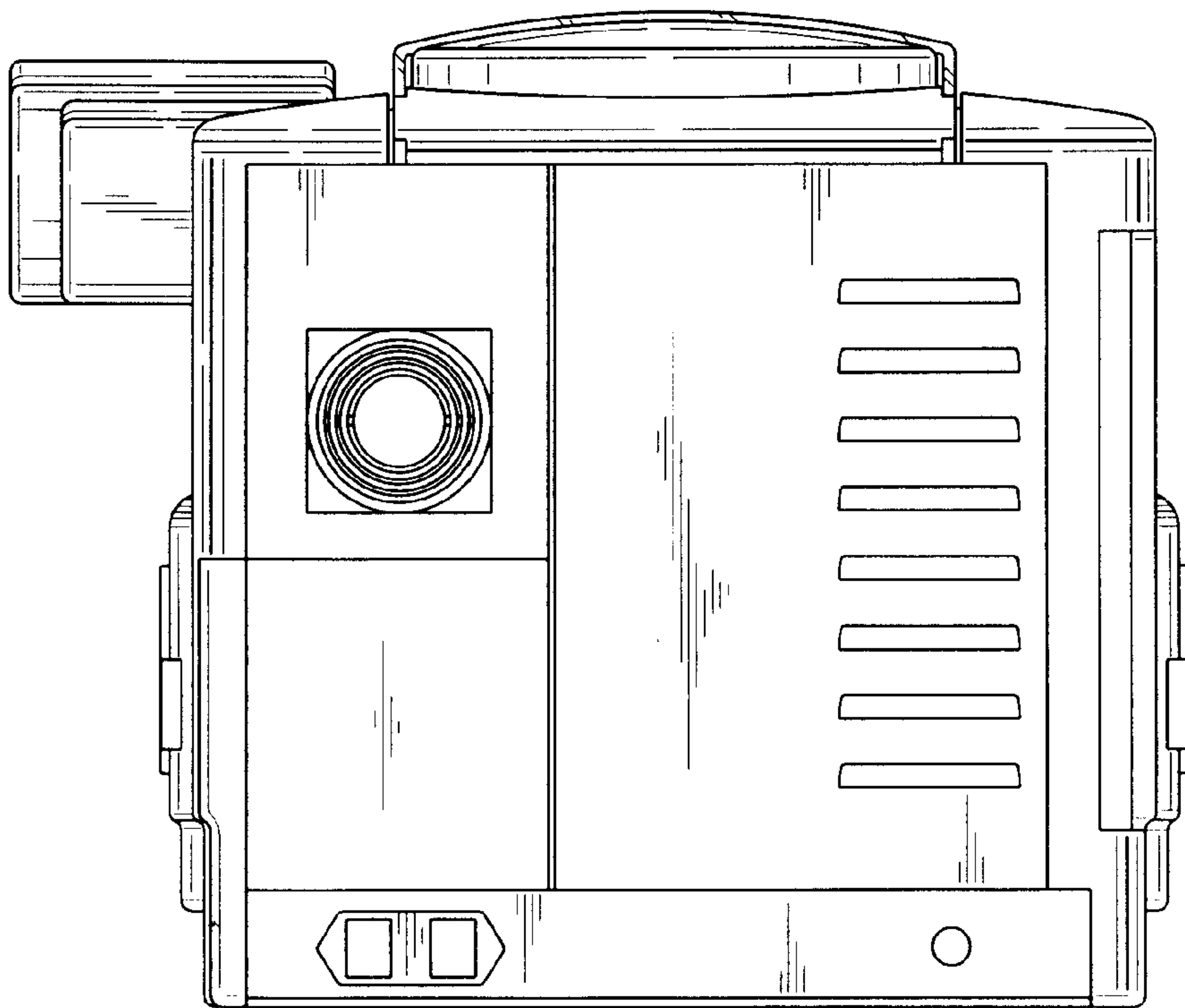


FIG. 3

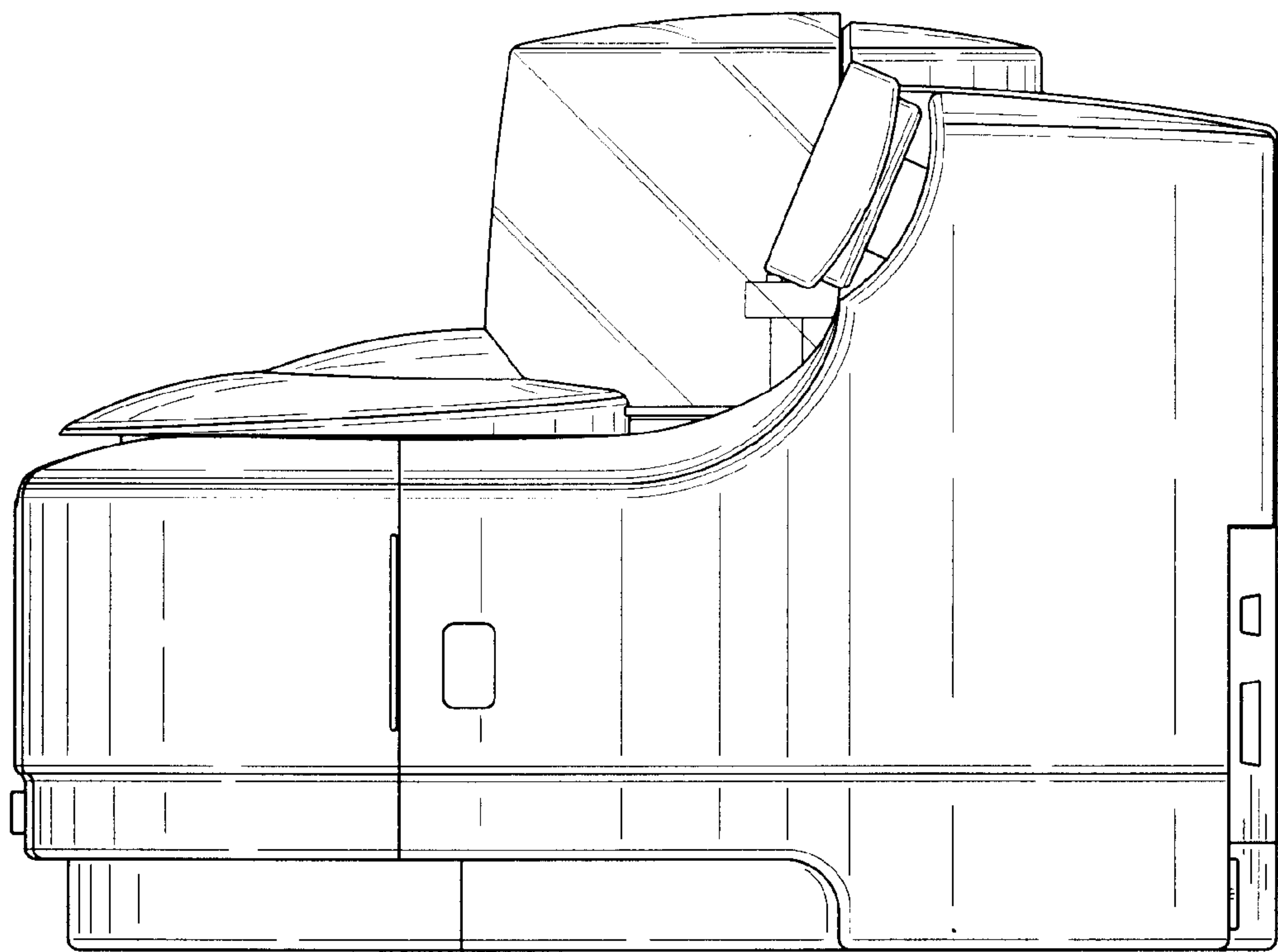


FIG. 4

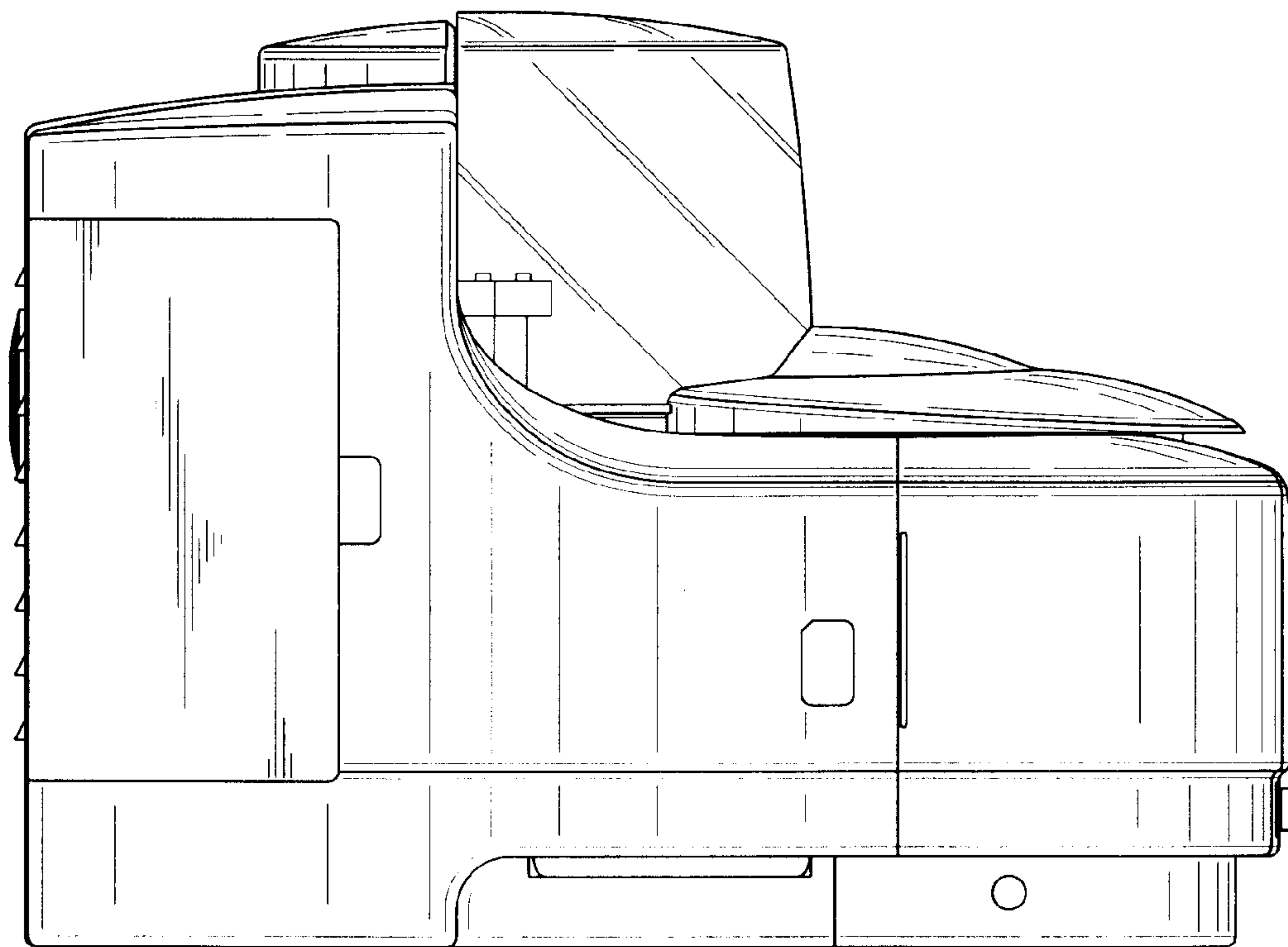


FIG. 5

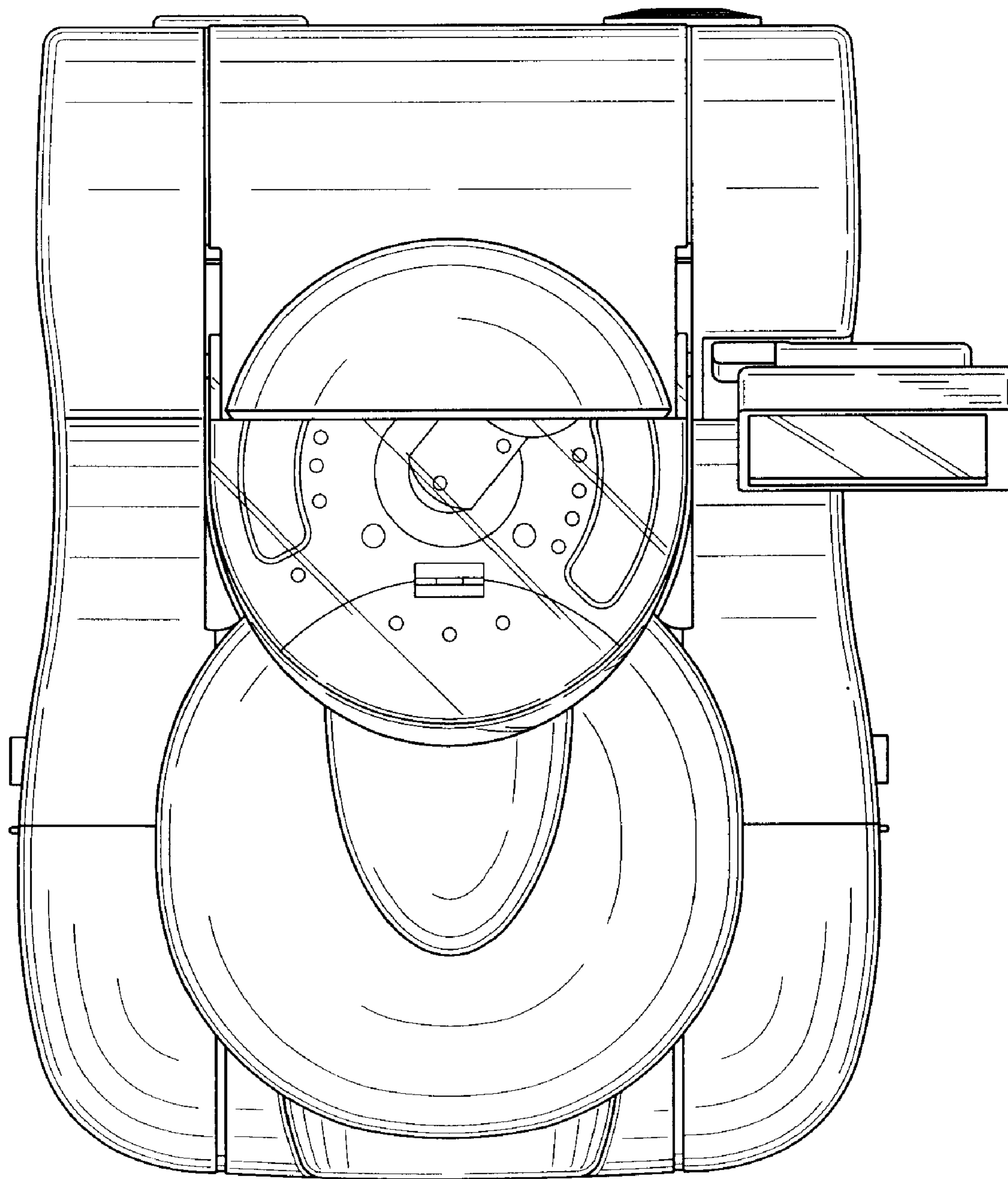


FIG. 6

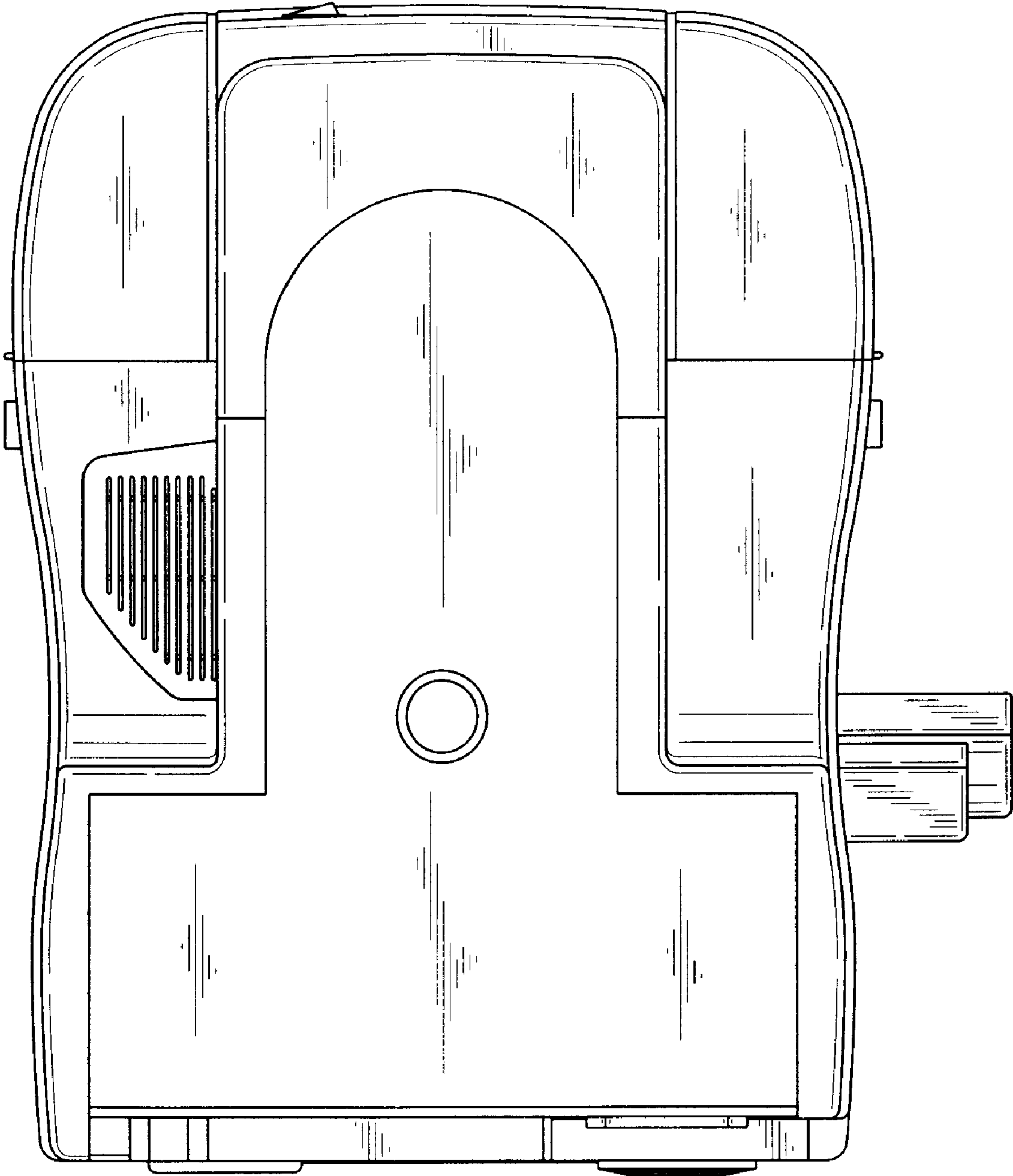


FIG. 7

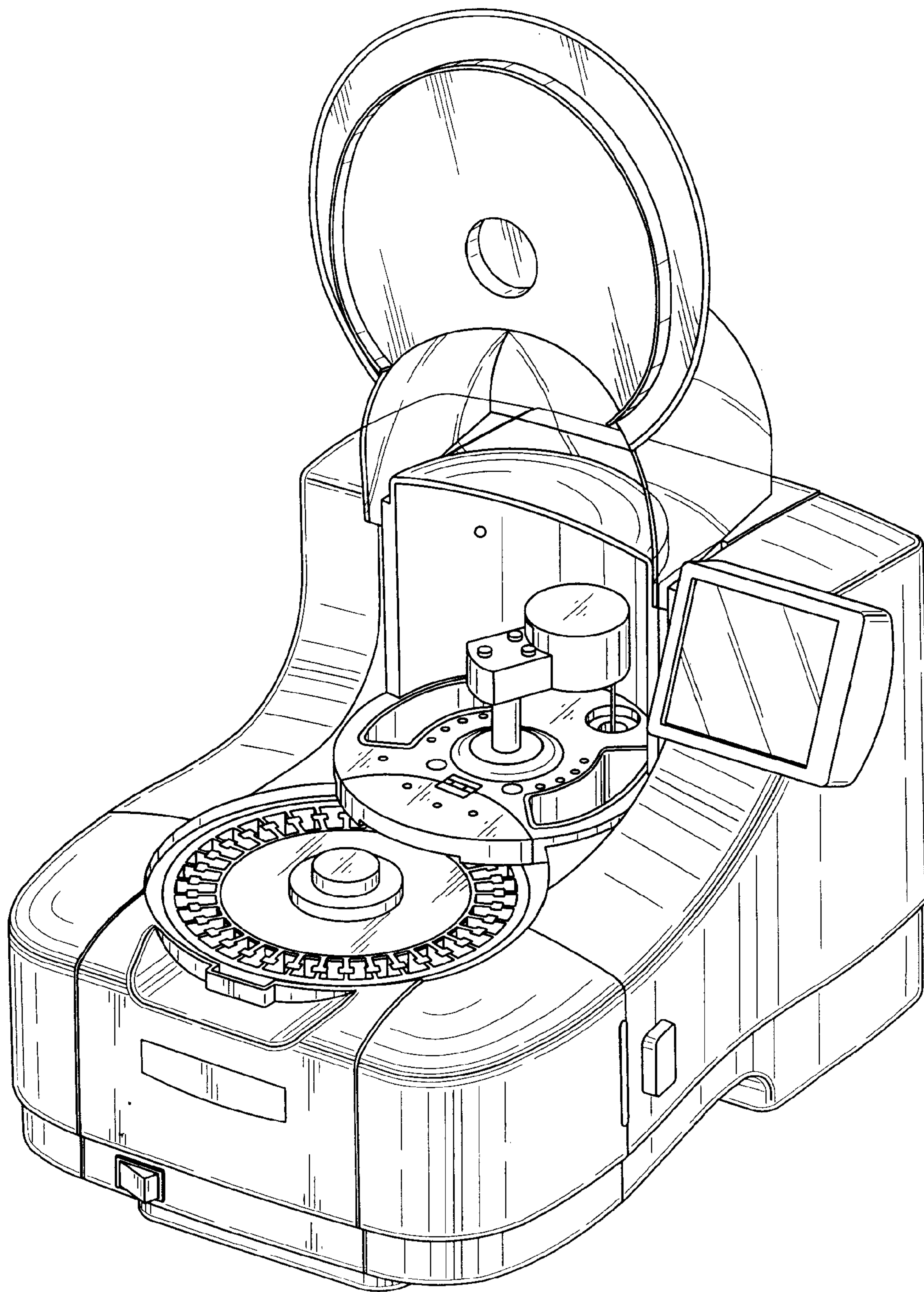


FIG. 8