



US00D554543S

(12) **United States Design Patent**
Meyer

(10) **Patent No.:** **US D554,543 S**

(45) **Date of Patent:** **** Nov. 6, 2007**

(54) **ALIGNMENT TARGET APPARATUS**

(75) Inventor: **Gregory F. Meyer**, St. Louis, MO (US)

(73) Assignee: **Hunter Engineering Company**,
Bridgeton, MO (US)

(**) Term: **14 Years**

(21) Appl. No.: **29/250,257**

(22) Filed: **Nov. 8, 2006**

(51) **LOC (8) Cl.** **10-04**

(52) **U.S. Cl.** **D10/46**

(58) **Field of Classification Search** D10/46,
D10/65, 70; 33/203.18, 203.19, 286, 288,
33/293, 203, 227, 228; 348/169; 382/291,
382/103, 104, 151, 289, 488, 173, 100, 107,
382/199, 224, 153, 141, 155, 159; 356/155,
356/139.09; 700/110, 159, 259, 27; 901/3,
901/47

See application file for complete search history.

(56) **References Cited**

U.S. PATENT DOCUMENTS

D363,031 S * 10/1995 Bruegmann et al. D10/46

D399,764 S * 10/1998 Bruegmann et al. D10/46
5,987,761 A * 11/1999 Ohnesorge 33/203.18
6,131,293 A * 10/2000 Maioli et al. 33/203.18
6,526,665 B2 * 3/2003 Jackson 33/203.18
D527,031 S * 8/2006 Andrews et al. D10/46

* cited by examiner

Primary Examiner—Antoine D. Davis

(74) *Attorney, Agent, or Firm*—Armstrong Teasdale LLP

(57) **CLAIM**

I claim the ornamental design for an alignment target apparatus, as shown and described.

DESCRIPTION

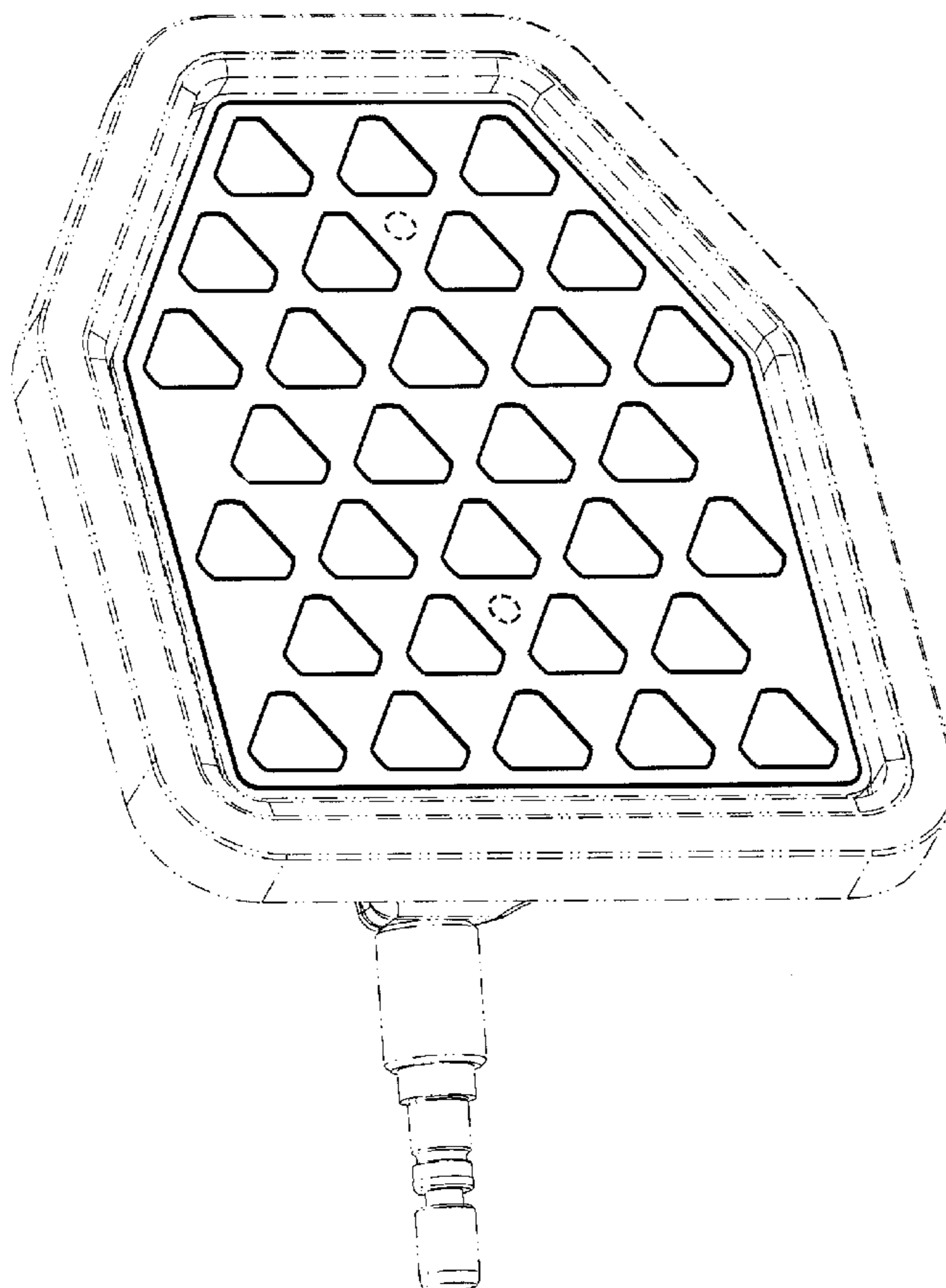
FIG. 1 is a front perspective view of the alignment target apparatus of our new design.

FIG. 2 is a top plan view of the target apparatus shown in FIG. 1; and,

FIG. 3 is an end elevational view of the target apparatus shown in FIG. 1.

The broken line showing of structure is included for the purpose of illustrating non-claimed subject matter and forms no part of the claimed design.

1 Claim, 3 Drawing Sheets



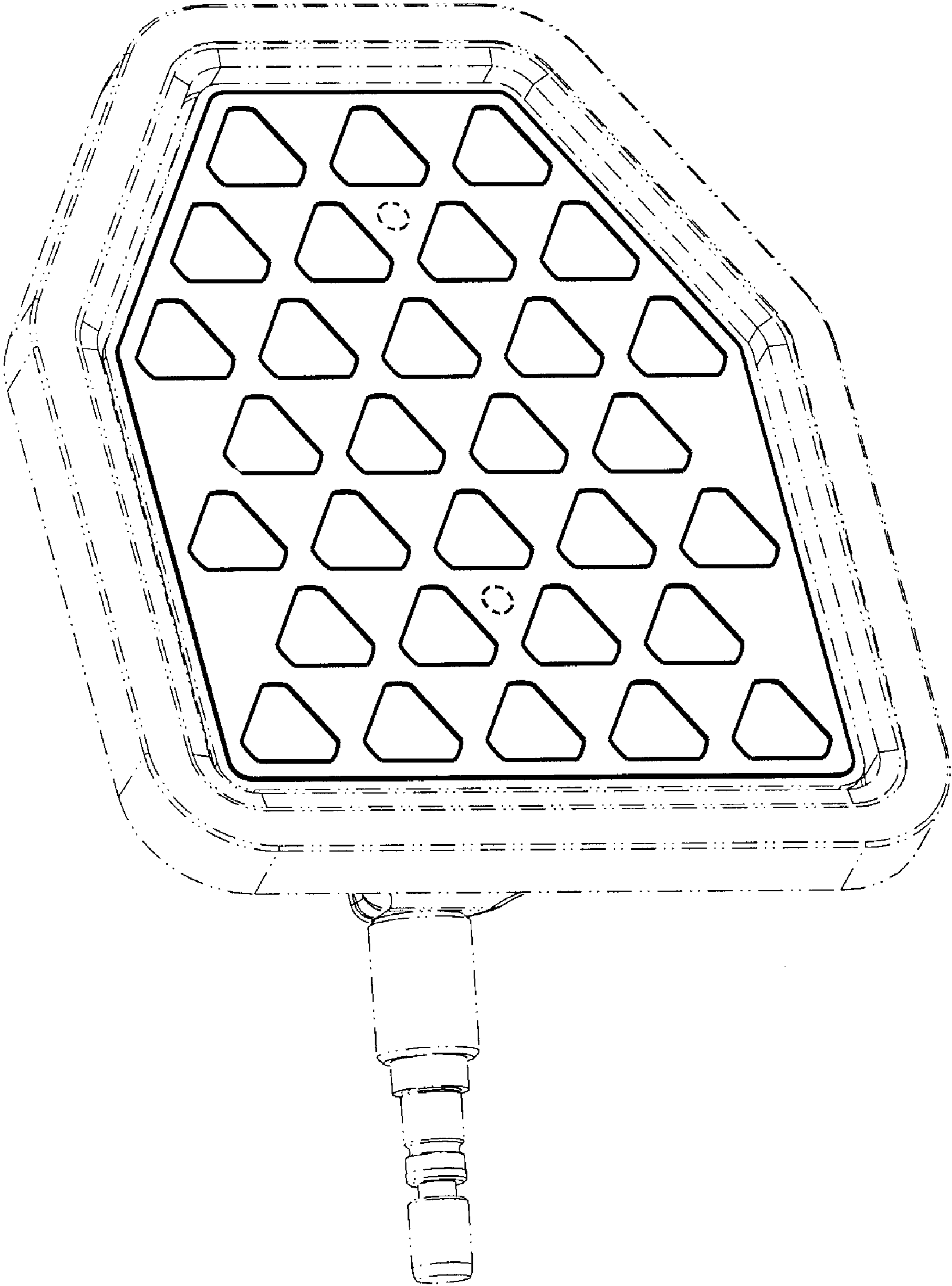


FIG. 1

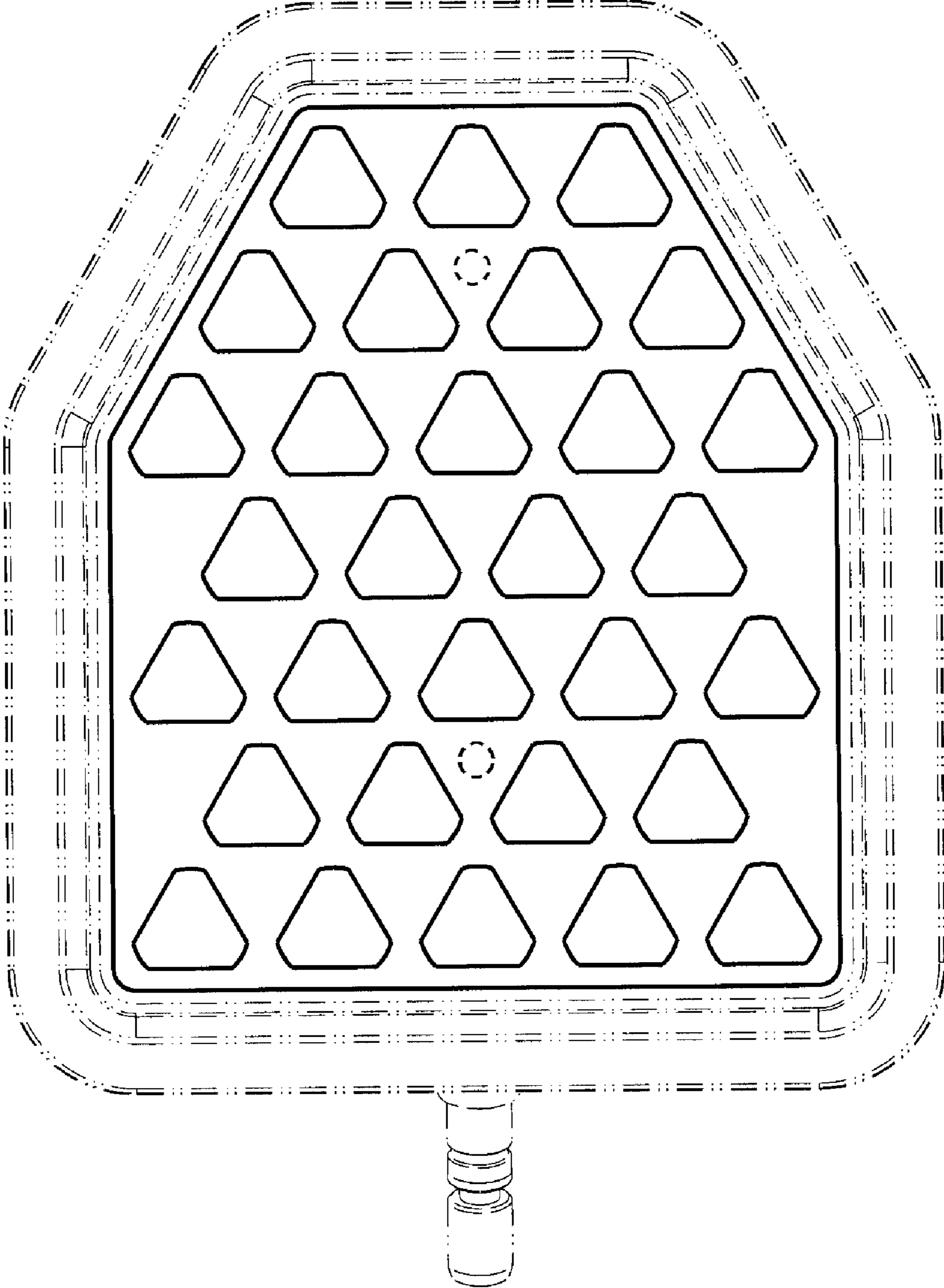


FIG. 2

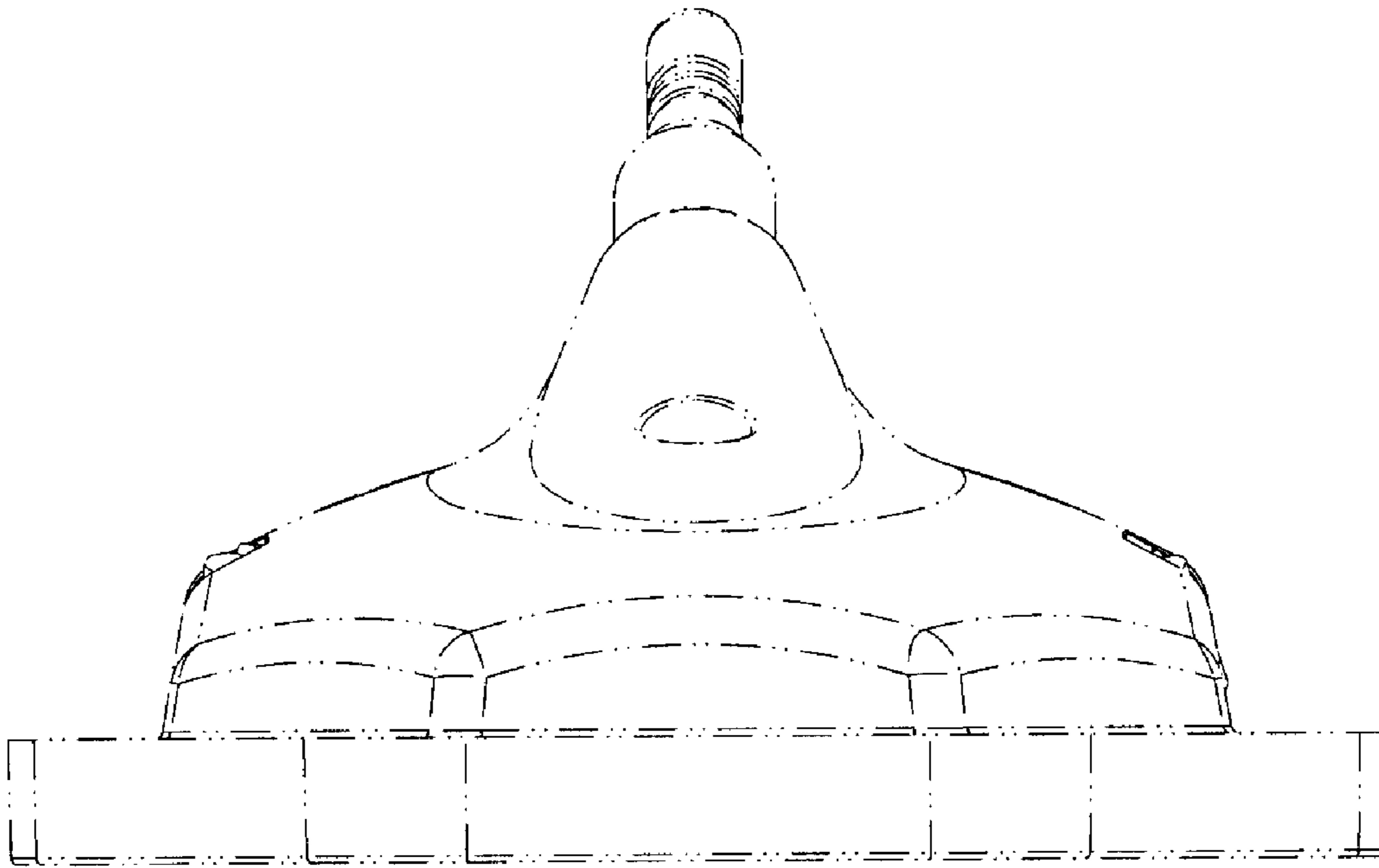


FIG. 3