



US00D554542S

(12) **United States Design Patent**
Laucella et al.

(10) **Patent No.:** **US D554,542 S**
(45) **Date of Patent:** **** Nov. 6, 2007**

(54) **WRIST WATCH**

(75) Inventors: **Vincent Laucella**, Le Brassus (CH);
Christian Lattmann, Neuchâtel (CH)

(73) Assignee: **The Swatch Group Management Services AG (The Swatch Group Management Services SA) (The Swatch Group Management Services Ltd)**, Biel/Bienne (CH)

(**) Term: **14 Years**

(21) Appl. No.: **29/249,424**

(22) Filed: **Oct. 5, 2006**

(30) **Foreign Application Priority Data**

May 24, 2006 (WO) DM/067 833

(51) **LOC (8) Cl.** **10-02**

(52) **U.S. Cl.** **D10/39; D10/31**

(58) **Field of Classification Search** D10/30-39,
D10/122-132; 368/276, 277, 281-283, 285,
368/223, 228, 232, 80, 306, 309, 319, 14,
368/28, 21, 294, 295

See application file for complete search history.

(56) **References Cited**

U.S. PATENT DOCUMENTS

D349,061 S * 7/1994 Morishima D10/38

D355,376 S * 2/1995 Nakai D10/38
D355,380 S * 2/1995 Nakai D10/39
D356,042 S * 3/1995 Nakanishi D10/39
D385,805 S * 11/1997 Giardiello D10/39
D389,071 S * 1/1998 Giardiello D10/31
D391,501 S * 3/1998 Giardiello D10/39
5,724,317 A * 3/1998 Kubota et al. 368/11
D447,427 S * 9/2001 Finazzi D10/39
D457,071 S * 5/2002 Blauer et al. D10/30
D533,084 S * 12/2006 Arabo D10/32
D539,669 S * 4/2007 Vaptzarof D10/31

* cited by examiner

Primary Examiner—Lucy Lieberman

(74) *Attorney, Agent, or Firm*—Collen IP; Donald J. Ranft

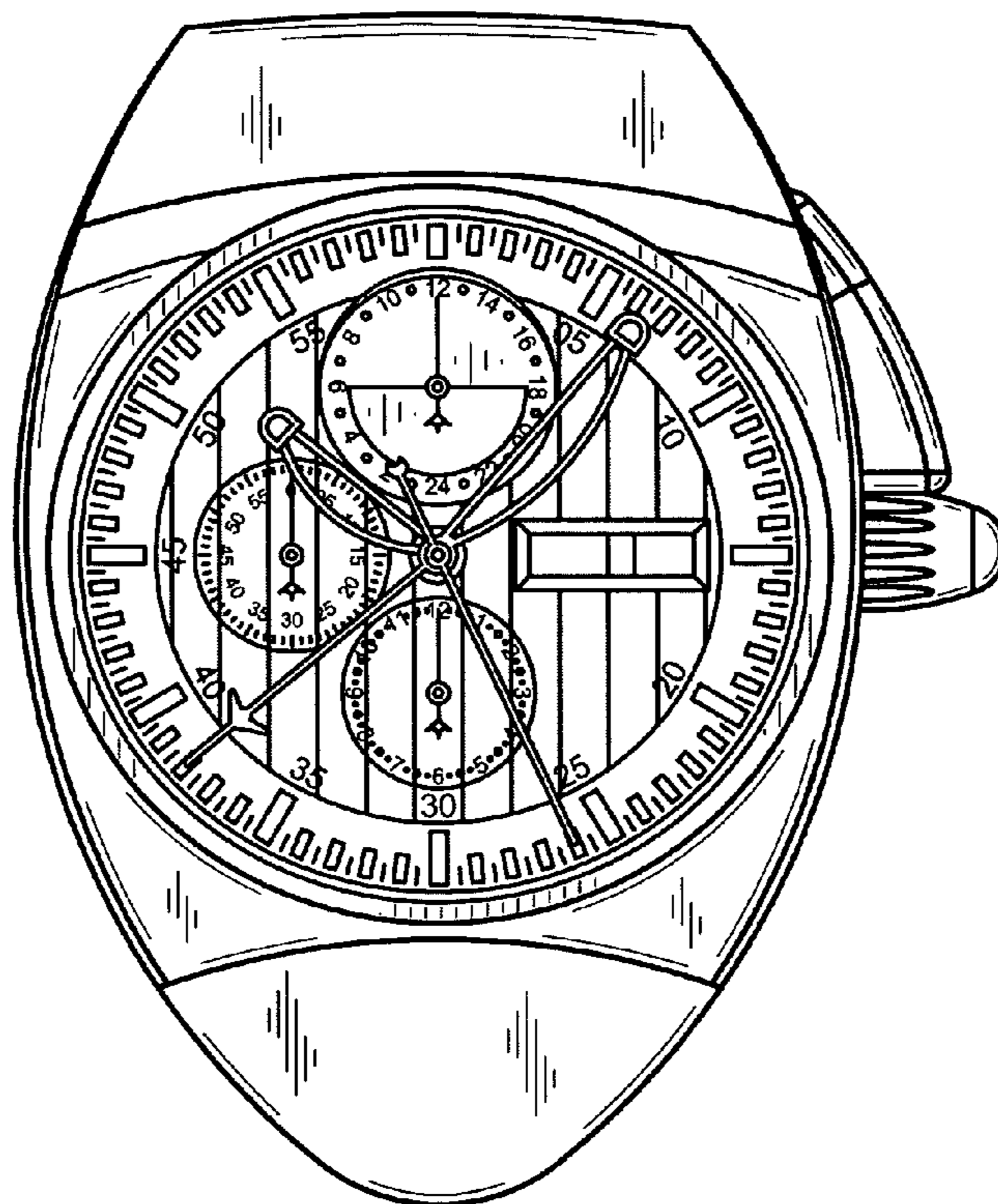
(57) **CLAIM**

The ornamental design for a wrist watch, as shown and described.

DESCRIPTION

FIG. 1 is a front view of our design for a wrist watch;
FIG. 2 is a rear view thereof;
FIG. 3 is a right side view thereof;
FIG. 4 is a left side view thereof;
FIG. 5 is a top view thereof;
FIG. 6 is a bottom view thereof; and,
FIG. 7 is a perspective view thereof.

1 Claim, 4 Drawing Sheets



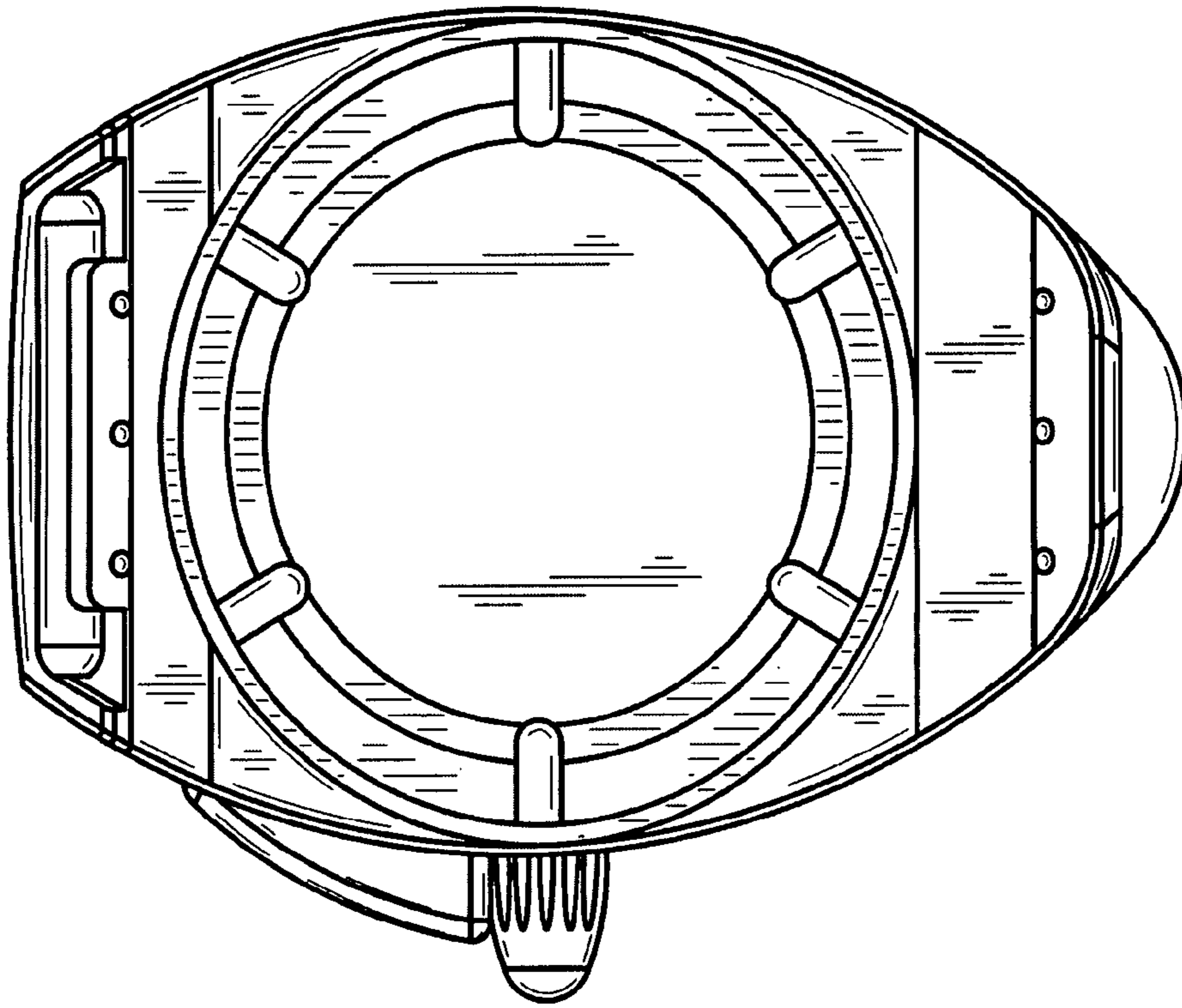


FIG. 2

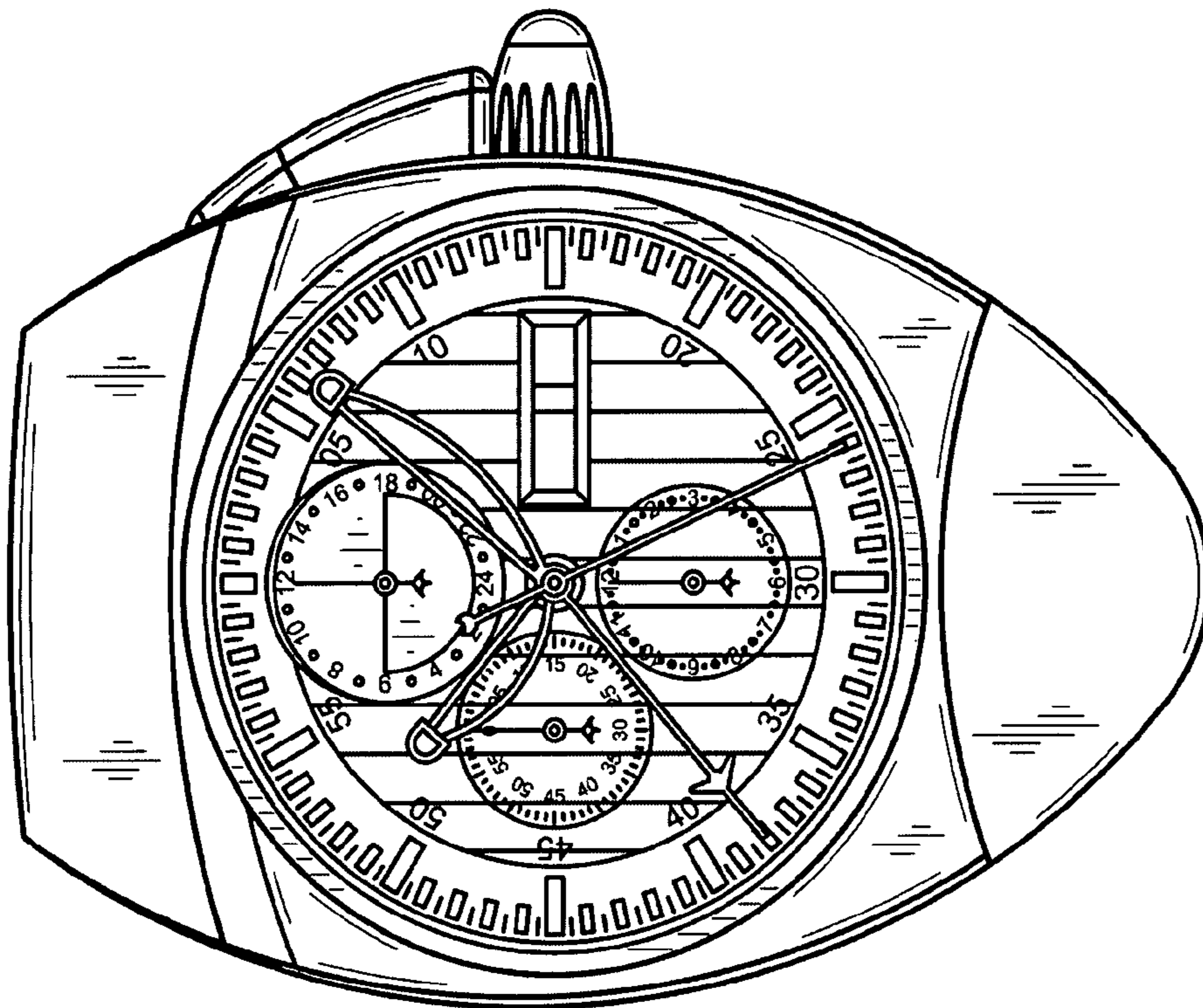


FIG. 1

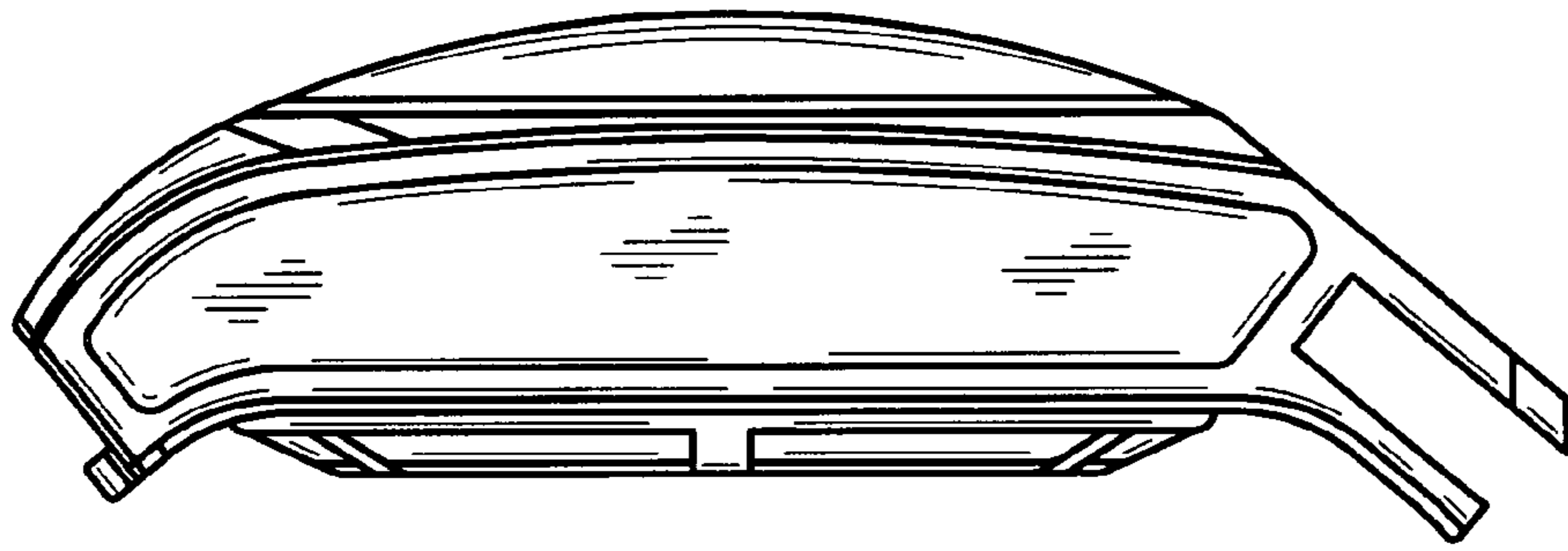


FIG. 4

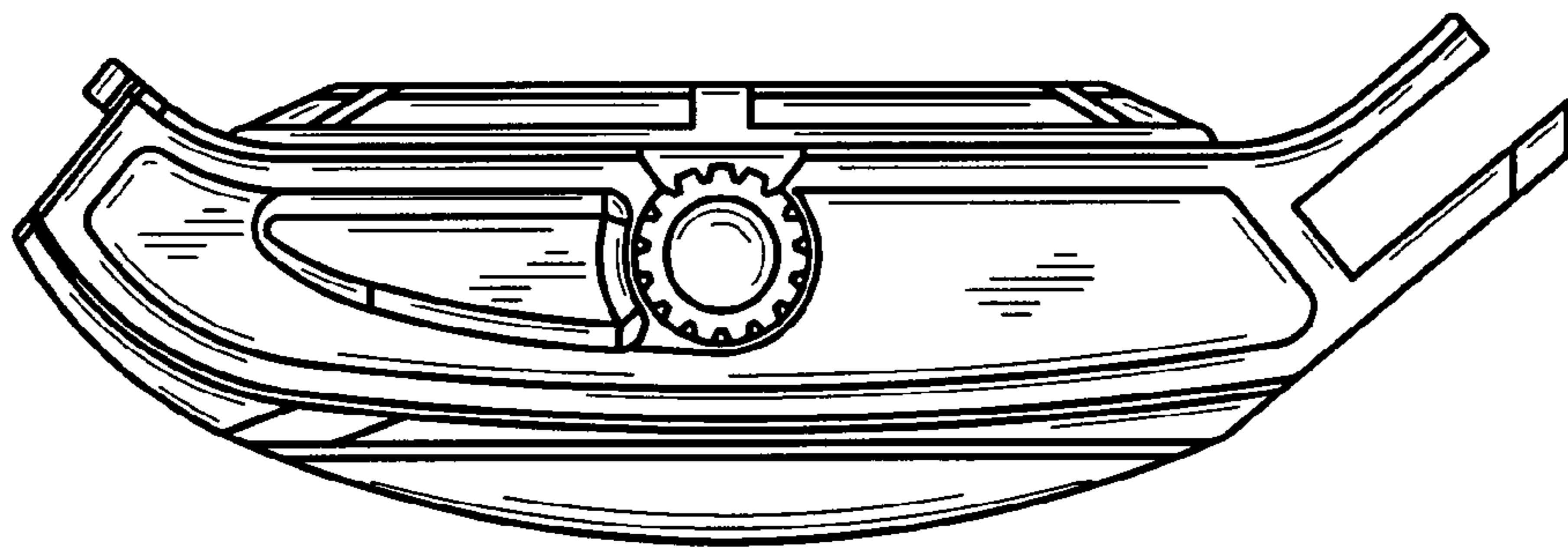


FIG. 3

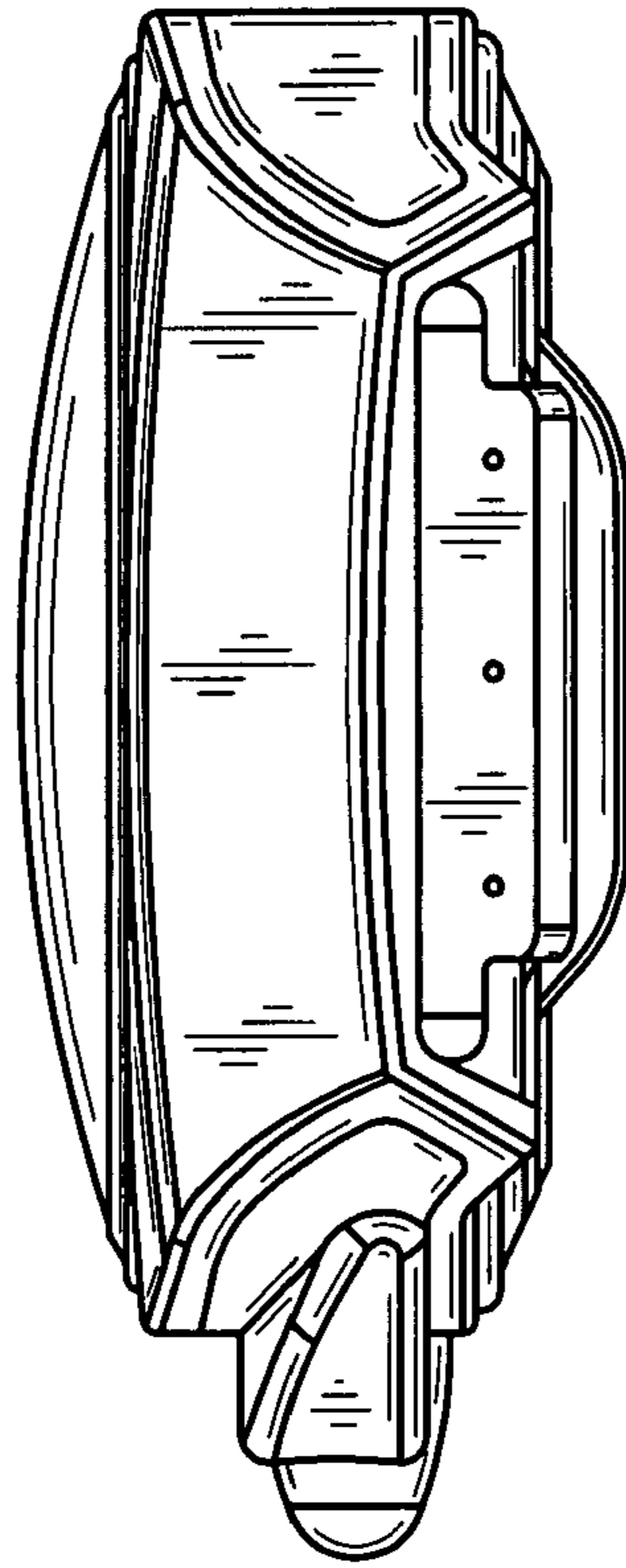


FIG. 5

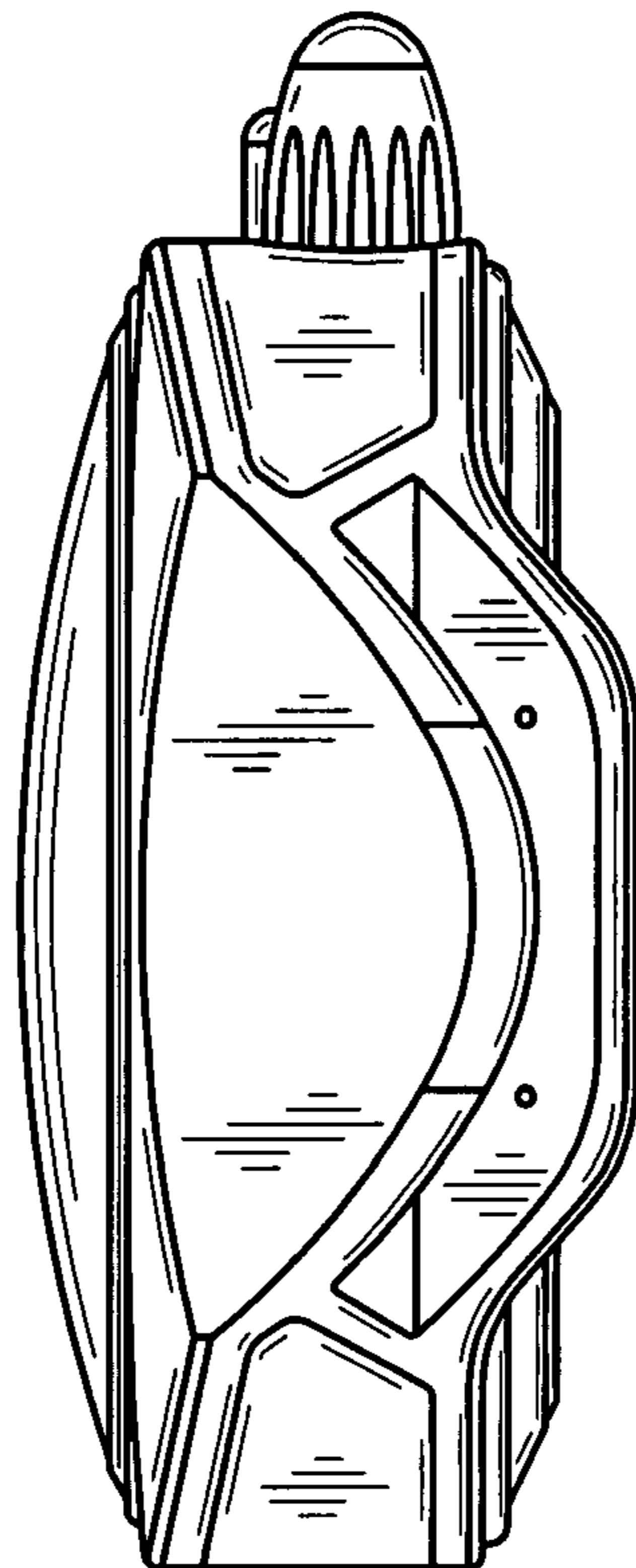


FIG. 6

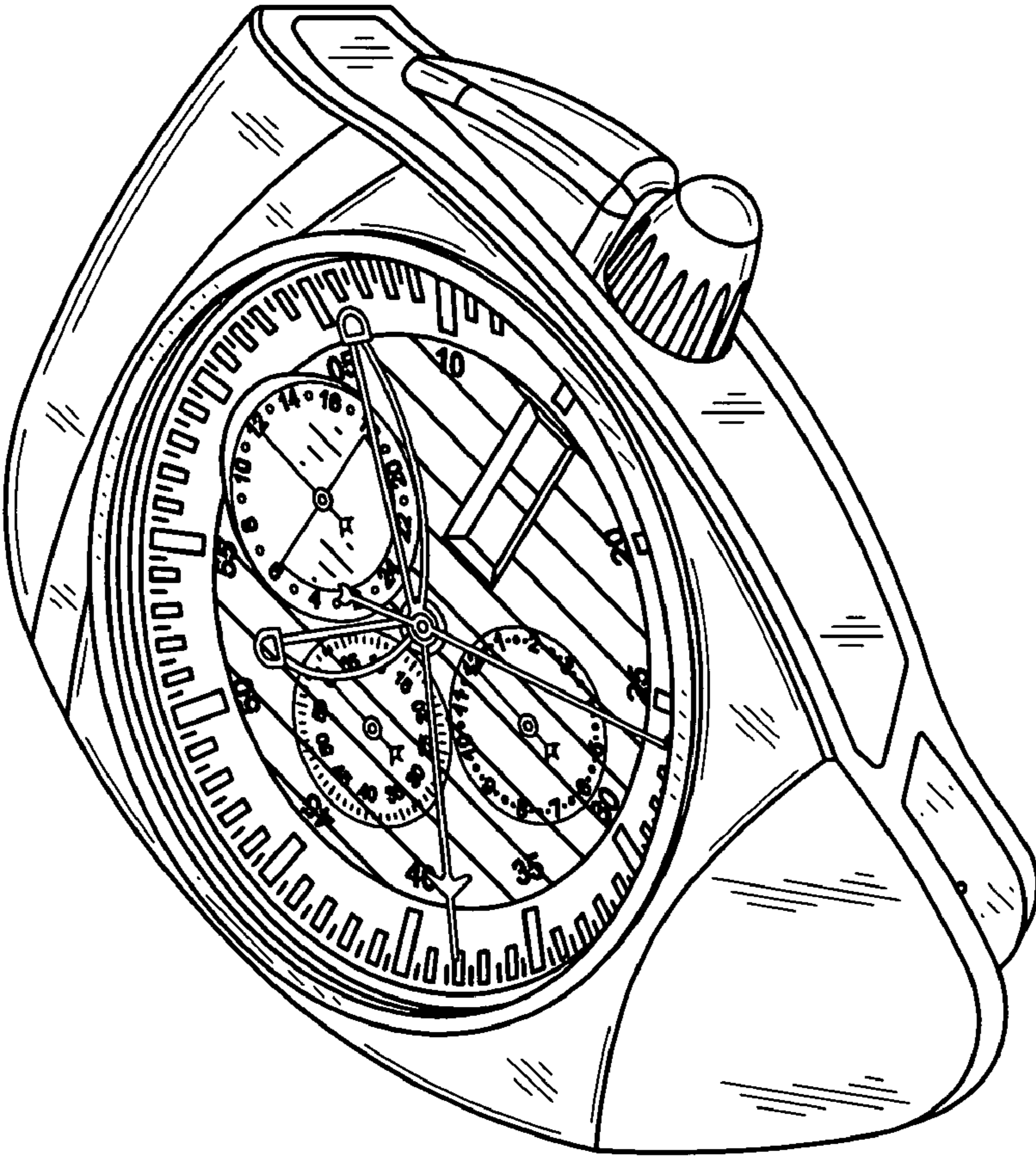


FIG. 7