



US00D554533S

(12) **United States Design Patent**  
**Sharma et al.**

(10) **Patent No.:** **US D554,533 S**

(45) **Date of Patent:** **\*\* Nov. 6, 2007**

(54) **TWO-CUP INTERCONNECT**

(75) Inventors: **Mangat Rai Sharma**, Jevnakar (NO);  
**Donald Victor Breton**, North  
Vassalboro, ME (US); **Robert Kendall**  
**Hussey**, South China, ME (US)

(73) Assignee: **Huhtamaki Nederland B.V.** (NL)

(\*\*) Term: **14 Years**

(21) Appl. No.: **29/242,259**

(22) Filed: **Nov. 7, 2005**

(30) **Foreign Application Priority Data**

May 21, 2005 (EM) ..... 000419510

(51) **LOC (8) Cl.** ..... **09-03**

(52) **U.S. Cl.** ..... **D9/755**

(58) **Field of Classification Search** ..... D9/425,  
D9/428, 420, 432, 455, 456, 424, 737, 755;  
D7/553.1, 553.2, 553.3; 206/203, 427, 557,  
206/521, 521.1, 564; 229/406, 407, 902,  
229/904; 294/143, 159, 144, 172  
See application file for complete search history.

(56) **References Cited**

**U.S. PATENT DOCUMENTS**

D249,622 S \* 9/1978 Vigue ..... D7/391  
D253,561 S \* 12/1979 Vigue ..... D9/755

D279,259 S \* 6/1985 Bixler et al. .... D9/755  
D290,580 S \* 6/1987 Vigue ..... D9/755  
D309,258 S \* 7/1990 Vigue ..... D9/755  
D319,579 S \* 9/1991 Vigue ..... D9/755  
5,096,065 A \* 3/1992 Vigue ..... 206/564  
D331,008 S \* 11/1992 Vigue ..... D7/553.3  
D384,275 S \* 9/1997 DuBois et al. .... D9/755  
5,713,619 A \* 2/1998 DuBois et al. .... 294/159  
6,076,876 A \* 6/2000 Letourneau et al. .... 294/143  
6,398,056 B1 \* 6/2002 Letourneau et al. .... 220/23.8

\* cited by examiner

*Primary Examiner*—Stella Reid

*Assistant Examiner*—Mark Goodwin

(74) *Attorney, Agent, or Firm*—Greenberg Traurig, LLP

(57) **CLAIM**

The ornamental design for a two-cup interconnect, as shown and described.

**DESCRIPTION**

FIG. 1 is a top plan view of a two-cup interconnect showing our new design;

FIG. 2 is a rear view thereof;

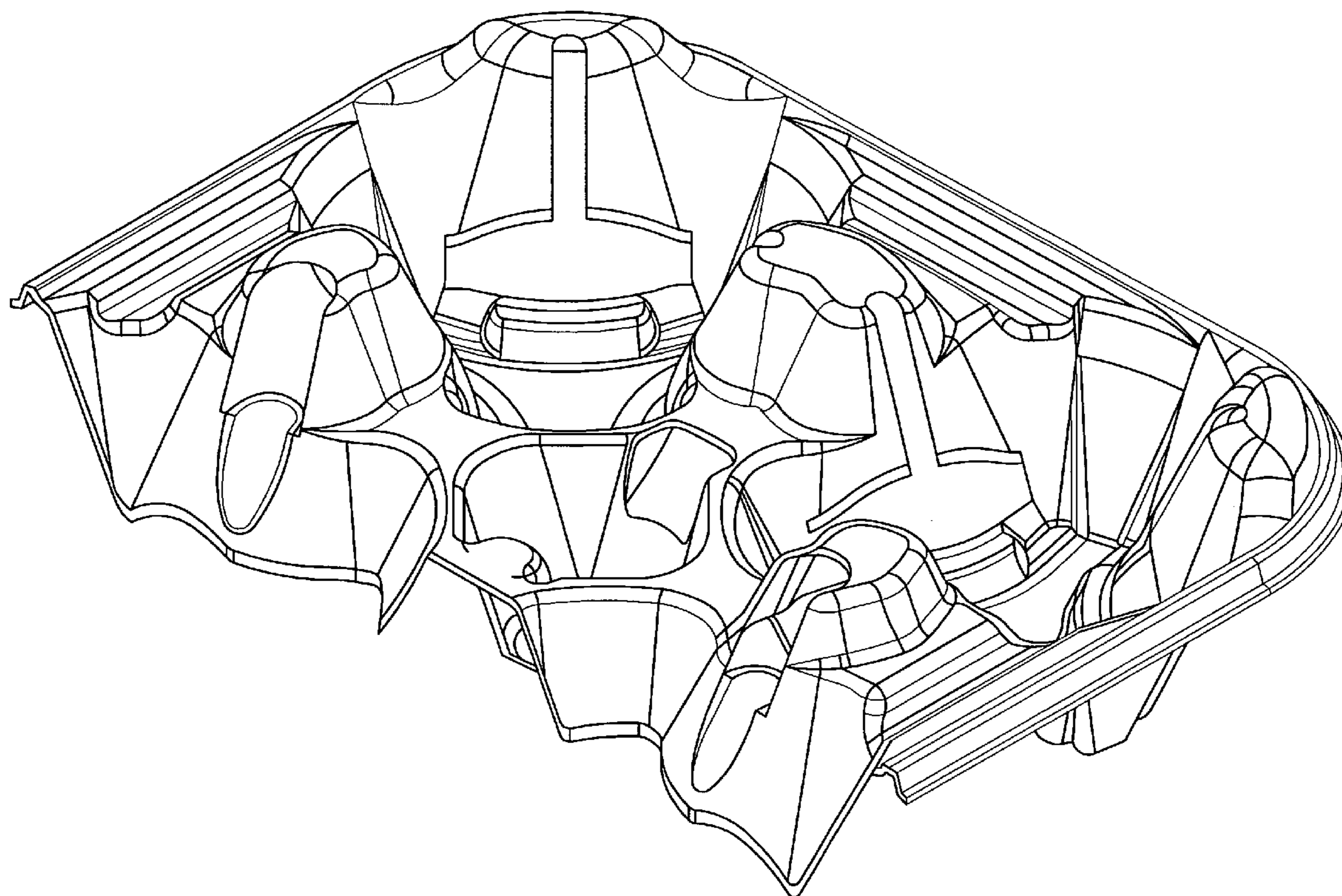
FIG. 3 is a left side view thereof;

FIG. 4 is a right side view thereof;

FIG. 5 is a front view thereof; and,

FIG. 6 is a top perspective view thereof.

**1 Claim, 5 Drawing Sheets**



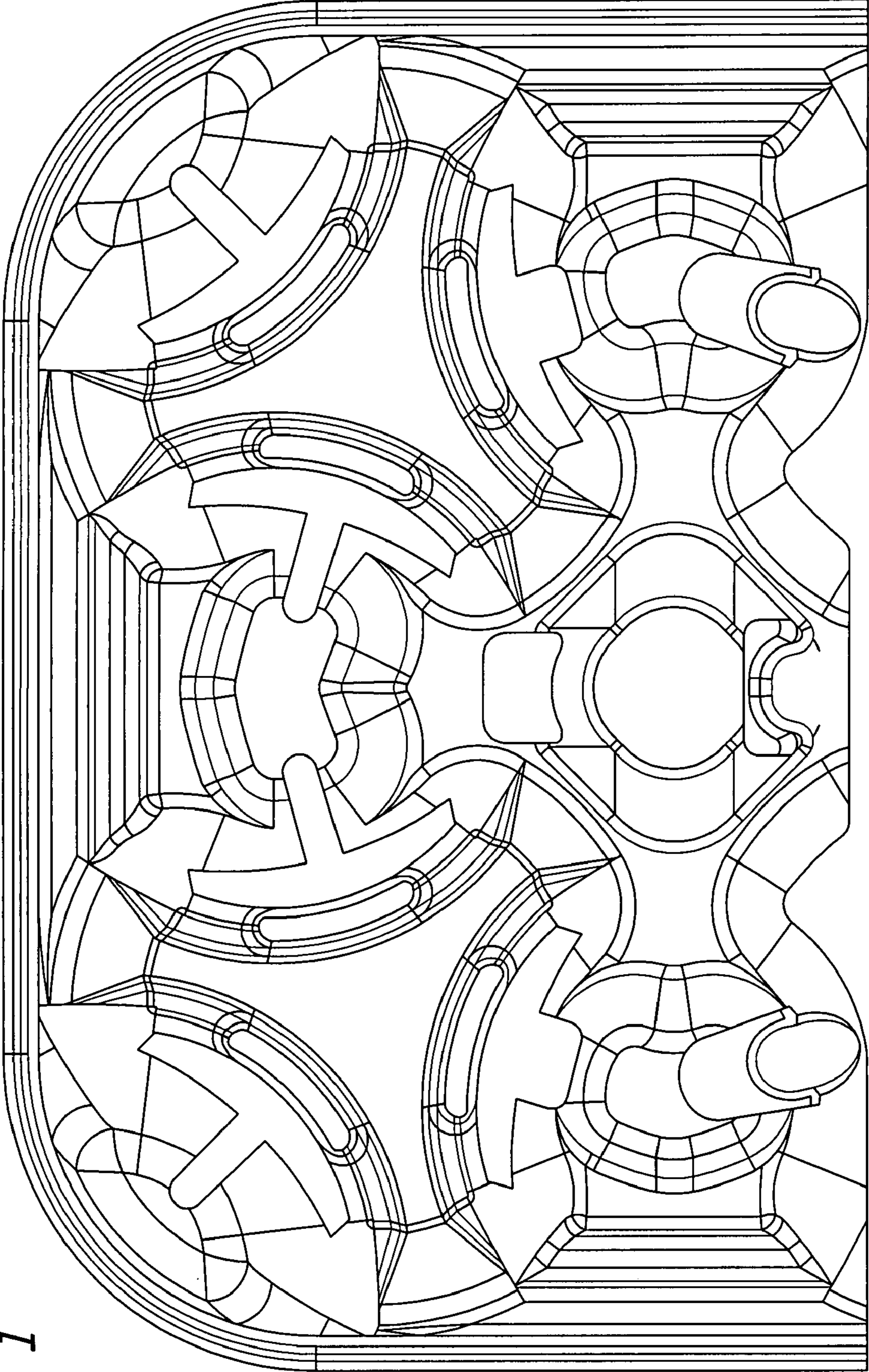


FIG. 1

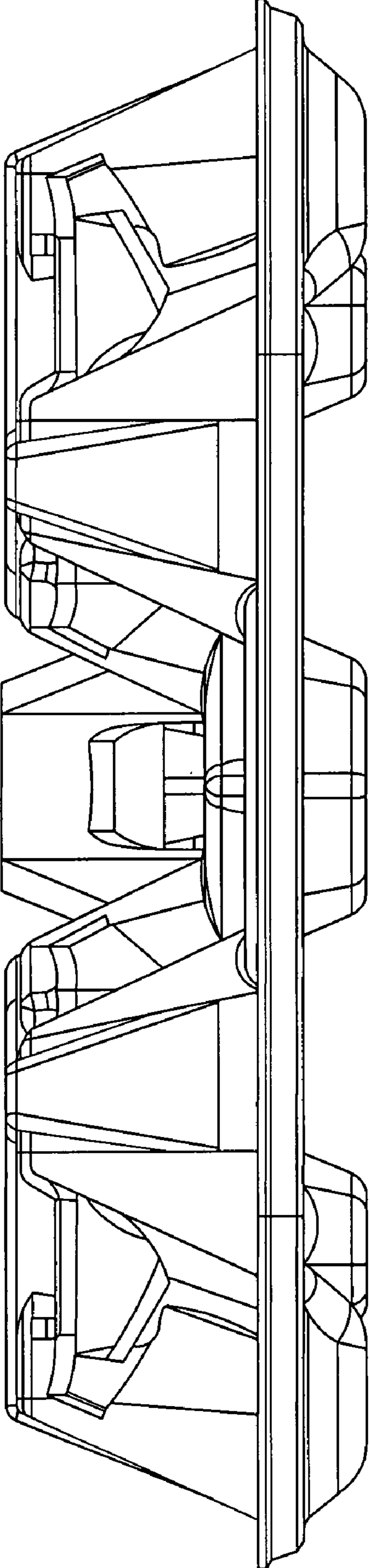


FIG. 2

FIG. 4

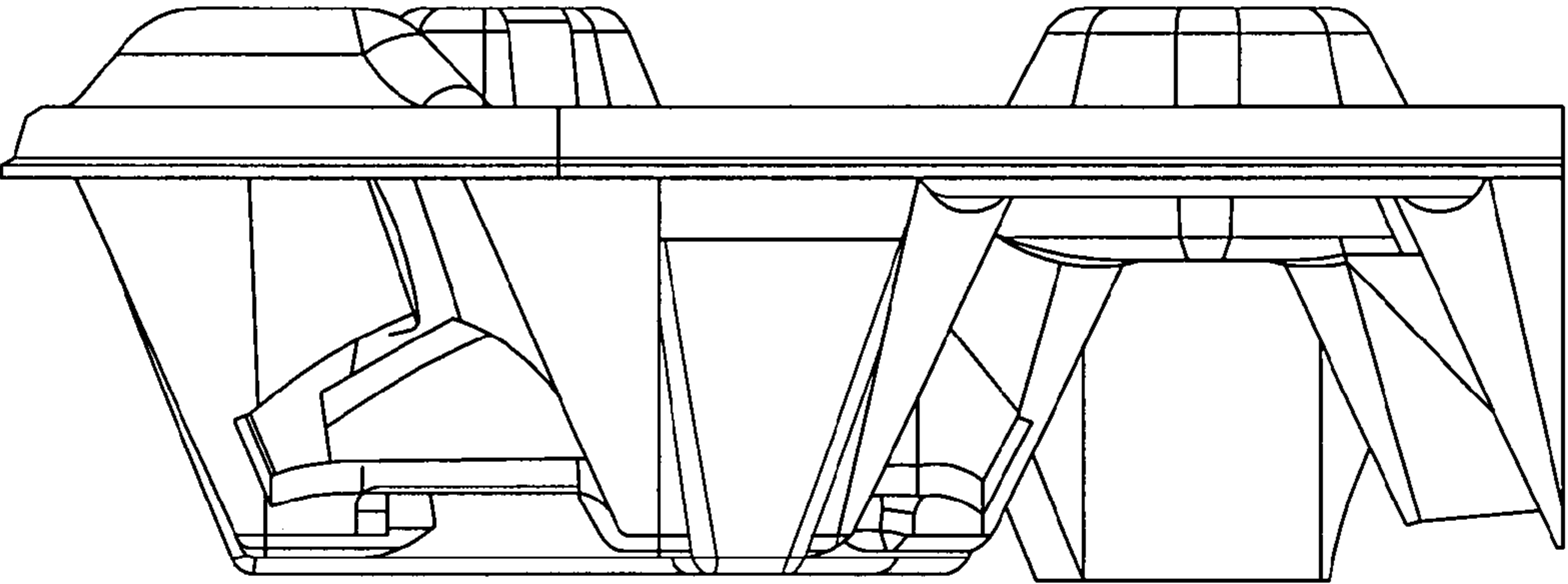
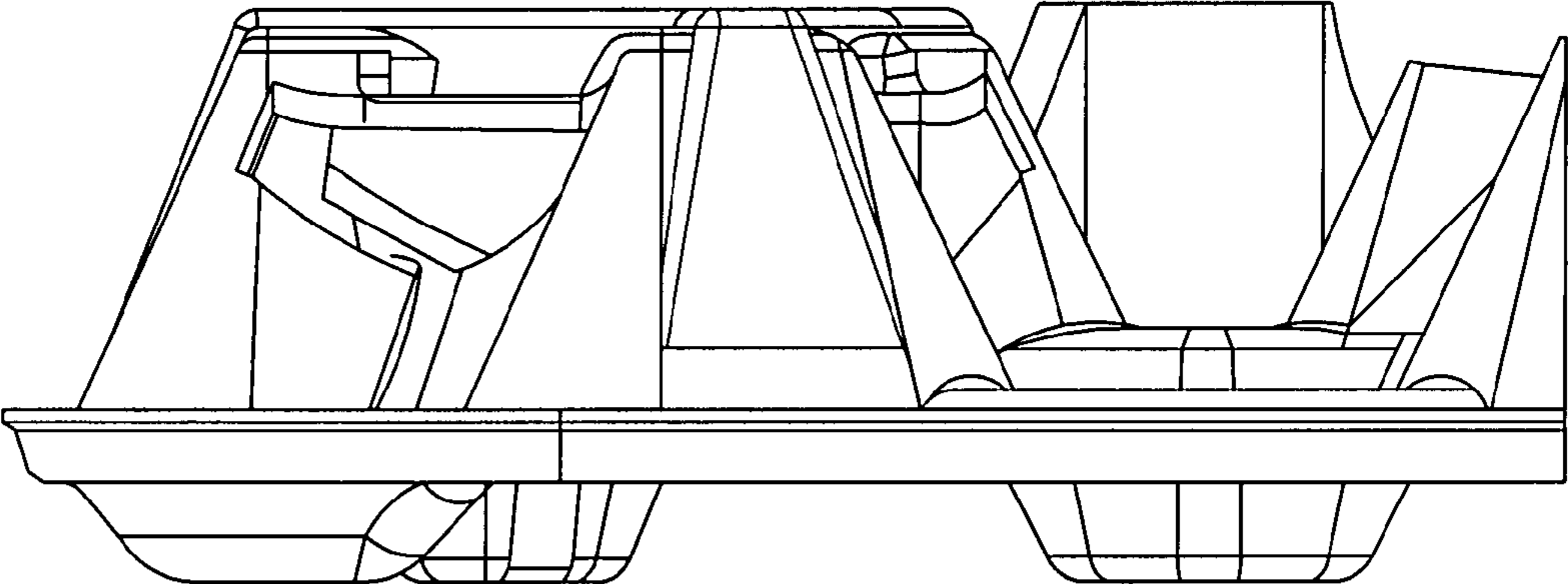


FIG. 3

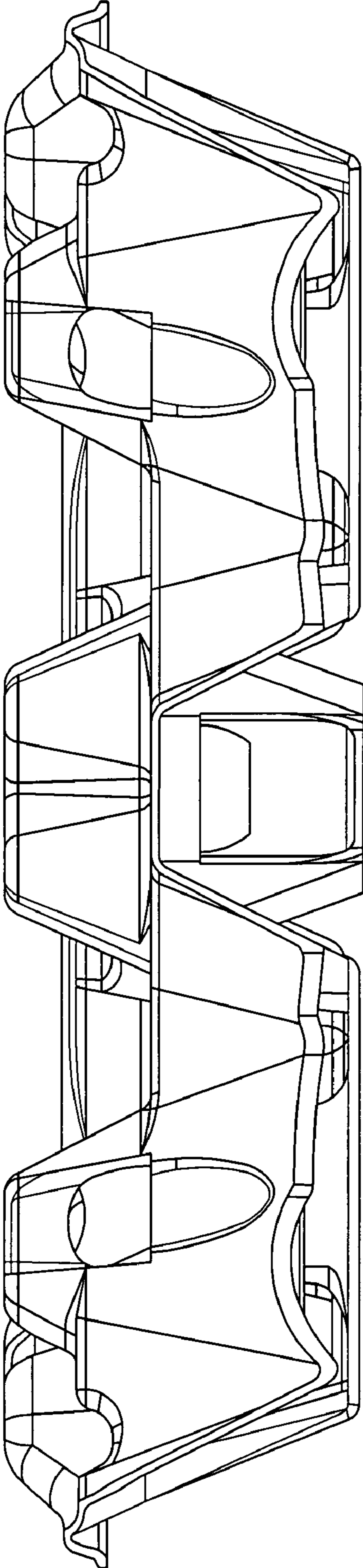


FIG. 5

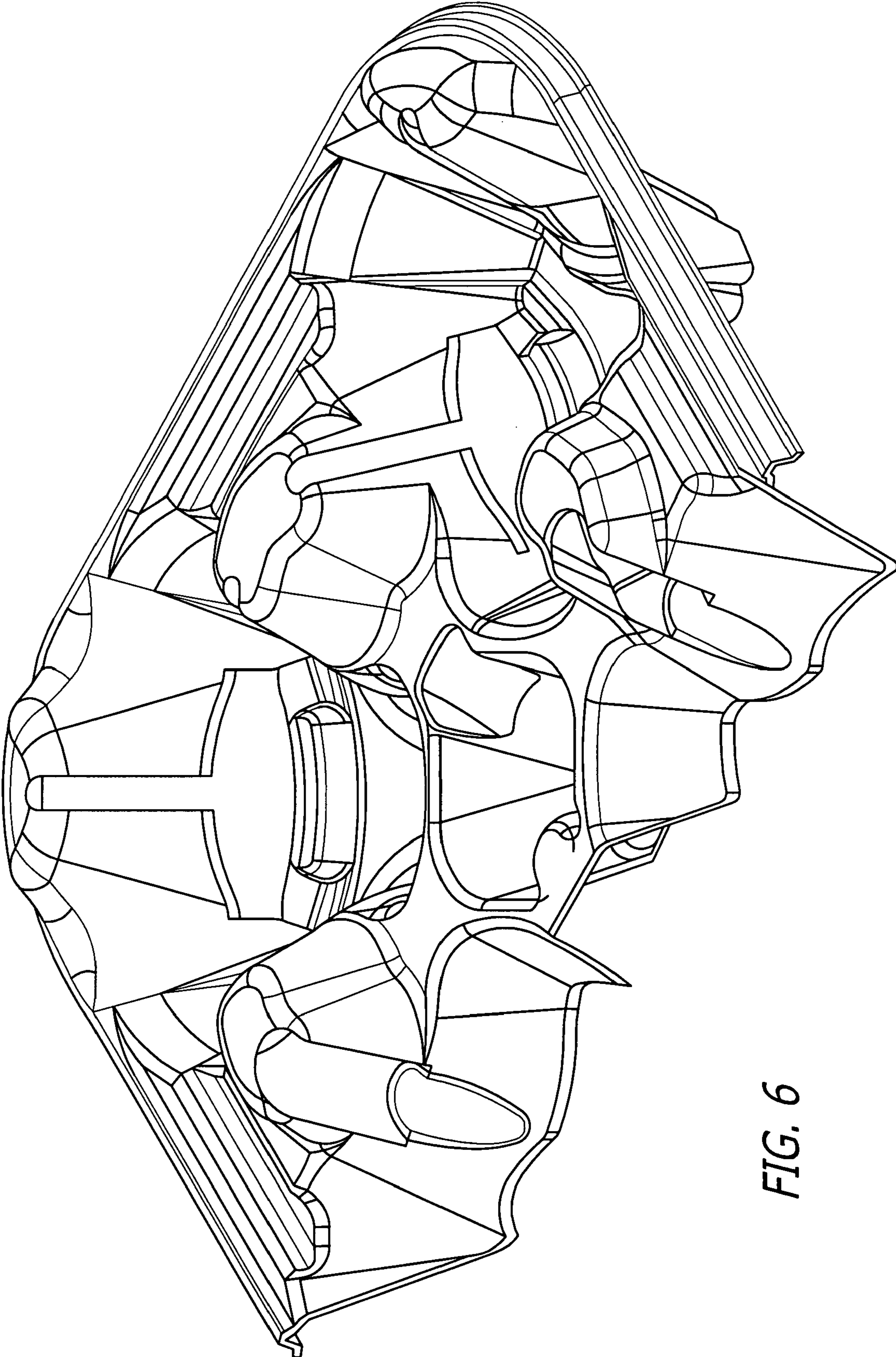


FIG. 6