

US00D554532S

(12) **United States Design Patent**  
**Weggelaar**

(10) **Patent No.:** **US D554,532 S**

(45) **Date of Patent:** **\*\* Nov. 6, 2007**

(54) **BOTTLE**

(75) Inventor: **Bjorn Weggelaar**, Haarlem (NL)

(73) Assignee: **Sara Lee Household and Body Care**  
**Nederland B.V.**, Veenendaal (NL)

(\*\*) Term: **14 Years**

(21) Appl. No.: **29/252,962**

(22) Filed: **Jan. 31, 2006**

(30) **Foreign Application Priority Data**

Aug. 12, 2005 (EM) ..... 000385752

(51) **LOC (8) Cl.** ..... **09-01**

(52) **U.S. Cl.** ..... **D9/741; D9/452**

(58) **Field of Classification Search** ..... D9/684,  
D9/738-747, 516, 530, 541-543, 560, 574-575,  
D9/452-453; D4/114, 116  
See application file for complete search history.

(56) **References Cited**

**U.S. PATENT DOCUMENTS**

D105,290 S *	7/1937	Lloyd	.....	D9/739
D192,980 S *	6/1962	Mangini	.....	D9/741
D237,583 S *	11/1975	Kemp	.....	D9/684
D289,855 S *	5/1987	Carlson	.....	D9/741
D290,225 S *	6/1987	Carlson	.....	D9/747
D292,266 S *	10/1987	Vanlanen et al.	.....	D9/739
D297,166 S *	8/1988	Hollar et al.	.....	D24/226

D298,991 S *	12/1988	Stanley	.....	D6/542
D301,546 S *	6/1989	McCallister	.....	D9/747
D307,111 S *	4/1990	Green	.....	D9/741
D308,163 S *	5/1990	Hollar et al.	.....	D9/739
D317,717 S *	6/1991	Carol	.....	D9/739
D326,606 S *	6/1992	Green	.....	D9/741
D327,639 S *	7/1992	Burnsed	.....	D9/740
D356,494 S *	3/1995	Eke et al.	.....	D9/684
D399,131 S *	10/1998	Eichler	.....	D9/684
D413,748 S *	9/1999	Lagrotta	.....	D6/542
D420,576 S *	2/2000	Abraskin	.....	D9/747

\* cited by examiner

*Primary Examiner*—Carol Rademaker

(74) *Attorney, Agent, or Firm*—Kilpatrick Stockton LLP

(57) **CLAIM**

The ornamental design for a bottle, as shown.

**DESCRIPTION**

FIG. 1 is a top, front, left side perspective view of a bottle comprising the new invention;

FIG. 2 is a front elevational view thereof;

FIG. 3 is a rear elevational view thereof;

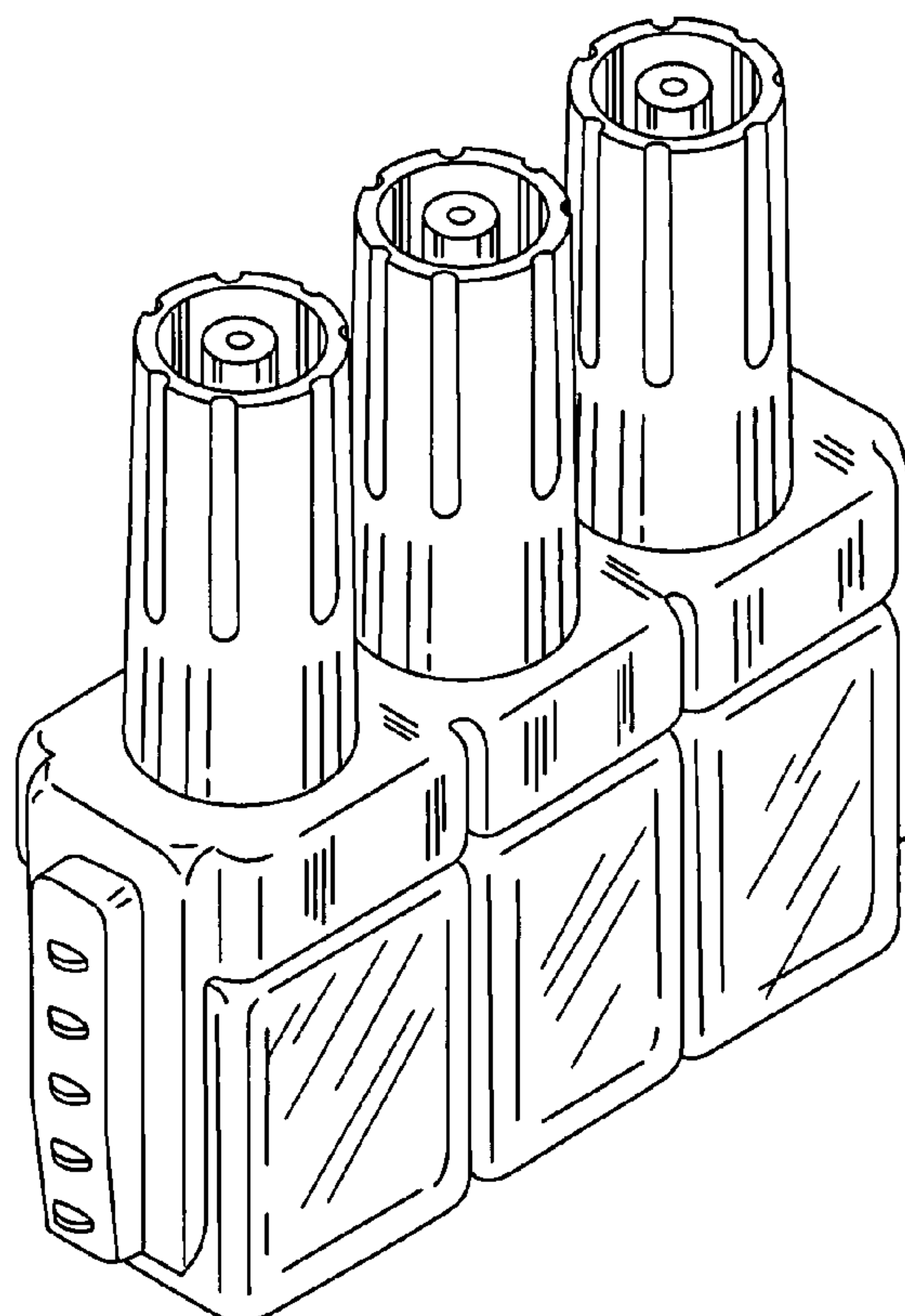
FIG. 4 is a left side front elevational view thereof;

FIG. 5 is a right side front elevational view thereof;

FIG. 6 is a top plan view thereof; and,

FIG. 7 is a bottom plan view thereof.

**1 Claim, 3 Drawing Sheets**



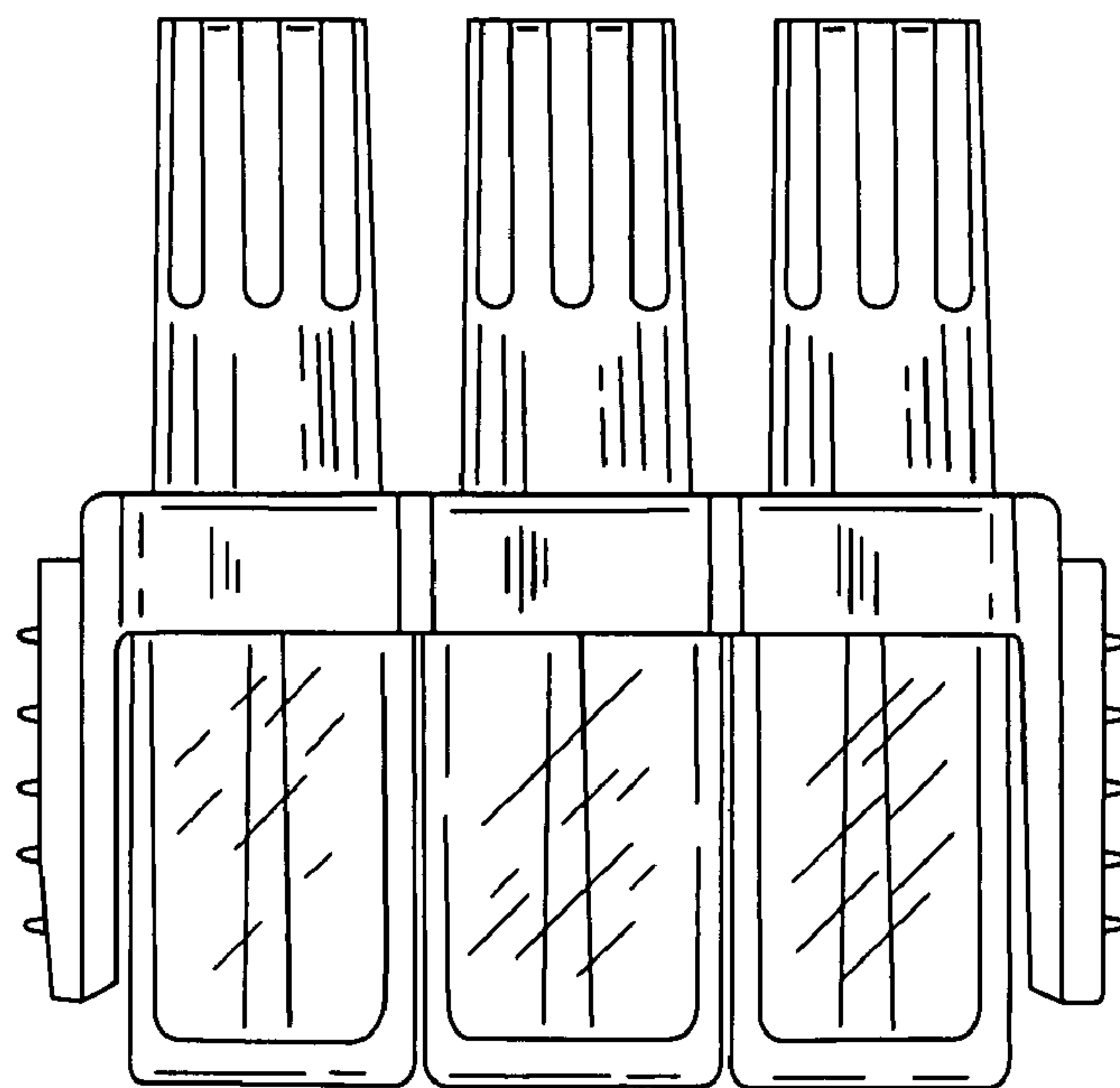
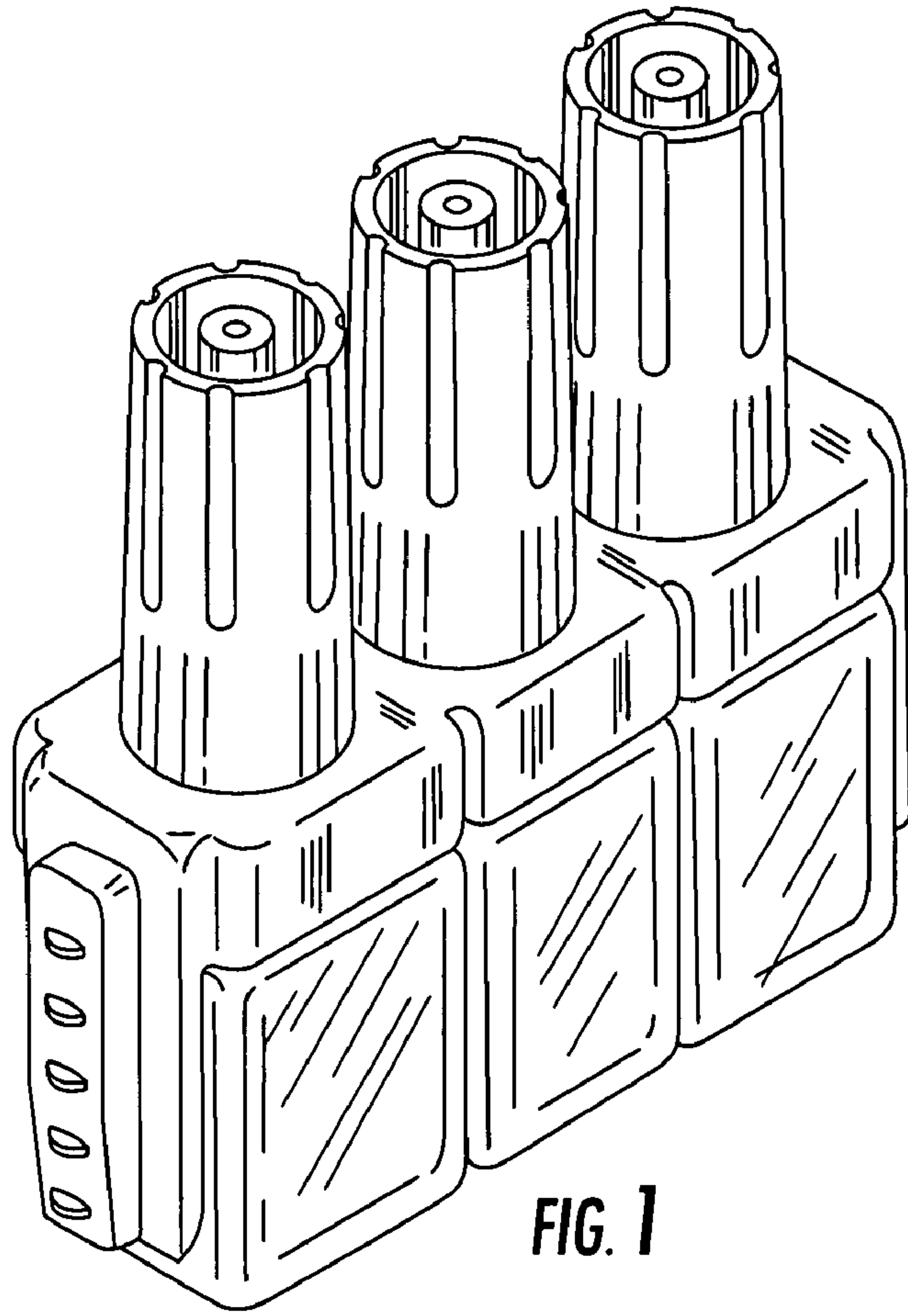
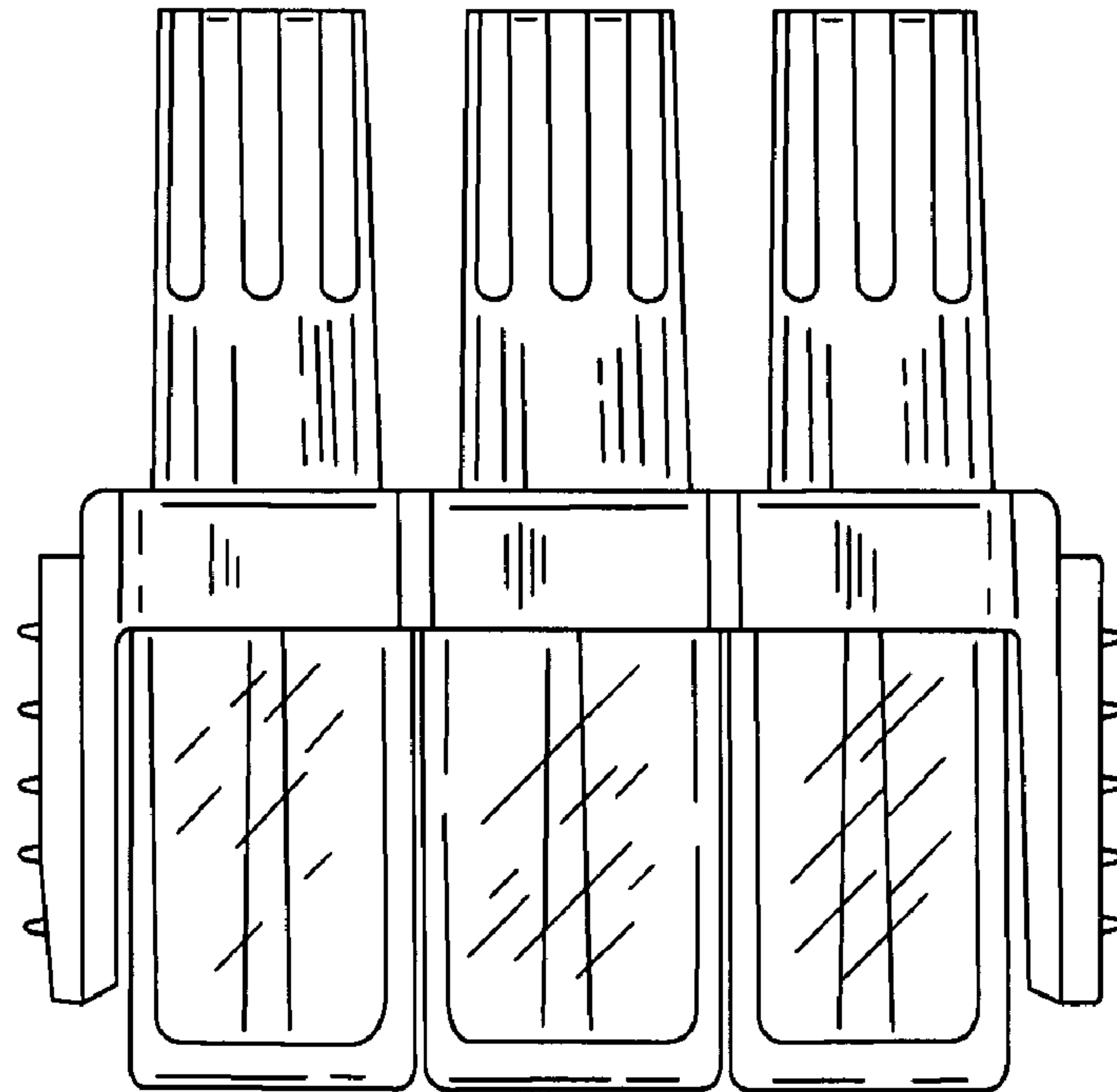
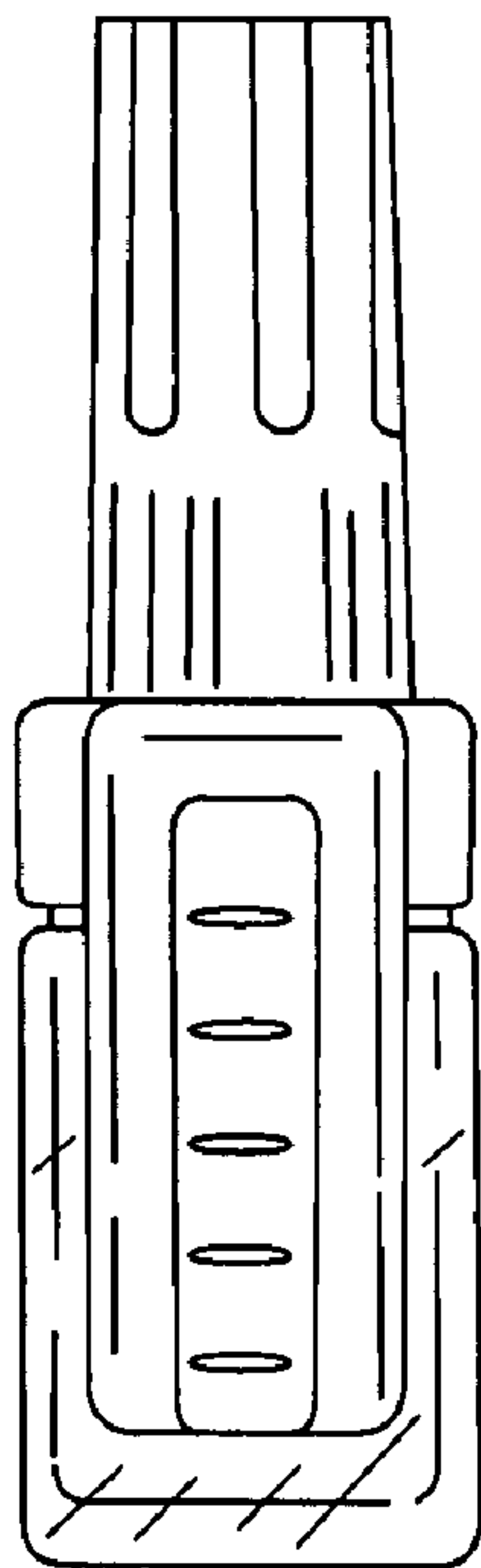


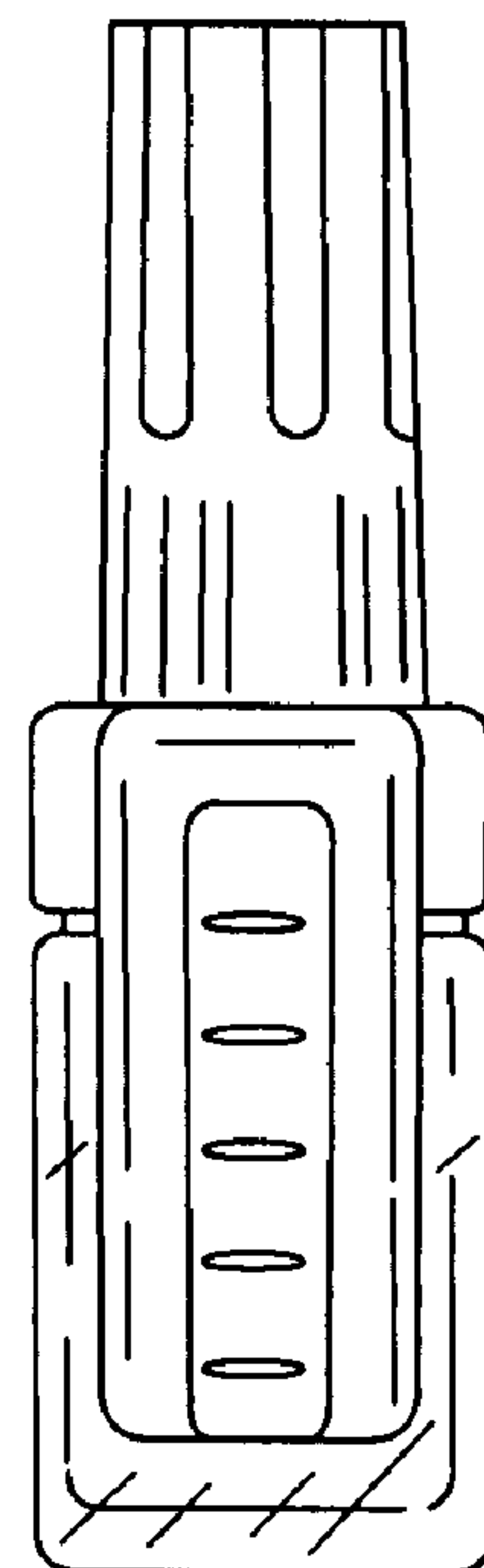
FIG. 2



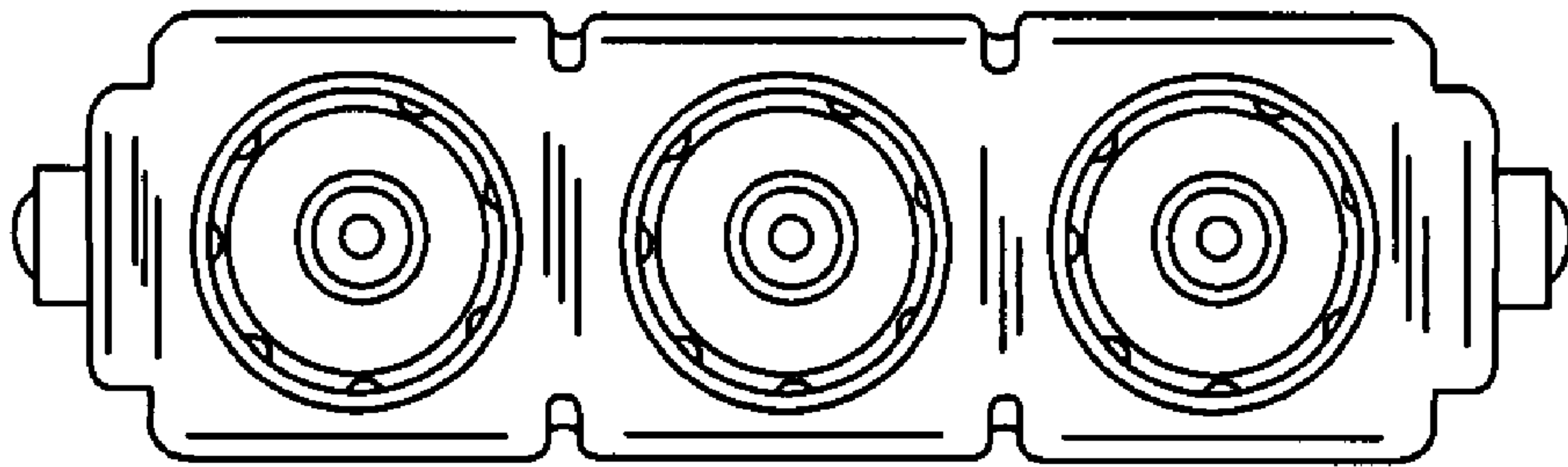
**FIG. 3**



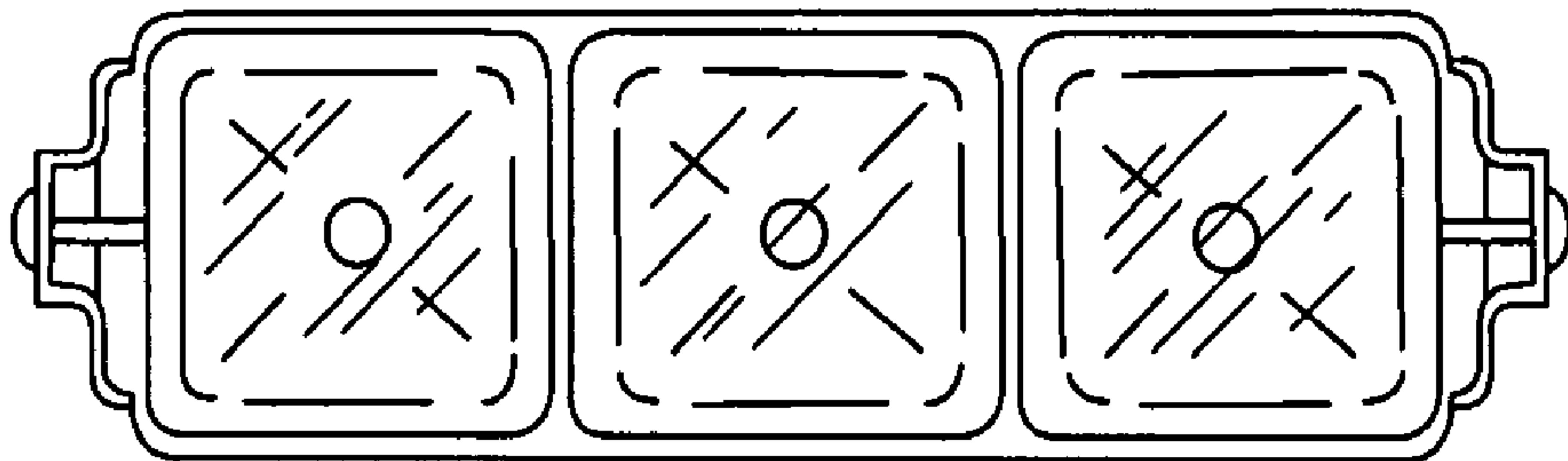
**FIG. 4**



**FIG. 5**



**FIG. 6**



**FIG. 7**