



US00D554531S

(12) **United States Design Patent**  
**Lovett**

(10) **Patent No.:** **US D554,531 S**

(45) **Date of Patent:** **\*\* Nov. 6, 2007**

(54) **CONTAINER**

(75) **Inventor:** **James Kyle Lovett**, Atlanta, GA (US)

(73) **Assignee:** **InnoWare Plastic, Inc.**, Atlanta, GA (US)

(\*\*) **Term:** **14 Years**

(21) **Appl. No.:** **29/264,072**

(22) **Filed:** **Aug. 3, 2006**

(51) **LOC (8) Cl.** ..... **09-03**

(52) **U.S. Cl.** ..... **D9/737; D9/761; D9/425**

(58) **Field of Classification Search** ..... D9/737,  
D9/761, 420, 422-426, 428, 429, 414-418;  
D7/554.2, 540, 602, 614, 629, 553.1-553.8;  
220/555-557, 500, 506, 528, 529, 23.83;  
206/223, 541, 557, 564; 426/106, 119, 120,  
426/127

See application file for complete search history.

(56) **References Cited**

**U.S. PATENT DOCUMENTS**

D254,776 S	4/1980	Edwards	
D268,645 S *	4/1983	Phillips et al.	D9/761
D270,708 S *	9/1983	Dart	D9/414
D280,605 S	9/1985	Karlik	
D315,100 S	3/1991	Sheehan	
D355,814 S	2/1995	VanValkenburg et al.	
D369,970 S *	5/1996	Cain	D9/423
D373,931 S	9/1996	Whitehead	
D375,259 S	11/1996	Whitehead	
D384,582 S *	10/1997	Cain	D9/425
D400,404 S	11/1998	Indekeu	
D404,257 S	1/1999	Indekeu	
D404,258 S	1/1999	Indekeu	
D404,614 S	1/1999	Indekeu	
D408,733 S *	4/1999	McCann	D9/423

5,947,321 A	9/1999	Vadney	
D418,371 S	1/2000	Whitehead	
D448,991 S	10/2001	Zettle et al.	
D468,637 S *	1/2003	Chou	D9/425
D475,620 S	6/2003	Chen et al.	
6,572,909 B1	6/2003	Bagwell et al.	
D489,254 S	5/2004	Kocis et al.	
D527,956 S	9/2006	Doliwa	

**OTHER PUBLICATIONS**

Duni Corporation, Creative Carryouts 2004 Product Brouchure 12 pages.

\* cited by examiner

*Primary Examiner*—Stella Reid

*Assistant Examiner*—Mark Goodwin

(74) *Attorney, Agent, or Firm*—Baker Donelson

(57) **CLAIM**

The ornamental design for a container, as shown and described.

**DESCRIPTION**

FIG. 1 is a perspective view of a container having a base and a lid showing my new design in assembled condition;

FIG. 2 is a top view thereof;

FIG. 3 is a bottom view thereof;

FIG. 4 is a right side view thereof;

FIG. 5 is a left side view thereof;

FIG. 6 is a front view thereof;

FIG. 7 is a rear view thereof;

FIG. 8 is an interior view of the lid of my new container; and,

FIG. 9 is an interior view of the base of my new container.

**1 Claim, 4 Drawing Sheets**

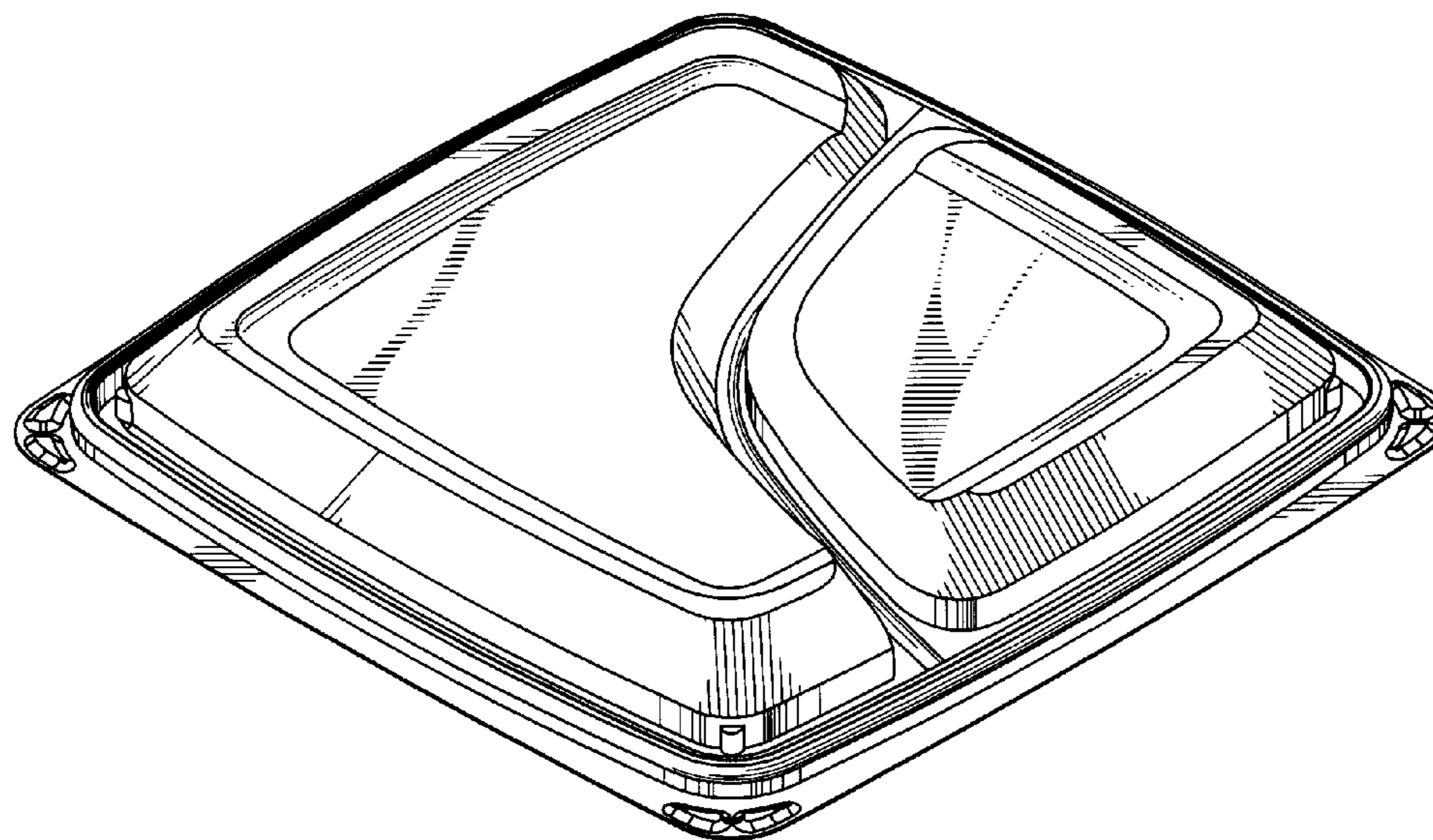


Fig. 1

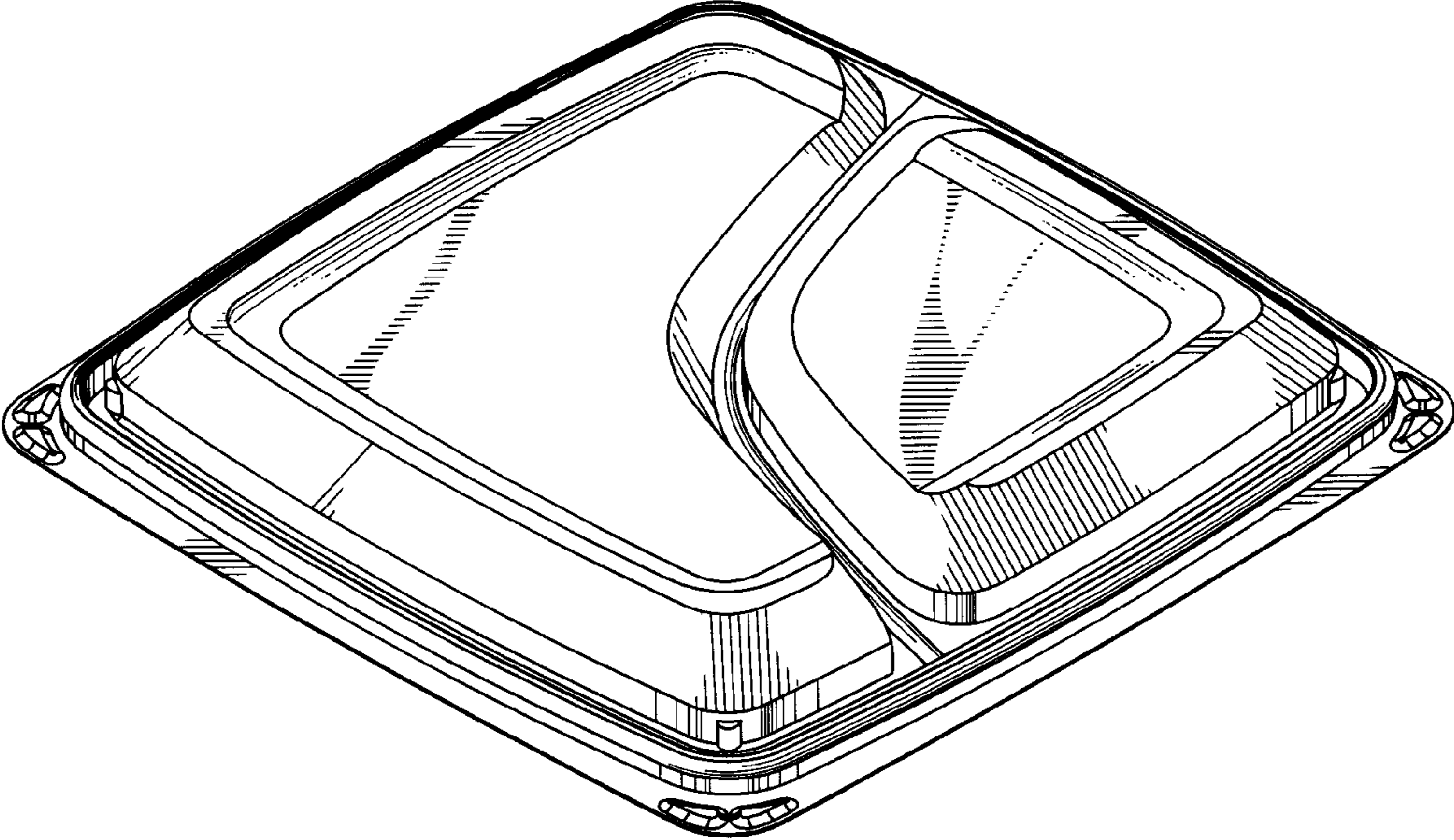


Fig. 3

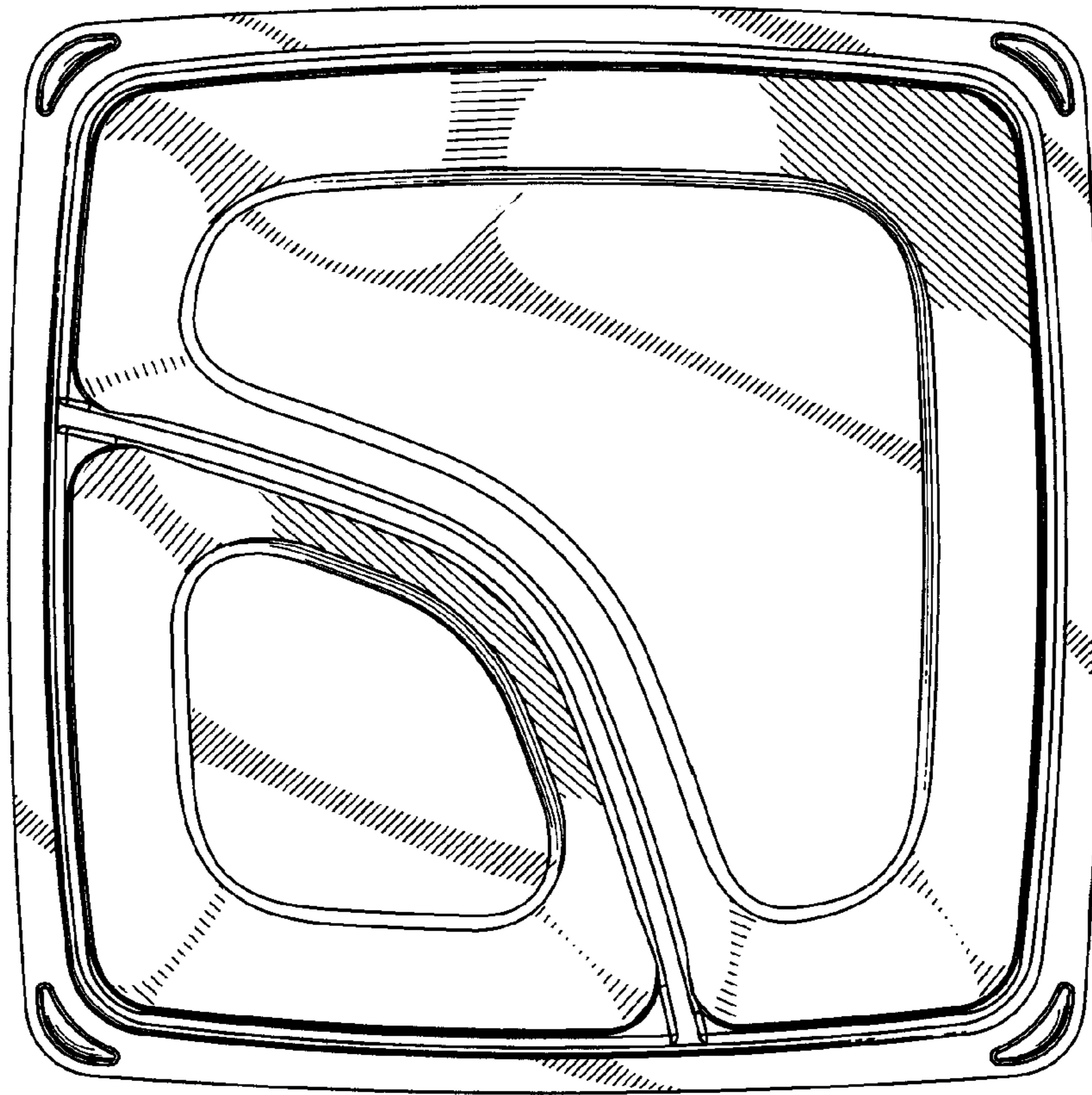


Fig. 2

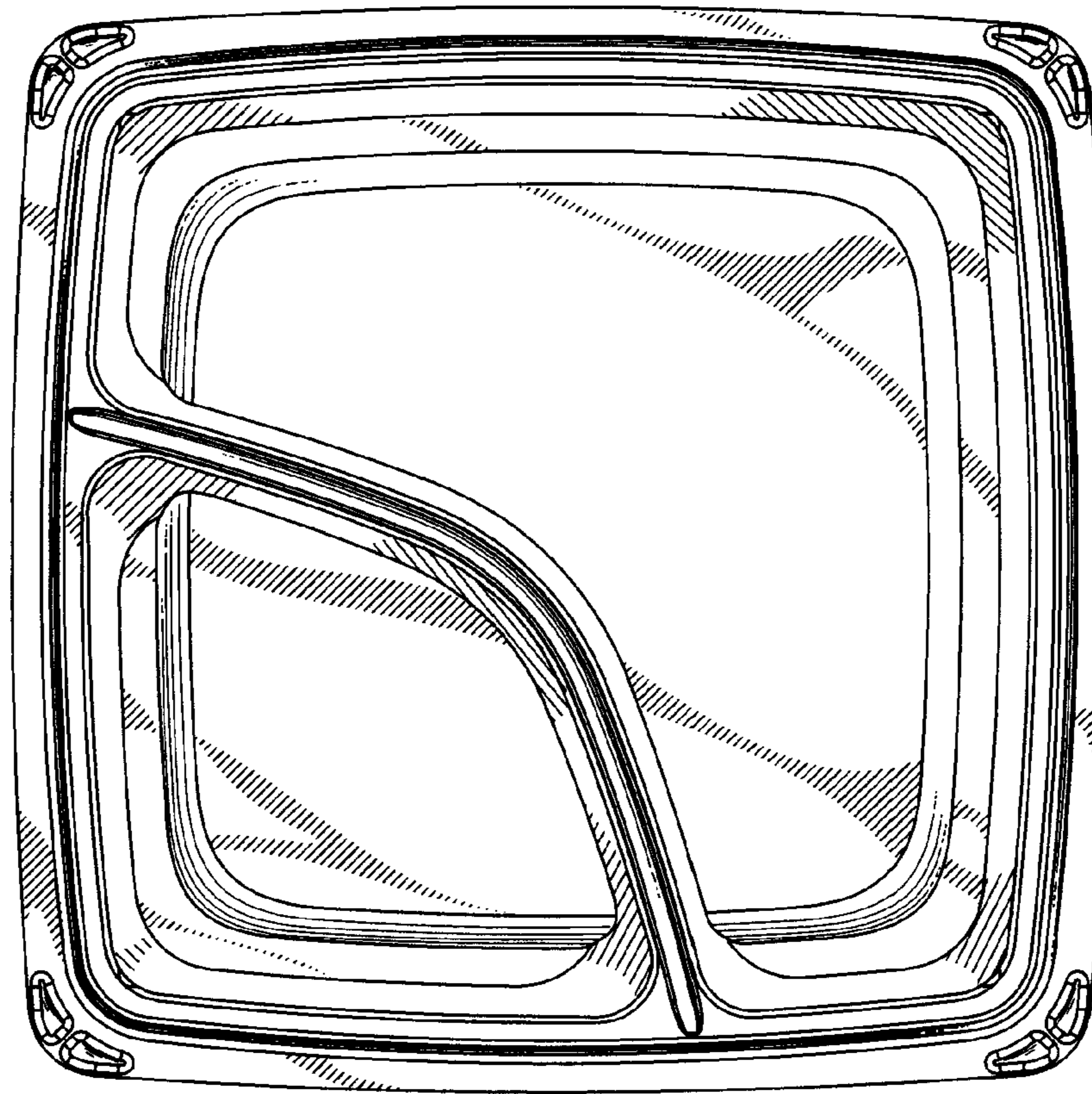


Fig. 4



Fig. 5

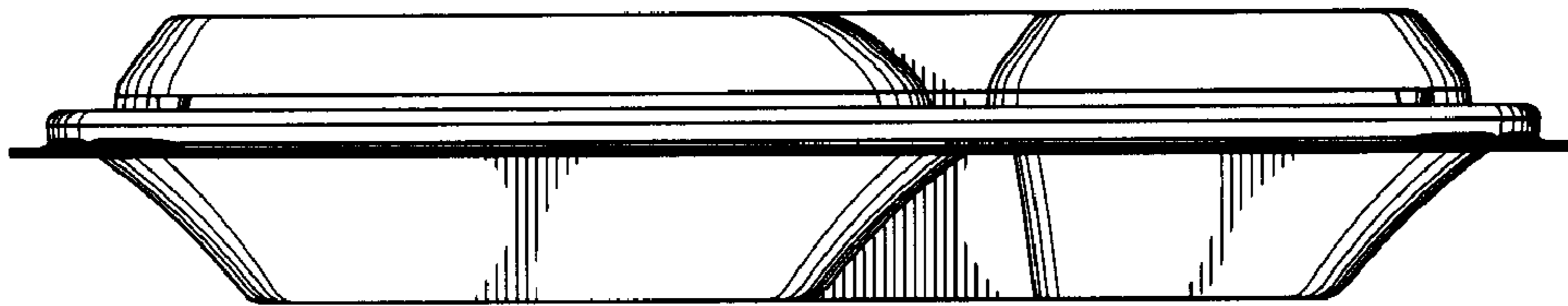


Fig. 6

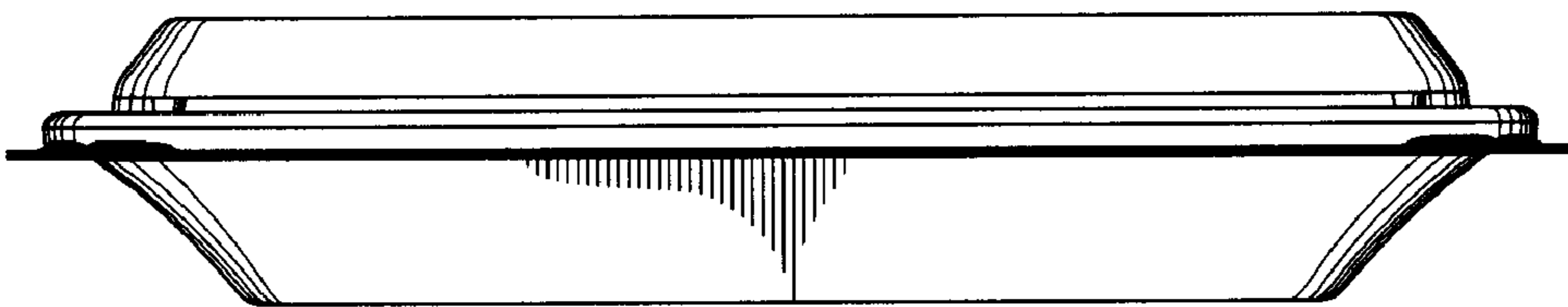


Fig. 7

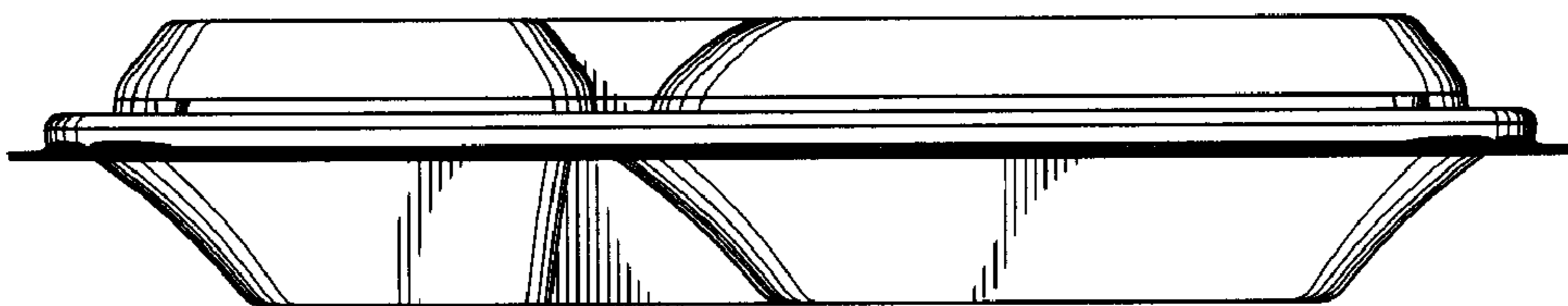


Fig. 9

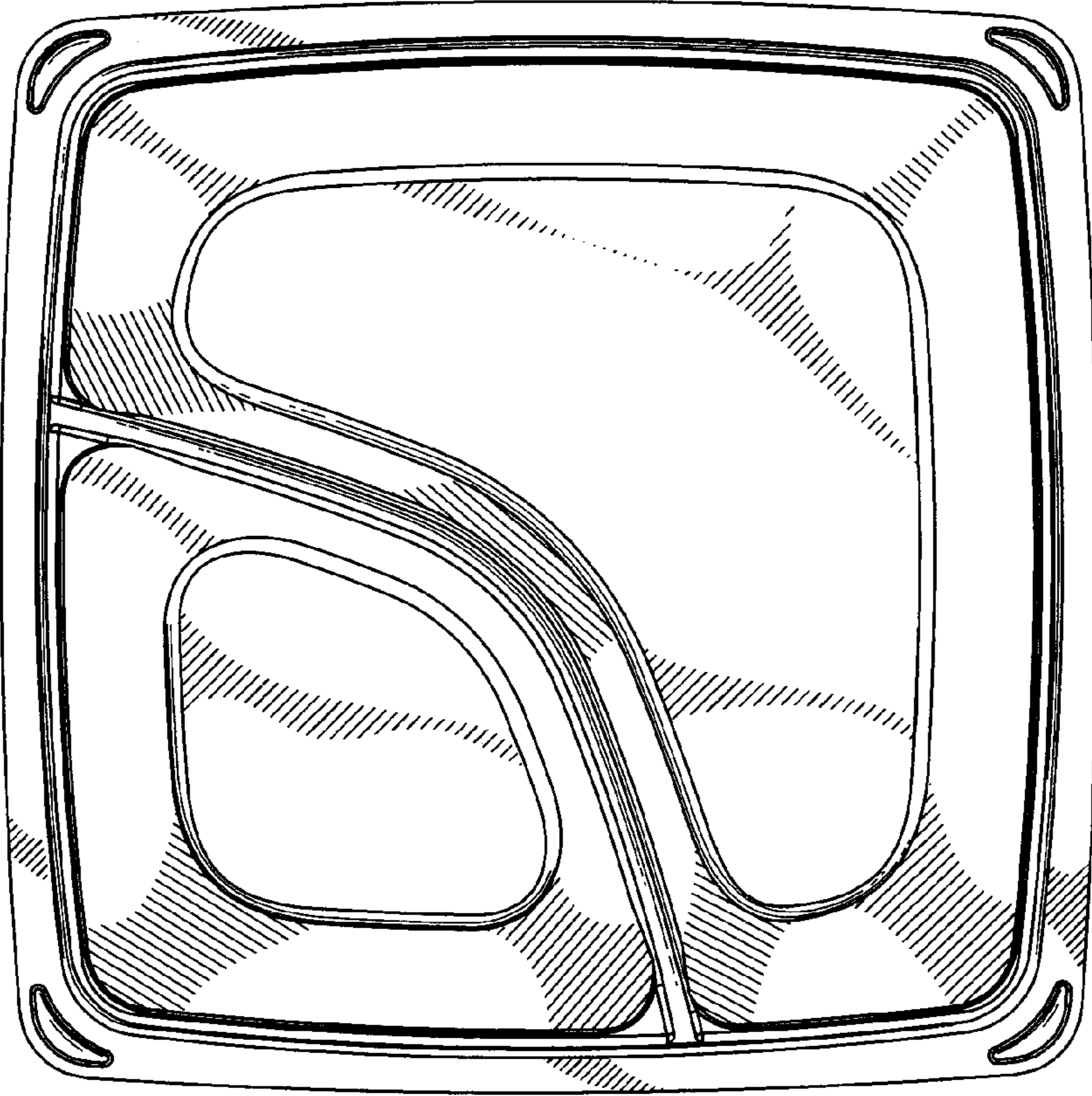


Fig. 8

