



US00D554527S

(12) **United States Design Patent** (10) **Patent No.:** **US D554,527 S**
Oliver (45) **Date of Patent:** **** Nov. 6, 2007**

(54) **CONTAINER**

(75) Inventor: **Martin Oliver**, Runcorn (GB)

(73) Assignee: **Norton Healthcare Limited**, London (GB)

(**) Term: **14 Years**

(21) Appl. No.: **29/255,124**

(22) Filed: **Mar. 3, 2006**

(30) **Foreign Application Priority Data**

Sep. 6, 2005 (EM) 000397658-0001

(51) **LOC (8) Cl.** **09-01**

(52) **U.S. Cl.** **D9/696**

(58) **Field of Classification Search** D9/695-697,
D9/707, 709, 417, 710-712, 500, 505, 545;
206/532, 528, 828, 484, 277; D24/121, 108,
D24/224, 104; 222/92, 107, 541.5, 541.4;
215/382, 246

See application file for complete search history.

(56) **References Cited**

U.S. PATENT DOCUMENTS

D296,869 S * 7/1988 Bauwens D9/696
D324,333 S * 3/1992 Griffin et al. D9/529

D327,008 S * 6/1992 Friedman D9/696
D347,995 S * 6/1994 Schurig D9/696
D362,390 S * 9/1995 Weiler D9/696
D369,212 S * 4/1996 Snell D24/117
D375,352 S * 11/1996 Bologna D24/115
D392,184 S * 3/1998 Weiler D9/696
D436,526 S * 1/2001 Ko D9/696
D483,257 S * 12/2003 Lim D9/696
D515,936 S * 2/2006 Ko D9/696

* cited by examiner

Primary Examiner—Caron D. Veynar

Assistant Examiner—Abraham Bahta

(74) *Attorney, Agent, or Firm*—Christensen O'Connor Johnson Kindness PLLC

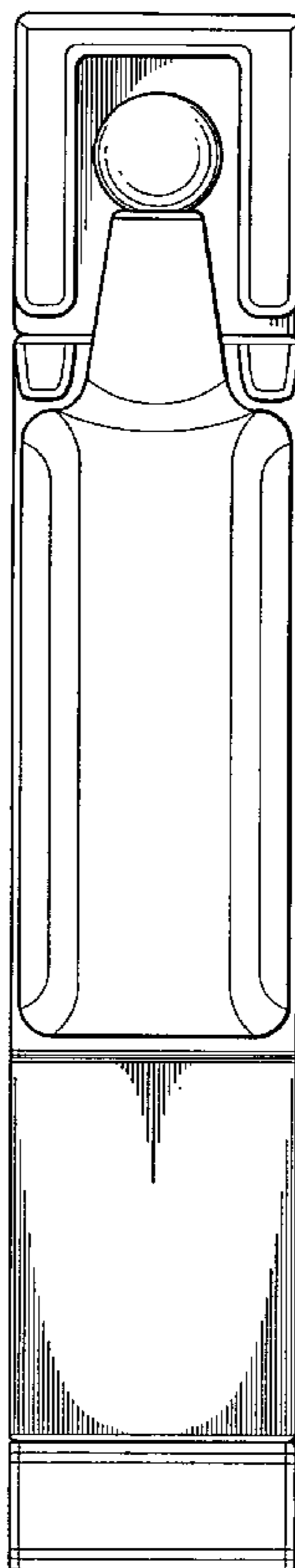
(57) **CLAIM**

The ornamental design for a container, as shown.

DESCRIPTION

FIG. 1 is a front planar view of a container constructed in accordance with one embodiment of the present disclosure; FIG. 2 is a side planar view of the container of FIG. 1; FIG. 3 is a top planar view of the container of FIG. 1; and, FIG. 4 is a bottom planar view of the container of FIG. 1.

1 Claim, 1 Drawing Sheet



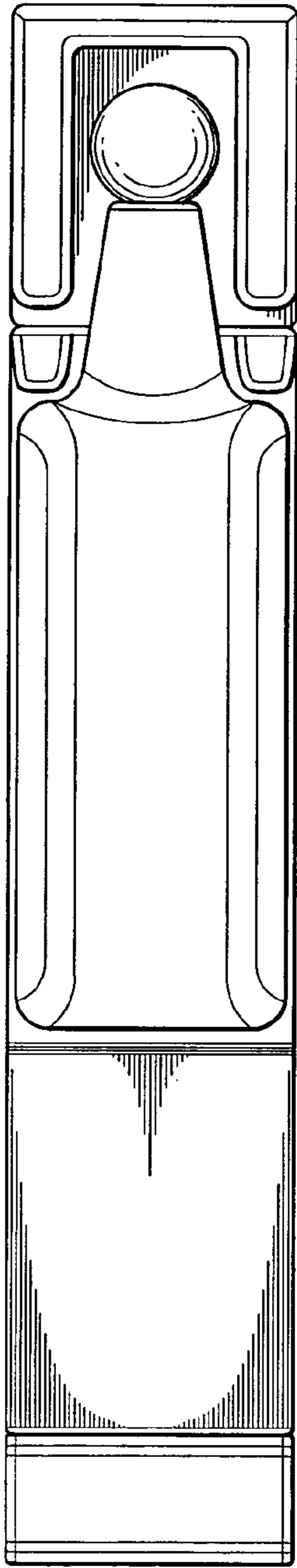


Fig. 1.

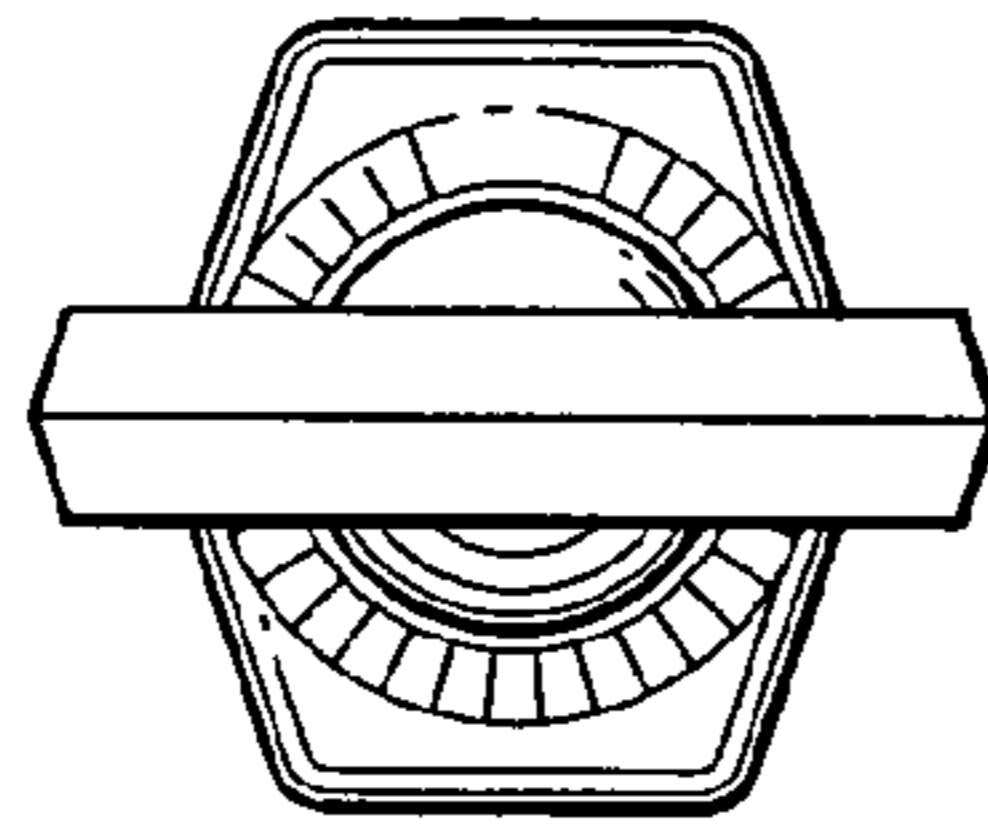


Fig. 3.

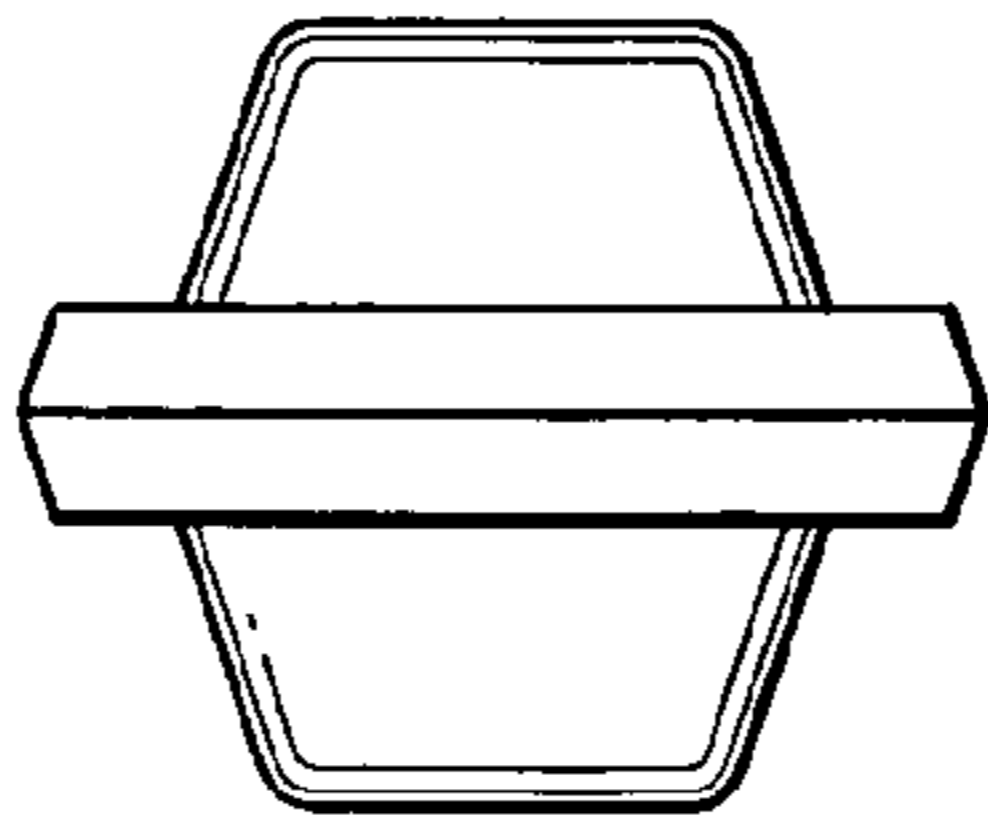


Fig. 4.

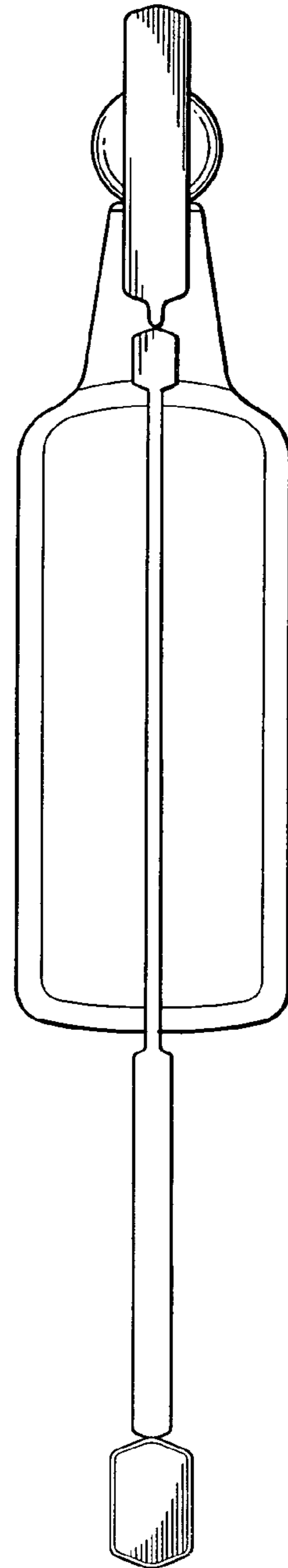


Fig. 2.