



US00D554525S

(12) **United States Design Patent** (10) **Patent No.:** **US D554,525 S**
Py et al. (45) **Date of Patent:** **** Nov. 6, 2007**

- (54) **DISPENSING CONTAINER** 4,023,607 A 5/1977 Jensen et al.
- (75) Inventors: **Daniel Py**, Larchmont, NY (US); 4,050,459 A 9/1977 Sanchez
- Julian V. Chan**, Spring Valley, NY 4,102,476 A 7/1978 Loeffler
- (US); **Stephanie Ferreira**, Bridgeport, 4,141,474 A 2/1979 Nilson
- CT (US); **Giovanni Rodriguez**, 4,185,628 A 1/1980 Kopfer
- Stamford, CT (US); **Luz Gladys** 4,189,065 A 2/1980 Herold
- Valencia**, Stamford, CT (US) 4,233,262 A 11/1980 Curto
- 4,239,132 A 12/1980 Mueller et al.
- 4,240,465 A 12/1980 Rader
- (73) Assignee: **Medical Instill Technologies, Inc.**, 4,264,018 A 4/1981 Warren
- New Milford, CT (US) 4,367,739 A 1/1983 LeVeen et al.

(Continued)

(**) Term: **14 Years**

FOREIGN PATENT DOCUMENTS

(21) Appl. No.: **29/237,484**

EP 0802827 B1 12/1998

(22) Filed: **Sep. 1, 2005**

(Continued)

Related U.S. Application Data

(62) Division of application No. 29/198,293, filed on Jan. 27, 2004, now Pat. No. Des. 512,646.

Primary Examiner—Prabhakar Deshmukh

Assistant Examiner—Rashida C. McCoy

(74) *Attorney, Agent, or Firm*—McCarter & English, LLP

(51) **LOC (8) Cl.** **09-01**

(52) **U.S. Cl.** **D9/688; D9/686; D9/688;**
D9/690

(58) **Field of Classification Search** D9/686,
D9/452, 502–504, 522–529, 549, 682, 688,
D9/690, 692; D28/73, 76, 82
See application file for complete search history.

(57) **CLAIM**

The ornamental design for a dispensing container, as shown and described.

(56) **References Cited**

U.S. PATENT DOCUMENTS

- D44,432 S 8/1913 Bogert
- 1,471,091 A 10/1923 Bessesen
- 2,128,035 A 8/1938 Boetel
- 3,412,910 A 11/1968 Hahn
- 3,648,903 A 3/1972 Marchant
- D223,691 S 5/1972 Newman
- 3,662,753 A 5/1972 Tassell
- 3,669,323 A 6/1972 Harker et al.
- 3,699,961 A 10/1972 Szpur
- 3,756,729 A 9/1973 Tufts
- 3,993,069 A 11/1976 Buckles et al.
- 4,002,516 A 1/1977 Gaborieau et al.

DESCRIPTION

FIG. 1 is a side elevational view of a dispensing container showing my new design;

FIG. 2 is a side elevational view thereof rotated 180 degrees;

FIG. 3 is a side elevational view thereof rotated 90 degrees;

FIG. 4 is a side elevational view thereof rotated 270 degrees;

FIG. 5 is a side and top perspective view thereof;

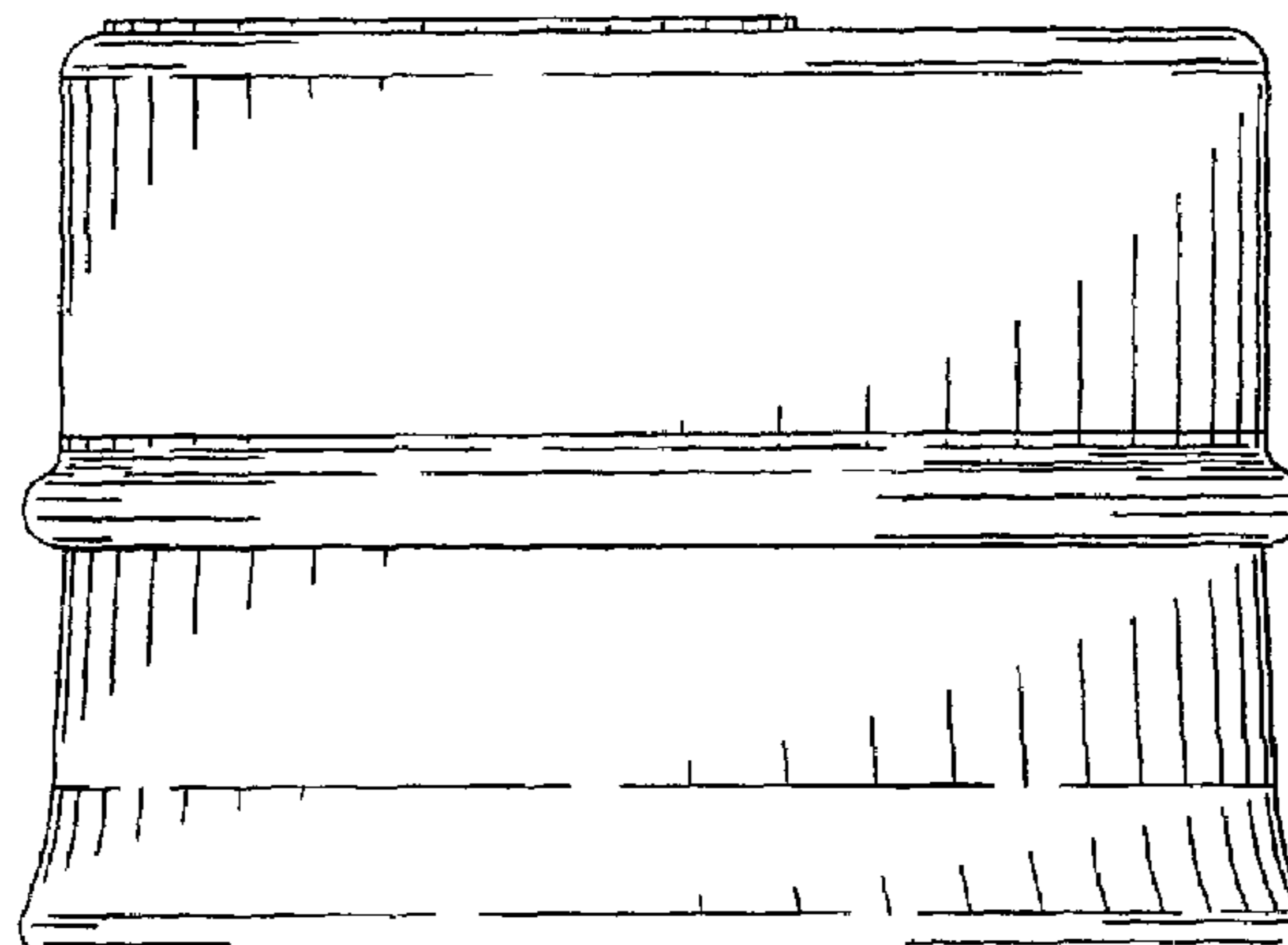
FIG. 6 is a side and bottom perspective view thereof;

FIG. 7 is a top plan view thereof; and,

FIG. 8 is a bottom plan view thereof.

The broken lines are included for the purpose of illustrating boundaries of the invention and form no part of the claimed design.

1 Claim, 8 Drawing Sheets



US D554,525 S

U.S. PATENT DOCUMENTS					
4,420,100 A	12/1983	Mueller	5,641,004 A	6/1997	Py
4,458,830 A	7/1984	Werdning	5,664,704 A	9/1997	Meadows et al.
4,475,905 A	10/1984	Himmelstrup	5,676,267 A	10/1997	Slat et al.
4,479,578 A	10/1984	Brignola et al.	5,687,882 A	11/1997	Mueller
4,479,989 A	10/1984	Mahal	5,692,651 A	12/1997	Fuchs
4,482,585 A	11/1984	Ohodaira et al.	5,702,019 A	12/1997	Grimard
4,493,348 A	1/1985	Lemmons	5,718,334 A	2/1998	Demel
4,501,781 A	2/1985	Kushida et al.	D392,888 S *	3/1998	Bakic D9/503
4,513,891 A	4/1985	Hain et al.	5,727,892 A	3/1998	Baudin
4,526,294 A	7/1985	Hirschmann et al.	5,728,075 A	3/1998	Levander
4,579,757 A	4/1986	Su et al.	5,730,322 A	3/1998	Iba et al.
4,624,594 A	11/1986	Sasaki et al.	5,743,441 A	4/1998	Baudin et al.
4,636,412 A	1/1987	Field	5,743,889 A	4/1998	Sams
4,643,723 A	2/1987	Smit	5,772,347 A	6/1998	Gueret
4,699,300 A	10/1987	Blake	5,780,130 A	7/1998	Hansen et al.
4,700,838 A	10/1987	Falciani et al.	5,785,683 A	7/1998	Szapiro et al.
4,737,148 A	4/1988	Blake	5,799,837 A	9/1998	Firestone et al.
4,739,906 A	4/1988	LoTurco	5,803,311 A	9/1998	Fuchs
4,776,717 A	10/1988	Iizuka et al.	5,804,236 A	9/1998	Frisk
4,784,652 A	11/1988	Wikström	5,823,397 A	10/1998	Gil
4,842,165 A	6/1989	Van Coney	5,829,901 A	11/1998	Brown et al.
4,854,481 A	8/1989	Bohl et al.	D402,894 S *	12/1998	Elia D9/504
4,854,486 A	8/1989	Daley et al.	5,855,302 A	1/1999	Fisscher
4,865,591 A	9/1989	Sams	5,876,372 A	3/1999	Grabenkort et al.
4,895,279 A	1/1990	Schultz	5,879,095 A	3/1999	Gueret
4,903,741 A	2/1990	Ibanez	5,879,336 A	3/1999	Brinon
4,910,147 A	3/1990	Bacehowski et al.	5,899,624 A	5/1999	Thompson
4,936,833 A	6/1990	Sams	5,931,386 A	8/1999	Jouillat
4,949,877 A	8/1990	Hanna et al.	5,934,500 A	8/1999	Cogger et al.
4,962,868 A	10/1990	Borchard	RE36,410 E	11/1999	Meshberg
4,973,318 A	11/1990	Holm et al.	6,004,298 A	12/1999	Levander
4,978,036 A	12/1990	Burd	6,050,444 A	4/2000	Sugg
5,033,647 A	7/1991	Smith et al.	6,053,370 A	4/2000	Ludbrook et al.
5,083,416 A	1/1992	Schneider et al.	6,062,430 A	5/2000	Fuchs
5,102,705 A	4/1992	Yammoto et al.	6,062,437 A	5/2000	Mascitelli
5,108,007 A	4/1992	Smith et al.	6,083,201 A	7/2000	Skinkle
5,178,300 A	1/1993	Haviv et al.	6,083,450 A	7/2000	Safian
5,197,638 A	3/1993	Wood	D434,324 S	11/2000	Gobe
5,226,568 A	7/1993	Newton et al.	6,145,707 A	11/2000	Baudin
5,226,895 A	7/1993	Harris	6,170,705 B1	1/2001	Schneider et al.
5,238,153 A	8/1993	Castillo et al.	6,186,686 B1	2/2001	Neuner et al.
5,244,465 A	9/1993	Michel	6,200,047 B1	3/2001	Holloway
5,253,785 A	10/1993	Haber et al.	6,202,901 B1	3/2001	Gerber et al.
5,290,260 A	3/1994	Stines	6,234,363 B1	5/2001	Stradella
D345,697 S *	4/1994	Dinand D9/520	6,254,579 B1	7/2001	Cogger et al.
5,318,204 A	6/1994	Davis et al.	D448,299 S *	9/2001	Negre D9/502
5,320,256 A	6/1994	Wood	6,325,253 B1	12/2001	Robinson
5,332,121 A	7/1994	Schmidt et al.	6,338,442 B1	1/2002	De Laforcade
5,339,972 A	8/1994	Crosnier et al.	6,343,713 B1	2/2002	Abplanalp
5,360,145 A	11/1994	Gueret	6,351,924 B1	3/2002	Gustafsson et al.
5,416,303 A	5/1995	Grooms et al.	6,357,945 B1	3/2002	Losier et al.
5,419,465 A	5/1995	Schroeder	6,371,129 B1	4/2002	Le Bras-Brown et al.
5,425,465 A	6/1995	Healy	6,383,167 B2	5/2002	Kirchhofer et al.
5,429,254 A	7/1995	Christine	6,386,395 B1	5/2002	Lunghetti
5,489,026 A	2/1996	D'Aloia	6,419,412 B1	7/2002	Ostrowski et al.
5,489,027 A	2/1996	Goerigk	6,446,844 B1	9/2002	Gross
RE35,187 E	3/1996	Gortz	6,450,994 B1	9/2002	Boyles et al.
5,497,910 A	3/1996	Meadows et al.	6,502,725 B1	1/2003	Alexander
D373,084 S	8/1996	Choi	6,533,482 B1	3/2003	Byun
5,545,147 A	8/1996	Harris	D474,405 S *	5/2003	Togasawa D9/504
5,556,678 A	9/1996	Jupin et al.	D477,536 S *	7/2003	Kudo et al. D9/522
5,562,960 A	10/1996	Sugiura et al.	D485,017 S	1/2004	Noh
5,564,596 A	10/1996	Meadows et al.	D486,392 S	2/2004	Chuang
5,565,160 A	10/1996	Makuuchi et al.	D486,393 S	2/2004	Chuang
5,582,330 A	12/1996	Iba	2001/0009990 A1	7/2001	Hostettler et al.
5,582,598 A	12/1996	Chanoch	2002/0071708 A1	6/2002	Fontanet et al.
5,591,136 A	1/1997	Gabriel			
5,609,273 A	3/1997	Firestone et al.			
5,615,795 A	4/1997	Tipps			
5,630,800 A	5/1997	Blank et al.			
5,636,930 A	6/1997	Holloway			

FOREIGN PATENT DOCUMENTS

EP	0649795 B1	6/1999	47/20
EP	0673852 B1	2/2000	47/20

* cited by examiner

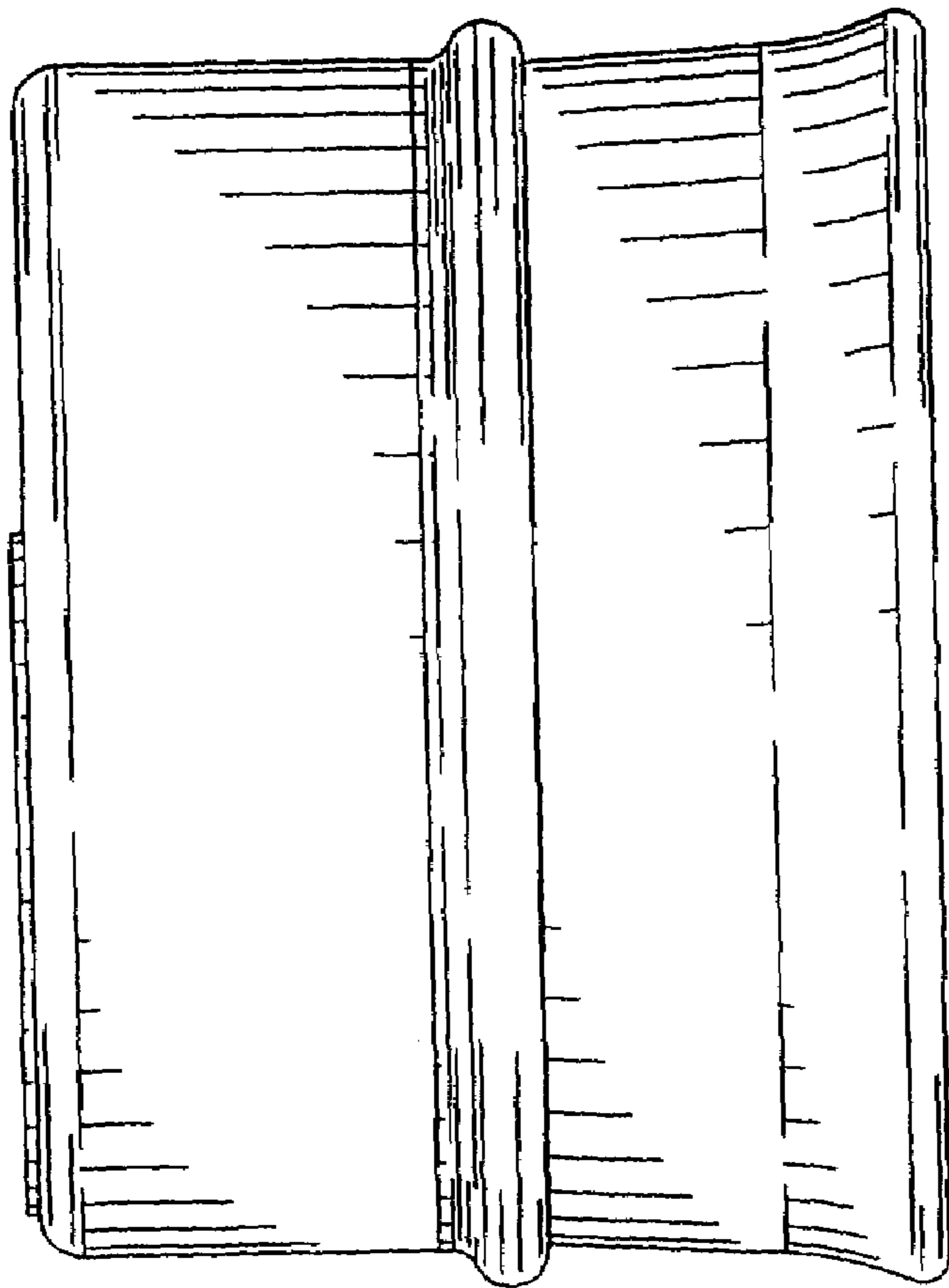


FIG. 1

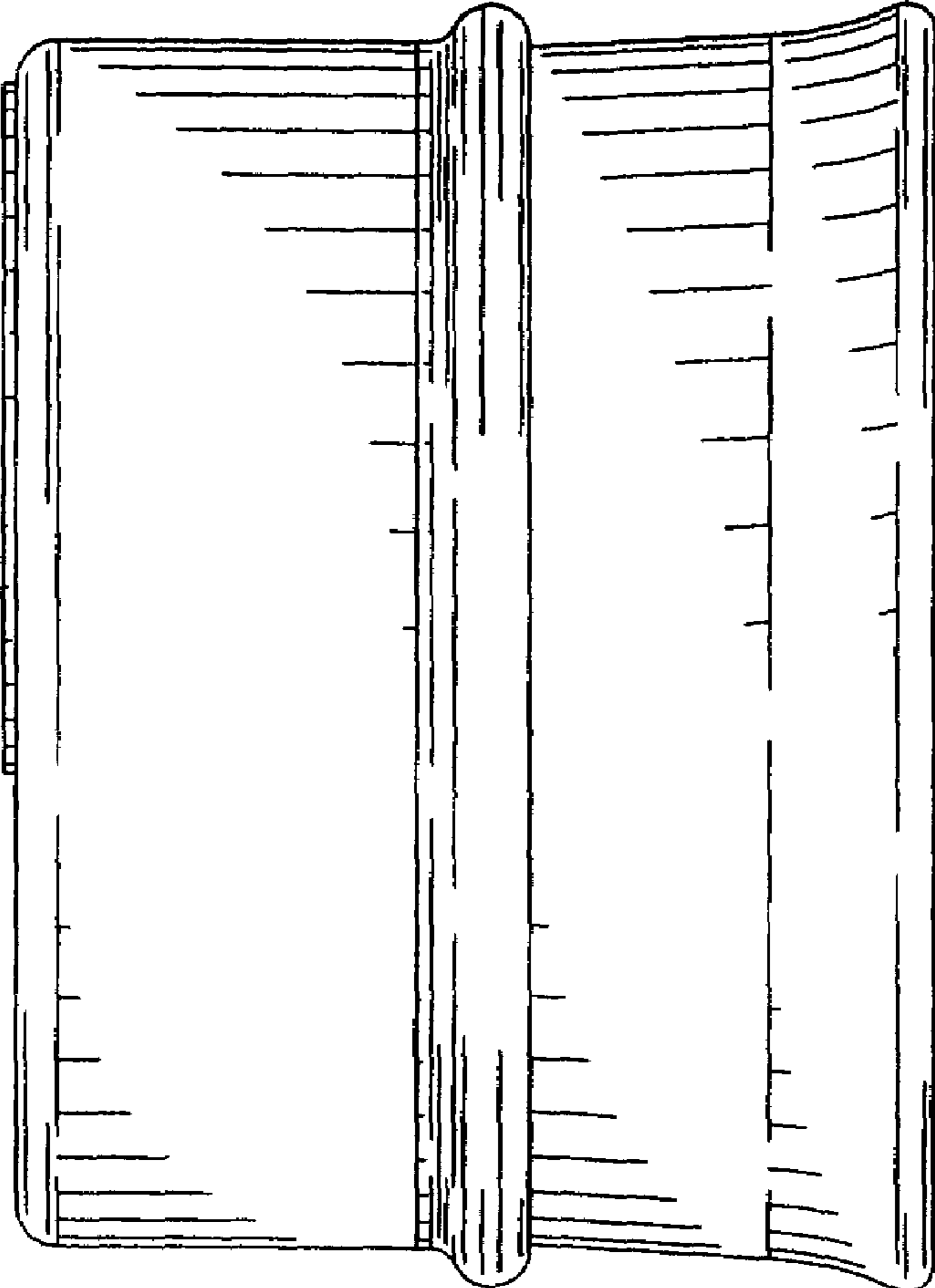


FIG. 2

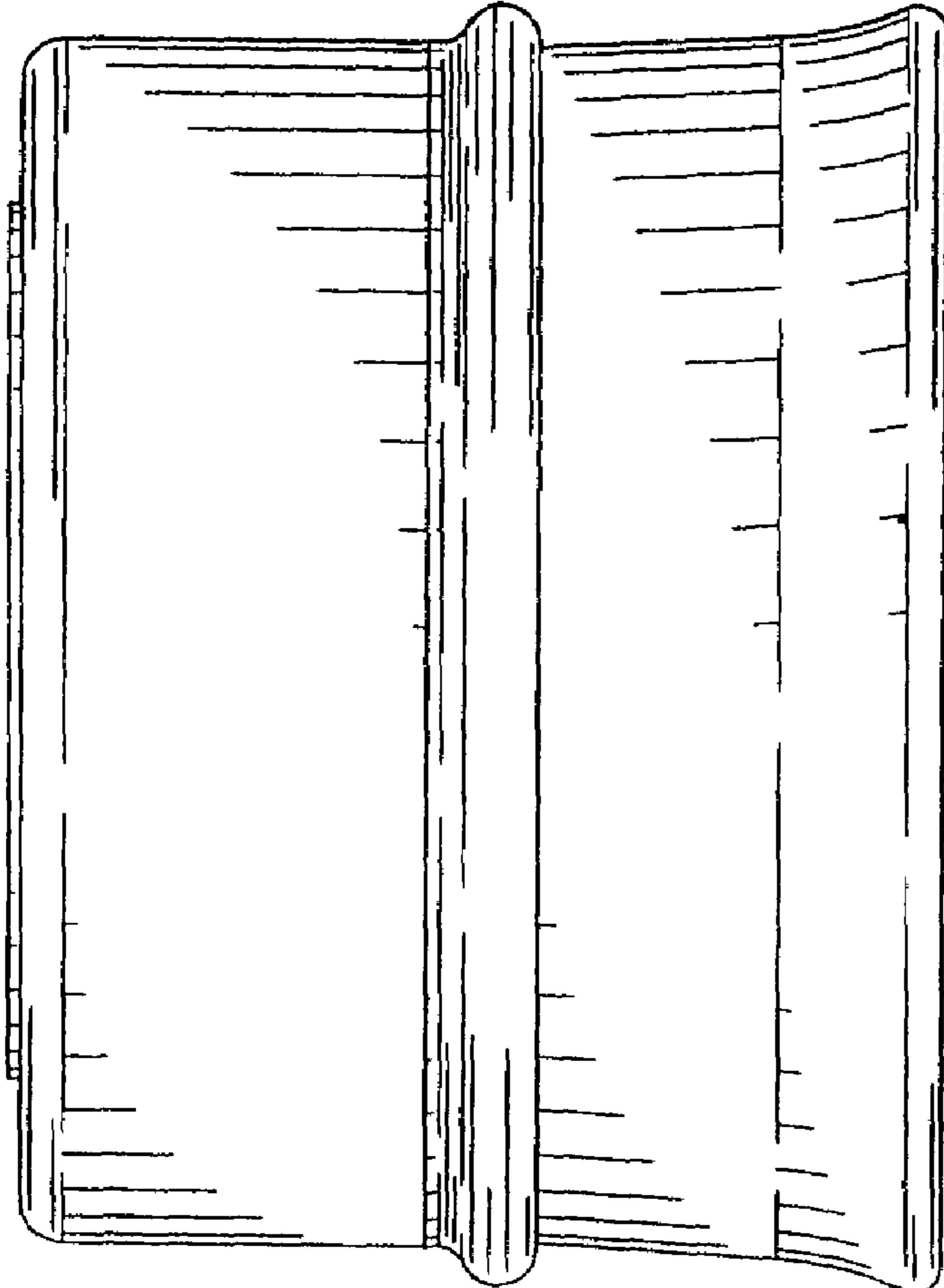


FIG. 3



FIG. 4

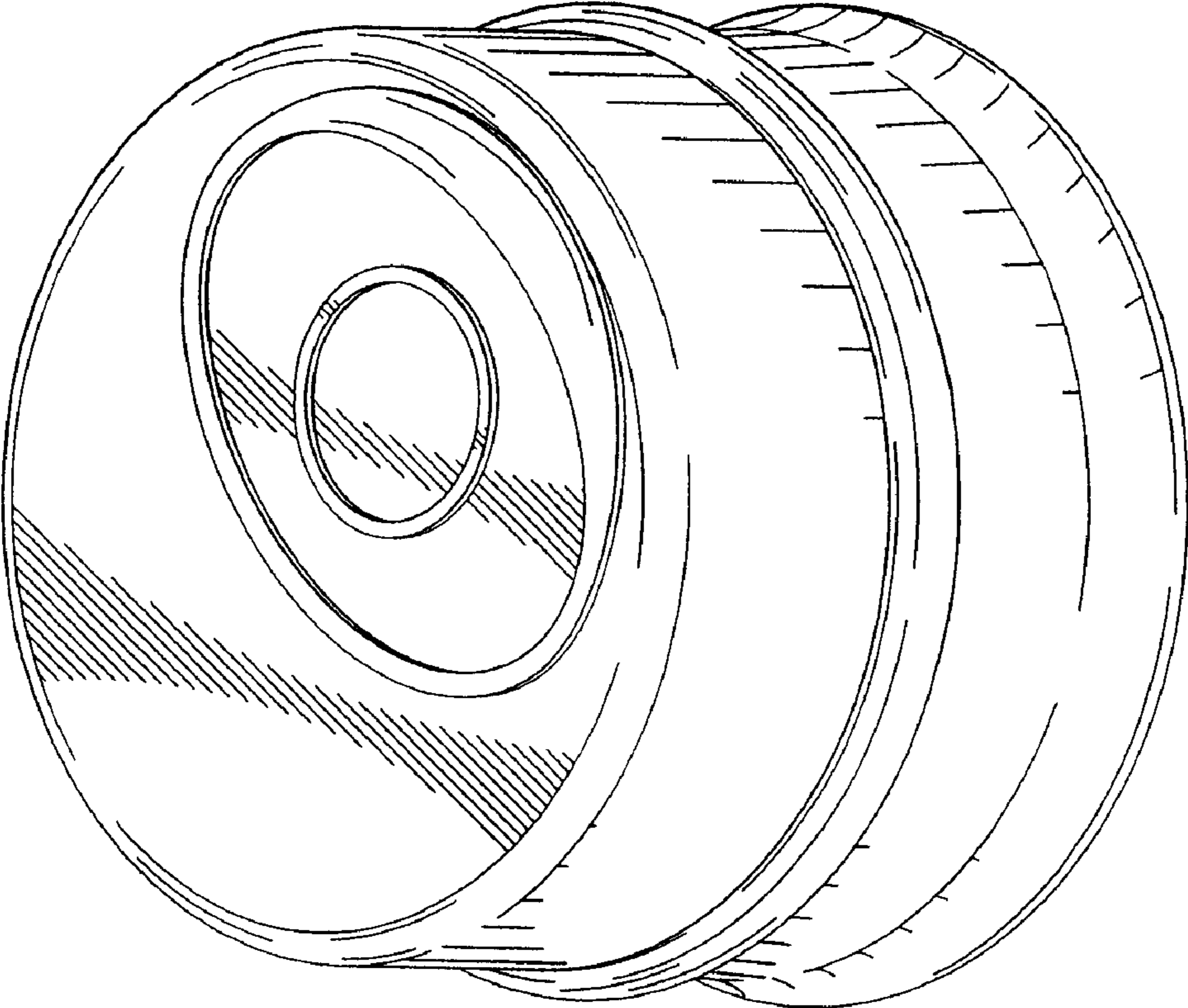


FIG. 5

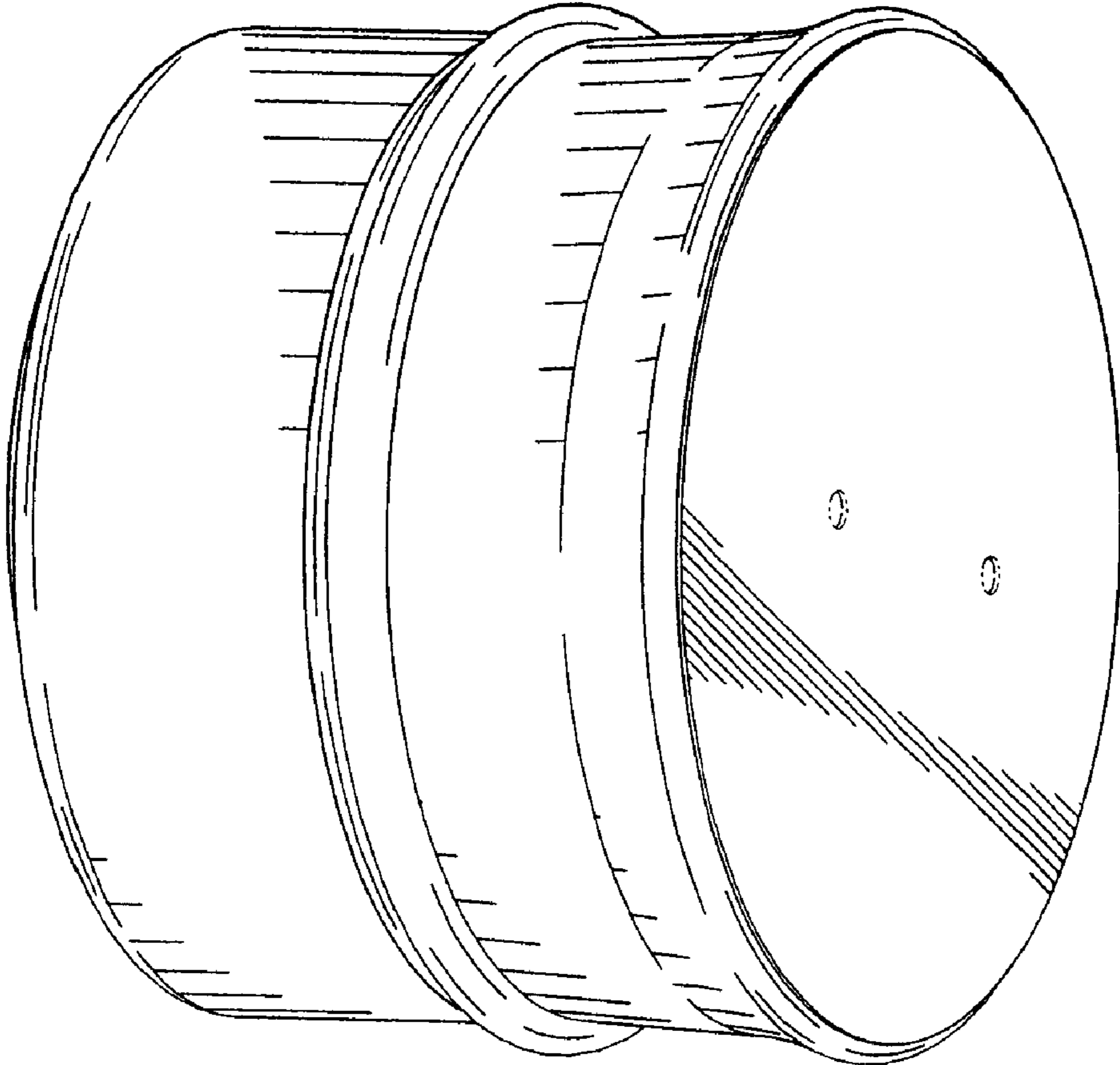


FIG. 6

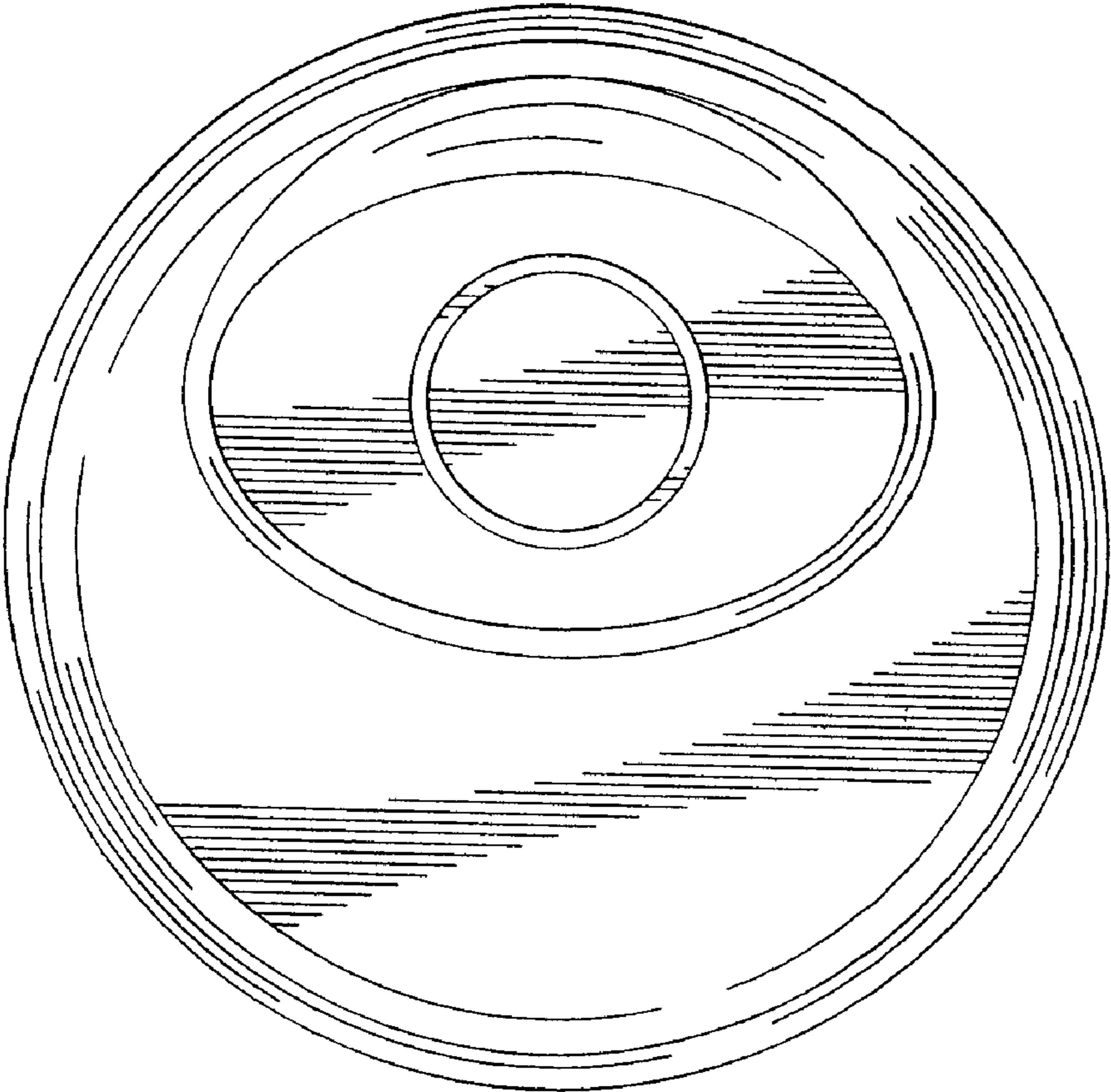


FIG. 7

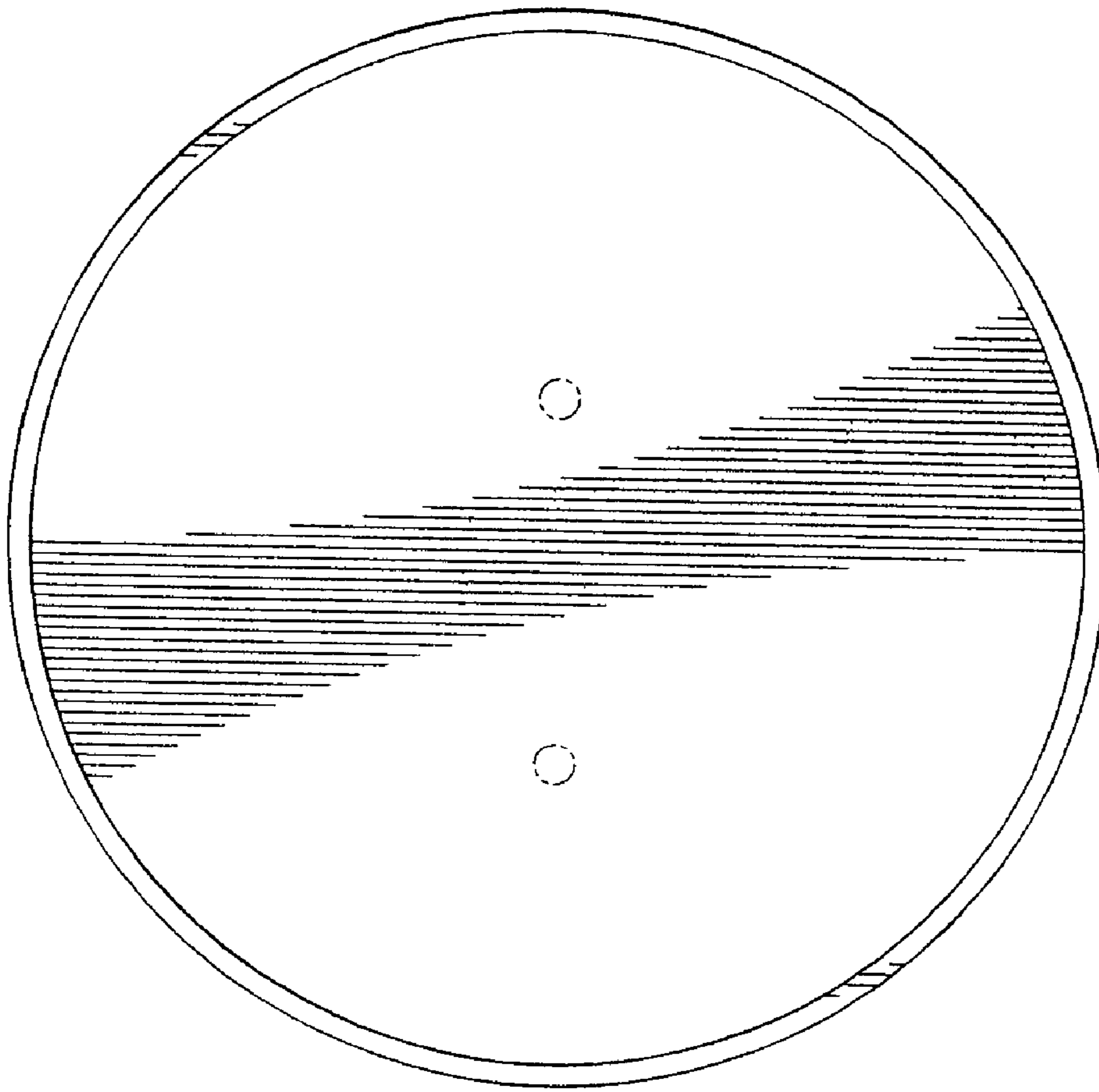


FIG. 8