



US00D554524S

(12) **United States Design Patent** (10) **Patent No.:** **US D554,524 S**  
**Py** (45) **Date of Patent:** **\*\* Nov. 6, 2007**

(54) **DISPENSING CONTAINER** 4,102,476 A 7/1978 Loeffler  
4,141,474 A 2/1979 Nilson  
(75) Inventor: **Daniel Py**, Larchmont, NY (US) 4,185,628 A 1/1980 Kopfer  
4,189,065 A 2/1980 Herold  
(73) Assignee: **Medical Instill Technologies, Inc.**, 4,233,262 A 11/1980 Curto  
New Milford, CT (US) 4,239,132 A 12/1980 Mueller et al.

(\*\*) Term: **14 Years**

(21) Appl. No.: **29/238,993**

(22) Filed: **Sep. 23, 2005**

**Related U.S. Application Data**

(62) Division of application No. 29/198,293, filed on Jan. 27, 2004, now Pat. No. Des. 512,646.

(51) **LOC (8) Cl.** ..... **09-01**

(52) **U.S. Cl.** ..... **D9/682; D9/688; D9/689**

(58) **Field of Classification Search** ..... D9/686,  
D9/452, 502-504, 522-529, 549, 682, 688,  
D9/690, 692; D28/73, 76, 82

See application file for complete search history.

(56) **References Cited**

**U.S. PATENT DOCUMENTS**

1,471,091 A 10/1923 Bessesen  
1,735,154 A 11/1929 Brodrick  
2,128,035 A 8/1938 Boetel  
D112,513 S 12/1938 Carvalho  
3,412,910 A 11/1968 Hahn  
D216,552 S 2/1970 Curry  
3,648,903 A 3/1972 Marchant  
3,662,753 A 5/1972 Tassell  
3,669,323 A 6/1972 Harker et al.  
3,699,961 A 10/1972 Szpur  
3,756,729 A 9/1973 Tufts  
3,993,069 A 11/1976 Buckles et al.  
4,002,516 A 1/1977 Gaborieau et al.  
4,023,607 A 5/1977 Jensen et al.  
4,050,459 A 9/1977 Sanchez

(Continued)

**FOREIGN PATENT DOCUMENTS**

EP 0802827 B1 12/1998

(Continued)

**OTHER PUBLICATIONS**

Lord and Taylor catalog advertisement, Mar. 2005, p. 8, "Shiseido" design container.

*Primary Examiner*—Prabhakar Deshmukh

*Assistant Examiner*—Rashida C. McCoy

(74) *Attorney, Agent, or Firm*—McCarter & English, LLP

(57) **CLAIM**

The ornamental design for a dispensing container, as shown and described.

**DESCRIPTION**

FIG. 1 is a side elevational view of a dispensing container showing my new design;

FIG. 2 is a side elevational view thereof rotated 180 degrees;

FIG. 3 is a side elevational view thereof rotated 90 degrees;

FIG. 4 is a side elevational view thereof rotated 270 degrees;

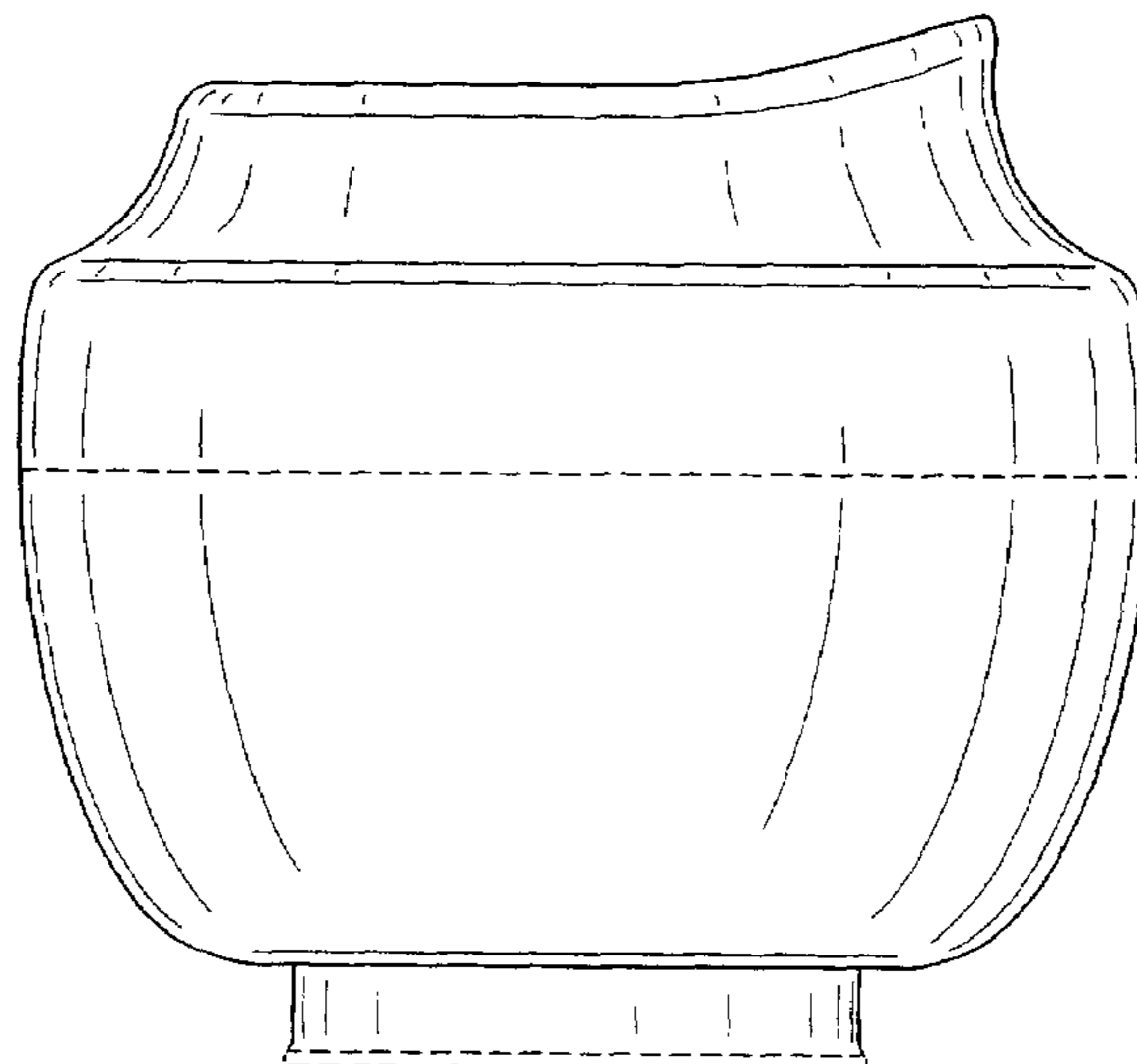
FIG. 5 is a side and top perspective view thereof;

FIG. 6 is a top plan view thereof; and,

FIG. 7 is a bottom plan view thereof.

The broken lines are included for the purpose of illustrating and form no part of the claimed design.

**1 Claim, 7 Drawing Sheets**



# US D554,524 S

U.S. PATENT DOCUMENTS					
4,240,465	A	12/1980 Rader	5,591,136	A	1/1997 Gabriel
4,264,018	A	4/1981 Warren	5,609,273	A	3/1997 Firestone et al.
4,367,739	A	1/1983 LeVeen et al.	5,615,795	A	4/1997 Tipps
4,420,100	A	12/1983 Mueller	5,630,800	A	5/1997 Blank et al.
4,458,830	A	7/1984 Werding	5,636,930	A	6/1997 Holloway
4,475,905	A	10/1984 Himmelstrup	5,641,004	A	6/1997 Py
4,479,578	A	10/1984 Brignola et al.	5,664,704	A	9/1997 Meadows et al.
4,479,989	A	10/1984 Mahal	5,676,267	A	10/1997 Slat et al.
4,482,585	A	11/1984 Ohodaira et al.	5,687,882	A	11/1997 Mueller
4,493,348	A	1/1985 Lemmons	5,692,651	A	12/1997 Fuchs
4,501,781	A	2/1985 Kushida et al.	5,702,019	A	12/1997 Grimard
4,513,891	A	4/1985 Hain et al.	5,718,334	A	2/1998 Demel
4,526,294	A	7/1985 Hirschmann et al.	5,727,892	A	3/1998 Baudin
D282,630	S	2/1986 Braun	5,728,075	A	3/1998 Levander
4,579,757	A	4/1986 Su et al.	5,730,322	A	3/1998 Iba et al.
4,624,594	A	11/1986 Sasaki et al.	5,743,441	A	4/1998 Baudin et al.
4,636,412	A	1/1987 Field	5,743,889	A	4/1998 Sams
4,643,723	A	2/1987 Smit	5,772,347	A	6/1998 Gueret
4,699,300	A	10/1987 Blake	5,780,130	A	7/1998 Hansen et al.
4,700,838	A	10/1987 Falciani et al.	5,785,683	A	7/1998 Szapiro et al.
4,737,148	A	4/1988 Blake	5,799,837	A	9/1998 Firestone et al.
4,739,906	A	4/1988 LoTurco	5,803,311	A	9/1998 Fuchs
4,776,717	A	10/1988 Iizuka et al.	5,804,236	A	9/1998 Frisk
4,784,652	A	11/1988 Wikström	5,823,397	A	10/1998 Gil
4,842,165	A	6/1989 Van Coney	5,829,901	A	11/1998 Brown et al.
4,854,481	A	8/1989 Bohl et al.	D402,894	S *	12/1998 Elia ..... D9/504
4,854,486	A	8/1989 Daley et al.	D403,584	S *	1/1999 Bakic ..... D9/454
4,865,591	A	9/1989 Sams	D403,585	S *	1/1999 Bakic et al. .... D9/454
4,895,279	A	1/1990 Schultz	D403,586	S	1/1999 Bakic
4,903,741	A	2/1990 Ibanez	5,855,302	A	1/1999 Fisscher
4,910,147	A	3/1990 Bacehowski et al.	D405,003	S	2/1999 Dapsanse
4,936,833	A	6/1990 Sams	5,876,372	A	3/1999 Grabenkort et al.
4,949,877	A	8/1990 Hanna et al.	5,879,095	A	3/1999 Gueret
4,962,868	A	10/1990 Borchard	5,879,336	A	3/1999 Brinon
4,973,318	A	11/1990 Holm et al.	5,899,624	A	5/1999 Thompson
4,978,036	A	12/1990 Burd	D411,747	S *	6/1999 Kokenge et al. .... D9/503
5,033,647	A	7/1991 Smith et al.	D411,800	S *	7/1999 Kokenge et al. .... D9/454
5,083,416	A	1/1992 Schneider et al.	5,931,386	A	8/1999 Jouillat
5,102,705	A	4/1992 Yamamoto et al.	5,934,500	A	8/1999 Cogger et al.
5,108,007	A	4/1992 Smith et al.	RE36,410	E	11/1999 Meshberg
5,178,300	A	1/1993 Haviv et al.	6,004,298	A	12/1999 Levander
5,197,638	A	3/1993 Wood	D419,881	S *	2/2000 Kokenge et al. .... D9/454
5,226,568	A	7/1993 Newton et al.	6,050,444	A	4/2000 Sugg
5,226,895	A	7/1993 Harris	6,053,370	A	4/2000 Ludbrook et al.
5,238,153	A	8/1993 Castillo et al.	D424,943	S	5/2000 Kokenge et al.
5,244,465	A	9/1993 Michel	6,062,430	A	5/2000 Fuchs
D339,986	S *	10/1993 Garouste et al. .... D9/529	6,062,437	A	5/2000 Mascitelli
5,253,785	A	10/1993 Haber et al.	6,083,201	A	7/2000 Skinkle
5,290,260	A	3/1994 Stines	6,083,450	A	7/2000 Safian
5,318,204	A	6/1994 Davis et al.	D434,324	S *	11/2000 Gobe ..... D9/504
5,320,256	A	6/1994 Wood	6,145,707	A	11/2000 Baudin
D348,395	S *	7/1994 Bertolini ..... D9/529	D434,667	S *	12/2000 Gobe ..... D9/529
5,332,121	A	7/1994 Schmidt et al.	D435,449	S *	12/2000 Moretti ..... D9/500
5,339,972	A	8/1994 Crosnier et al.	6,170,705	B1	1/2001 Schneider et al.
5,360,145	A	11/1994 Gueret	6,186,686	B1	2/2001 Neuner et al.
5,416,303	A	5/1995 Grooms et al.	6,200,047	B1	3/2001 Holloway
5,419,465	A	5/1995 Schroeder	6,202,901	B1	3/2001 Gerber et al.
5,425,465	A	6/1995 Healy	6,234,363	B1	5/2001 Stradella
5,429,254	A	7/1995 Christine	6,254,579	B1	7/2001 Cogger et al.
5,489,026	A	2/1996 D'Aloia	D446,456	S *	8/2001 Adachi et al. .... D9/529
5,489,027	A	2/1996 Goerigk	6,325,253	B1	12/2001 Robinson
RE35,187	E	3/1996 Gortz	6,338,442	B1	1/2002 De Laforcade
5,497,910	A	3/1996 Meadows et al.	6,343,713	B1	2/2002 Abplanalp
D373,084	S *	8/1996 Choi ..... D9/504	6,351,924	B1	3/2002 Gustafsson et al.
5,545,147	A	8/1996 Harris	6,357,945	B1	3/2002 Losier et al.
5,556,678	A	9/1996 Jupin et al.	6,371,129	B1	4/2002 Le Bras-Brown et al.
5,562,960	A	10/1996 Sugiura et al.	6,383,167	B2	5/2002 Kirchhofer et al.
5,564,596	A	10/1996 Meadows et al.	6,386,395	B1	5/2002 Lughetti
5,565,160	A	10/1996 Makuuchi et al.	6,419,412	B1	7/2002 Ostrowski et al.
5,582,330	A	12/1996 Iba	6,446,844	B1	9/2002 Gross
5,582,598	A	12/1996 Chanoch	6,450,994	B1	9/2002 Boyles et al.

# US D554,524 S

Page 3

---

6,502,725 B1 1/2003 Alexander  
6,533,482 B1 3/2003 Byun  
D479,366 S 9/2003 Goswell  
D480,000 S 9/2003 Hirato  
2001/0009990 A1 7/2001 Hostettler et al.  
2002/0071708 A1 6/2002 Fontanet et al.

## FOREIGN PATENT DOCUMENTS

EP 0649795 B1 6/1999  
EP 0673852 B1 2/2000

\* cited by examiner

FIG. 1

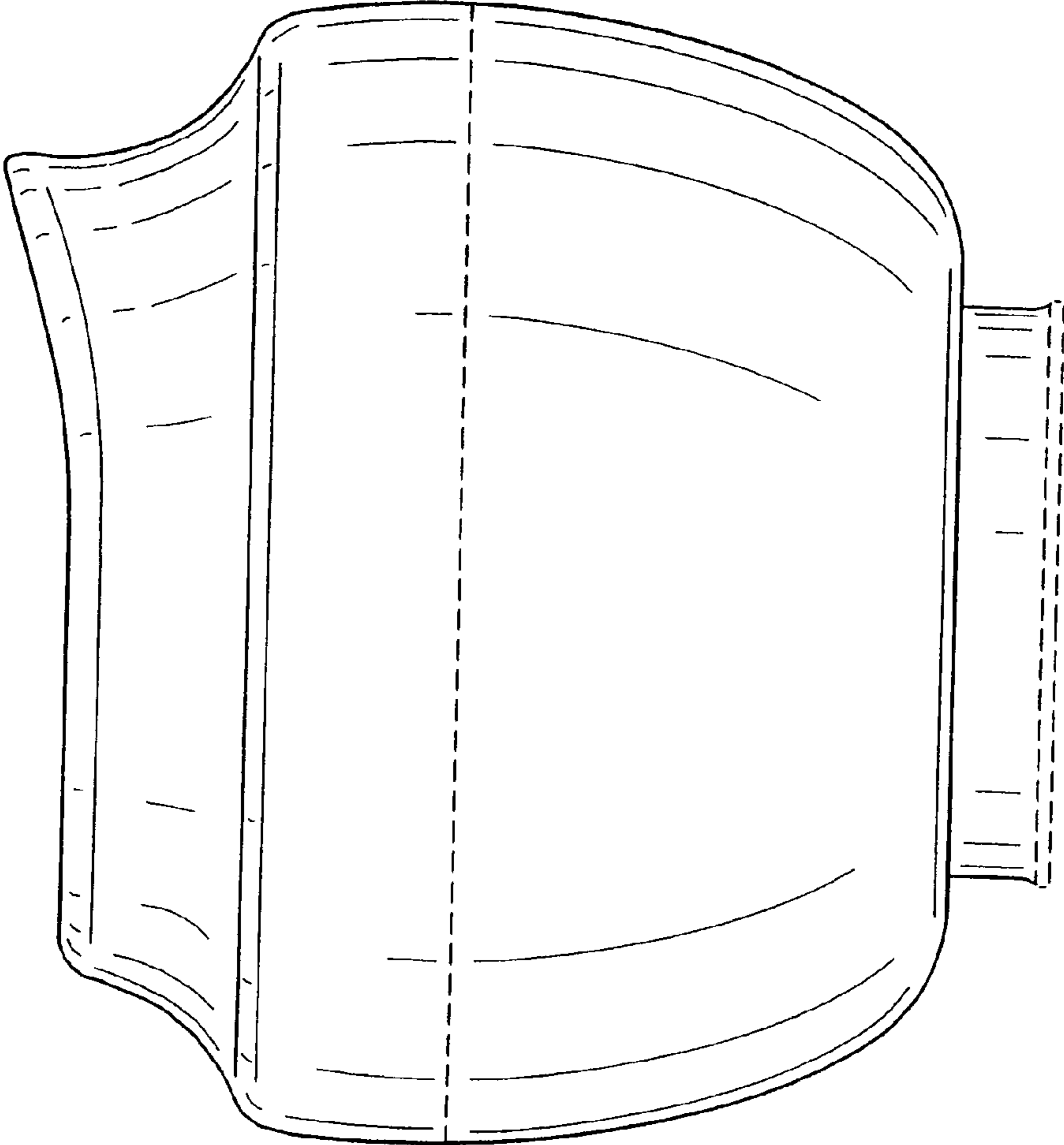


FIG. 2

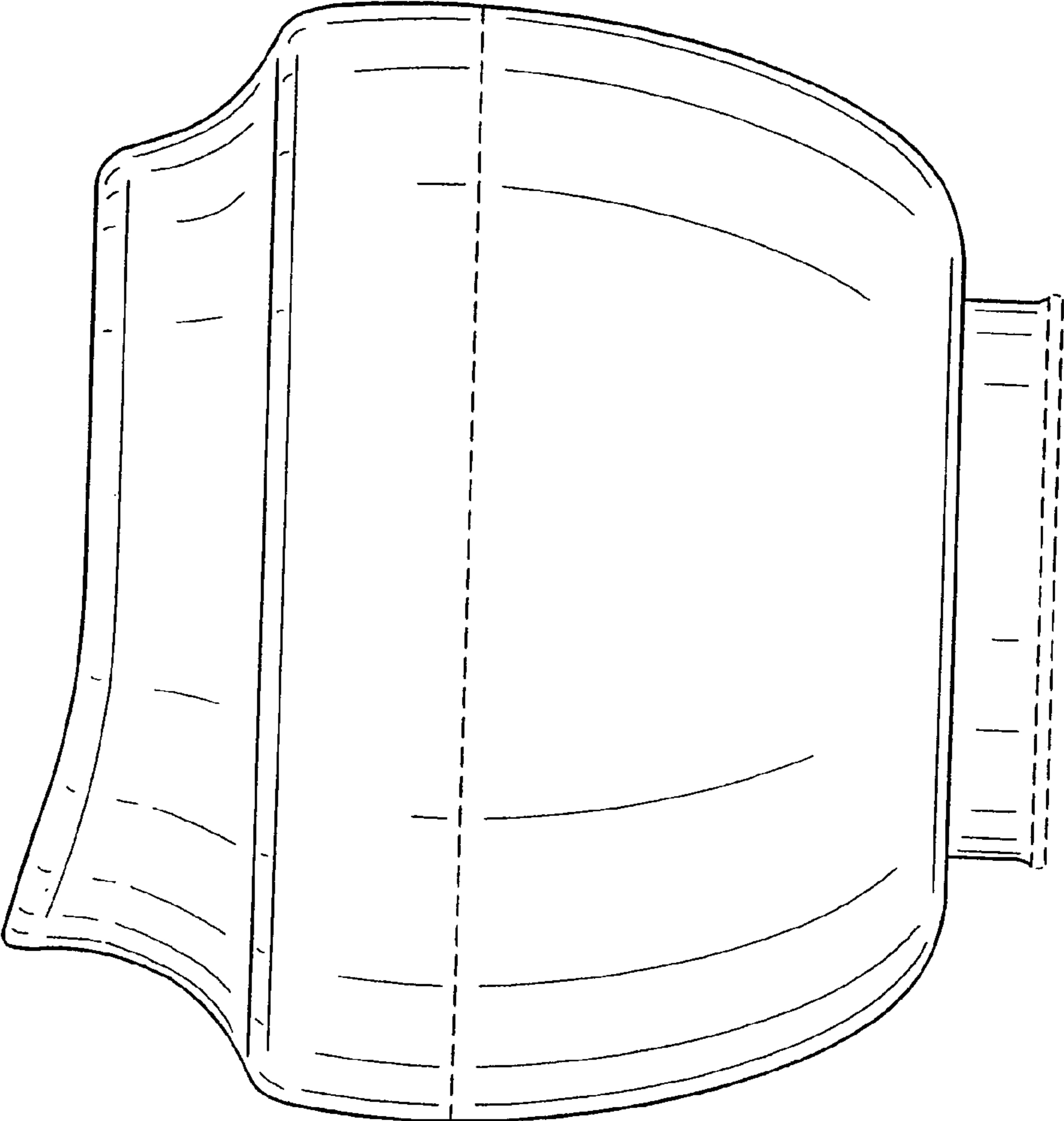


FIG. 3

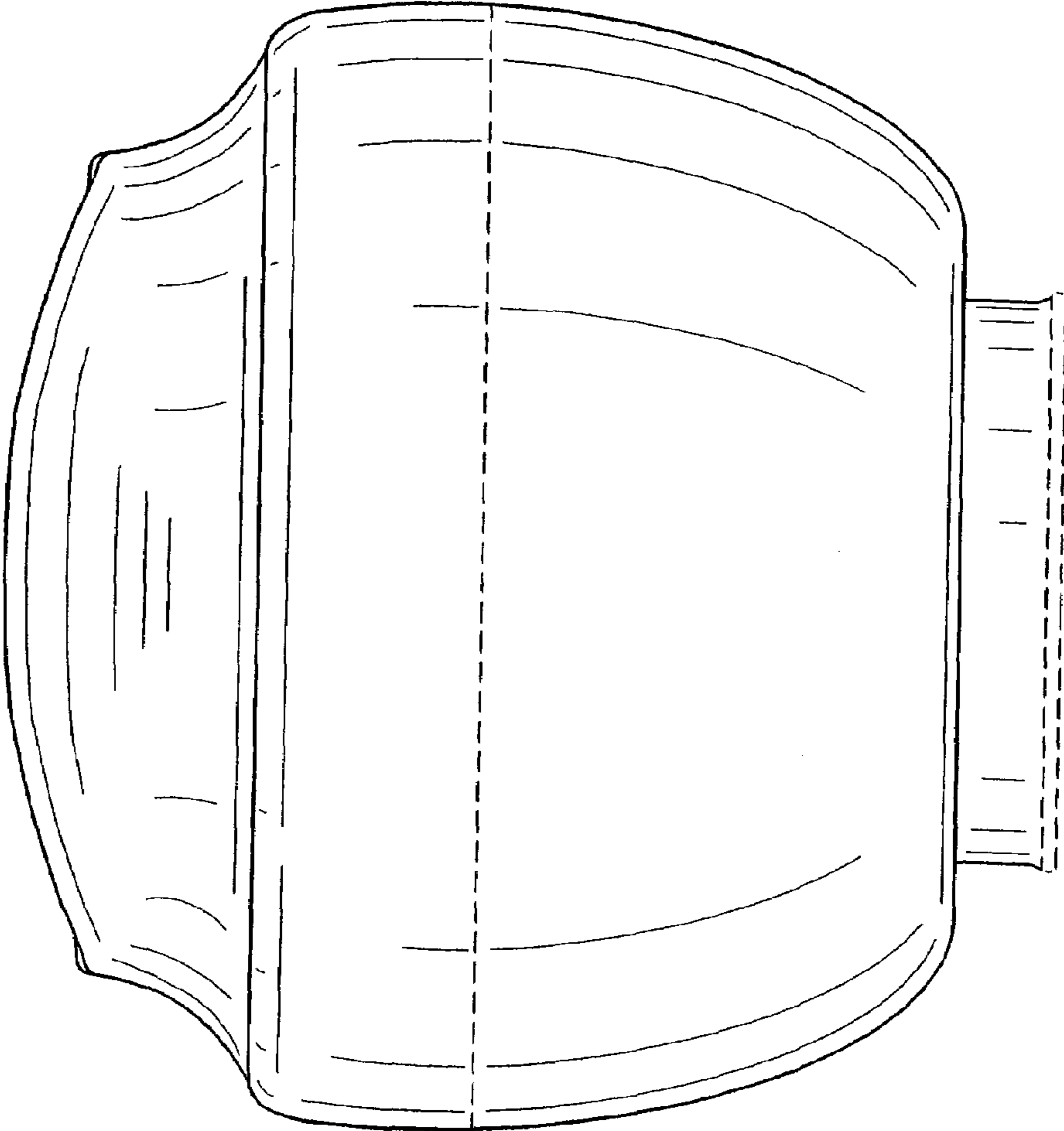


FIG. 4

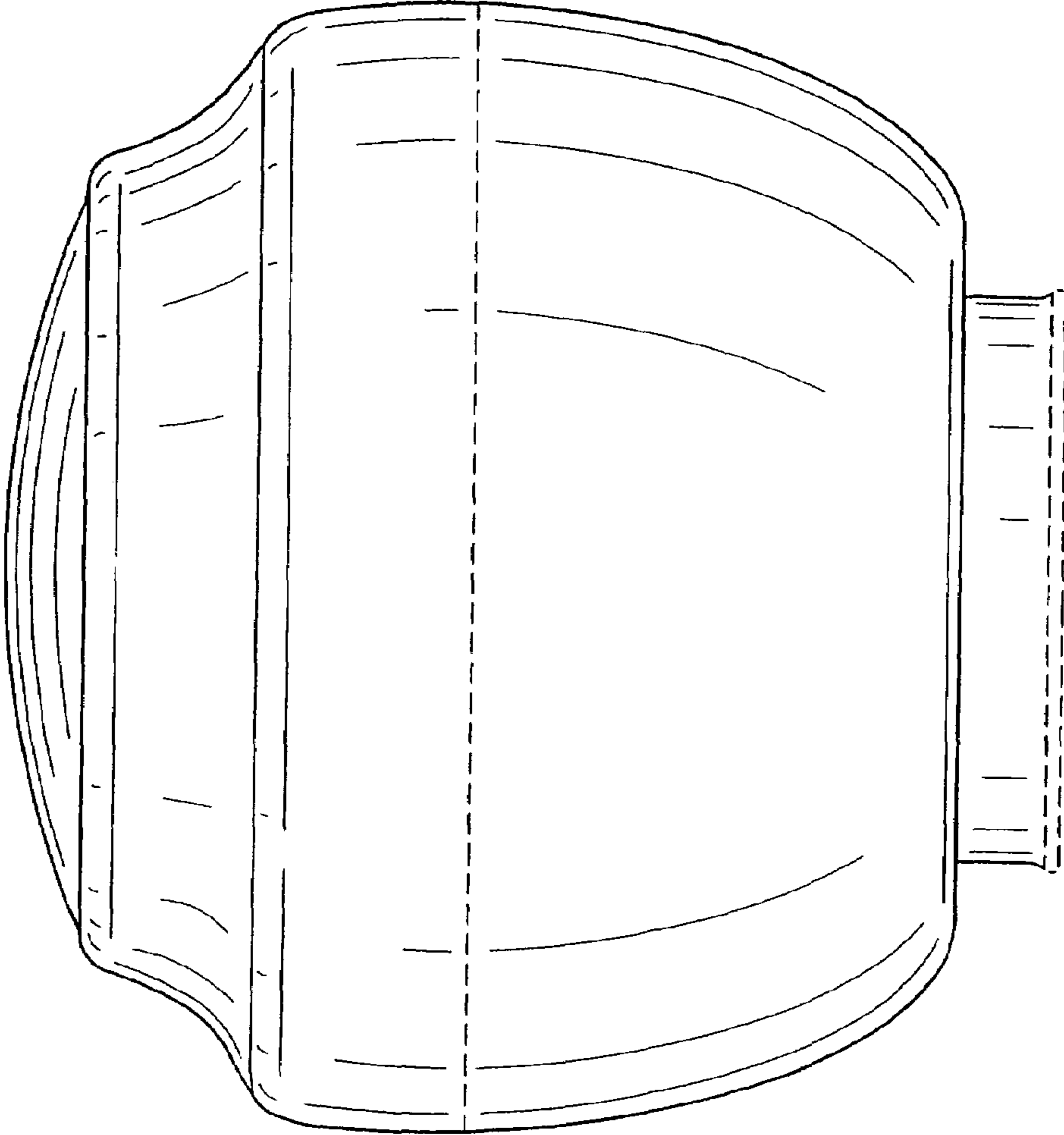


FIG. 5

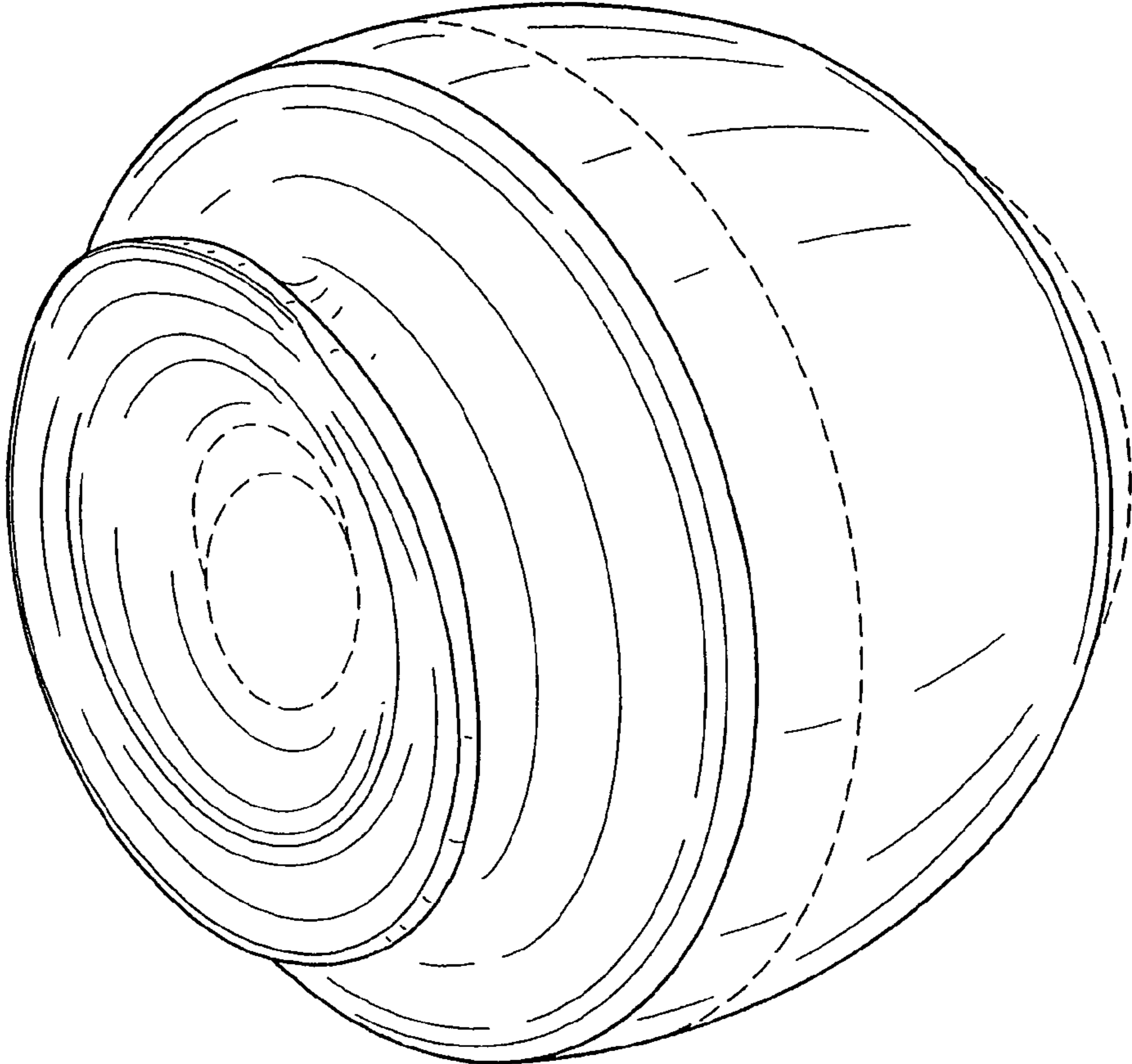




FIG. 6

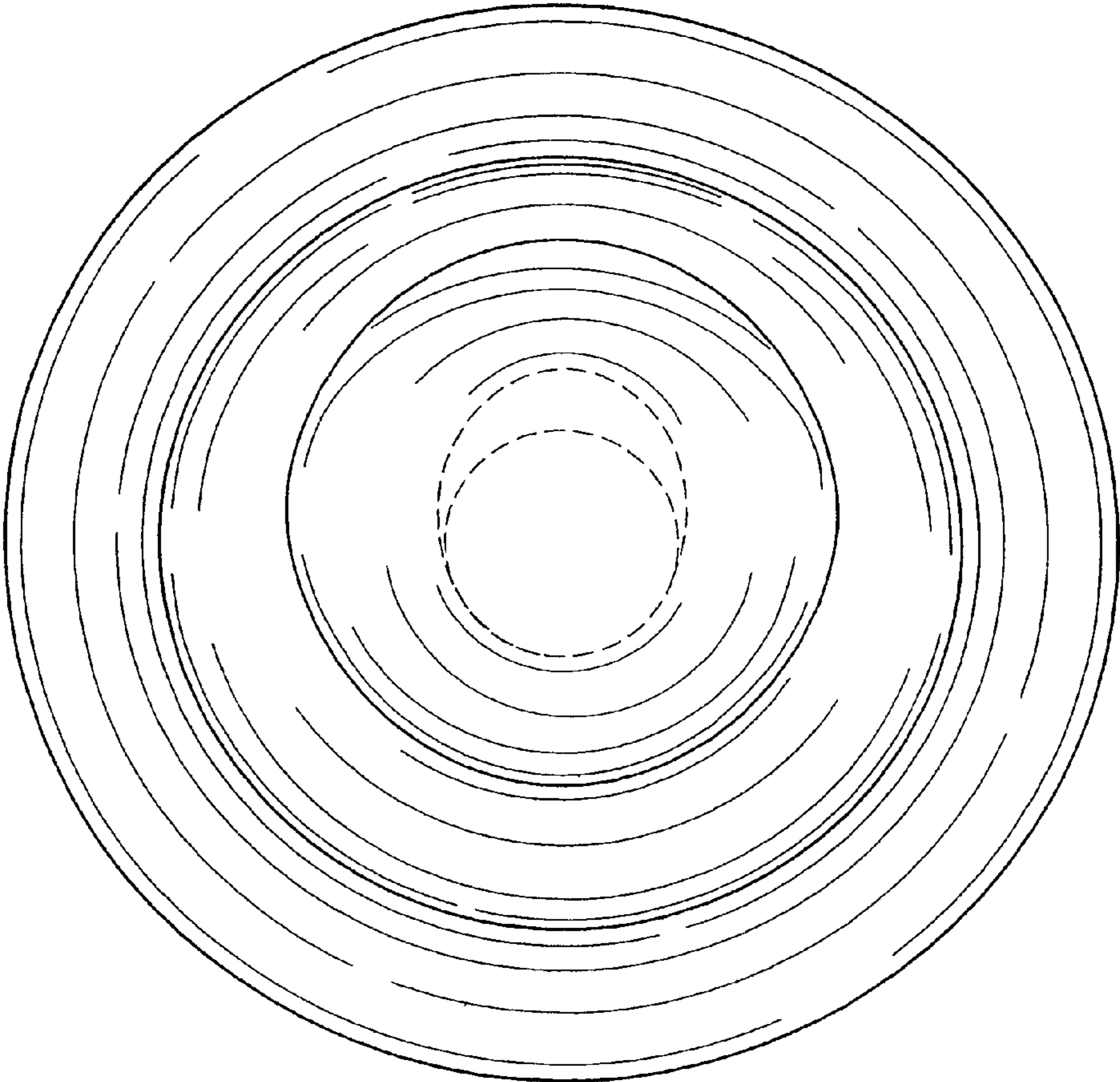


FIG. 7

