



US00D554511S

(12) **United States Design Patent**
Mühlhausen

(10) **Patent No.:** **US D554,511 S**

(45) **Date of Patent:** **** Nov. 6, 2007**

(54) **BOTTLE**

(75) Inventor: **Hans Georg Mühlhausen**, Düsseldorf (DE)

(73) Assignee: **Henkel KGaA**, Dusseldorf (DE)

(**) Term: **14 Years**

(21) Appl. No.: **29/257,510**

(22) Filed: **Apr. 5, 2006**

(30) **Foreign Application Priority Data**

Oct. 15, 2005 (DE) 40505328
Nov. 4, 2005 (EM) 000426671

(51) **LOC (8) Cl.** **09-01**

(52) **U.S. Cl.** **D9/526; D9/564; D9/575; D9/454**

(58) **Field of Classification Search** D9/682-694, D9/516, 520, 523-528, 563-564, 570-575, D9/454; 215/381-385, 396, 398, 400
See application file for complete search history.

(56) **References Cited**

U.S. PATENT DOCUMENTS

D50,815 S *	5/1917	Lee	D9/526
D191,770 S *	11/1961	Schacher	D9/526 X
D270,518 S *	9/1983	Duering	D9/526 X
4,437,587 A *	3/1984	Duering	222/207
D274,129 S *	6/1984	Lyons	D9/523
D299,428 S *	1/1989	Wilfond	D9/526
D307,546 S *	5/1990	Lyons	D9/526
D310,026 S *	8/1990	Verebelyi	D9/520
D310,960 S *	10/1990	Verebelyi	D9/526
5,503,284 A *	4/1996	Li	215/383
D378,573 S *	3/1997	Sherman	D9/526
D401,857 S *	12/1998	Collins et al.	D9/526

D406,530 S *	3/1999	Bodker et al.	D9/526
D406,531 S *	3/1999	Bodker et al.	D9/526
D410,847 S *	6/1999	Bodker et al.	D9/526
D414,115 S *	9/1999	Goettner et al.	D9/526
D501,142 S *	1/2005	Pattison	D9/526
D513,990 S *	1/2006	Archeny	D9/523
D540,175 S *	4/2007	Goodlive et al.	D9/526

* cited by examiner

Primary Examiner—Carol Rademaker

(74) *Attorney, Agent, or Firm*—Paul & Paul

(57) **CLAIM**

The ornamental design for a bottle, substantially as shown and described.

DESCRIPTION

FIG. 1 is a top, front, right side perspective view of a first embodiment of a bottle embodying my new design;

FIG. 2 is rear elevational view thereof;

FIG. 3 is a front elevational view thereof;

FIG. 4 is a right side elevational view thereof, the left side elevational view being a mirror image;

FIG. 5 is a top plan view thereof;

FIG. 6 is a bottom plan view thereof;

FIG. 7 is a top, front, right side perspective view of a second embodiment of a bottle embodying my new design;

FIG. 8 is rear elevational view thereof;

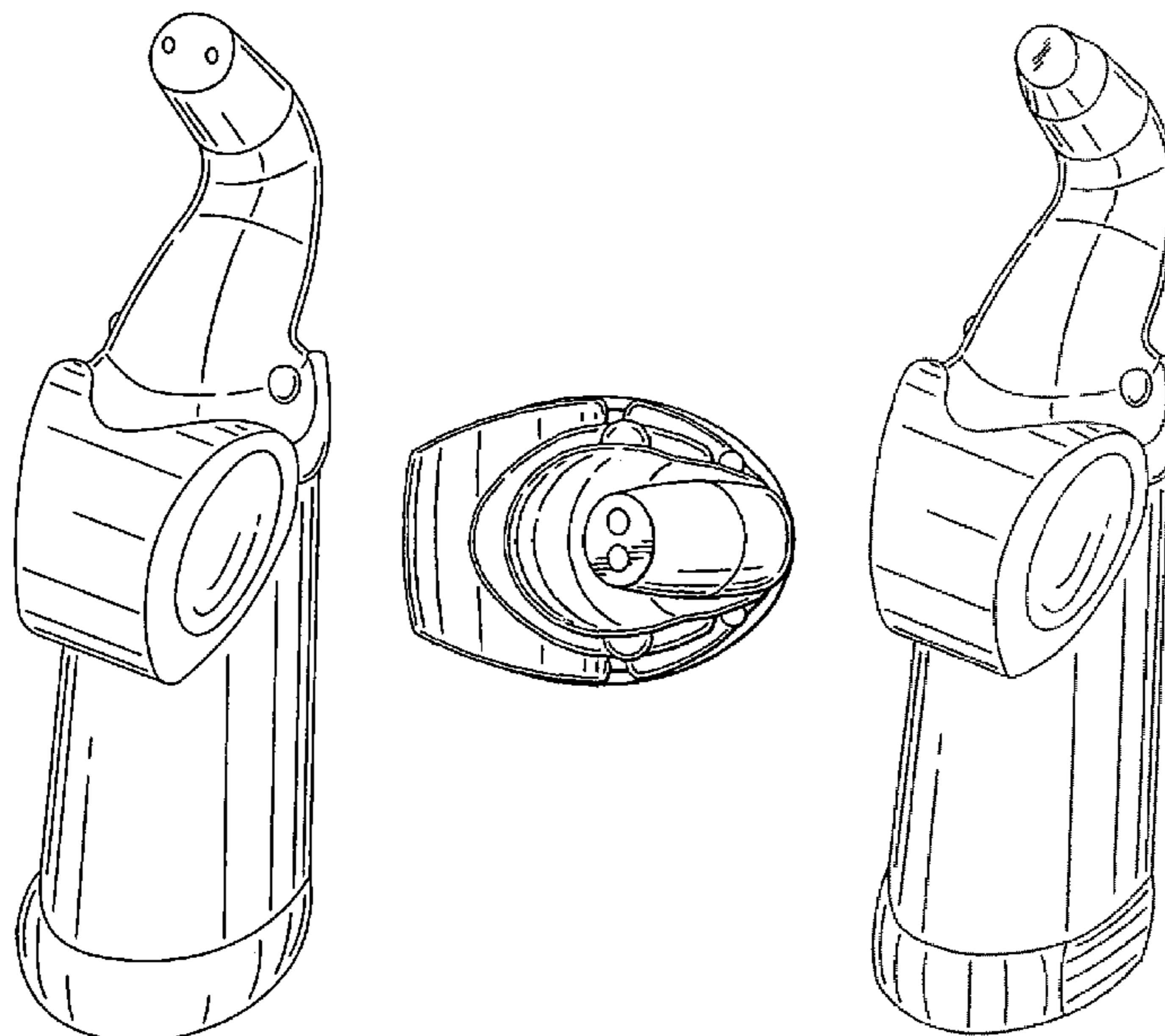
FIG. 9 is a front elevational view thereof;

FIG. 10 is a right side elevational view thereof, the left side elevational view being a mirror image;

FIG. 11 is a top plan view thereof; and,

FIG. 12 is a bottom plan view thereof.

1 Claim, 6 Drawing Sheets



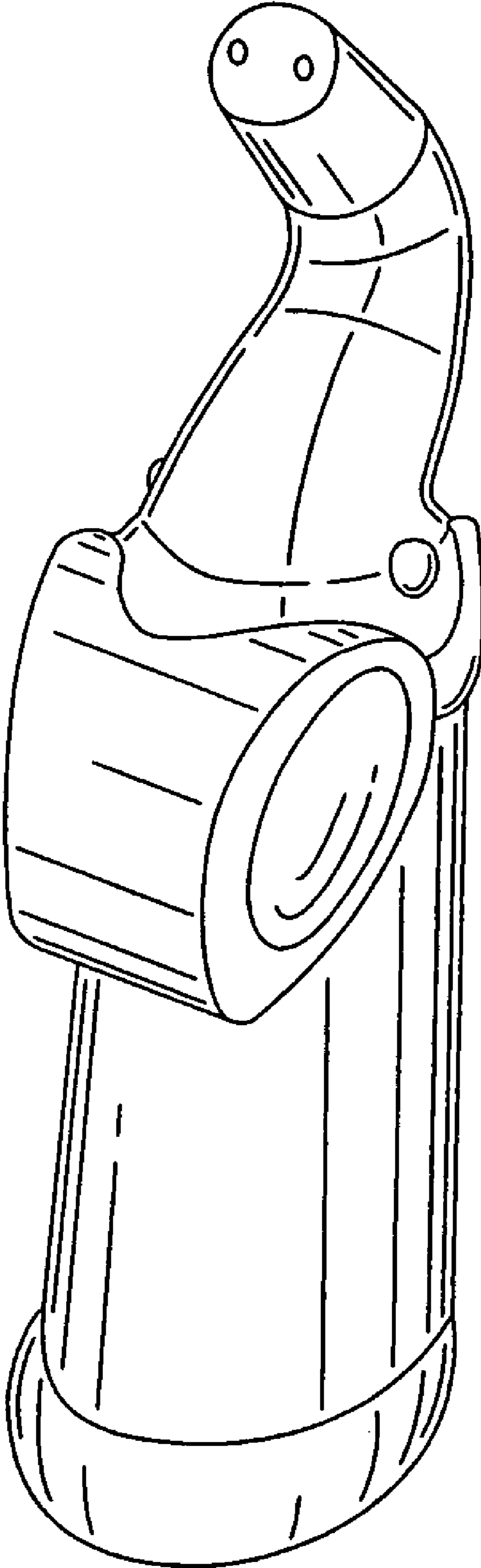


Fig. 1

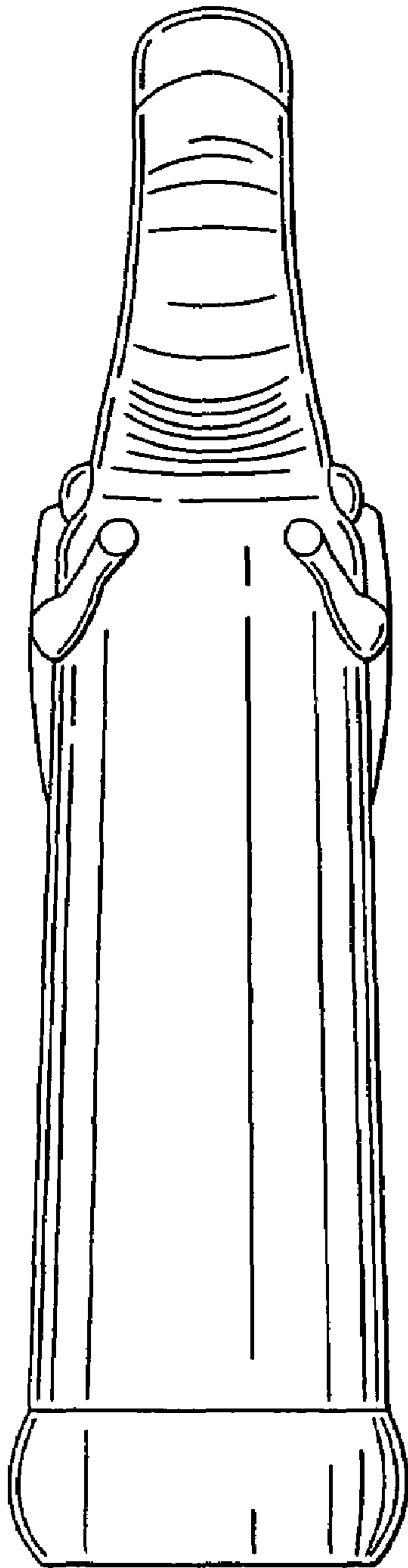


Fig. 2

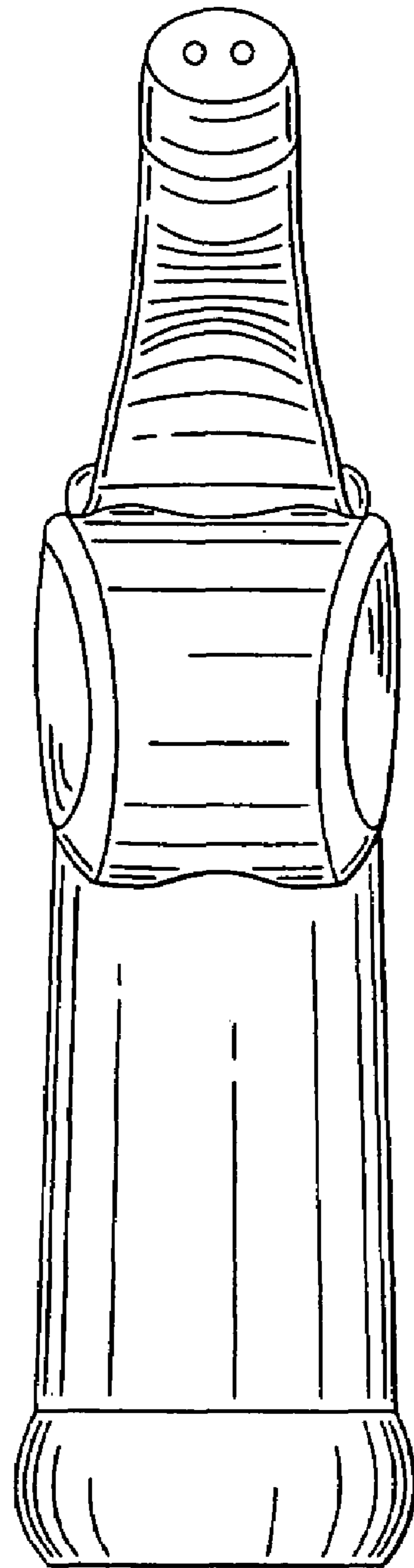


Fig. 3

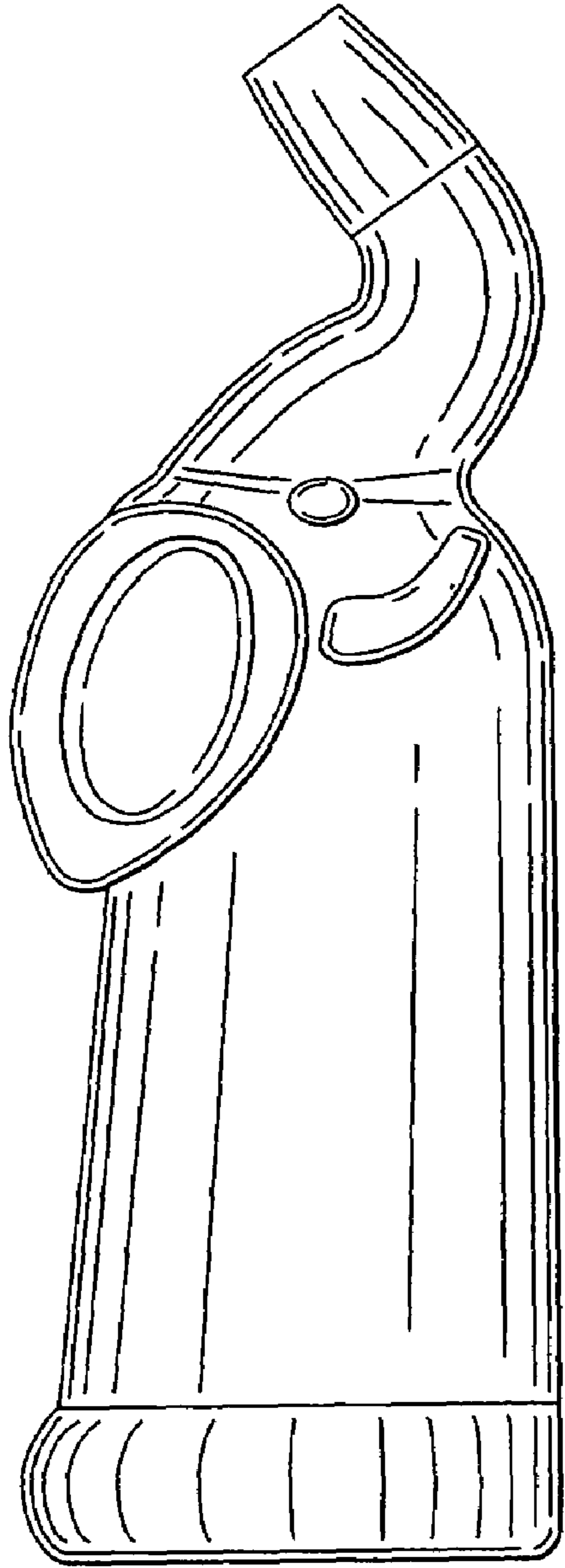


Fig. 4

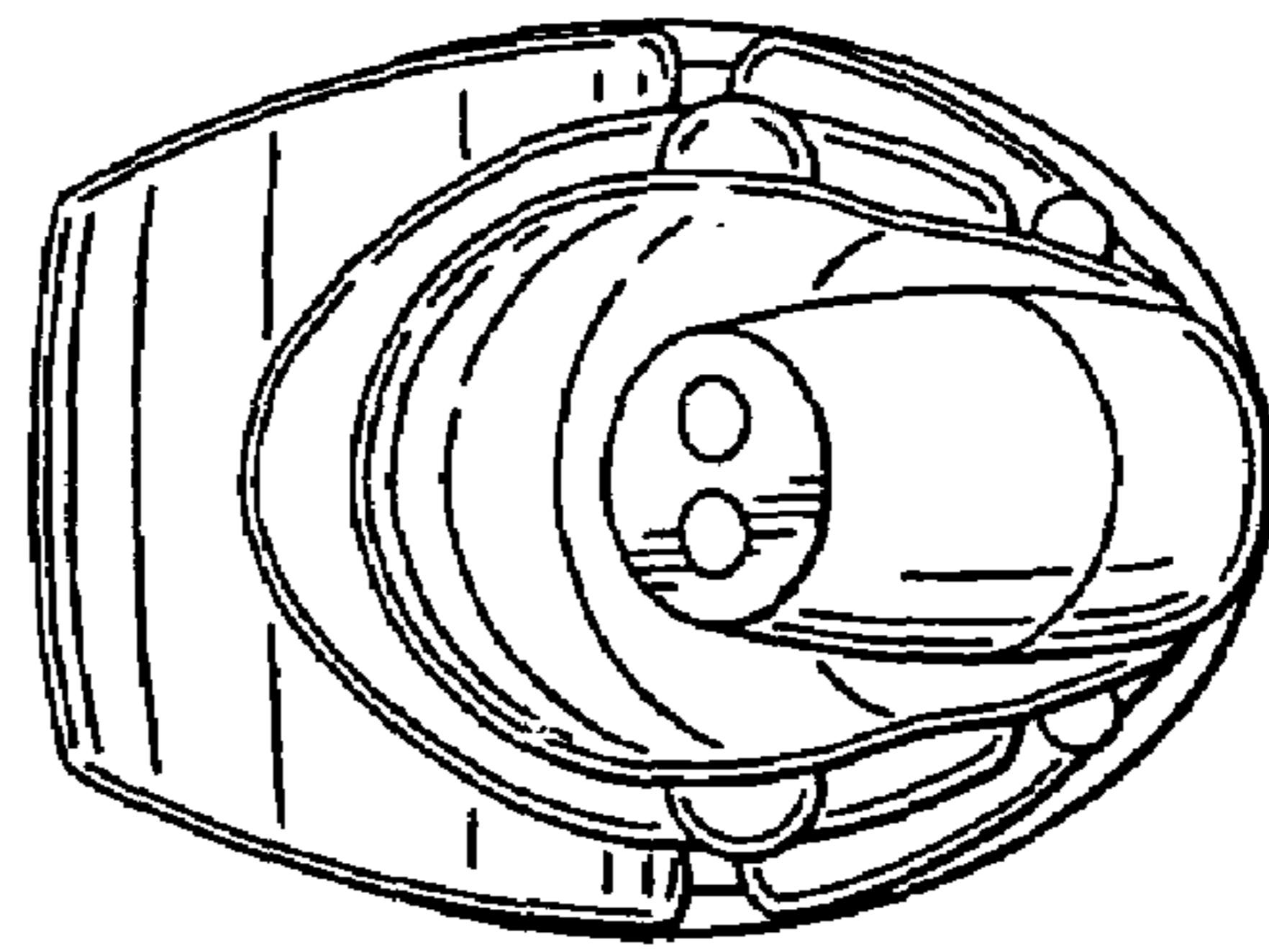


Fig. 5

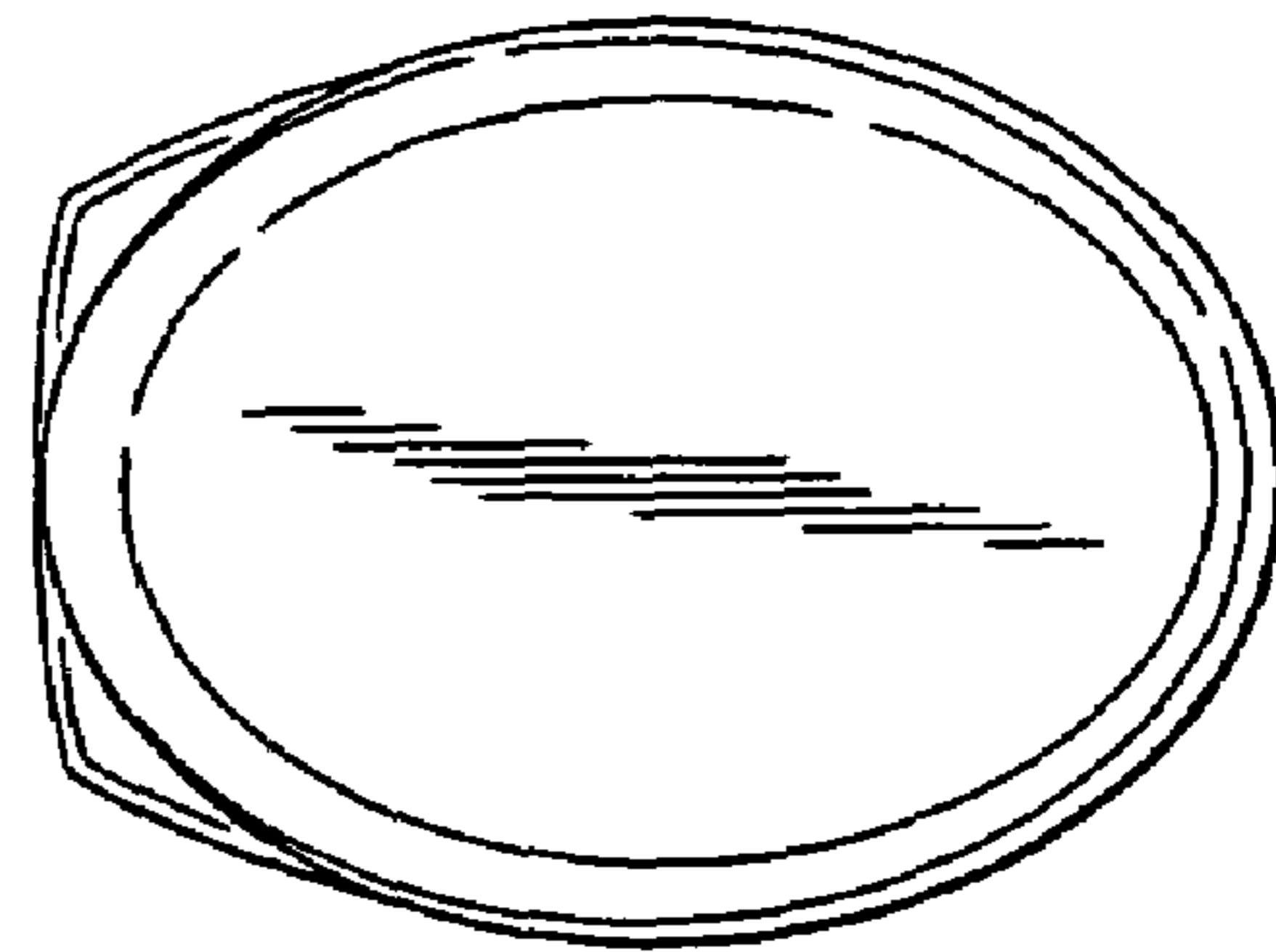


Fig. 6

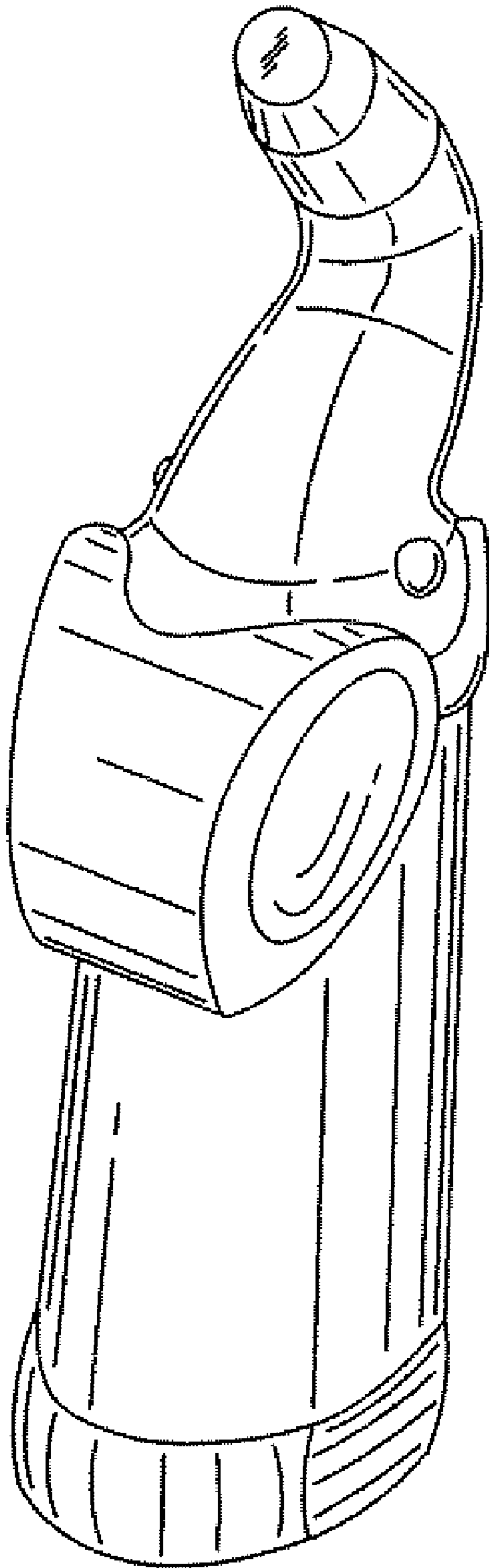


Fig. 7

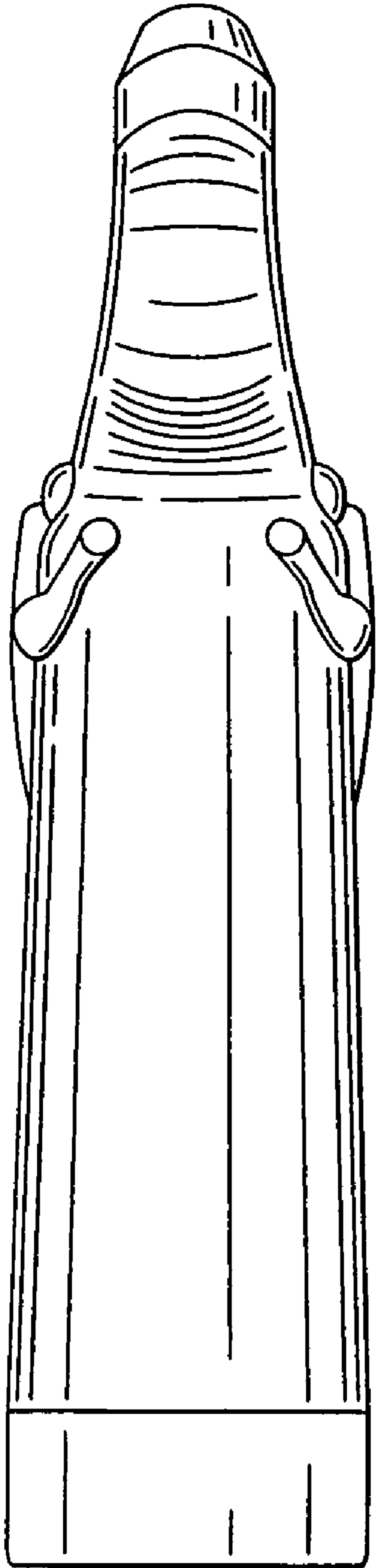


Fig. 8

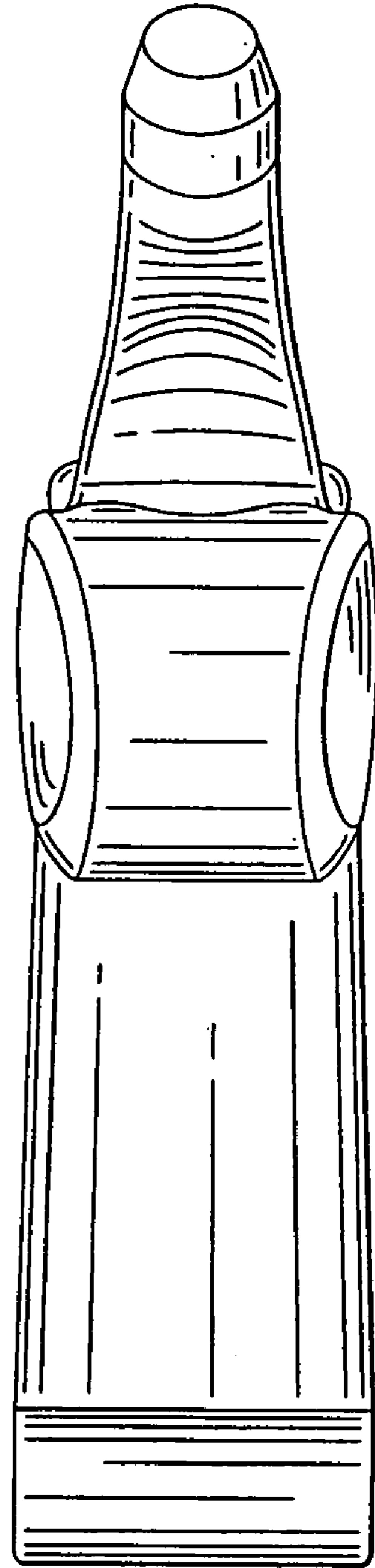


Fig. 9

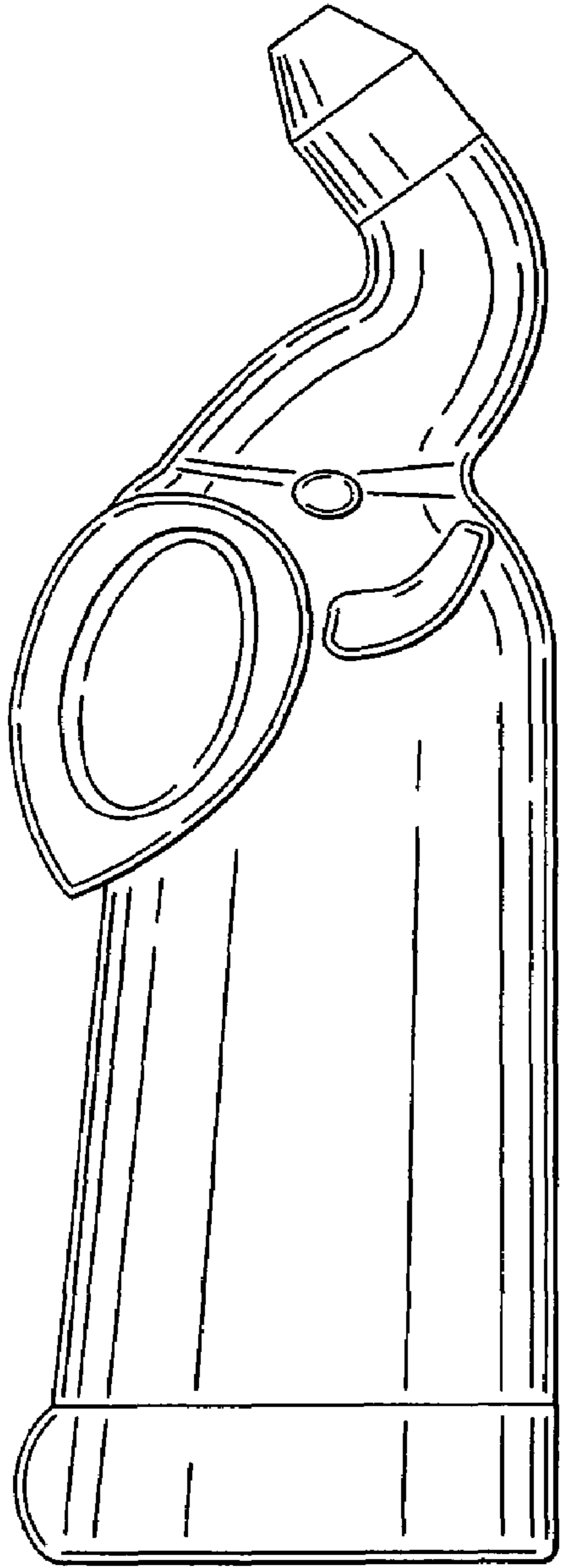


Fig. 10

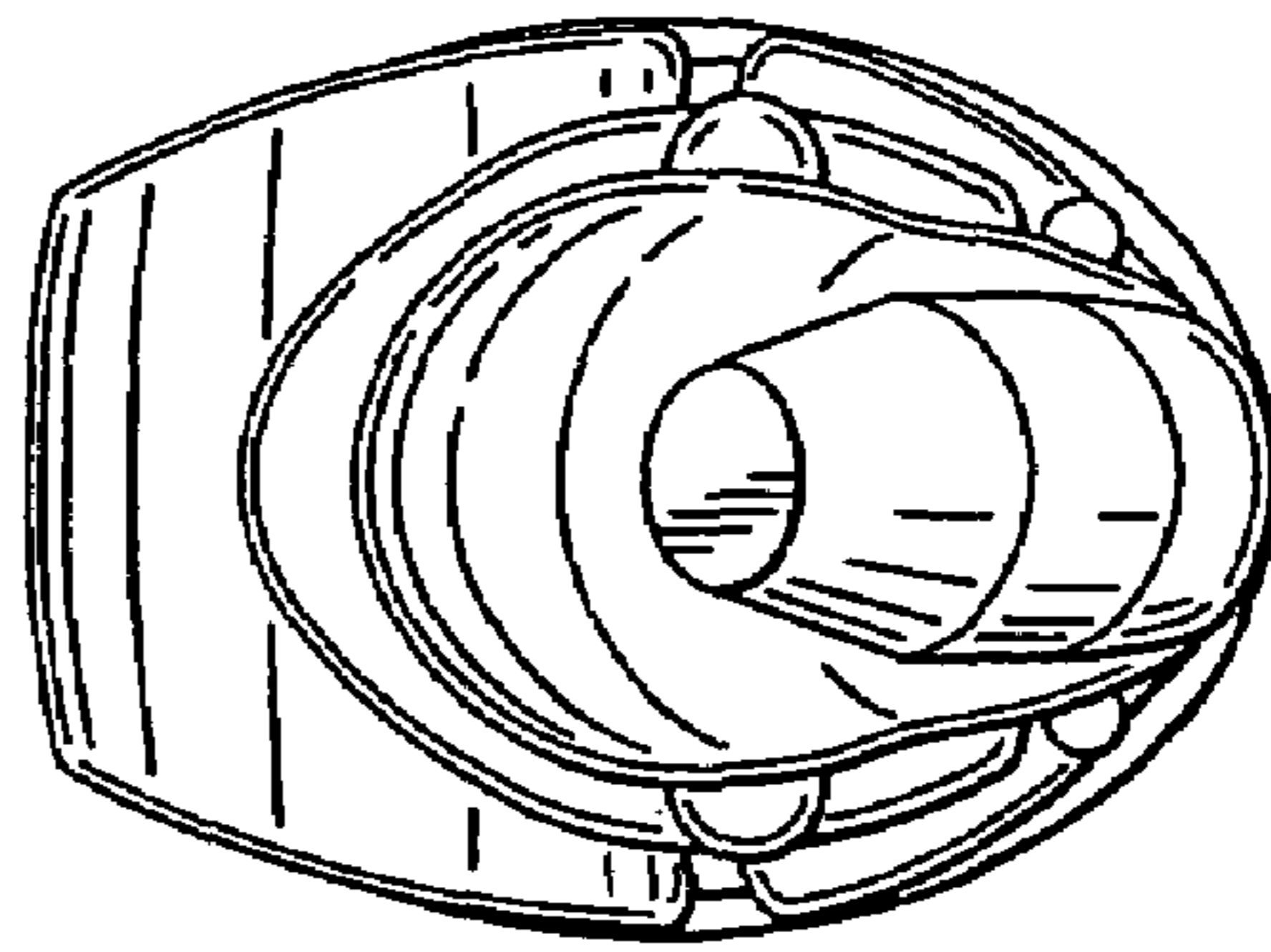


Fig. 11

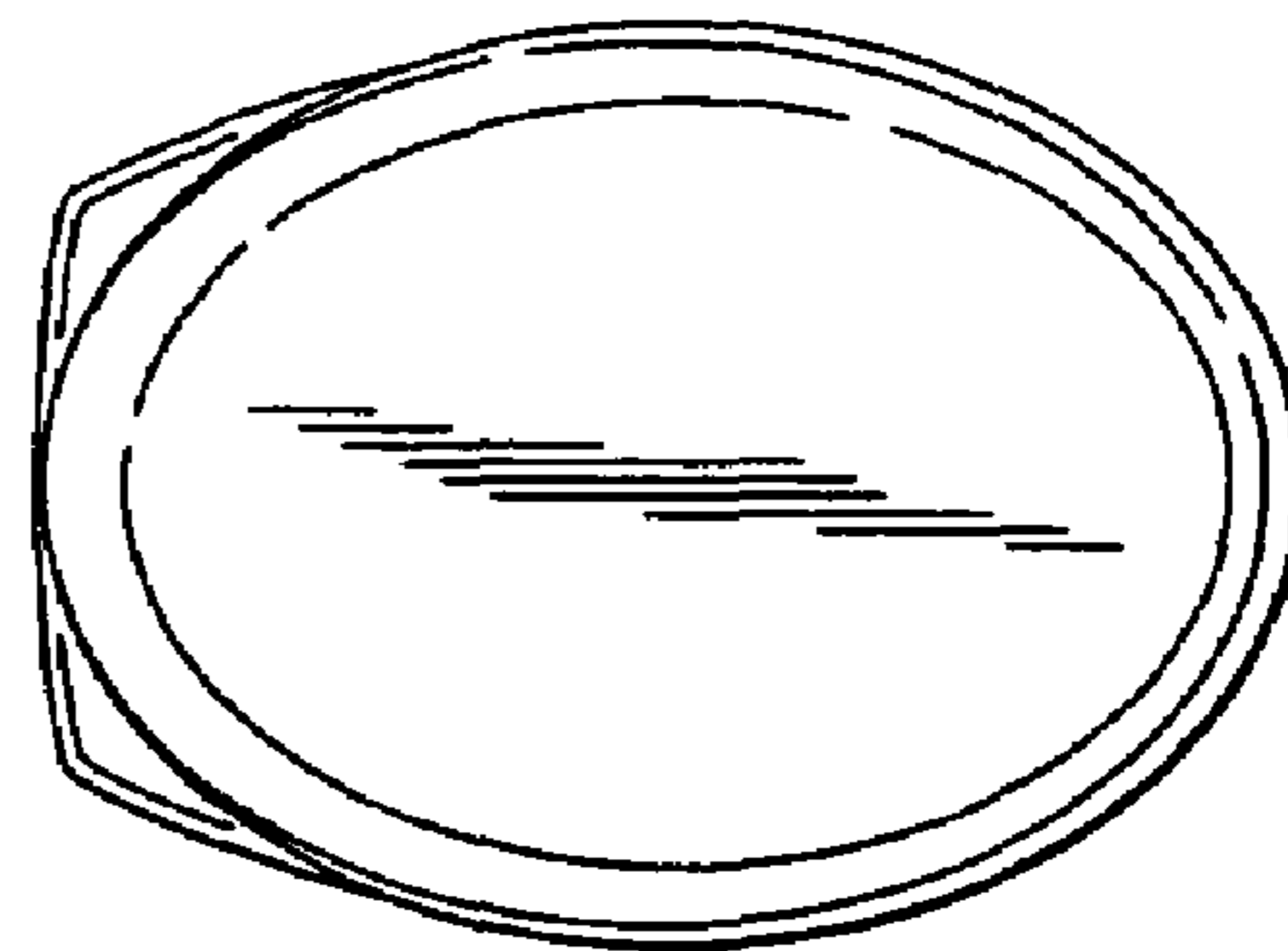


Fig. 12