



US00D554510S

(12) **United States Design Patent**
Dorn

(10) **Patent No.:** **US D554,510 S**

(45) **Date of Patent:** **** Nov. 6, 2007**

(54) **PLASTIC CONTAINER**

(75) Inventor: **James C Dorn**, Norton, OH (US)

(73) Assignee: **Plastipak Packaging, Inc.**, Plymouth, MI (US)

(**) Term: **14 Years**

(21) Appl. No.: **29/268,207**

(22) Filed: **Nov. 1, 2006**

(51) **LOC (8) Cl.** **09-01**

(52) **U.S. Cl.** **D9/523; D9/524; D9/525**

(58) **Field of Classification Search** D9/523,
D9/524, 525, 526, 527, 528, 563, 743, 575;
220/660, 662, 669, 675; 215/381, 382, 383,
215/384, 396, 397

See application file for complete search history.

(56) **References Cited**

U.S. PATENT DOCUMENTS

D194,071 S *	11/1962	Anderson	D9/523
D210,114 S *	2/1968	Gantz	D9/523
D233,414 S *	10/1974	Avolio	D9/523
D266,095 S *	9/1982	Hara	D18/43
D289,376 S *	4/1987	Nemits	D9/523
D295,373 S *	4/1988	Saunders	D9/520
D304,159 S *	10/1989	Kleinert	D9/523
D309,100 S *	7/1990	Beaver	D9/523
D337,946 S *	8/1993	Bridger et al.	D9/523
D349,056 S *	7/1994	Jaramillo	D9/523

D409,090 S *	5/1999	Lai et al.	D9/523
D466,815 S *	12/2002	Sweeton	D9/523
D479,803 S *	9/2003	Alguire et al.	D9/523
D496,278 S *	9/2004	Bertucci et al.	D9/523

* cited by examiner

Primary Examiner—Stella Reid

Assistant Examiner—Elizabeth J. Oswecki

(74) *Attorney, Agent, or Firm*—Robert H. Bachman

(57) **CLAIM**

The ornamental design for a plastic container, as shown and described.

DESCRIPTION

FIG. 1 is a top, front, and left side perspective view of the plastic container showing my new design;

FIG. 2 is a top, front, and right side perspective view thereof;

FIG. 3 is a front elevation view thereof;

FIG. 4 is a rear elevation view thereof;

FIG. 5 is a top plan view thereof;

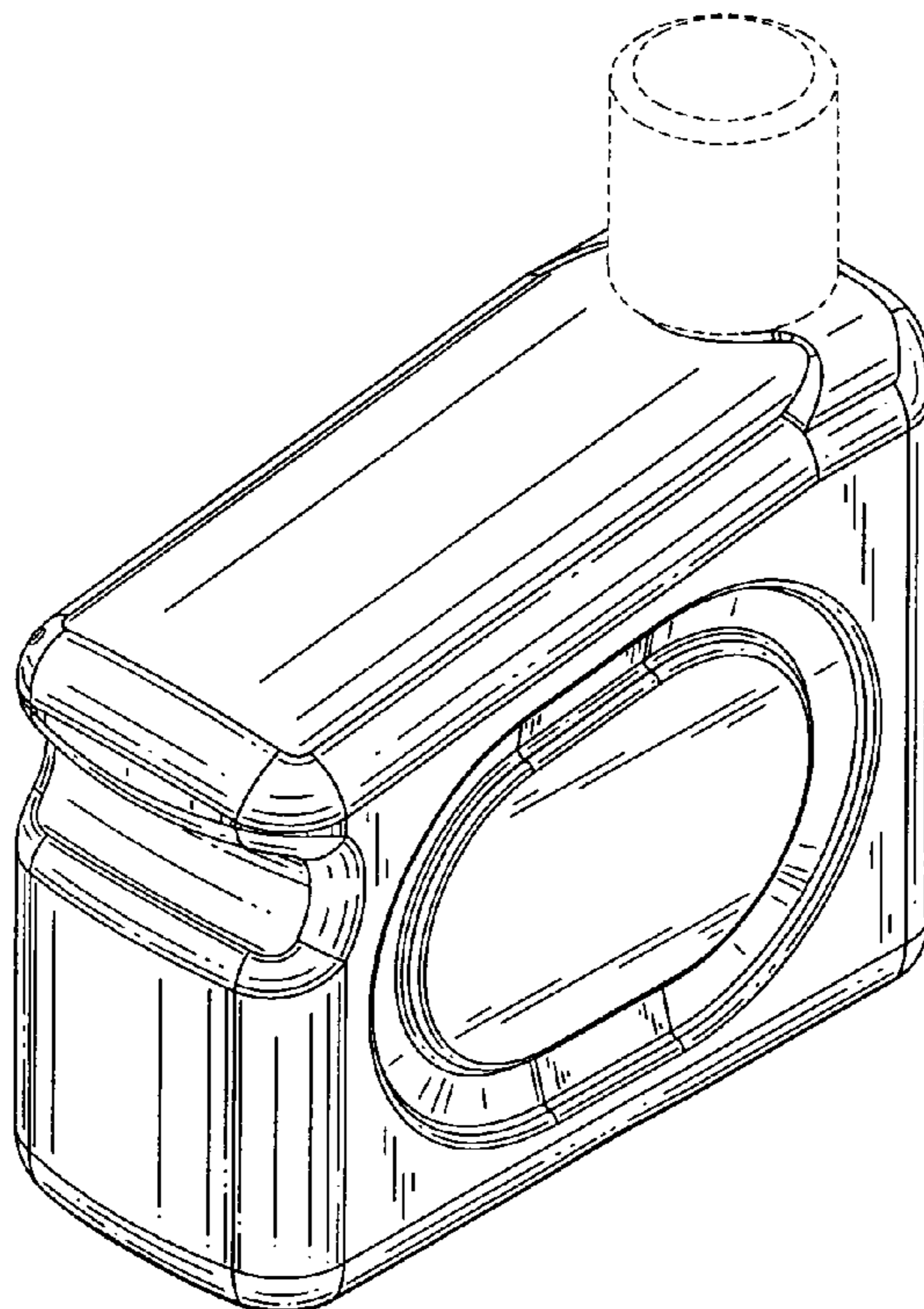
FIG. 6 is a bottom plan view thereof;

FIG. 7 is a right side elevation view thereof; and,

FIG. 8 is a left side elevation view thereof.

The broken lines shown in the drawings are for illustrative purposes only and form no part of the claimed design.

1 Claim, 3 Drawing Sheets



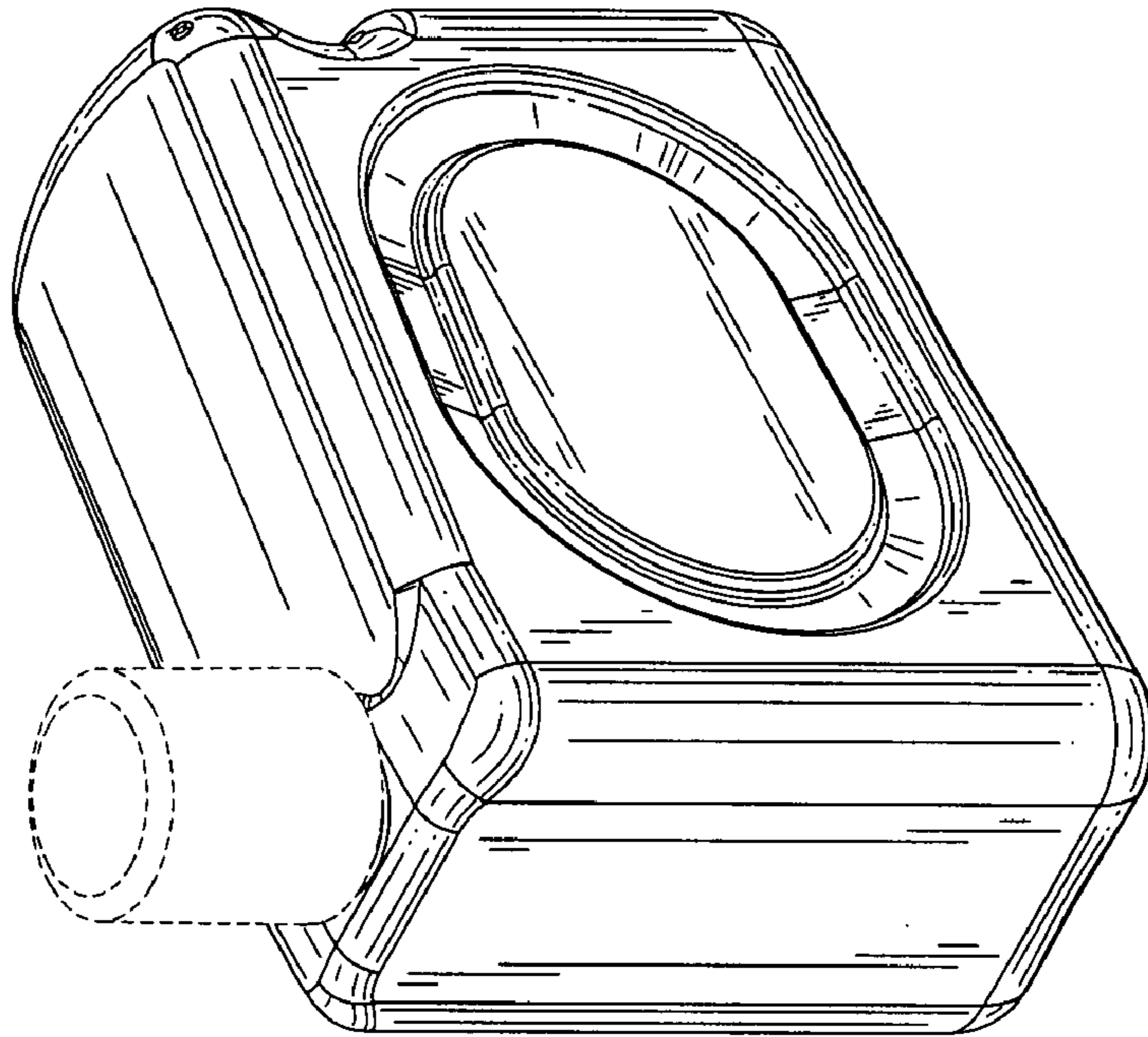


FIG. 2

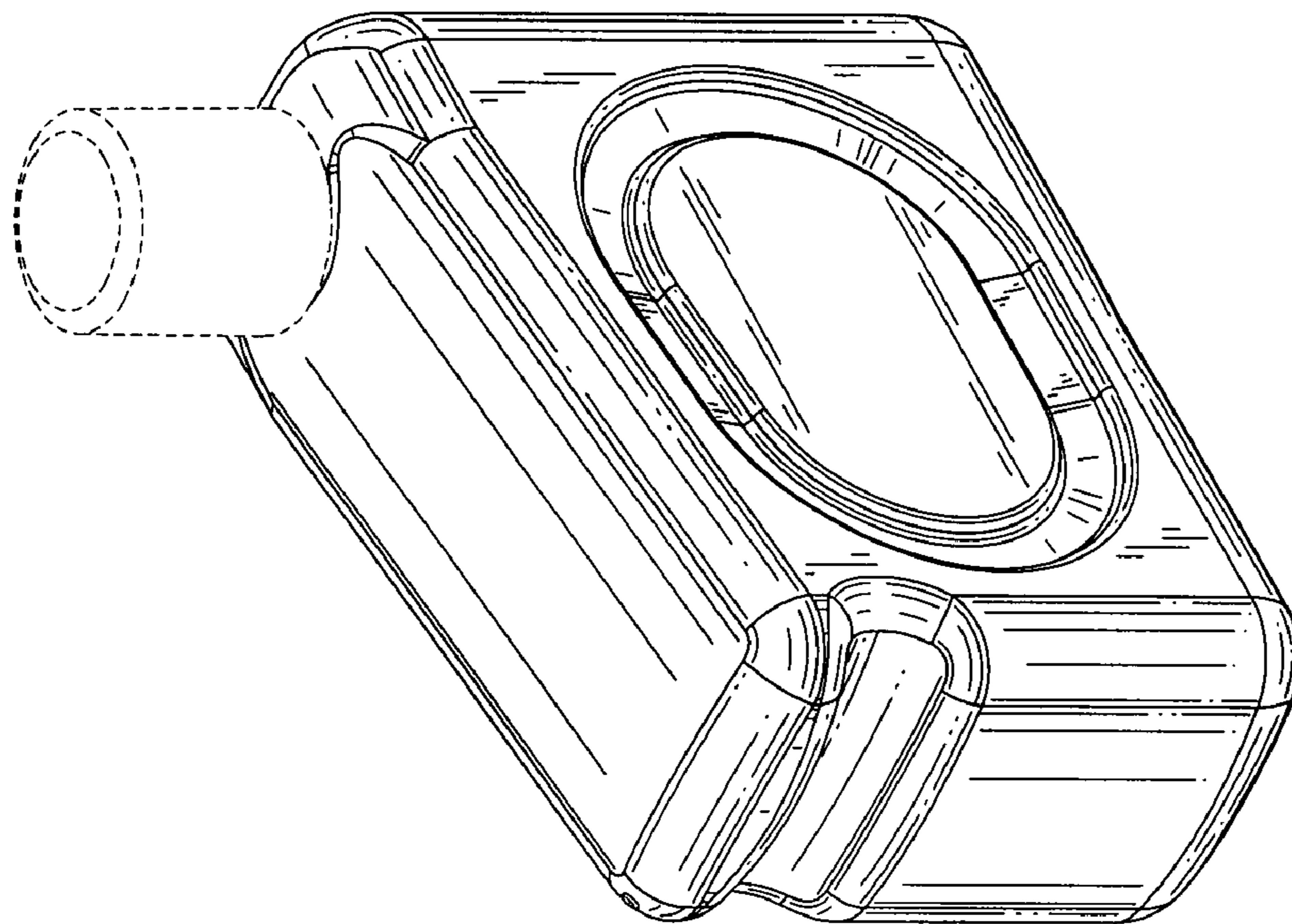


FIG. 1

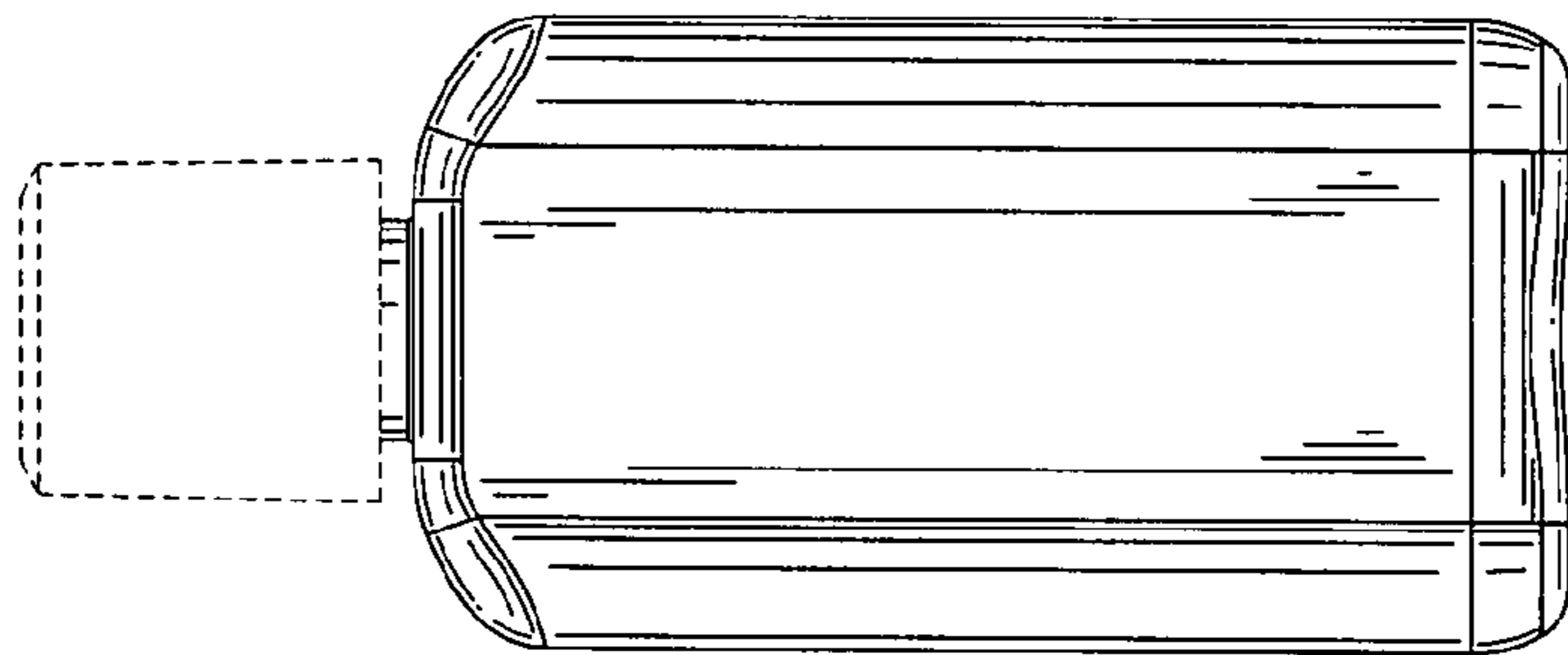


FIG. 3

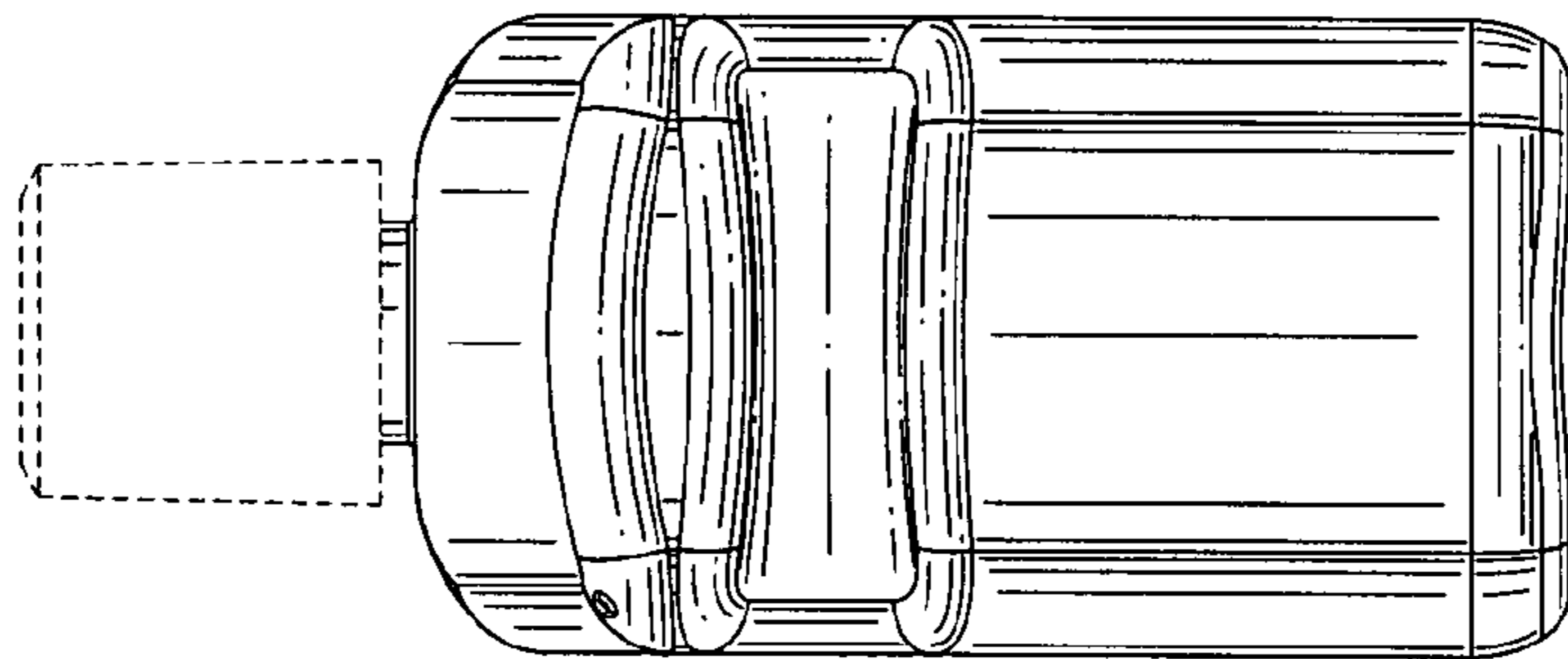


FIG. 4

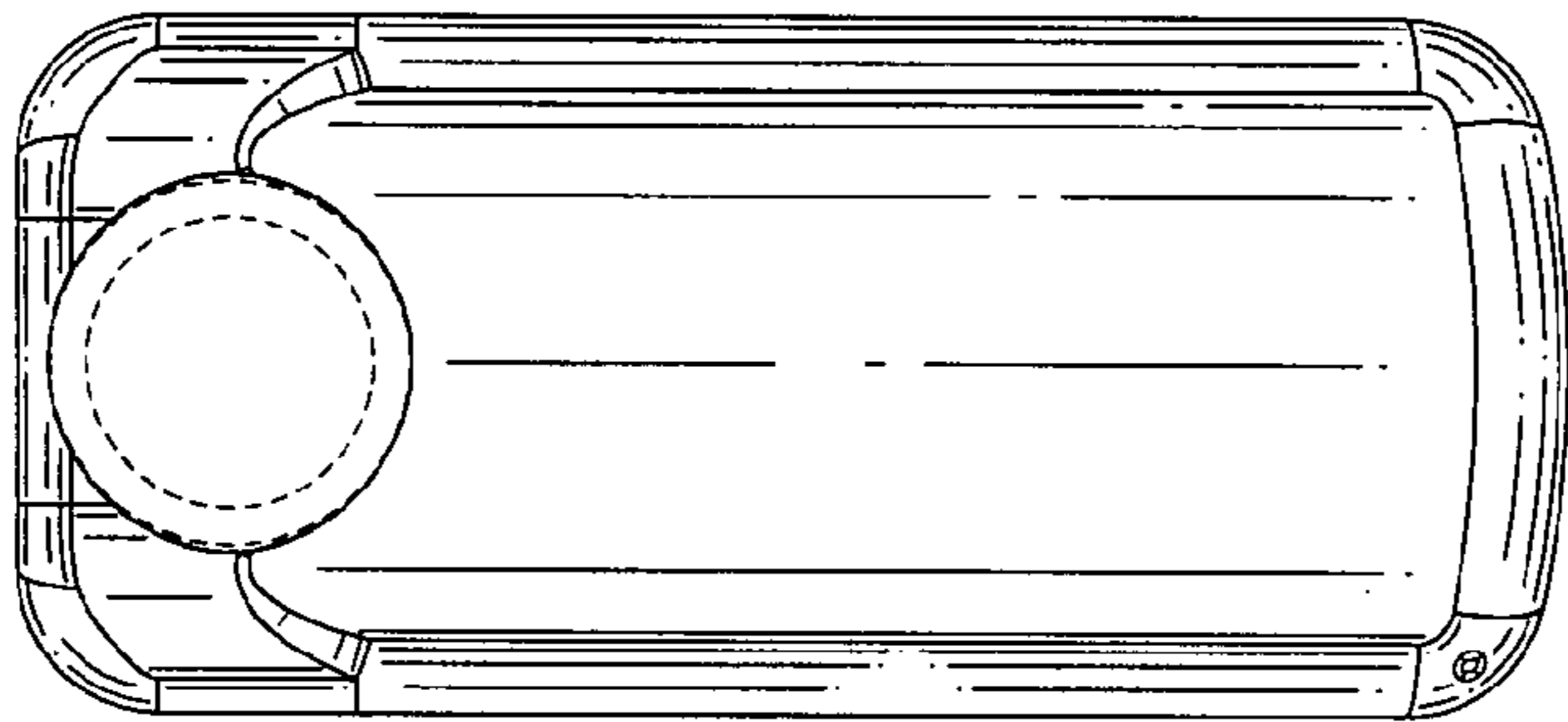


FIG. 5

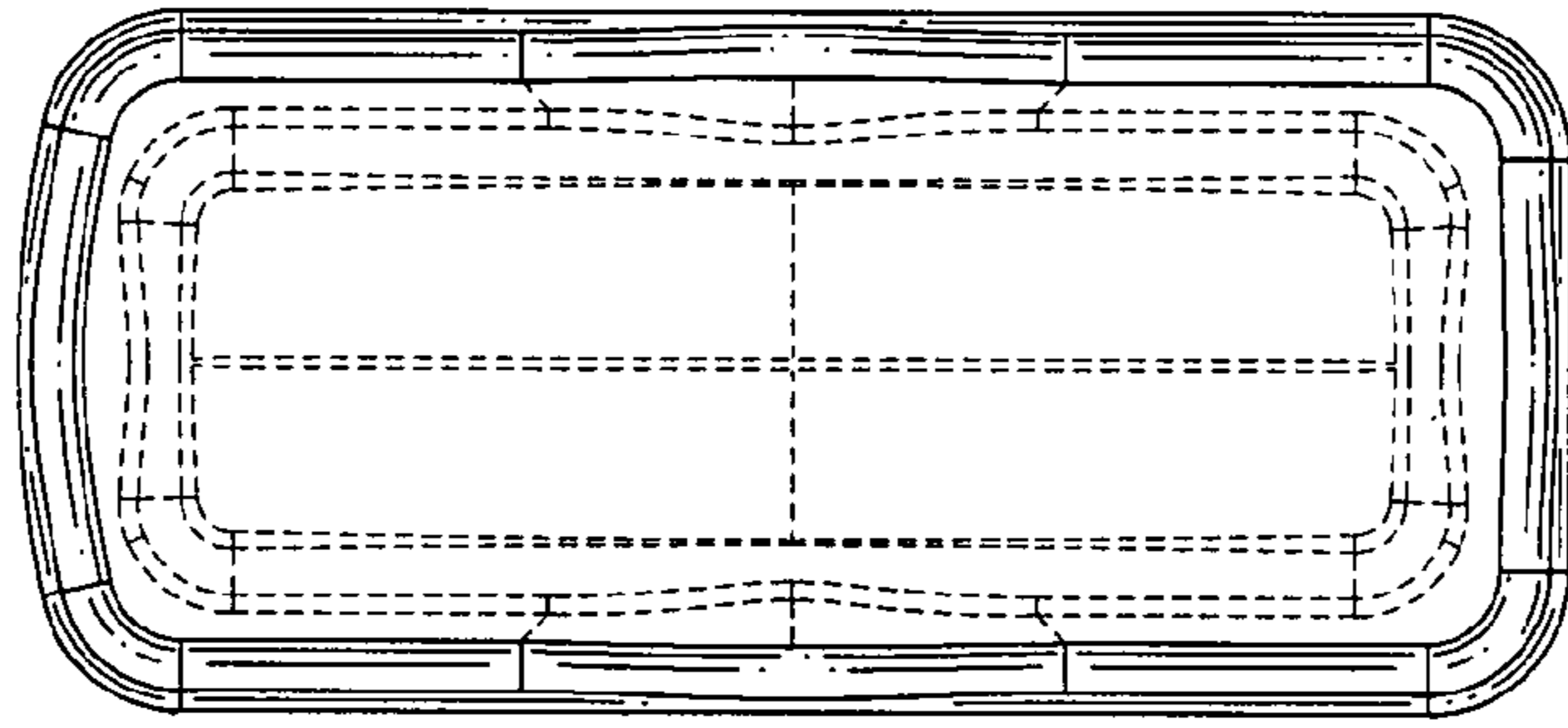


FIG. 6

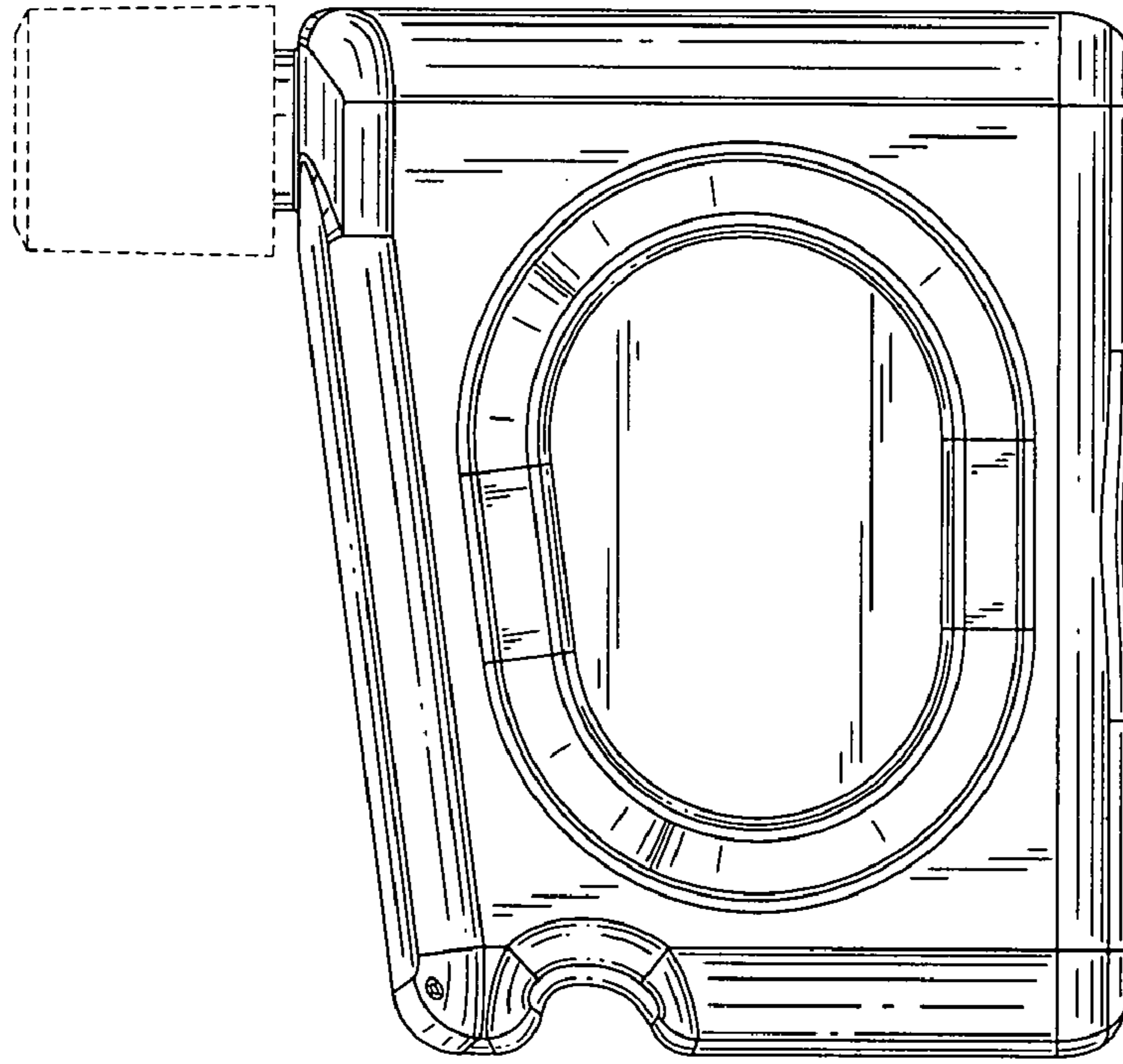


FIG. 8

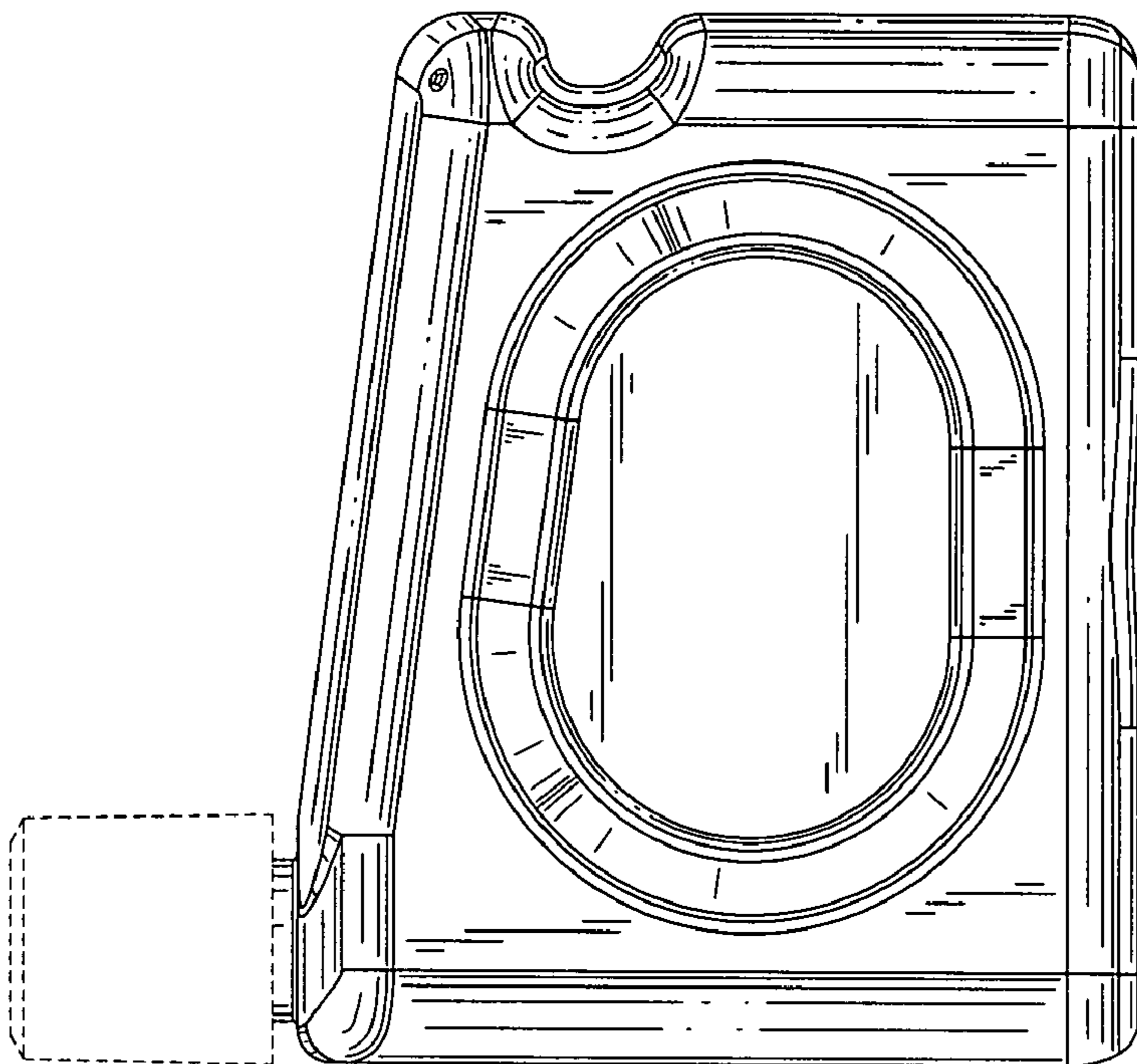


FIG. 7