



US00D554509S

(12) **United States Design Patent**  
**Ghalebi**

(10) **Patent No.:** **US D554,509 S**

(45) **Date of Patent:** **\*\* Nov. 6, 2007**

(54) **CONTAINER**

(76) **Inventor:** **Mehrtosh A. Ghalebi**, 23542 Antonio Pkwy. #C, Rancho Santa Margarita, CA (US) 92688

(\*\*) **Term:** **14 Years**

(21) **Appl. No.:** **29/253,912**

(22) **Filed:** **Feb. 14, 2006**

(51) **LOC (8) Cl.** ..... **09-01**

(52) **U.S. Cl.** ..... **D9/523; D9/520; D9/560; D9/575**

(58) **Field of Classification Search** ..... D9/682-694, D9/516, 520, 523-528, 530, 543, 560, 563-564, D9/570-575, 430-432; 215/381-385, 396, 215/398, 400

See application file for complete search history.

(56) **References Cited**

**U.S. PATENT DOCUMENTS**

2,067,998	A *	1/1937	Williamson	.....	229/116.1
D387,669	S *	12/1997	Beaver	.....	D9/523
D391,847	S *	3/1998	Seo et al.	.....	D9/417
D395,603	S *	6/1998	Harris	.....	D9/523 X
5,915,578	A *	6/1999	Burt	.....	215/250
5,938,107	A *	8/1999	Anchor et al.	.....	229/109
5,988,460	A *	11/1999	Brecheisen et al.	.....	222/572
6,027,016	A *	2/2000	Ljungstrom et al.	.....	229/109
D424,429	S *	5/2000	Anchor et al.	.....	D9/417
6,070,753	A *	6/2000	Hirst et al.	.....	220/674

D439,519	S *	3/2001	Ruble et al.	.....	D9/523
D454,308	S *	3/2002	Scheida	.....	D9/523
D473,464	S *	4/2003	Anchor et al.	.....	D9/432
D480,966	S *	10/2003	Iwano	.....	D9/432
D494,861	S *	8/2004	Guidotti et al.	.....	D9/431
D518,371	S *	4/2006	Franic	.....	D9/431

\* cited by examiner

*Primary Examiner*—Carol Rademaker

(74) *Attorney, Agent, or Firm*—Stetina Brunda Garred & Brucker

(57) **CLAIM**

The ornamental design for a container, as shown and described.

**DESCRIPTION**

FIG. 1 is a top, front, and left side perspective view of a container showing the new design;

FIG. 2 is a front elevational view thereof, shown at a reduced scale;

FIG. 3 is a right side elevational view thereof;

FIG. 4 is a left side elevational view thereof;

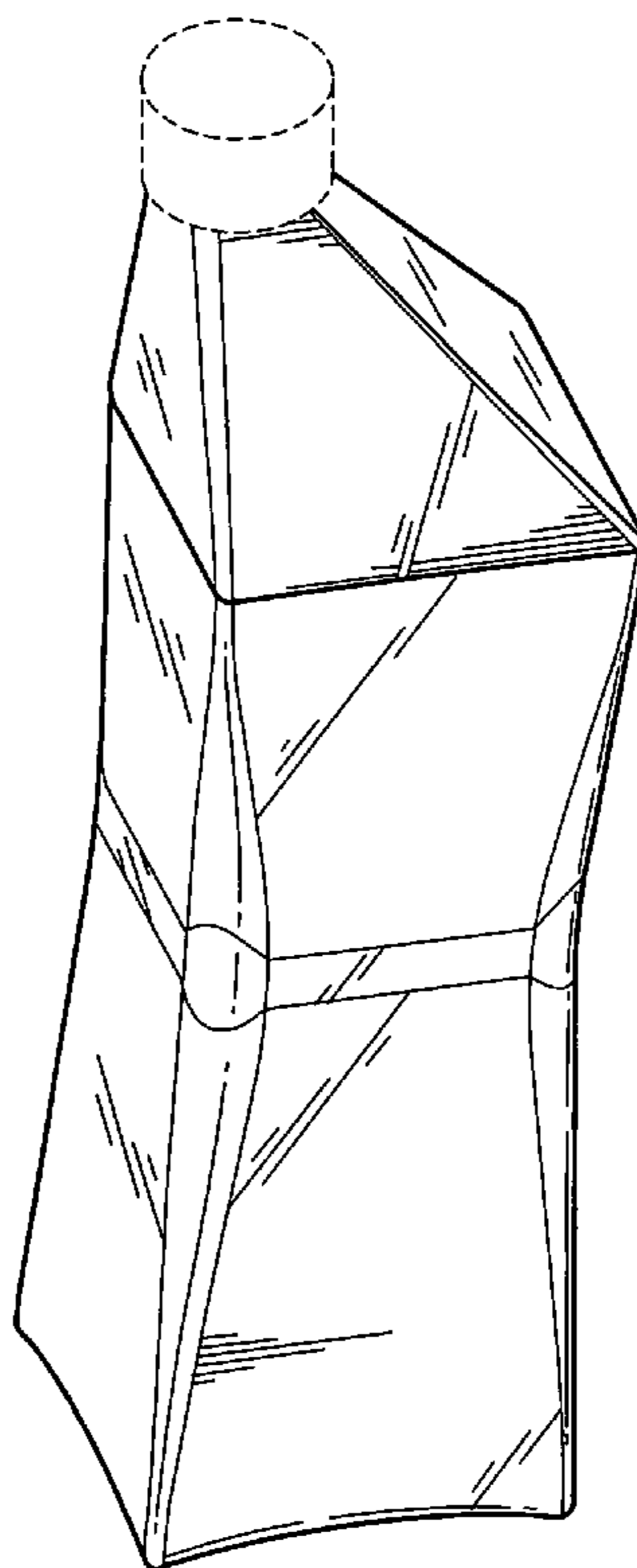
FIG. 5 is a back elevational view thereof; and

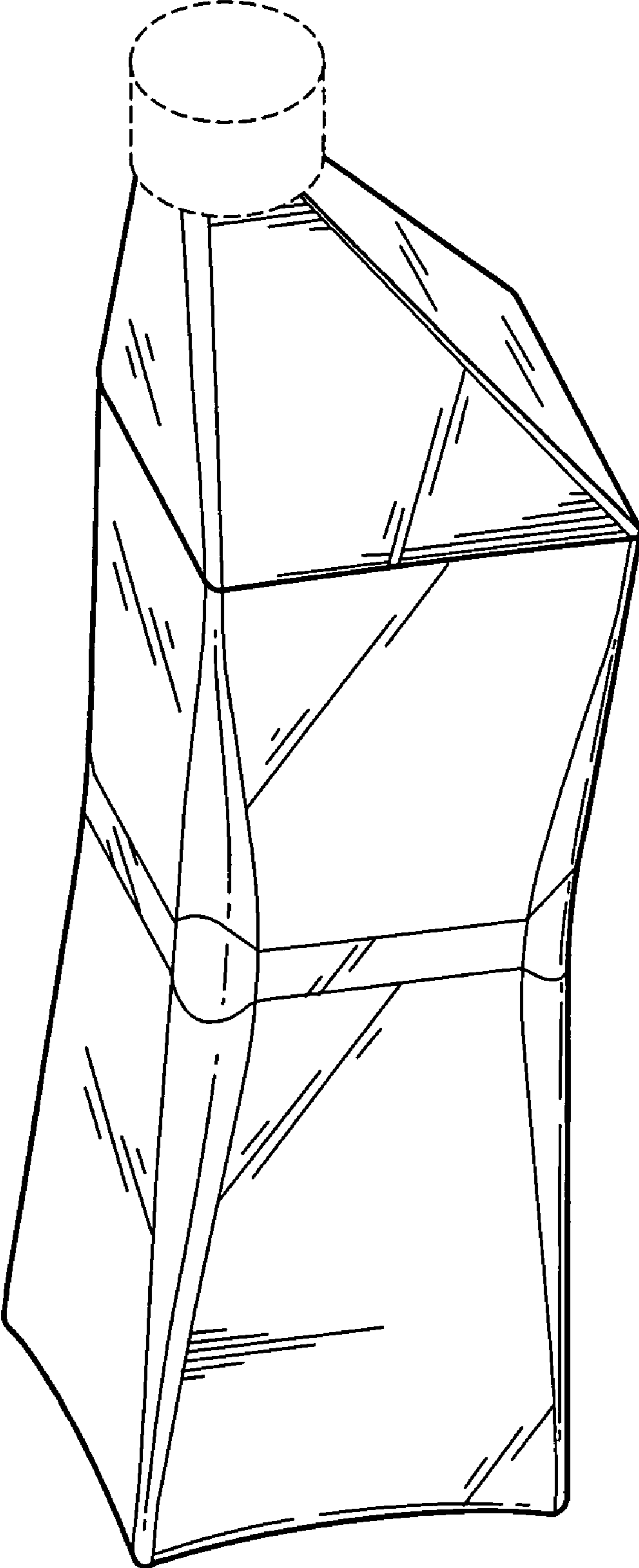
FIG. 6 is a top plan view thereof; and,

FIG. 7 is a bottom plan view thereof.

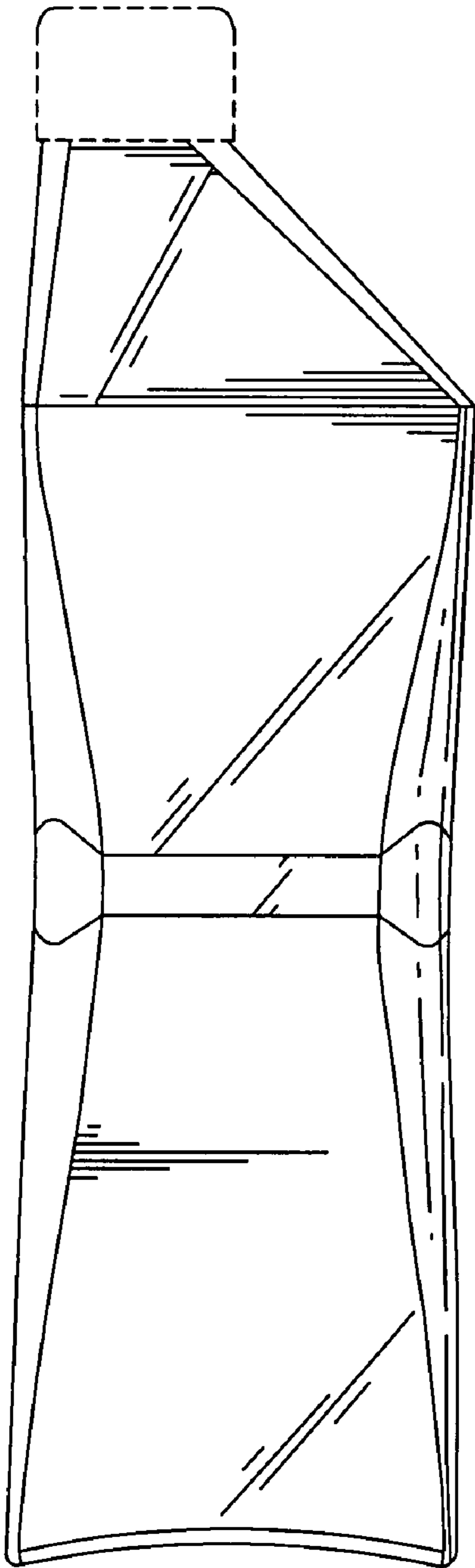
The broken lines shown in the drawings are for illustrative purposes only and form no part of the claimed design.

**1 Claim, 4 Drawing Sheets**

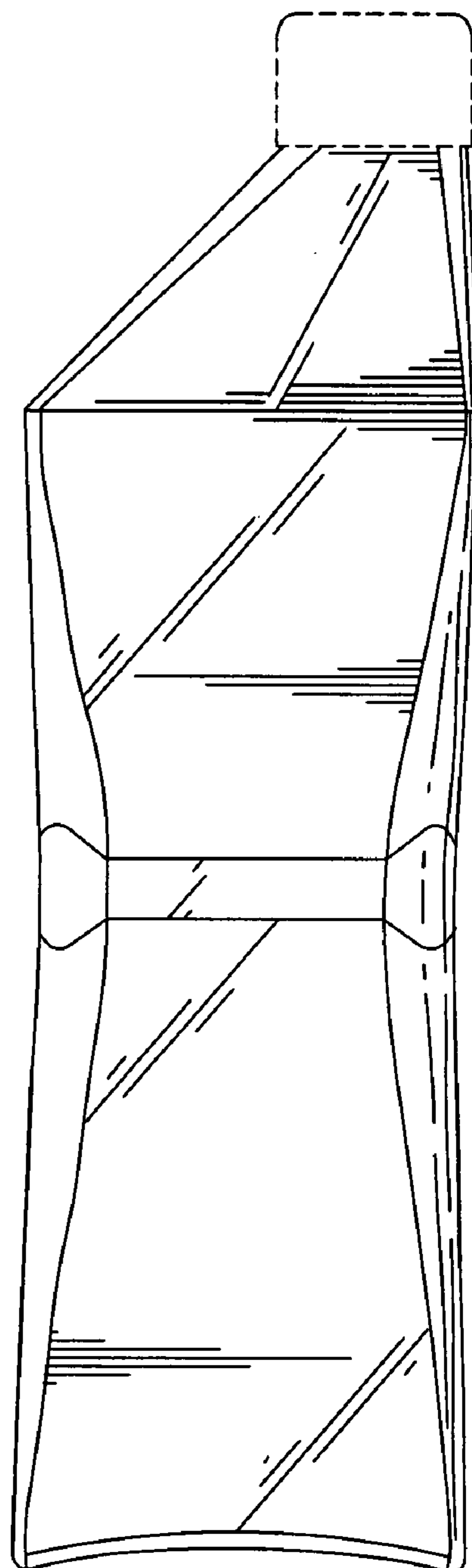




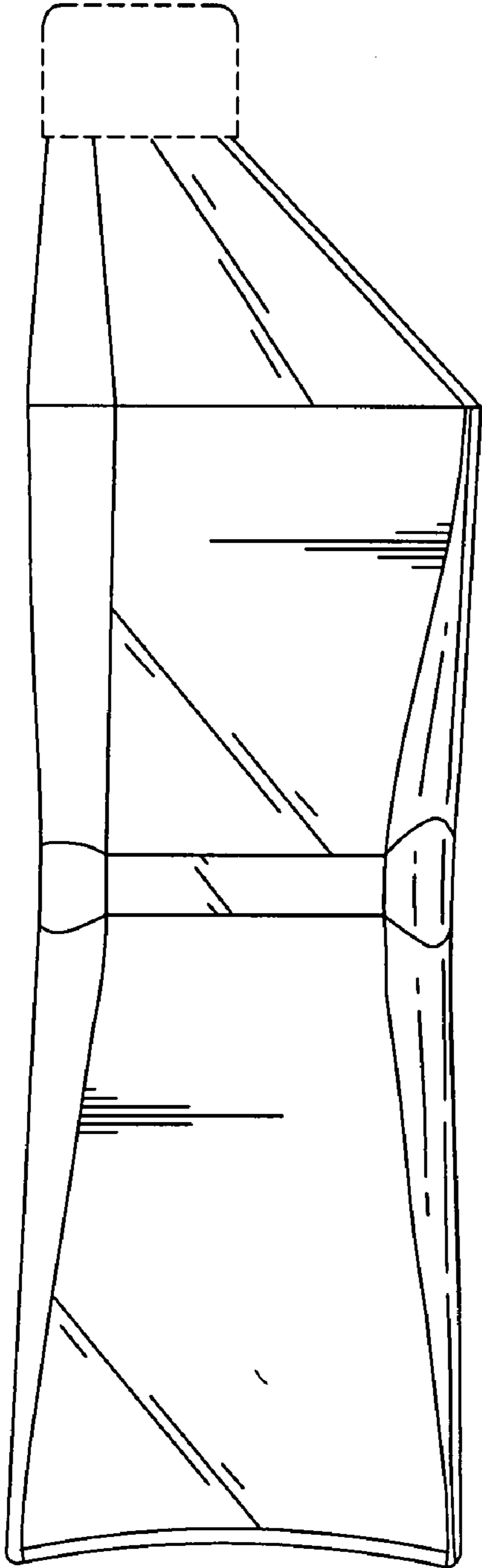
**FIG. 1**



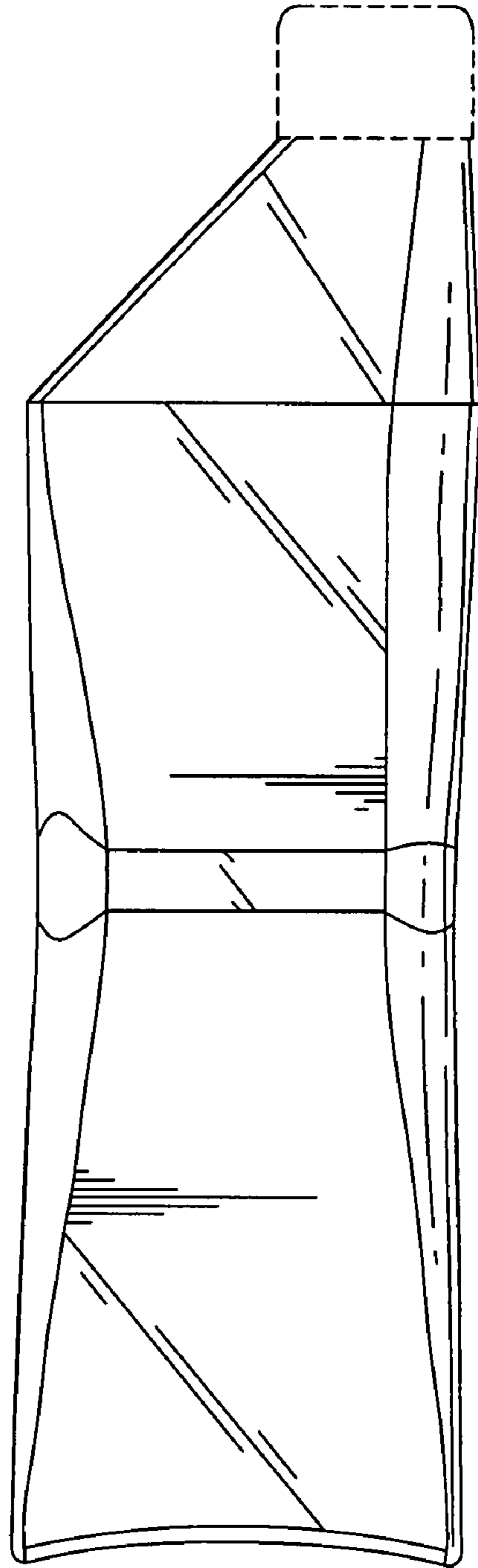
**FIG. 2**



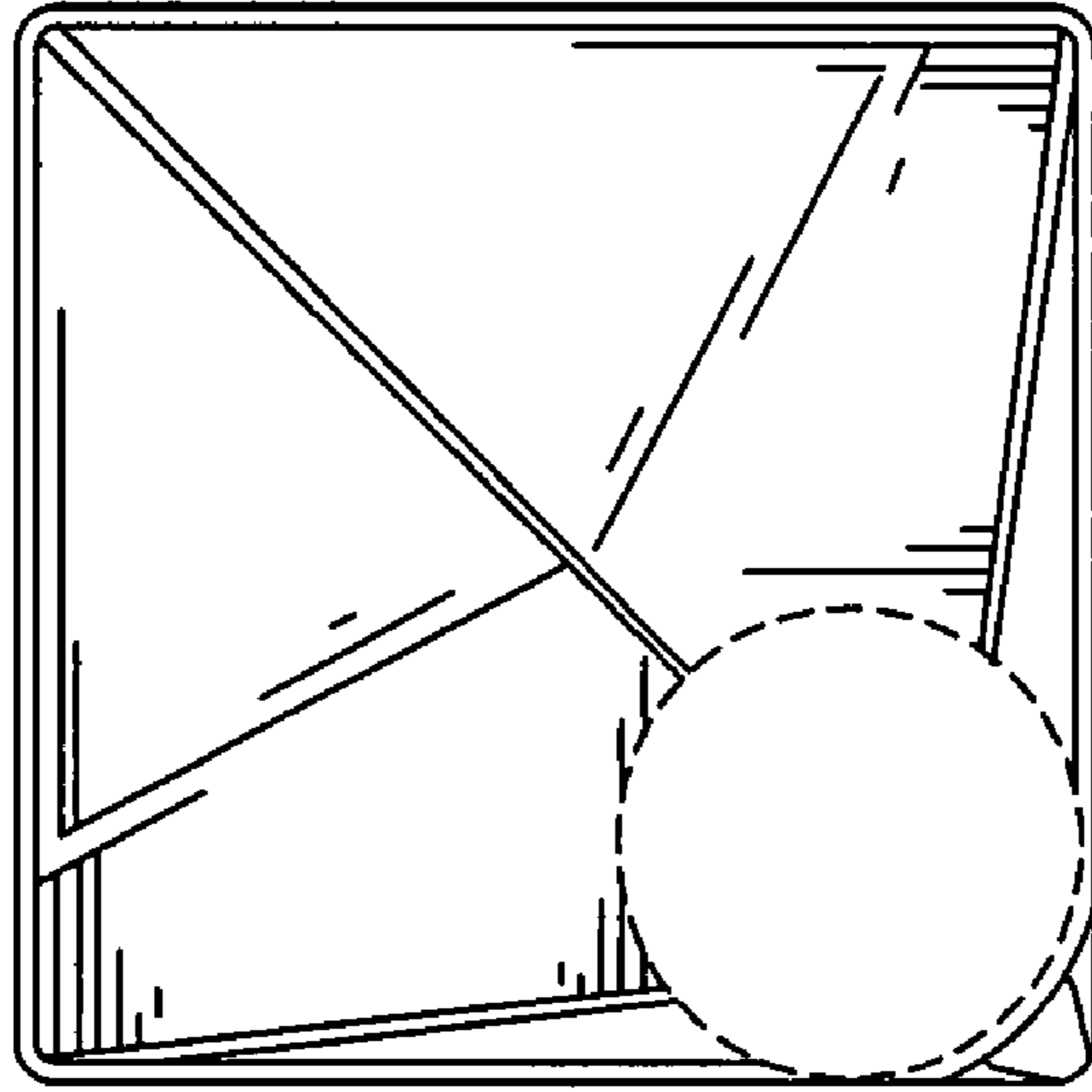
**FIG. 3**



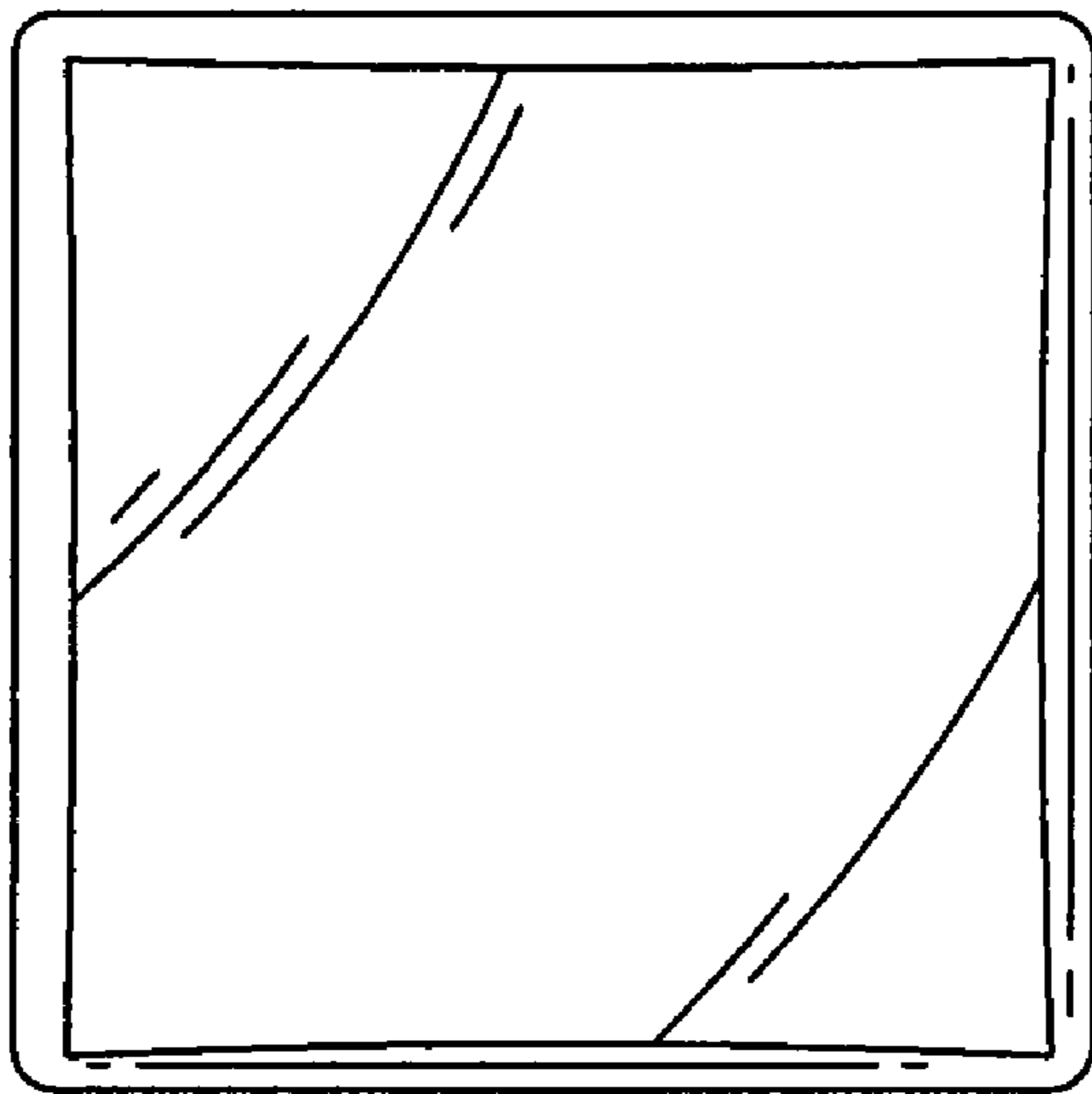
**FIG. 4**



**FIG. 5**



**FIG. 6**



**FIG. 7**